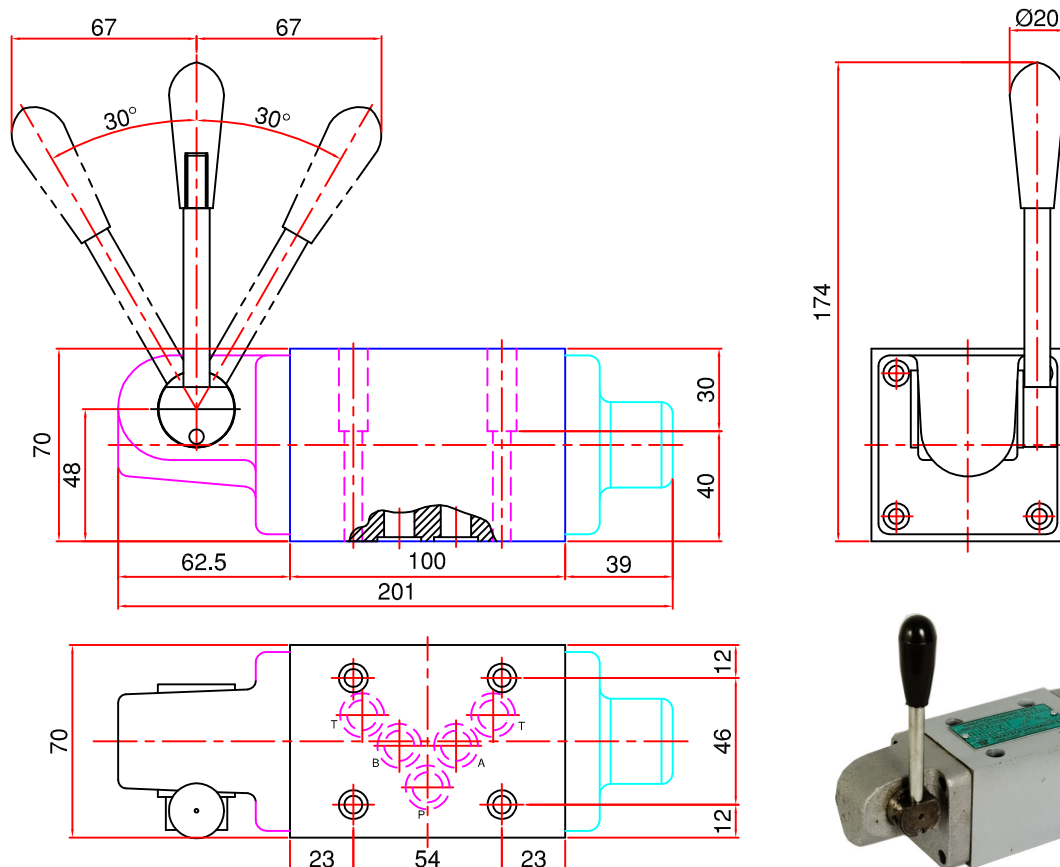


# JACKTECH Lever Operated Direction Control Valves

## 1. Unit Dimensions



## 2. Description.

- A. Completely encapsulate mechanism for protection against dirt.
- B. Five chamber design for better reductions in dynamic forces and longer valve life.
- C. Available as spring centered, spring off-set or detented model.
- D. Operating head can be rotated by 90° degree X 4 around spool axis for flexibility in mounting.
- E. Valve mounting interface conforms to international and National Standards.

## 3. Technical Specifications.

- Construction.....Spool type
- Mounting type.....Subplate mounting interface.
- Mounting position.....Optional.
- Flow direction .....As per spool type.
- Operating Pressure
  - For ports P,A & B.....315 Bar.
  - For port T.....100 bar.
- Hydraulic medium.....Mineral oil
- Viscosity range.....10 Cst to 380 Cst
- Fulid temperature range.....-20° to +70° degree C°
- Nominal flow handling capacity.....32 LPM. (at 68 Cst & 1 Bar pressure droop).
- Maximum flow handling capacity.....100 LPM.
- MASS.....5.6 KG APPROX (Threaded & subplate body)

