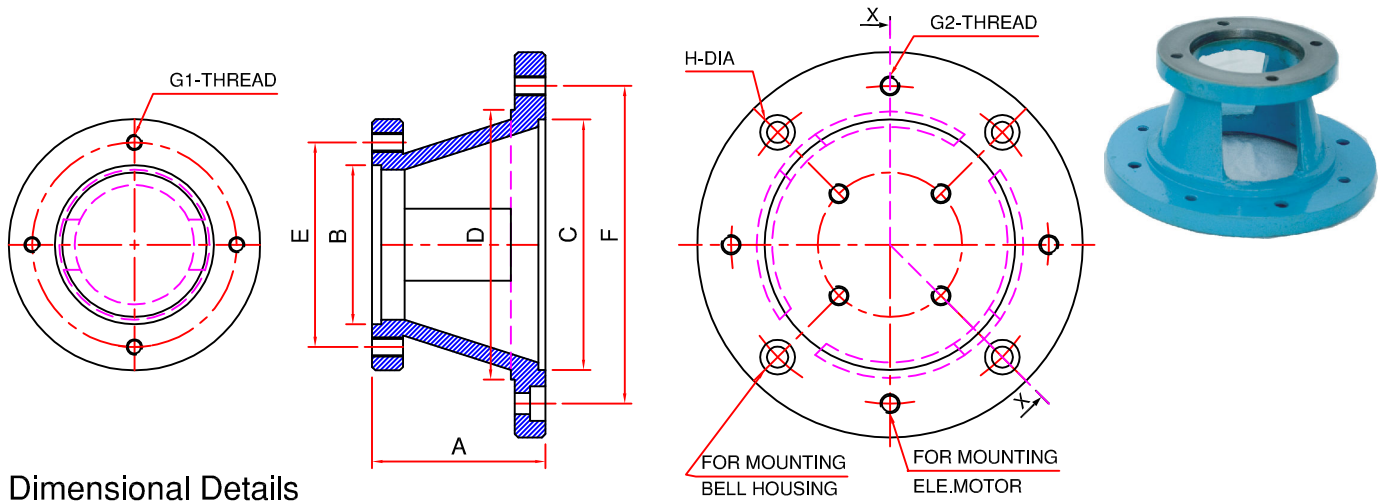


JACKTECH BELL HOUSING FOR GEAR PUMP



Dimensional Details

FRAME	HP	A	B	C	D	E	F	G1	G2	H
71	0.5	75	82.6	110	115	106.2	130	M10	M8	8.5
80L	0.75,1	80	82.6	130	140	106.2	165	M10	M10	8.5
90S/L	1.5,2	100 122	82.6 101.6	130	140	106.2 145.9	165	M10	M10	10.5
100L / 112M	3,5	110 122	82.6	180	180	106.2	215	M10	M12	10.5
100L / 112M	3,5	145	101.6 127	180	180	145.9 180.8	215	M12 M16	M12	10.5
132S/M	7.5,10	145 170	82.6	230	230	106.2	265	M10	M12	10.5
132S/M	7.5,10	170	101.6 127	230	230	145.9 180.8	265	M12 M16	M12	10.5
160M/L-180M/L	12.5,15,20,25,30	200	82.6	250	250	106.2	300	M10	M16	10.5
160M/L-180M/L	12.5,15,20,25,30	200	101.6 127	250	250	145.9 180.8	300	M12 M16	M16	10.5
200 L	40	210	101.6 127	300	300	145.9 180.8	350	M12 M16	M16	10.5
225 S / M	50 , 60	240	101.6 127	350	300	145.9 180.8	400	M12 M16	M16	13

ORDER CODE:

