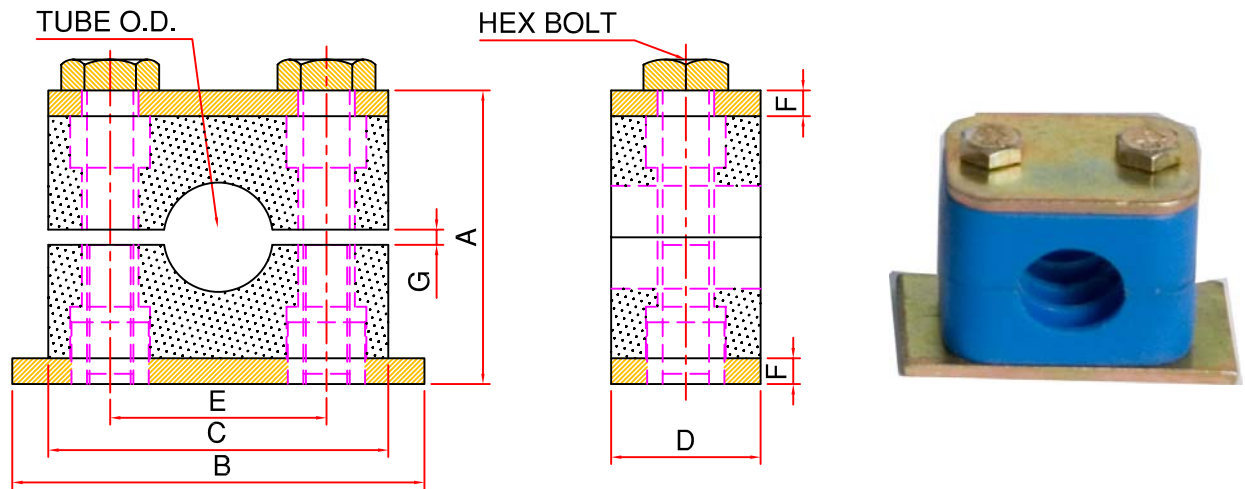


JACKTECH Light Duty Pipe Clamp



Light duty pipe clamps are made out from polypropylene material. polypropylene material having good strength and mild steel plates. This pipe clamps are more suitable where Hydraulics pipe lines are required to be straight in short following ranges as well as long length. pipe clamps are available in following ranges.

ORD.CODE	TUBE O.D.	A	B	C	D	E	F	G	HEX BOLT
PCS 06	6	31	45	35	30	20	3	1	M6 X 30
PCS 08	8								
PCS 10	10								
PCS 12	12	37	55	40	30	26.5	3	1.5	M6 X 35
PCS 14	14								
PCS 15	15								
PCS 16	16								
PCS 18	18	41	60	48	30	33	3	1.5	M6 X 40
PCS 20	20								
PCS 22	22								
PCS 25	25	48	65	55	30	40	3.5	2	M6 X 45
PCS 28	28								
PCS 30	30								
PCS 33	33	58	76	68	30	52	3.5	2.5	M6 X 55
PCS 35	35								
PCS 38	38								
PCS 42	42								