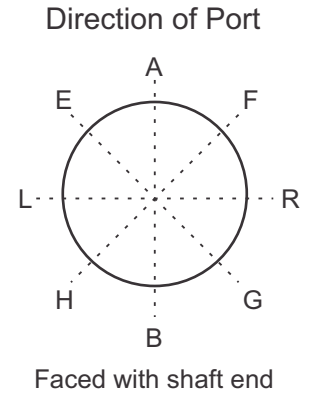
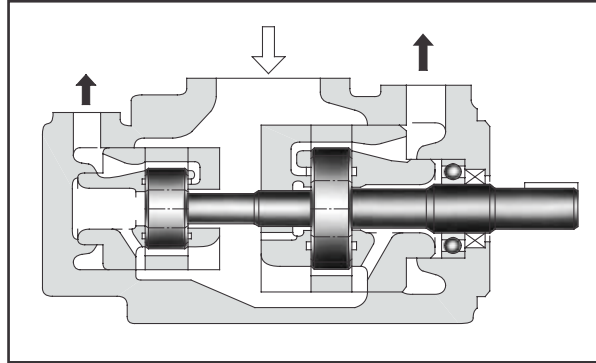
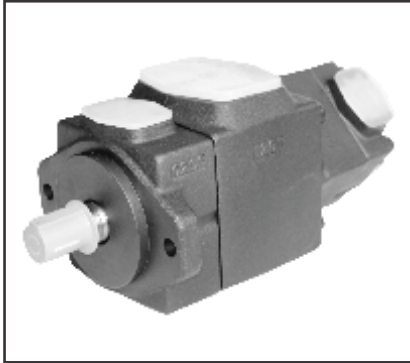


H-VP Series High Performance Low noise vane pumps

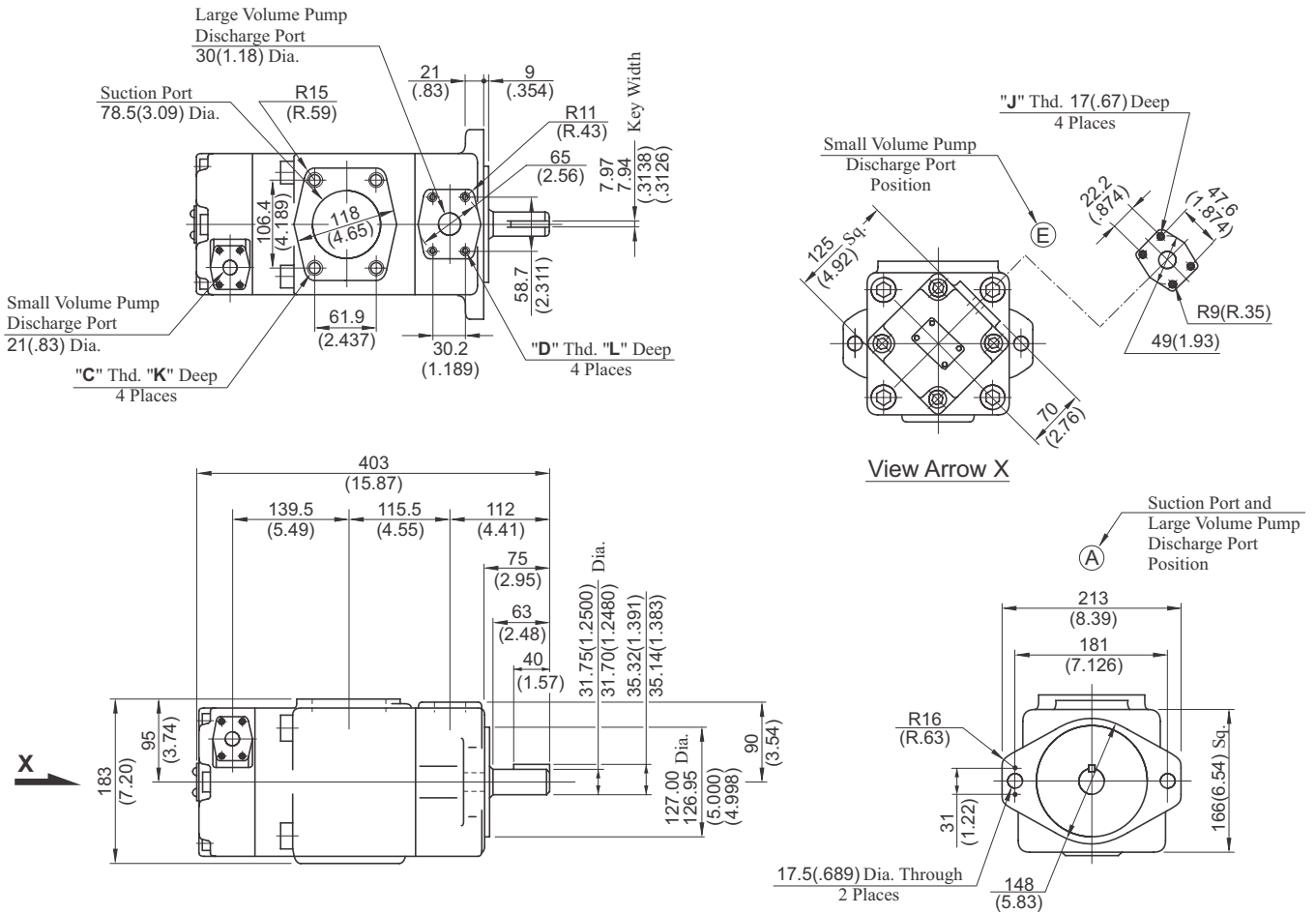
DOUBLE PUMPS



ORDERING CODE

F-	H-VP1020	-6	-65	A	A	A	-R	-60	
Special Seals	Series Number	Small Volume Pump Nominal Displacement cm ³ /rev	Large Volume Pump Nominal Displacement cm ³ /rev	Small Volume Pump Discharge Port Position	Large Volume Pump Discharge Port Position	Suction Port Position	Direction of Rotation	Design Number	
F: Special seals for phosphate ester type fluids (Omit if not required)	H-VP1020	4, 6, 8 10, 12 14, 17 19, 23 25, 28, 31	26, 33 41, 47 53, 59 65	(Viewed from Shaft End)			A: Upwards (Normal)	A: Upwards (Normal)	60
	H-VP1030	4, 6, 8 10, 12 14, 17 19, 23 25, 28, 31	52, 60, 66 76, 94 116, 125 136, 153	A: Upwards (Normal)	60				
	H-VP2030	26, 33 41, 47 53, 59 65	52, 60, 66 76, 94 116, 125 136, 153	E: Left 45 Upwards (Normal)	60				
	H-VP3030	52, 60, 66 76, 94, 116, 125, 136, 153	52, 60, 66 76, 94, 116, 125, 136, 153	A: Upwards (Normal)	60				
	H-VP1040	4, 6, 8 10, 12 14, 17 19, 23 25, 28, 31	136, 153 184, 200 237	A: Upwards (Normal)	60				
	H-VP2040	26, 33 41, 47 53, 59, 65		L: Anti Clockwise	60				
	H-VP3040	52, 60, 66 76, 94, 116, 125, 136, 153		E: Left 45 Upwards (Normal)	60				

H-VP2030 (Flange Mount)



Model Numbers	"C" Thd.	"D" Thd.	"E" Thd.	Dimensions mm (Inches)	
				K	L
H-VP2030 (Flange Mount)	M16	M10	M10	19 (.75)	19 (.75)

Model Numbers	Approx. Weight (kg)
H-VP2030	51.1

Specifications

Model Numbers	Nominal Displacement cm ³ /rev	Max. Operating Pressure MPa (PSI)					
		Petroleum Base Oils		Water Containing Fluids			Synthetic Fluids
		Anti-Wear Type	R & O Type	Anti-Wear Type Water Glycols	Water Glycols	Water in Oil Emulsions	Phosphate Esters
26	25.3	21 (3050)	14 (2030)	16 (2320)	7 (1020)	7 (1020)	14 (2030)
33	32.3						
41	39.8						
47	49.8						
53	51.5						
59	55.8						
65	63.7	21 (3050)	14 (2030)	16 (2320)	7 (1020)	7 (1020)	14 (2030)
52	51.5						
60	63.7						
66	66.6						
76	75.5						
94	89.5						
116	118	16 (2320)					
125	122.2						
136	136						
153	153						