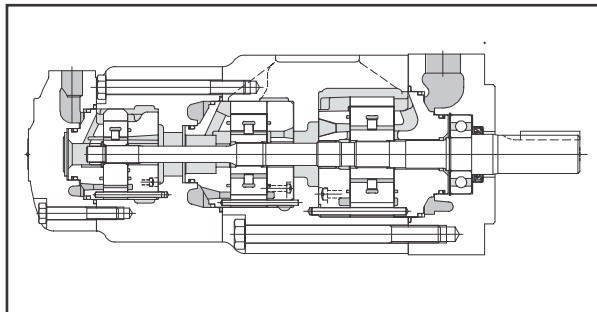


H-SQP Series Low noise fixed displacement vane pumps

TRIPLE PUMPS



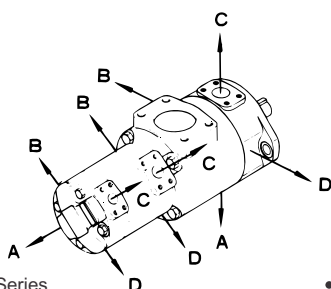
ORDERING CODE

(F3) - H-SQP432 - 60 - 38 - 15 - 86 C C C - (LH) - 18

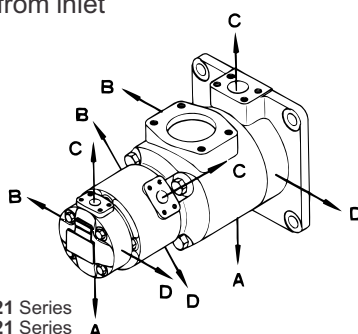
- 1 2 3 4 5 6 7 8 9 10 11

- 1** Fluid
Omit for mineral oil
F3: phosphate ester
F11: water glycol
- 2** Low noise fixed displ. triple vane pump
H-SQP211 Series
H-SQP311,321 Series
H-SQP421,431,432 Series
- 3** Shaft end pump displacement
- | Series | Displacement |
|----------|----------------------|
| H-SQP2** | 10,12,14,15,17,19,21 |
| H-SQP3** | 21,25,30,32,35,38,45 |
| H-SQP4** | 42,45,50,57,60,66,75 |
- 4** Middle pump displacement
- | Series | Displacement |
|----------|--------------------------|
| H-SQP*1* | 2,3,4,5,6,7,8,9,11,12,14 |
| H-SQP*2* | 10,12,14,15,17,19,21 |
| H-SQP*3* | 21,25,30,32,35,38,45 |
- 5** Cover end pump displacement
- | Series | Displacement |
|----------|----------------------------------|
| H-SQP**1 | 2,3,4,5,6,7,8,(9),(11),(12),(14) |
| H-SQP**2 | 10,12,14,15,17,19,21 |
- 6** Shaft
86: parallel sq. key
- 7** Shaft end pump outlet position(viewed from cover end)
A: opposite inlet C: inline with inlet
B: 90' CCW from inlet D: 90' CW from inlet

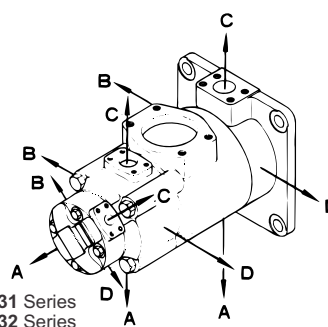
- 8** Middle pump outlet position(viewed from cover end)
SQP211,311,321,421
A: 135' CCW from inlet
B: 45' CCW from inlet
C: 45' CW from inlet
D: 135' CW from inlet
SQP431 ,432
A: opposite inlet
B: 90' CCW from inlet
C: inline with inlet
D: 90' CW from inlet
- 9** Cover end pump outlet position(viewed from cover end)
SQP211,311,431,432
A: 135' CCW from inlet
B: 45' CCW from inlet
C: 45' CW from inlet
D: 135' CW from inlet
SQP321,421
A: opposite inlet
B: 90' CCW from inlet
C: inlet with inlet
D: 90' CW from inlet
- 10** Rotation (viewed from shaft end)
Omit for CW
LH: CCW
- 11** Design no.



• H-SQP211 Series
• H-SQP311 Series

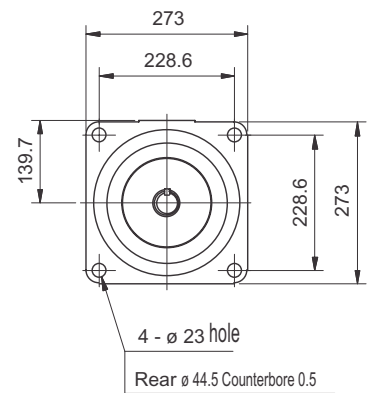
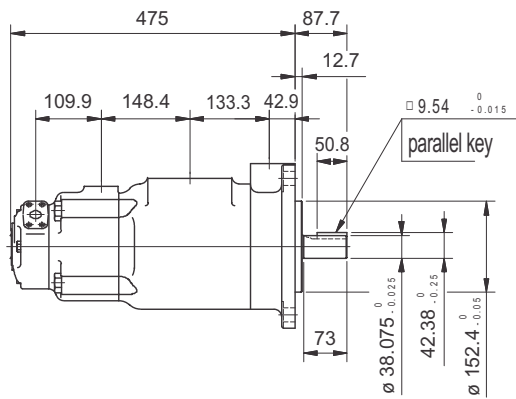
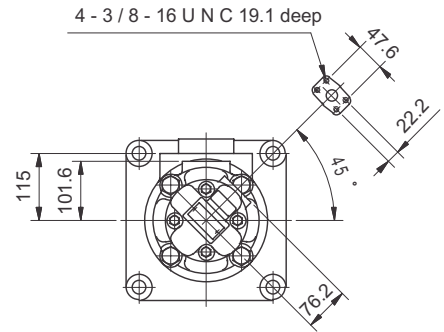
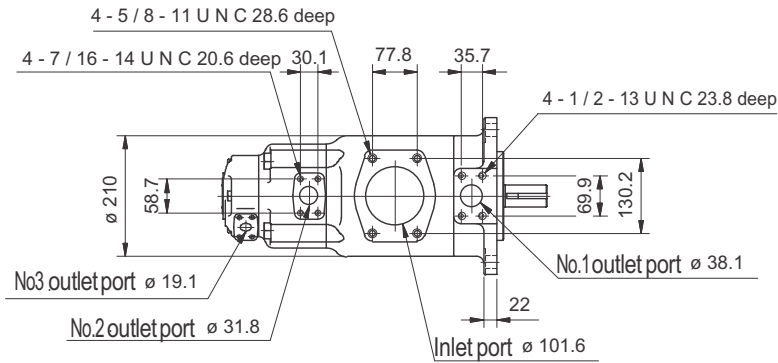


• H-SQP321 Series
• H-SQP421 Series



• H-SQP431 Series
• H-SQP432 Series

H-SQP431 (Flange Mount)



Model Numbers	Approx. Weight (kg)
H-SQP431	97.0

Specifications

Model	Shaft End Pump			Middle Pump			Cover End Pump					
	Displ. Code	Nominal Displacement cm ³ /rev	Max. Working Press. MPa	Displ. Code	Delivery at 1000 min ⁻¹ 0.7Mpa L/min	Max. Working Press. MPa	Displ. Code	Delivery at 1000 min ⁻¹ 0.7Mpa L/min	Max. Working Press. MPa	Max. Speed min ⁻¹		
										Mineral Oil	Water-Glycol	Phosphate Ester
H-SQP431	42	134.0	17.5	21	66.7	17.5	2	7.5	14.0	1800	1200	1200
	45	140.0		25	79.2		3	10.2				
	50	156.0		30	95.0		4	12.8				
	57	178.0		32	100.0		5	16.7				
	60	189.0		35	109.0		6	19.2				
	66	207.0		38	118.0		7	22.9				
	75	237.0	16.0	45	140.0	8	26.2	17.5	1500	1200	1200	
						9	28.3					
						11	35.0	14.0	1500	1200	1200	
						12	37.9					
						14	44.2					

*F3-H-SQP max. working pressure and speed with phosphate ester fluid

▲ F11-H-SQP max. speed with water-glycol fluid

Minimum speed min⁻¹ 600