

SINGLE CHANNEL GAS MONITOR



PANEL MOUNTING



WEATHERPROOF



FLAMEPROOF

Features

- Display of Gas Concentration along with its Unit & 'Gas Name'.
- Microcontroller Based Latest, Accurate, Reliable & High Performance Technology that Eliminates False Alarm.
- Advance Warning & Alarm Output.
- Audio Visual Alarm Indication
- Two Independent Alarm Relay Output.
- Optional programmable Voltage & Current Output with Configurable Range.
- Easy Handling & programming with 3 keys.
- Can be programmed using Remote Control from 10 meter in line of site distance.
- Password protected programming menu.
- Optional Isolated RS - 485 Communication Port with Modbus RTU Protocol.

Applications

- Refineries
- Sewage Plants
- Fertilizers Plants
- Stack Monitoring
- Gas Cylinder Bank
- Ambient Monitoring
- Pulp & Paper Plants
- Oil & Gas Industries
- Gas Pipeline Project
- Gas Metering Station
- Heat Treatment Plants
- Chemical Storage Area
- Burner / Furnace Areas
- Power & Industrial Plants
- Bullet Yard / Storage Yard
- Chemical Processing Plant
- Coal Mine and Confined Area
- Chemical & Petrochemical Plants
- Acid Alkalizes & Dyes Mfg. Plants
- Automotive Industries / Paint Shops
- Offshore Drilling & Processing Platforms

MUST FOR HUMAN AND INDUSTRIAL SAFETY

TECHNICAL SPECIFICATIONS

General

Detection Method	: 4 to 20mA output from Oxygen / Toxic / Combustible Gas Transmitter.
Range	: 0 to 9999 in unit PPM or % LEL or %V/V Programmable by user.
Display	: 16 x 2 Alphanumeric LCD / OLED with auto Backlit option for LCD Display. 8LEDs to indicate status of instrument
Control Action	: i) Two independent Alarm Set Points with Latch & Non-Latch facility. ii) User selectable Hysteresis & Logic option. iii) Failsafe Relay for fault condition.
Setting	: By 3 Keys on front panel By using Remote Control (Optional)

Performance

Measurement Accuracy	: ± 1% of full-scale.
Response Time	: 1 Sec typically
Start-up Time	: Less than 30 Seconds.

Electrical

Power Supply	: 90 to 300 VAC / DC.
Power Consumption	: Less than 10 Watt.
Connection	: 2.5 mm ² Flexible or Armoured Shielded Cable.

Output Signal

Standard	: It has three No. relays (One for Failsafe & Two no. for Alarm Indication) of rating 120VAC / 2A, 24VDC/2A.
Optional	: 0-20mA / 4-20mA / 0-5VDC / 0-10VDC Output selectable proportional to Gas Concentration with programmable Range.
Optional	: Isolated RS - 485 Communication Port with Modbus RTU Protocol.

Panel Mounting Housing

Protection Class	: IP - 40
Cabinet Material	: ABS Enclosure
Termination	: 2.5mm ² Connector
Dimension	: 96 mm (H) x 96 mm (W) x 170 mm (D)
Cutout	: 92 mm (H) x 92 mm (W)
Mounting	: Panel
Weight	: Approx 1 Kg.

Error Monitoring

- During Sensor break / open, Display shows 'Sensor Open' & Output Signal gets as per the Up scale / Down scale selection.
- During 'Under Range', Display shows 'Under Range' & Output Signal gets as per the Up scale / Down scale selection.
- During 'Over Range', Display shows 'Over Range' & Output Signal gets as per the Up scale / Down scale selection.
- Down Scale Output Signal = 0mA / 0VDC.
- Up Scale Output Signal = 21mA / 5.5VDC / 10.5VDC.

Environmental

Operating Temperature	: 0 to 50°C
Storage Temperature	: -10 to + 60°C
Humidity	: Less than 95% Non-Condensing.

Accessories (Optional)

- CE certified 24 VDC Power supply.
- Canopy & Mounting stand.
- Gas Calibration Kit (0.5,1, 3,10)Liter.
- Hooter Cum Flasher.
- Remote Control for programming.
- Gas Sampling & Conditioning System.
- RS-485 to USB OR RS-232 convertor
- PC Based SCADA Software, Modem

Weatherproof Housing

Protection Class	: IP-65
Cabinet Material	: Polycarbonate, grey colour
Cable Entry	: Thermoplastic cable gland (IP 68)
Dimension	: 215 mm (H) x 240 mm (W) x 115 mm (D)
Mounting	: Wall Mounting / Stand Mounting
Weight	: Approx 2.0 Kg.

Flameproof Housing

Protection Class	: IP-65 for Gas Gr.IIA & IIB, CMRI approved enclosure & CCOE (optional)
Cabinet Material	: Cast Aluminium alloy, LM-6
Cable Entry	: Double Compression, 3/4" ET-Type.
Dimension	: 285 mm (H) x 265 mm (W) x 170 mm (D)
Mounting	: Wall Mounting / Stand Mounting
Weight	: Approx 6 Kg.

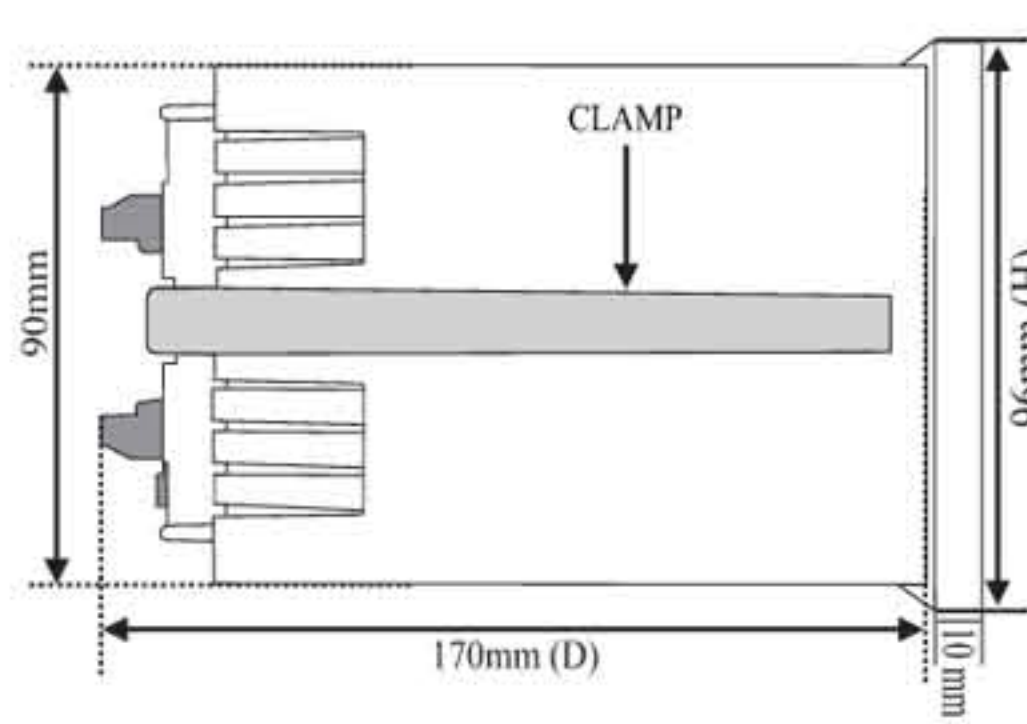
DIMENSION

PANEL MOUNTING ENCLOSURE

FRONT VIEW

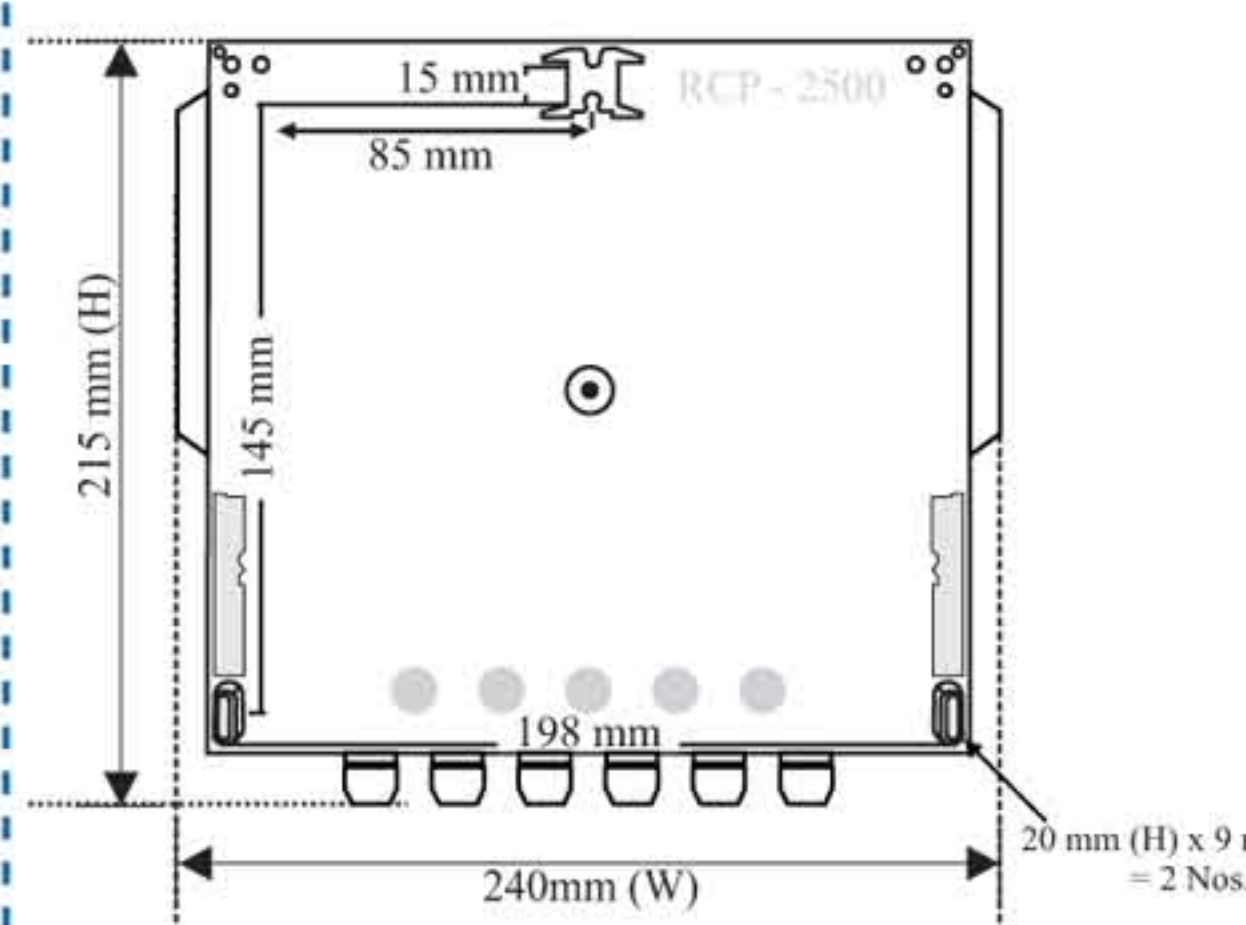


SIDE VIEW

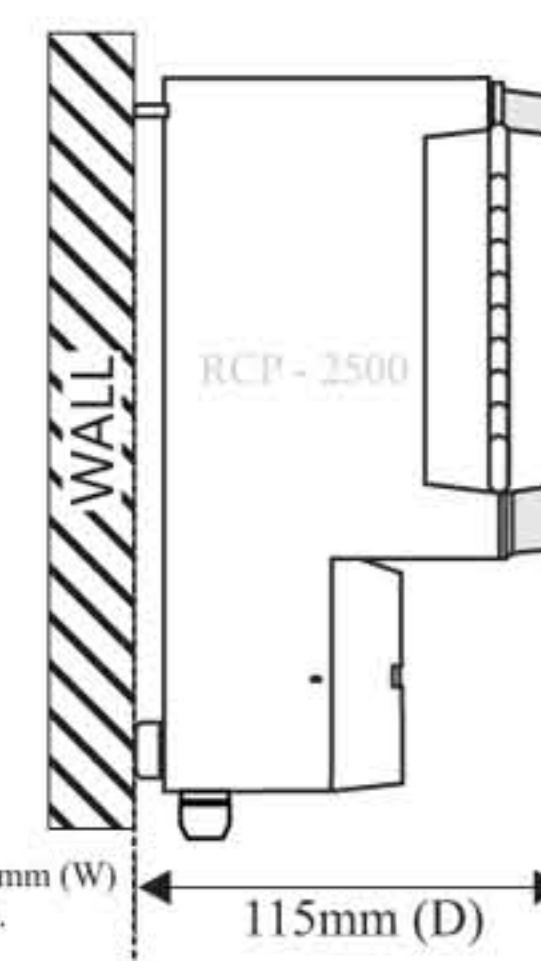


WEATHERPROOF ENCLOSURE

BACK VIEW

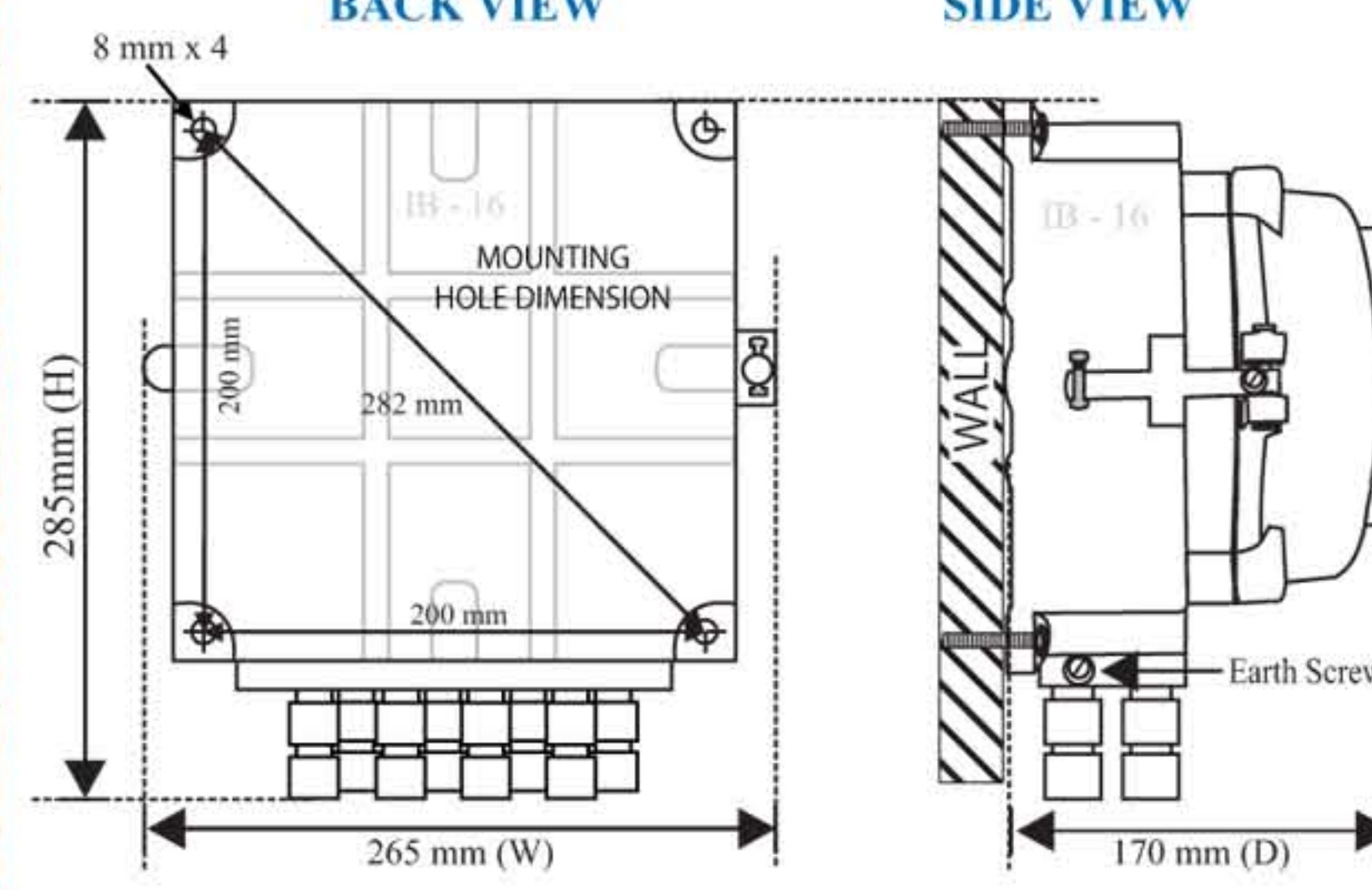


SIDE VIEW

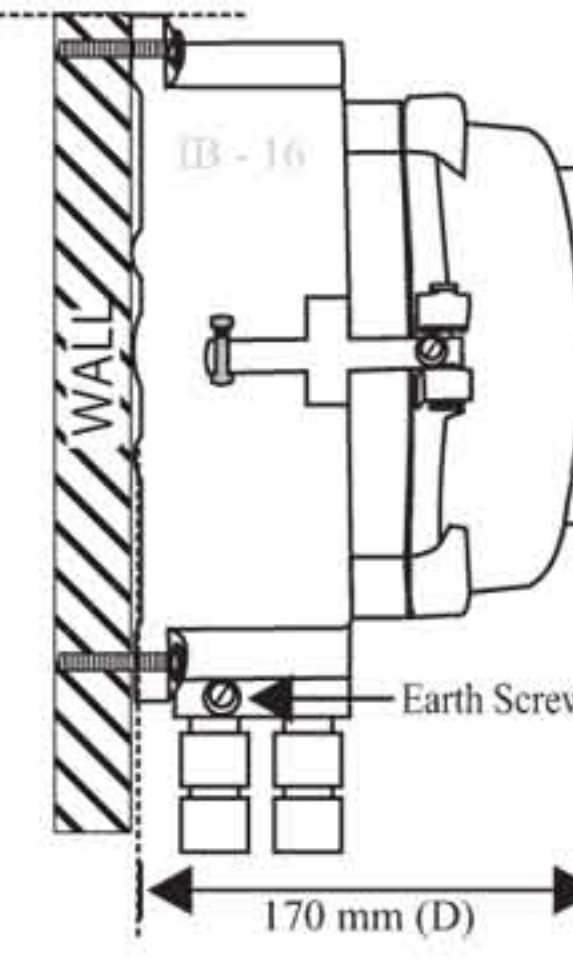


FLAMEPROOF ENCLOSURE

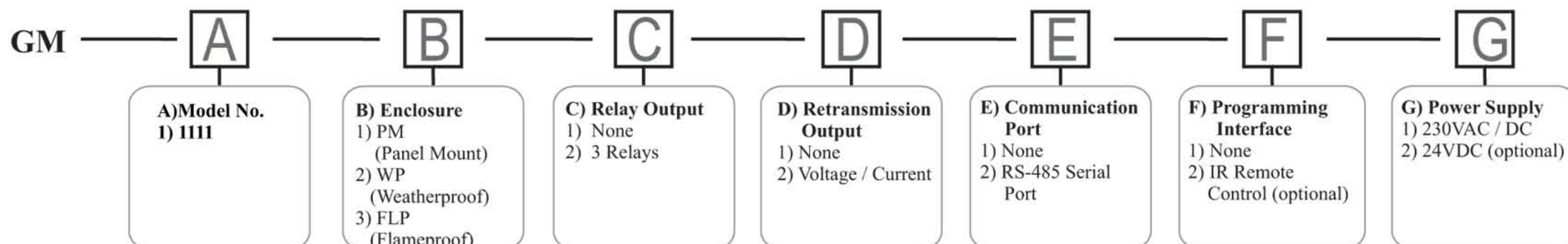
BACK VIEW



SIDE VIEW



ORDERING INFORMATION



* Before placing order please Refer the above ordering information or Contact us for assistance.

Manufactured by :



AMBETRONICS ENGINEERS PVT. LTD.

17-B, Tarun Industrial Estate, Mogra Pada, New Nagardas Road, Andheri (E.) Mumbai - 69, India.
Mob.: 9320619646 • 9320621646 • Tel.: +91-22-61673000, 28371143 • Fax: +91-22-28226570
E-mail : project@ambetronics.com • gas@ambetronics.com • Web : www.ambetronics.com



Dealers: