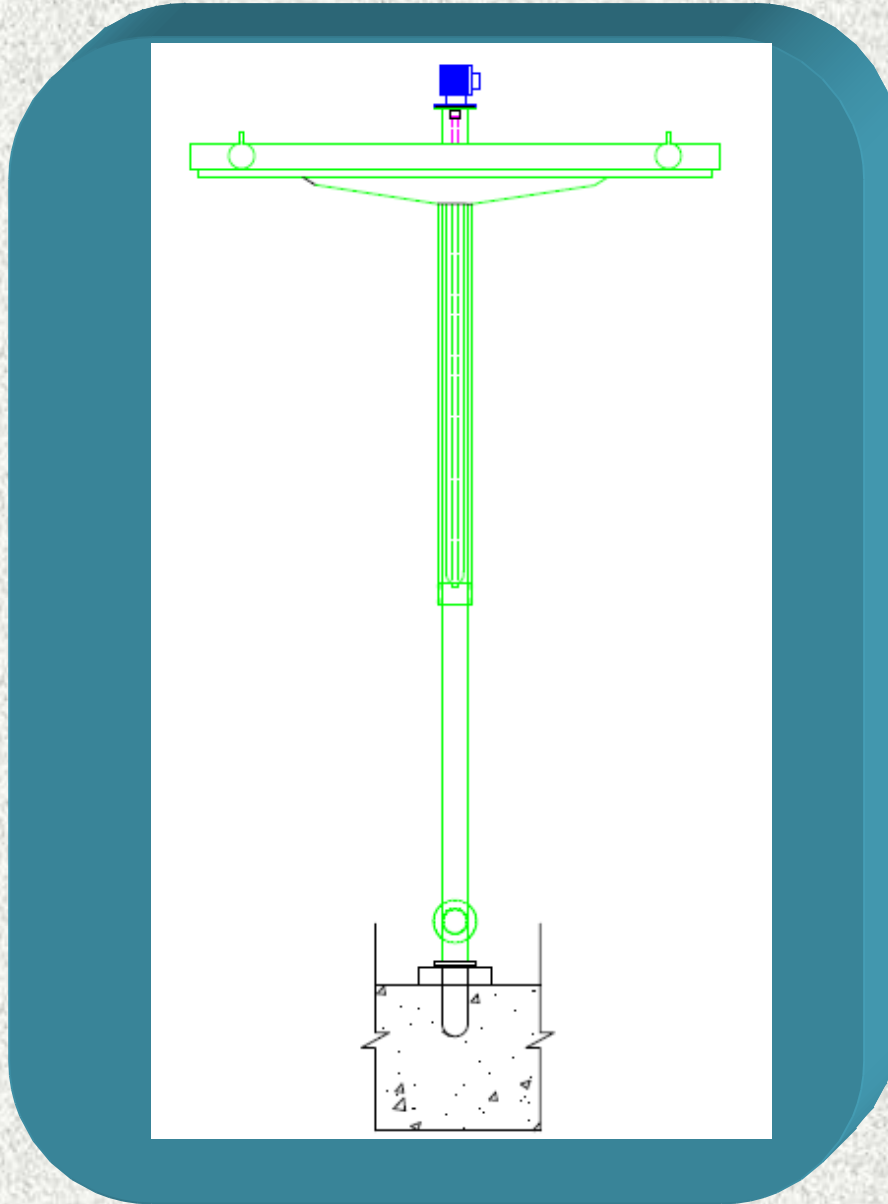


DECAN-TECH

AUTOMATED DECANTER MECHANISMS



*DECANTER MECHANISM FOR SEWAGE TREATMENT
PLANTS BASED ON SBR , MBBR & ASP TECHNOLOGIES.
DURABLE , EFFECTIVE AND ECONOMICAL...*

From

Parchure Engineers Private Limited

Decanter Manufacturing Division

For Enquiries Visit us or Write to us at

www.parchureengineers.co.in / parchureengineers@gmail.com

About Decantech Decanter Mechanism

Decantech Decanters , are a patent pending quality product by Parchure Engineers Private Limited (PEPL) , Pune specially designed and manufactured to suit the specific task of decanting clarified / clear water from the SBR* / MBBR* Process Tank with guaranteed sealing and that too at an economical price. Designed to perfection with a view to solve the most expensive and technically critical issue of any Sewage Treatment Plant process designer , which is selection of the decanter mechanism , The Decantech solves this issue with its unique design that allows STP Designers to minimise Civil Work , Tank Sizes and also foot print of the Decanter mechanism inside the Process Tank.

Decantech allows the designers to design tanks that are smaller in area compared to conventional Decanter Mechanisms whilst reducing the overall load implication on SBR Basin Wall Mounted Type Lowering Arm Decanters. Our decanters are smart , small and highly programmable to suit all the requirement of an ideal decanting mechanism. Equipped with its own D-TECH CONTROL PANEL you can simply fit and forget the mechanism. **Decantech** is made from Stainless Steel 316 L to provide the highest resistance to the corrosive environments it is subjected to during its work cycle. Fitted with the best Drive Unit and VFD controllers its precision is unmatched. Precision machining and manufacturing process and highly comprehensive control logic makes installing an DECANTECH very easy. With very minimal Civil Work required , no need to wait for decanters to arrive for the completion of civil works at site. All you need is to install the Decantech Mounting Platform assembly while concreting the floor of the Process Basin.

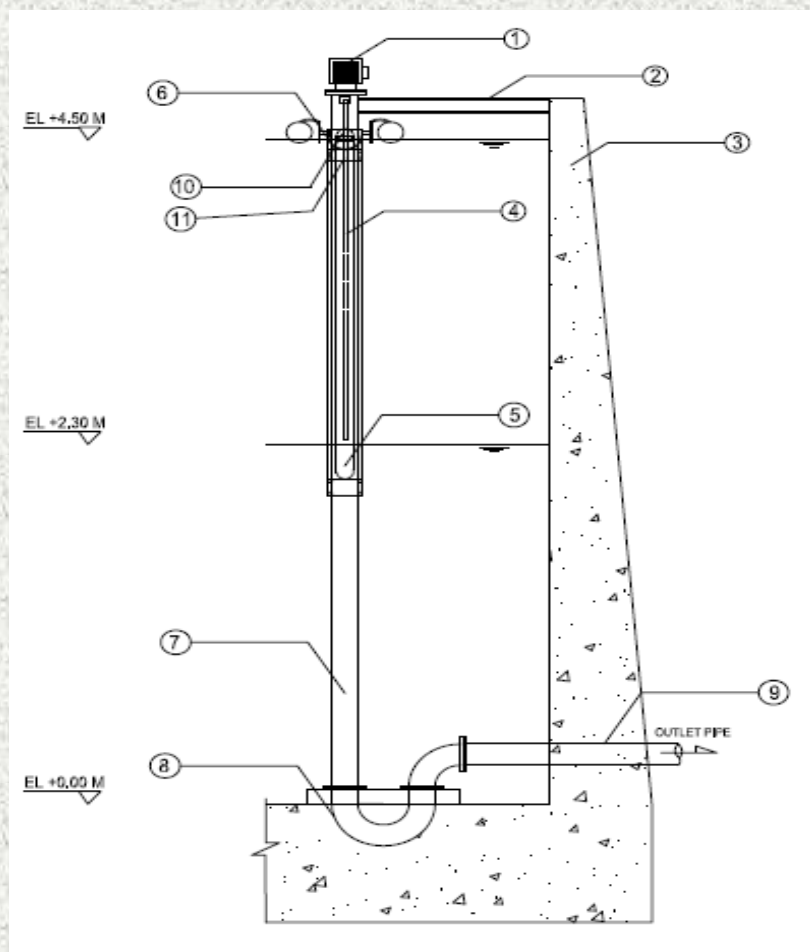
Decantech Decanters are based on the Patent Pending technology designed and manufactured by Parchure Engineers Private Limited. It has applied for and successfully received patent pending certificate for Intellectual Property Rights Department, Government of India. These decanters are supplied with our own highly reliable D-Tech Control Panels that allows the users to precisely control and modify at will the function cycle of the unit.

The decanter models and their capacity are mentioned in the table below:-

DECANTECH Model Range

Decanter Model	Capacity
DT-100	Up to 0.5 MLD per Decanter
DT-150	Up to 1.25 MLD per Decanter
DT-200	Up to 2.5 MLD per Decanter
DT-300	Up to 5 MLD per Decanter
DT-400	Up to 10 MLD per Decanter
DT-500	Up to 12.5 MLD per Decanter

Important Components of the Decantech Decanter Mechanism



Typical Installation View of Decanter

Sr. No.	Component / Part Name	MOC
1	Drive Head with VFD Controller	CGL Make
2	Wall Support Beam for Decanter	AISI 316 L
3	RCC Basin Wall	RCC
4	Drive Spindle	AISI 316 L
5	Decanting Slot in Decanter Outlet Pipe	AISI 316 L
6	Collection Trough / Launder with Scum Guard & Scum Guard Operating Floats	AISI 316 L PVC
7	Discharge Pipe	AISI 316 L
8	Outlet Duck Foot / U Bend	AISI 316 L
9	Outlet Pipe	In Client's Scope
10	Mounting Flanges and Mounting Mechanism (Not numbered in Drawing)	AISI 316 L

(Control Panel is not mentioned / represented in the Schematic Drawing.)

DECANTECH The Perfect Decanter

Salient Features of Decantech

- ✓ **MOST ECONOMICAL** in procurement and operational costs.
- ✓ **Easy to install and operate**
- ✓ **Highly cost effective**
- ✓ **Most Energy Efficient** in its class
- ✓ **No load on the RCC Structures / Tank Walls**
- ✓ **No modification or special civil arrangement required for mounting.**
- ✓ **Lowest Foot Print on the tank floor among all Mechanisms.**
- ✓ **Works across all technologies :- SBR , MBBR and ASP.**

Please Write in to us with your enquiries at

Estimates.pepl@gmail.com or parchureengineers@gmail.com

Visit us at : www.parchureengineers.co.in

**Also check our Complete Range of Pollution Control
Equipment at our Website.**

**Mechanical & Manual Fine / Coarse Bar Screens , Sluice Gates ,
Grit Separator Mechanisms , Central and Peripheral Bridge
Clarifier , Gravity Sludge Thickeners , Flash Aerators , Floating
Aerators , Screw and Belt Conveyors , HRSCC , DSM Type
Screens , Sludge Pumps.**



CARE , for NATURE.

Parchure Engineers Private Limited

Registered Office and Production Unit

Plot No. C 4-23 MIDC Jejuri , Taluka Purandar , District Pune , (M.S.) India.

Corporate Office / Pune Office

Sr. No. 14 , Shed Number 1 , Nanded Phata , Sinhagad Road , Pune , (M.S.)
India 411041.

Enquiry Lines : +91-8308744102 / +91-9822251075

You can find us on IndiaMart , Indian Yellow Pages and Trade India.