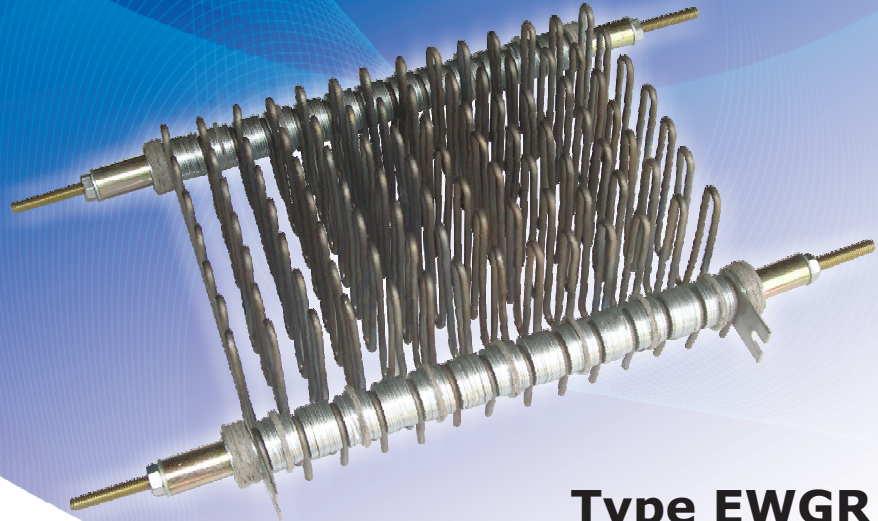


**HIGH POWER
WIRE GRID
RESISTORS**



Type EWGR

CONSTRUCTION

In these type of resistors ferrel wires are used. Wire is formed into grid by bending wire in zig-zag form. Multiple grids are assembled as a bank and then fitted in an enclosure. These resistors are most suitable where high wattage and high current is required.

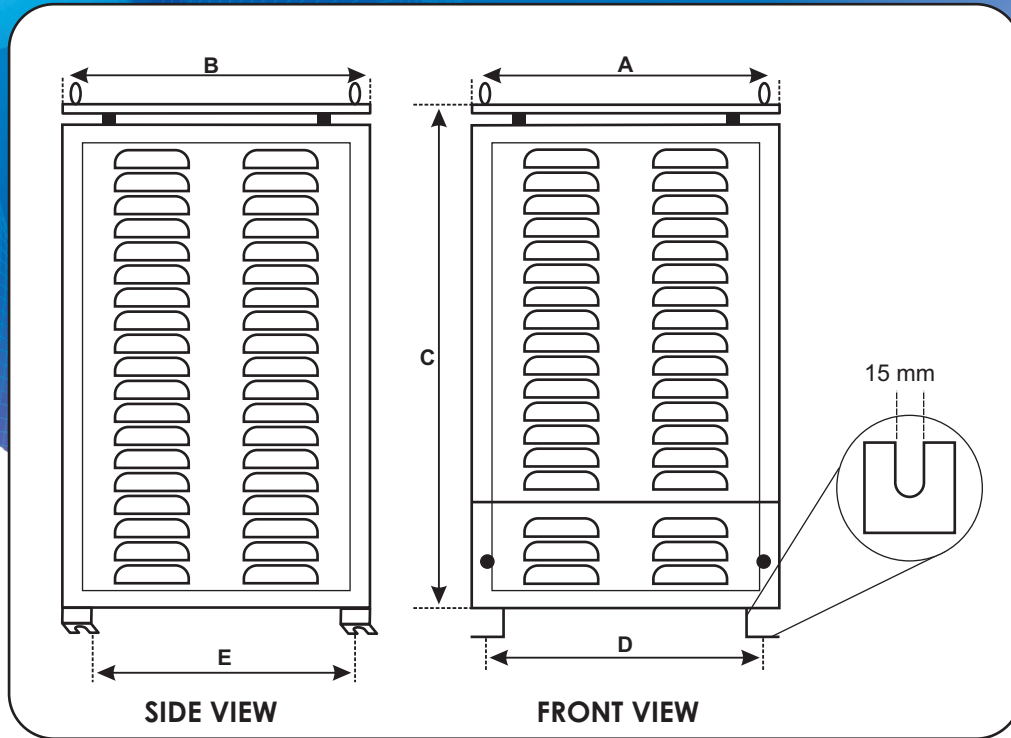
APPLICATIONS

Loading Resistors
Dynamic Braking Resistor
Starting Resistors
Neutral Grounding Resistor

CHARACTERISTICS

Temperature Range : -55°C to + 375°C max.
Dielectric Strength : 2500 VAC
Temp. Coefficient : ±200PPM/°C max
Short Term Overload : 20 x Wattage rating for 5 seconds

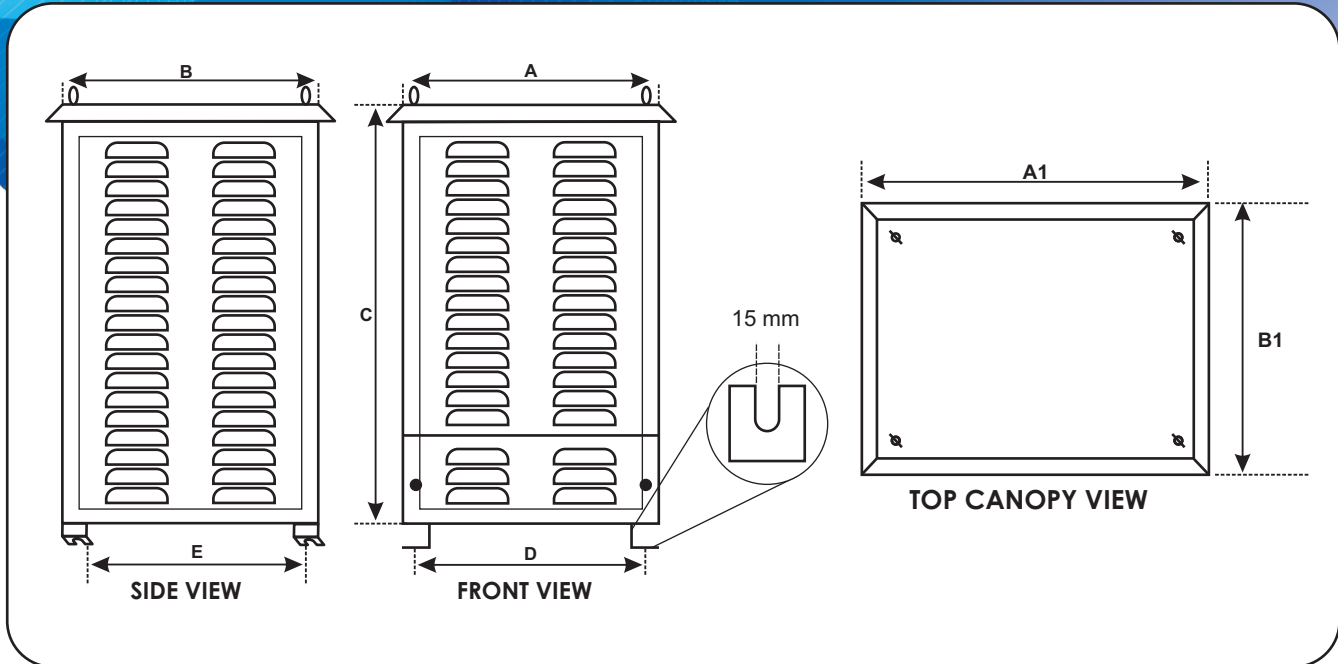
**Type EWGRE
without extended Canopy**



Power K.W	Dimensions (mm)				
	A	B	C	D	E
5.0	450	600	600	375	465
7.5	550	600	600	475	465
10	450	600	800	475	465
15	550	600	800	475	465
23	550	600	1000	475	465
30	550	600	1200	475	465
45	675	600	1200	600	465
55	675	600	1400	600	465
65	675	600	1600	600	465
75	675	600	1800	600	465
85	675	600	2000	600	465
90	1025	675	1200	950	465
110	1025	675	1400	950	465
130	1025	675	1600	950	465
150	1025	675	1800	950	465
170	1025	675	2000	950	465

- Note : Cable entry from bottom
- Lifting bolts are available from 10KW onwards.
- Basic frame : 3mm
- Panel : SWG 20 Galvanised Sheet

**Type EWGRE
with extended Canopy**



Power K.W	Dimensions (mm)						
	A	A1	B	B1	C	D	E
5.0	450	550	600	700	600	400	480
7.5	550	650	600	700	600	500	480
10	450	550	600	700	800	400	480
22	675	775	600	700	875	625	480
34	675	775	600	700	1075	625	480
45	675	775	600	700	1275	625	480
55	675	775	600	700	1475	625	480
65	675	775	600	700	1675	625	480
75	675	775	600	700	1875	625	480

Power Rating above 75KW are also available.

- Note : Cable entry from bottom
- Lifting bolts are available from 10Kw onwards.
- Powder coating : Average 80 microns.
- Main frame : 1.6 mm from 5KW to 10KW
2 mm from 11KW to 75KW
- Panel : 1 mm from 5KW to 10KW
1.6 mm from 11KW to 75KW