

6"

SW6 SERIES
Water Filled Submersible Motor



SW6 Series



XW6 Series



TW6 Series
(Premium Series)

SPECIFICATION

- Degree of protection: IP68
- Ambient temp. : 45°C
- Minimum Cooling flow along with motor
4-15Kw -15cm/sec
18.5-22Kw -30cm/sec
- Water pH: 6.5 -8.0
- Maximum no. starts per hour: 20
- Rotation: Three Phase-CCW and CW
- Continuous duty
- Ratings :
 - o Three Phase 3.7KW-22KW
- Standard motor cable: Suitable for operation in drinking water.

OPTIONS AVAILABLE ON REQUEST

- CED Coated Parts
- Special Voltages.
- Built in PT 100 temperature sensor
- Rubber cable

CERTIFICATIONS



FEATURES

These Submersible motors are designed so that they can easily rewind and repaired. They are built to provide maintenance- free, long life operations.

- Easily rewindable (wet wound) induction motor with PE insulated windings
- Water lubricated radial and axial thrust bearing
- Corrosion resistant stainless steel Stator jacket
- Non-contaminating water filling designed.
- High efficiency electrical design, lower operating cost.
- 6" NEMA Coupling flange
- Pressure compensation diaphragm
- Copper Rotor for better efficiency
- Dynamic balancing

DESIGNATION

S _____ : S (Standard) X (Stainless Steel) T (Turbo)
W _____ : W (Water Filled) E (Encapsulated)
6 _____ : 6 inch Diameter
 /
10 _____ : HP
TP _____ : TP (Three/Tri Phase)
380V 50HZ _____ : VOLTAGE AND FREQUENCY

For Example:
 SW6/10TP 380V 50Hz: 6 inch Standard Water Lubricated 10 HP Three Phase 380V 50Hz Submersible Motor

6" Water Filled Submersible Motor

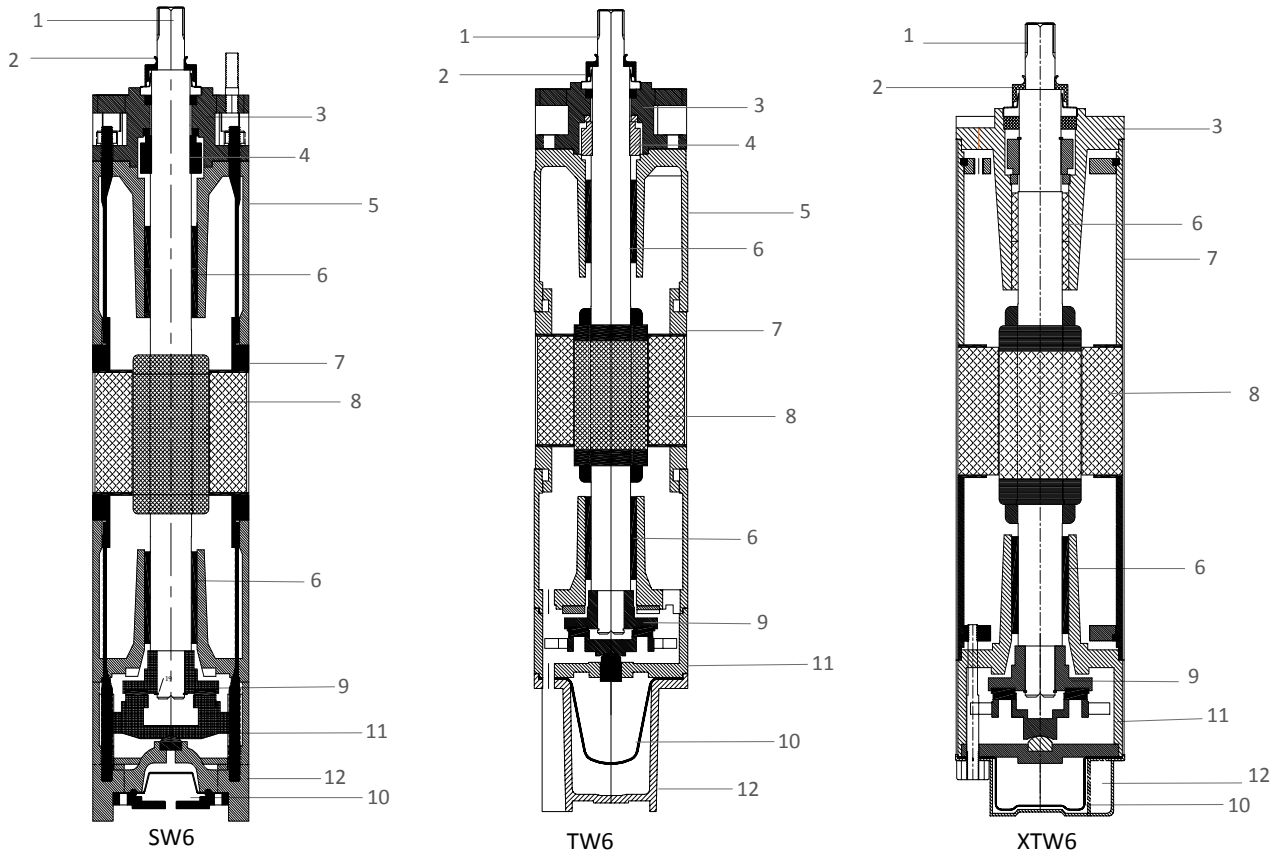
TECHNICAL DATA

Construction Features

S. No.	PART	MATERIAL OF CONSTRUCTION		
		SW6	TW6	XTW6
1	Rotor Shaft	SS AISI 420 *	SS AISI 420 *	SS AISI 420 *
2	Lip Seal Cover	Nitrile Rubber	Nitrile Rubber	Nitrile Rubber
3	Connection Plate	Grey Iron	Grey Iron	Stainless Steel
4	Seal	SiC	SiC	SiC
5	Upper Housing	Grey Iron	Grey Iron	Stainless Steel
6	Shaft Bush	LTB 5	LTB 5	LTB 5
7	Stator Housing	Stainless Steel	Stainless Steel	Stainless Steel
8	Winding	PE 100% Copper	PE 100% Copper	PE 100% Copper
9	Thrust Bearing	Carbon/SS 304	Carbon/SS 304	Carbon/SS 304
10	Diaphragm	Nitrile Rubber	Nitrile Rubber	Nitrile Rubber
11	Lower Housing	Grey Iron	Grey Iron	Stainless Steel
12	Motor Base	Grey Iron	Grey Iron	Stainless Steel

Note:

* SS AISI 431 available on request





Pumps & Motors

6" Water Filled Submersible Motor

TECHNICAL DATA

2 Pole Water Lubricated 6" Motor Three Phase -50Hz

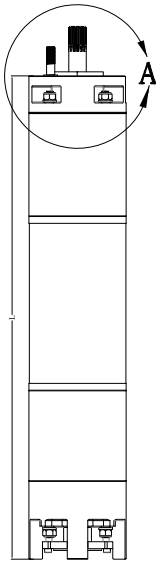
SW6

Model	Power		U _n	I _n	I _A	RPM	Efficiency $\eta\%$			Power Factor - Cos ϕ			Ts/Tn	Thrust Load
	kW	HP	V	A	A	(min ⁻¹)	50%	75%	100%	50%	75%	100%	% FLT	N
SW6/5TP	3.7	5	415	9	44	2860	70.8	72.5	73.1	0.68	0.75	0.79	150	27500
			400	9.2	44	2860	70.8	72.5	73	0.68	0.75	0.8		
			380	9.5	44	2840	69.8	71.5	72	0.7	0.77	0.8		
SW6/6TP	4	5.5	415	10	49	2860	71.5	74	74.5	0.68	0.75	0.79	155	27500
			400	10.2	49	2860	71.5	74	74.5	0.68	0.75	0.8		
			380	10.5	49	2840	70.5	73	73.5	0.7	0.77	0.81		
SW6/7TP	5.5	7.5	415	12.5	62	2870	75.2	76.5	77.1	0.69	0.75	0.8	160	27500
			400	12.8	62	2870	75	76.2	77	0.69	0.76	0.8		
			380	13	62	2845	74	75.8	76	0.72	0.77	0.82		
SW6/10TP	7.5	10	415	16	80	2870	76.2	77.5	78.1	0.69	0.76	0.81	160	27500
			400	16.2	80	2870	76	77.2	78	0.69	0.76	0.82		
			380	16.5	80	2840	75	76	76.5	0.72	0.77	0.85		
SW6/12TP	9.3	12.5	415	19.5	99.5	2875	76.9	78.5	79.1	0.69	0.76	0.81	170	27500
			400	19.8	99.5	2875	76.8	78.2	79	0.69	0.76	0.82		
			380	20	99.5	2845	75	77	77.5	0.72	0.77	0.85		
SW6/15TP	11	15	415	23.5	122.2	2875	77.2	79.5	80.1	0.69	0.76	0.82	170	27500
			400	23.8	122.2	2875	77	79.2	80	0.7	0.77	0.83		
			380	24.1	122.2	2845	76	77.5	78	0.72	0.78	0.86		
SW6/17TP	13	17.5	415	28	148.5	2875	77.6	80	80.6	0.69	0.78	0.82	170	27500
			400	28.2	148.5	2875	77.5	80	80.5	0.7	0.79	0.83		
			380	28.5	148.5	2845	76	78	79	0.72	0.79	0.86		
SW6/20TP	15	20	415	33	176.5	2875	78.2	80.5	81.1	0.69	0.78	0.82	180	27500
			400	33.2	176.5	2875	78	80.2	81	0.7	0.79	0.83		
			380	33.2	176.5	2840	77	80	79.5	0.72	0.79	0.86		
SW6/25TP	18.6	25	415	39	208	2880	78.8	81	81.6	0.7	0.79	0.83	190	27500
			400	39.2	208	2880	78.5	80.8	81.5	0.72	0.8	0.84		
			380	39.6	208	2850	77	80	80.5	0.73	0.81	0.87		
SW6/30TP	22	30	415	48	255	2880	79.4	81.5	82	0.7	0.79	0.83	200	27500
			400	48.5	255	2880	79	81.2	81.8	0.71	0.8	0.84		
			380	48.8	255	2850	78	80	80.5	0.74	0.82	0.87		

Revision possible without prior notice.

SINGLA MOTORS PRIVATE LIMITED, Pingli Road, Karnal-132001 Haryana-INDIA

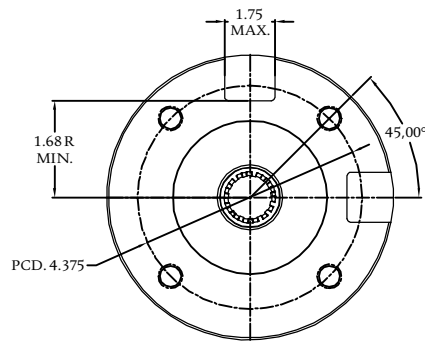
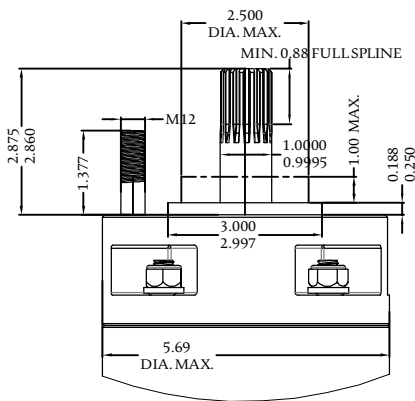
Overall dimensions in mm and Weight **SW6**



Model	Power		CableLeadSize(mm)			MAX Dø	Length mm	Weight Kg	CBM
	KW	HP	DOL	YΔ	length				
SW6/5TP	3.7	5	1x4x2.5	-	3 mtr	142	648	45	0.02
SW6/6TP	4	5.5	1x4x2.5	-	3 mtr	142	663	47	0.021
SW6/7TP	5.5	7.5	1x4x2.5	-	3 mtr	142	703	51	0.022
SW6/10TP	7.5	10	1x4x4	1x3x2.5 + 1x4Gx2.5	3 mtr	142	748	56	0.023
SW6/12TP	9.3	12.5	1x4x4	1x3x2.5 + 1x4Gx2.5	3 mtr	142	778	59	0.024
SW6/15TP	11	15	1x4x4	1x3x4 + 1x4Gx4	3 mtr	142	833	65	0.025
SW6/17TP	13	17.5	1x4x6	1x3x4 + 1x4Gx4	3 mtr	142	868	69	0.026
SW6/20TP	15	20	1x4x6	1x3x4 + 1x4Gx4	3 mtr	142	903	72	0.027
SW6/25TP	18.6	25	-	1x3x6 + 1x4Gx6	3 mtr	142	983	81	0.029
SW6/30TP	22	30	-	1x3x6 + 1x4Gx6	3 mtr	142	1083	90	0.032
TW6/5TP	3.7	5	1x4x2.5	-	3 mtr	142	710	47	0.022
TW6/6TP	4	5.5	1x4x2.5	-	3 mtr	142	725	49	0.022
TW6/7TP	5.5	7.5	1x4x2.5	-	3 mtr	142	765	53	0.023
TW6/10TP	7.5	10	1x4x4	1x3x2.5 + 1x4Gx2.5	3 mtr	142	810	58	0.024
TW6/12TP	9.3	12.5	1x4x4	1x3x2.5 + 1x4Gx2.5	3 mtr	142	840	61	0.025
TW6/15TP	11	15	1x4x4	1x3x4 + 1x4Gx4	3 mtr	142	895	67	0.027
TW6/17TP	13	17.5	1x4x6	1x3x4 + 1x4Gx4	3 mtr	142	930	71	0.028
TW6/20TP	15	20	1x4x6	1x3x4 + 1x4Gx4	3 mtr	142	965	74	0.028
TW6/25TP	18.6	25	-	1x3x6 + 1x4Gx6	3 mtr	142	1045	83	0.031
TW6/30TP	22	30	-	1x3x6 + 1x4Gx6	3 mtr	142	1145	92	0.033

Submersible Motor Mounting Dimensions

NEMA 6"



DETAIL-A

ALL SIZE IN INCHES