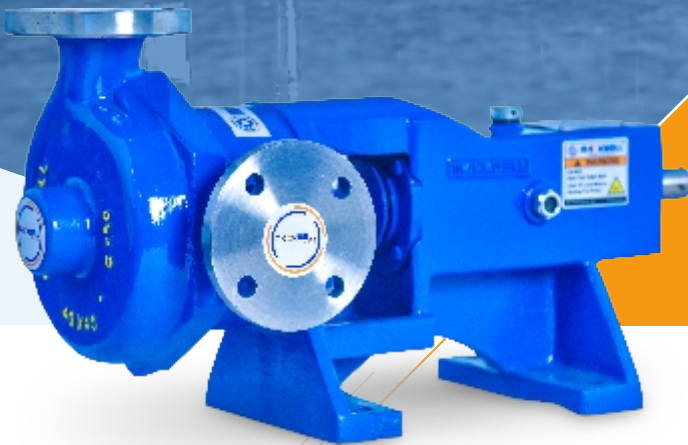


STANDS FOR **QUALITY**

MFPP SERIES

**MACKWELL FILTER
PRESS PUMP**



MACKWELL®

PUMPS & CONTROLS

JAS-ANZ

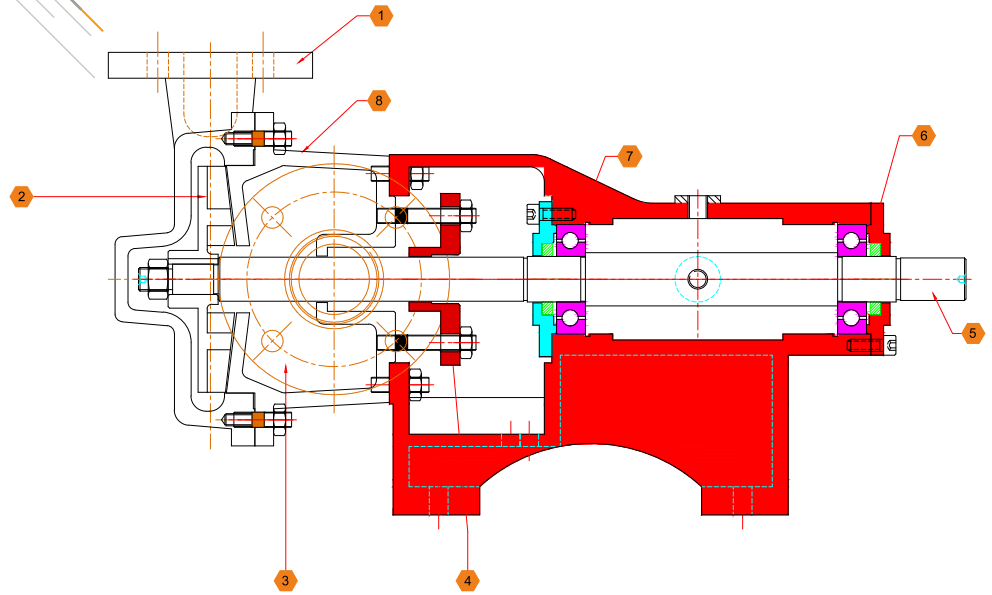


An ISO 9001:2015 Registered

www.mackwellpump.com

DESCRIPTION

- 01** VOLUTE
- 02** IMPELLER
- 03** HOUSING FLANGE
- 04** PACKING HOUSING COVER
- 05** SHAFT
- 06** OUTSIDE HOUSING
- 07** BREAING HOUSING
- 08** PACKING HOUSING



FEATURES

- Special design for filter press application
- Higher efficiency
- Low power consumption
- Grease / Oil lubriccants zz bearings
- Reduce gland leakage
- Suitable for direct coupled with motor / engine / belt
- Heavy replaceble grering plates

APPLICATION

- Effluent treatment plant
- Dyes & Intermediates steel rolling mills
- All types of industrial application
- Filter press feeding
- Slurry transfer
- Ceramic, ETP & STP
- Paper & Pump, Sugar & Food
- Eva-operator, Scrubber application

IMPELLER

Semi open type, non clogging, hand finished designed for high efficiency & smooth flow.

BEARING

Single row deep grooved heavy duty antifriction ball bearing with oil lubricaton.





MFPP - 40L & 40h

MAX. POWER	3 HP / 2.2 kW
MAX. FLOW RATE	355 LMP
MAX. HEAD	UP TO 25 MTR
SPEED	2900 RPM
DISCHARGE	40 MM
SUCTION	40 MM
TEMPERATURE	150° C
IMPELLER	Special Deisgn Semi Open

MFPP - 50L & 50h

MAX. POWER	7.5 HP /
MAX. FLOW RATE	555 LMP
MAX. HEAD	Up to 40 mtr
SPEED	2900 rpm
DISCHARGE	50 mm
SUCTION	50 mm
TEMPERATURE	150° C
IMPELLER	Special Deisgn Semi Open



MFPP - 65L & 65 H

MAX. POWER	12.5 / 9.3 kW HP
MAX. FLOW RATE	990 LMP
MAX. HEAD	Up to 48 mtr
SPEED	2900 rpm
DISCHARGE	65 mm
SUCTION	65mm
TEMPERATURE	150° C
IMPELLER	Special Deisgn Semi Open

Note: Only positive (+v) suction head. Performance applicable to liquid of specific gravity 1 and viscosity as of water. High Temperature and High Head / Flow Pumps are available as per client requirements.

MFPP - 50 - 14

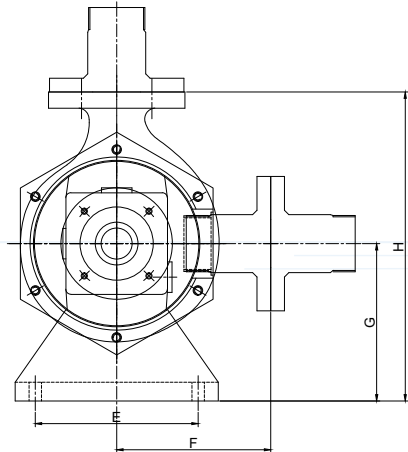
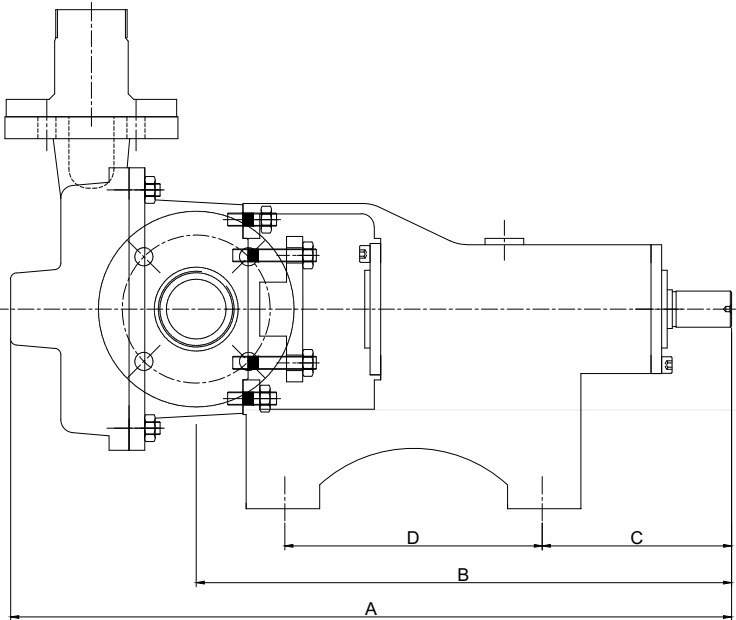
MAX. POWER	2 HP / 1.5 kW
MAX. FLOW RATE	425 LMP
MAX. HEAD	Up to 12 mtr
SPEED	1440 rpm
DISCHARGE	50 mm
SUCTION	50 mm
TEMPERATURE	150° C
IMPELLER	Special Deisgn Semi Open

MFPP - 65 - 14

MAX. POWER	3 HP / 2.2 kW
MAX. FLOW RATE	580 LMP
MAX. HEAD	Up to 15 mtr
SPEED	1440 rpm
DISCHARGE	65 mm
SUCTION	65 mm
TEMPERATURE	150° C
IMPELLER	Special Deisgn Semi Open

MATERIAL

SS-316, SS-316 L, SS-304, SS-304 L
 Cast bronze, WCB, cast iron
 Hastalloy - B & C, Duplex Stainless steel



PUMP	WEIGHT	A	B	C	D	E	F	G	H
MFPP-40 X 4L	40.0 KG	560.0	148.0	416.0	200.0	160.0	152.0	155.0	305.0
MFPP-50 X 5L	50.0 KG	585.0	148.0	416.0	200.0	160.0	152.0	155.0	330.0
MFPP-65 X 6L	60.0 KG	615.0	148.0	422.0	200.0	160.0	152.0	155.0	365.0
MFPP-40 X 4H	40.5 KG	560.0	148.0	416.0	200.0	160.0	152.0	155.0	305.0
MFPP-50 X 5H	50.5 KG	585.0	148.0	416.0	200.0	160.0	152.0	155.0	330.0
MFPP-65 X 6H	60.5 KG	615.0	148.0	422.0	200.0	160.0	152.0	155.0	365.0

Note: Material scope is available as per client requirements.



MACKWELL
 PUMPS & CONTROLS

11, Karm Industrial Park, Nr. Krishna Industrial Park,
 Kathwada Singarva Road, G.I.D.C., Kathwada,
 Ahmedabad - 382430. Phone: 079 65186 186
 Email: info@mackwellpumps.com
 Website: www.mackwellpumps.com

LOCAL DISTRIBUTOR / DEALER