



ELECCSSOL
energizing earth, the solar way



 **ALL IN 1**
**SOLAR LED
STREET LIGHTS**



**HIGH LUMEN
LED**



**TUBULAR
BATTERIES**



**BLUETOOTH
ENABLED**

ABOUT ELECSSL



ELECSSL is one of the pioneers to manufacture **All in one solar street light** in India. This product is tested and approved as per **MNRE guidelines**.

FEATURES AND ADVANTAGES:



SMART MPPT CONTROLLER

MPPT is high efficient rate for solar charge controller which independent design by ELECSSL. It generates more power especially during cloudy and rainy season.



SOLAR PV MODULE

High efficient Mono / Multi Solar modules are used for longer durability. ELECSSL solar panels are certified by MNRE, TUV IEC61215, 61730.



MOTION DETECTION

ELECSSL built in passive infrared motion detection system that automatically regulates the light power output full bright ness 100% to dim mode 33% to increase battery autonomy.



NO CABLES REQUIRED

You do not need any cables for any connection to get grid power because its solar powered and user friendly products for easy installation.



LED LIGHT

ELECSSL LED luminaries delivers the best in class lumen efficacy. Light gives the maximum light output at lower wattage.



BLUETOOTH REMOTE CONTROL

ELECSSL offers Optional remote control which enables to manage on/off, dimming, and health check of LED fitting.



ADJUSTABLE MOUNTING BRACKET

Adjustable mounting bracket helps the solar panel positioned a best angle to fully absorb sunshine in different longitude and latitude areas.



LITHIUM ION PHOSPHATE BATTERY & BATTERY MANAGEMENT SYSTEM

ELECSSL adopt an exclusive technology of lion battery management program, enabling more long and endurable lifespan of battery up to 5 years.

Working of All In One Solar LED Street Light:



During day time light switch to auto off for charging through solar panel.



Light will glow in full bright mode for first 4 Hrs. at night and then it will come to 33% power & motion sensor will activate for detection of motion.



If any motion is detected in 12 Mtr area around the light, it will glow in full bright mode for 2 min.



AIO Dolphin 7W



AIO Dolphin 9-18W



AIO Dolphin 20W

MODEL NO.	6W LED	9W LED	12W LED
PHYSICAL PARAMETERS			
Power of PV module (W)	25Wp	40Wp	40Wp
Lithium Battery Capacity (1 Day - 1.5 Days)	Li-ion 11.1V/6.6AH Li-FePO4 12.8V/6AH	Li-ion 11.1V/11AH Li-FePO4 12.8V/9AH	Li-ion 11.1V/13AH Li-FePO4 12.8V/12AH
Lithium Battery Capacity (2Days)	Li-ion 11.1V/10.4AH Li-FePO4 12.8V/9AH	Li-ion 11.1V/15.4AH Li-FePO4 12.8V/12AH	Li-ion 11.1V/19.8AH Li-FePO4 12.8V/16.5AH
PIR Sensor	Provided	Provided	Provided
Net Weight of Products (Kg)	6.3kg	9kg	10kg
Dimensions of Product (mm)	480(L) x 400(W) x 43(H)	710 (L) x 517(W) x 43(H)	710(L) x 517(W) x 43(H)
DRIVER PARAMETERS			
Charge Controller Type	PWM	PWM	PWM
LED Driver Efficiency	>90%	>90%	>90%
LIGHT PARAMETERS			
Colour Temperature	5500K-6500K	5500K-6500K	5500K-6500K
Typical Luminous Flux (Lm)	600	900	1200
Light backup Time (1Day - 1.5 Day)	17Hr-18Hr	17Hr-18Hr	16Hr-17Hr
Light backup Time (2 Day)	23Hr-24Hr	23Hr-24Hr	23Hr-24Hr
PACKING PARAMETERS			
Dimension Of cartoon	600(L) x 440(W) x 110(H)	920(L) X 580(W) X 150(H)	920(L) X 580(W) X 150(H)
Gross Weight of Product (Kg)	7.5kg	12.6kg	13.4kg
MOUNTING RECOMMENDATIONS			
Top of Pole OD (mm)	40mm-46mm	70mm-76mm	70mm-76mm
Recommended Installation Height (Mtr)	5Mtr	5Mtr	5Mtr
PROTECTION PROVIDED			
All In One Protections	Battery deep discharge protection , Over charge protection , Load open Protec		
All In One Operation	Light will glow in full bright mode for first 4Hrs., After 4Hrs. Light will Dim to 33		

TECHNICAL SPECIFICATIONS



AIO Dolphin 25W-30W

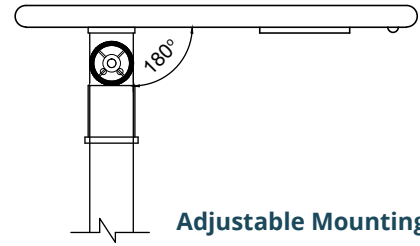
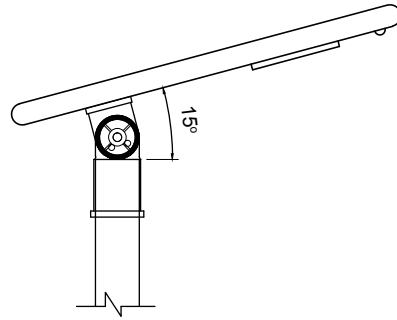
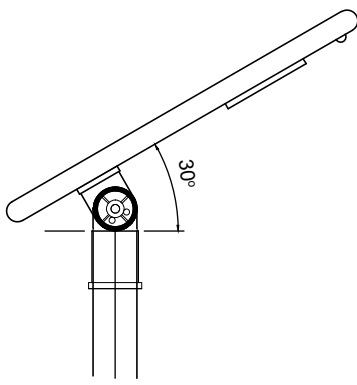


AIO Dolphin 40W-60W

15W LED	18W LED	20W LED	25W LED
40Wp	50Wp	60Wp	75Wp
Li-ion 11.1V/15AH Li-FePO4 12.8V/13.5AH	Li-ion 11.1V/19.8AH Li-FePO4 12.8V/18AH	Li-ion 11.1V/23.4AH Li-FePO4 12.8V/21AH	Li-ion 11.1V/26AH Li-FePO4 12.8V/24AH
Li-ion 11.1V/23.4AH Li-FePO4 12.8V/21AH	Li-ion 11.1V/28.6AH Li-FePO4 12.8V/24AH	Li-ion 11.1V/33AH Li-FePO4 12.8V/27AH	Li-ion 11.1V/39AH Li-FePO4 12.8V/34.5AH
Provided	Provided	Provided	Provided
12kg	13.5kg	15kg	19kg
710(L) x 517(W) x 43(H)	710 (L) x 517(W) x 43(H)	900(L) x 560(W) x 43(H)	1050(L)x 560(W) x 43(H)
PWM	PWM	PWM	PWM
>90%	>90%	>90%	>90%
5500K-6500K	5500K-6500K	5500K-6500K	5500K-6500K
1500	1800	2000	2500
14Hr-15Hr	16Hr-17Hr	17Hr-18Hr	15Hr-16Hr
23Hr-24Hr	23Hr-24Hr	23Hr-24Hr	23Hr-24Hr
920(L) X 580(W) X 150(H)	920(L) X 580(W) X 150(H)	1120(L) X 640(W) X 150(H)	1250(L)x 640(W) x 150(H)
14.5kg	16.8kg	20.8kg	23kg
70mm-76mm	70mm-76mm	70mm-76mm	70mm-76mm
5Mtr	5Mtr-6Mtr	5Mtr-6Mtr	6Mtr

tion ,Charging and battery indication , Reverse current flow protection , Temperature compensation , Short circuit protection

% power and motion sensor will activate for detection of motion. If any motion is detected in 12M area around the Light , then it



Adjustable Mounting Bracket

30W LED	40W LED	50W LED	60W LED
75Wp	100Wp	120Wp	150Wp
Li-ion 11.1V/32AH Li-FePO4 12.8V/28.5AH	Li-ion 11.1V/44.2AH Li-FePO4 12.8V/36AH	Li-ion 11.1V/52AH Li-FePO4 12.8V/45AH	Li-ion 11.1V/63.8AH Li-FePO4 12.8V/54AH
Li-ion 11.1V/48.4AH Li-FePO4 12.8V/42AH	Li-ion 11.1V/63.8AH Li-FePO4 12.8V/54AH	Li-ion 11.1V/85.8AH Li-FePO4 12.8V/69AH	Li-ion 11.1V/96.2AH Li-FePO4 12.8V/81AH
Provided	Provided	Provided	Provided
22kg	25kg	27.5kg	32kg
1050(L)x 560(W) x 43(H)	1350(L)x 560 (W)x 43(H)	1350(L)x 560(W) x 43(H)	1710(L)x 560(W) x 43(H)
PWM/MPPT	PWM/MPPT	PWM/MPPT	PWM/MPPT
>90%	>90%	>90%	>90%
5700K	5700K	5700K	5700K
3750	5000	6250	7500
15Hr-16Hr	15Hr-16Hr	15Hr-16Hr	15Hr-16Hr
23Hr-24Hr	23Hr-24Hr	23Hr-24Hr	23Hr-24Hr
1250(L)x 640(W) x 150(H)	1545(L)x650(W)x150(H)	1545(L)x650(W)x150(H)	1905(L)x650(W)x150(H)
25kg	28kg	30kg	34.3kg
70mm-76mm	70mm-76mm	70mm-76mm	70mm-76mm
6Mtr	6Mtr-8Mtr	6Mtr-8Mtr	6Mtr-8Mtr

Note :- Subject to errors and technical modifications within the scope of product improvement

will glow in full mode for 2min., After that it will again come to 33% Power.



HYBRID

HYBRID ALL IN ONE SOLAR LED STREET LIGHT:

- > All in One Solar Street Light with provision of AC Mains 230V
- > Smart light having feature of Solar and AC street light.
- > Reduced backup problem.
- > Complete integrated light.
- > This smart light comes with all the features of Solar street light & AC street light . It is feeded by SPV & AC mains(230V). It takes takes the solar power at priority and charges the battery. In case the battery is in low condition, then the light is automatically switched to AC mains (230V). It helps to glow the light during rainy/ winter season



Manufactured By:
Devang Solaar

Corporate Office:
4/16, Site-4, Adarsh Industrial Area, Sahibabad,
Ghaziabad (U.P.) -201010 (INDIA)
T: +91 120 4377024 /25 / 26 | E: info@elecssol.com

Manufacturing Unit:
4/5, Site-4, Adarsh Industrial Area, Sahibabad, Ghaziabad (U.P.) -201010

Branch Office :
B-2033, Indra Nagar, Lucknow
(U.P.) -226016 (INDIA)

Radhey Krishna Energy Saver 29 A, Rabindra Sarani,
Near Poddar Court Kolkata - 700073 (INDIA)