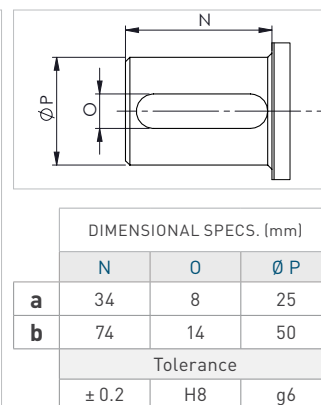
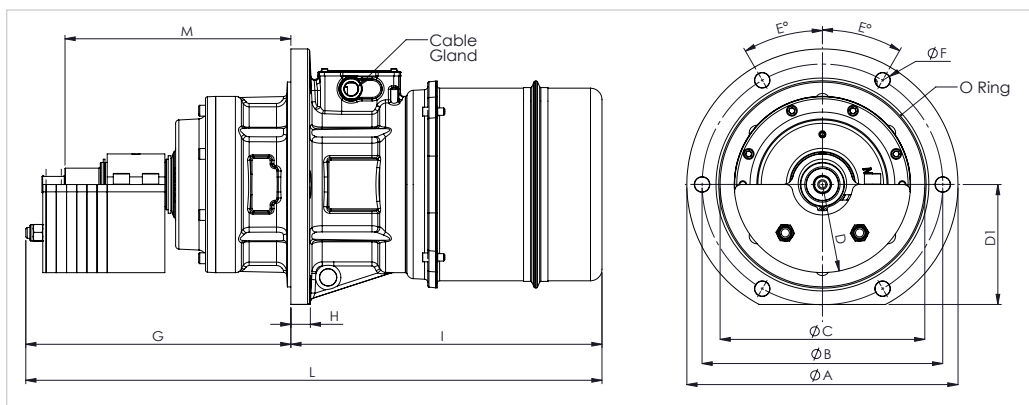




FSD - Flange Screen Device - 50Hz / 60Hz



Wm (kgcm)	Product Code	Model	Poles	Centrifugal Force (kg)		RPM		Weight (kg)	ELECTRICAL SPECIFICATIONS					
				50Hz	60Hz	50Hz	60Hz		Input Power (kW)	Nominal Current A max. (Y)		Ia / In (Ampere)		Cable Gland
				50Hz / 60Hz	n°	50Hz	60Hz			50Hz / 60Hz	50Hz (400V)	60Hz (460V)	50Hz	
387	VDE604500JA0001	FSD 4500/1 AX	6	4,436	6,388	1,000	1,200	210	3.6	7.5	6.9	4.5	4.3	M25
479	VDE605500JA0001	FSD 5500/1 AX	6	5,351	7,711	1,000	1,200	244	5.8	12	10.5	5.5	5.3	M25
757	VDE608500JA0001 *	FSD 8500/1 BP *	6	8,486	12,220	1,000	1,200	296	6.5	13	12.7	6.4	6.4	M32
998	VDE 610500JA0001 *	FSD 10500/1 BP *	6	10,416	15,000	1,000	1,200	375	7.6	13.5	12.7	5.8	6.4	M32
1076	VDE612500JA0001 *	FSD 12500/1 BP *	6	12,306	17,720	1,000	1,200	392	10	17	16	6.2	6.3	M32

* under development, specs to be confirmed

Product Code	Model	DIMENSIONAL SPECIFICATIONS (mm)														
		Ø A	Ø B	Ø C	D	Ø D1	E°	Ø F	G	H	I	L	M	Holes	O Ring	Terminal Shaft
VDE604500JA0001	FSD 4500/1 AX	400	355	302	130	177	30	22	391	28	459	850	333	6	41200	a
VDE605500JA0001	FSD 5500/1 AX	400	355	302	130	177	30	22	431	28	499	930	333	6	41200	a
VDE608500JA0001 *	FSD 8500/1 BP *	560	500	400	180	260	25/27.5	22	357	406	30	460	973	12	61600	b
VDE 610500JA0001 *	FSD 10500/1 BP *	560	500	400	180	260	25/27.5	22	392	478	30	513	991	12	61600	b
VDE612500JA0001 *	FSD 12500/1 BP *	560	500	400	180	260	25/27.5	22	392	493	30	513	1006	12	61600	b

* under development, specs to be confirmed

FSD - FLANGE SCREEN DEVICE

APPLICATION horizontal or inclined vibrating screens, vibrating machines and plants for aggregate, soil and minerals processing.

PROBLEM SOLVING quick and easy installation and maintenance.

FEATURES

INPUT VOLTAGE 400 V

AMBIENT TEMPERATURE -20°C + 40°C

IP 66

PTC Termistor 130°C

INSULATION CLASS F