

OSP-2, OSP-3, OSP-5, OSP-8 & OSP-14

OSP-9, OSP-12, OSP-17, OSP-30, OSP-46 & OSP-60

OSP-77 & OSP-95

OSP-125 & OSP-160

4" 6" 8" 10"

Energy Efficient

Submersible Pump

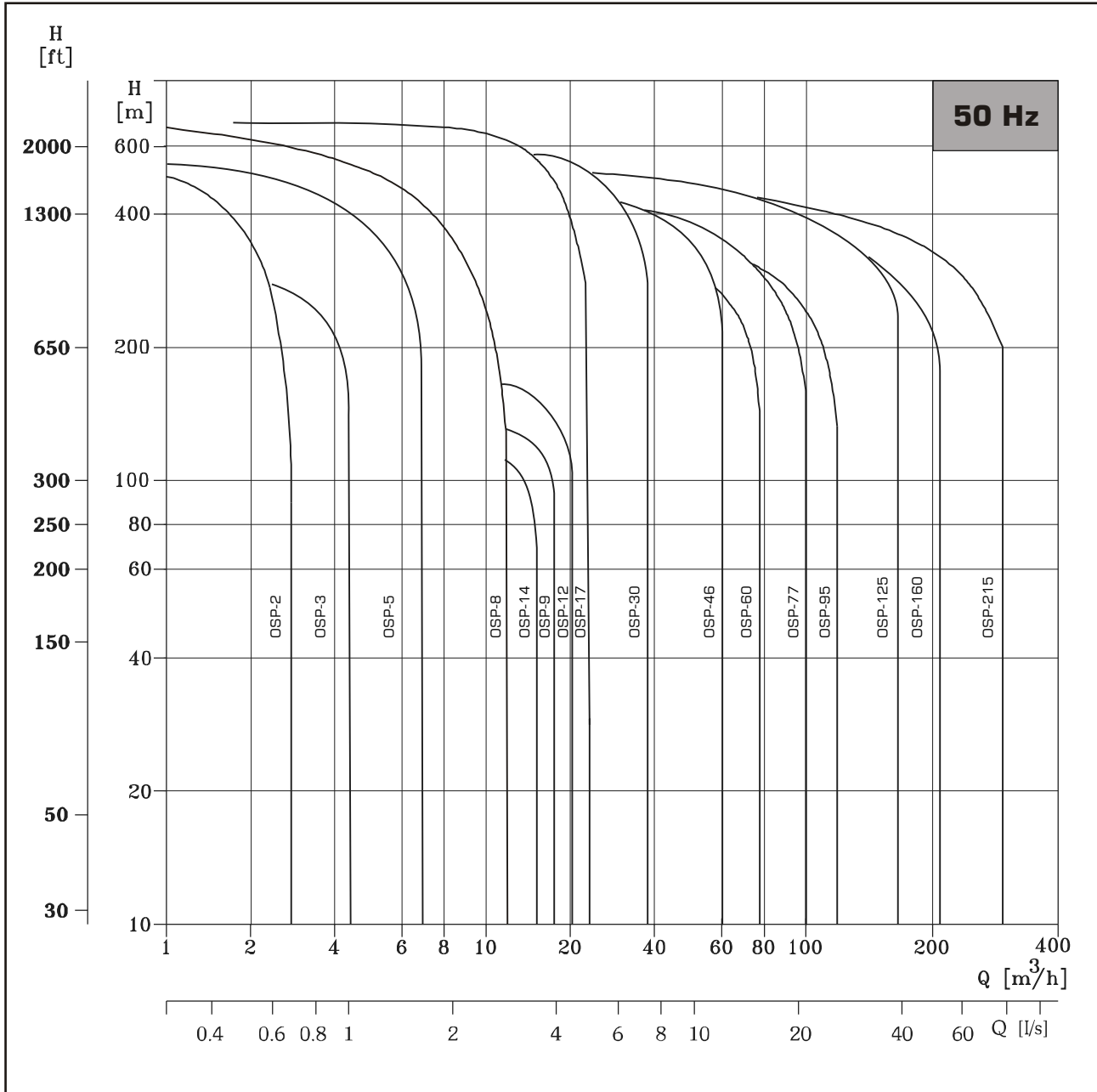
50 Hz



Contents

S.No.	Product Data	Page No.
1	Submersible Pump Curve range	1
2	General Data & Spares Photo	2
3	Features & Benefits	3-4
4	Reduce Energy Cost	4
5	Motor Performnace Data V - 6	5
6	Motor Performnace Data V - 8	6
7	4" Submersible Pump General Data	7
8	4" Submersible Pump Material Specification	8
9	4" Submersible Pump Cross -section	9
Performance Curve ,Performnce Table & Technical Data		
10	4" Radial Flow OSP - 2	10-12
11	4" Radial Flow OSP - 3	13-15
12	4" Radial Flow OSP - 5	16-18
13	4" Radial Flow OSP - 8	19-21
14	4" Radial Flow OSP - 14	22-24
15	6" Submersible Pump General Data	25
16	6" Submersible Pump Material Specification	26-28
17	6" Mix Flow OSP - 9	29-36
18	6" Mix Flow OSP - 12	36-44
19	6" Mix Flow OSP - 17	45-54
20	6" Mix Flow OSP - 30	55-62
21	6" Mix Flow OSP - 46	63-72
22	6" Mix Flow OSP - 60	73-80
23	8"Submersible Pump General Data	81
24	8" Submersible Pump Material Specification	82
25	8" Mix Flow OSP - 77	83-90
26	8" Mix Flow OSP - 95	91-98
28	10" Submersible Pump General Data	99
29	10" Submersible Pump Material Specification	100
30	10" Mix Flow OSP - 125	101-108
31	10" Mix Flow OSP - 160	109-115

Curve Range



General Data

OSWAL submersible pumps & motors are well known for its quality, Reliability & excellent for all type of service purpose. **OSWAL** submersible pumps & motors are manufactured under supervision of highly qualified technical team with a stage wise rigid inspection procedure under TQM concepts.

OSWAL team are well known for their excellent services after sales. The company has also obtained BIS certificate for ISI mark and through continuous process improvements & streamlining the quality system at par with the international standards has now acquired ISO:9001:2000 certifications.

Application of Bore well submersible pumps are Hospitals, Water circulation systems, Water supply systems of Government, Irrigation, Farms, Drip & sprinkler irrigation, Gardening, Nurseries, Domestic water supply, Multi-storeyed Building & Industrial water supply systems & Hotels.

OSWAL has successfully developed its energy efficient and cost efficient pump manufacturing of fully fabricated S.S.-304 with a quality level as per international standard. The company has offering quality product at a lowest price. the company has exporting pump sets to developed countries and the same quality is supply in domestic market.

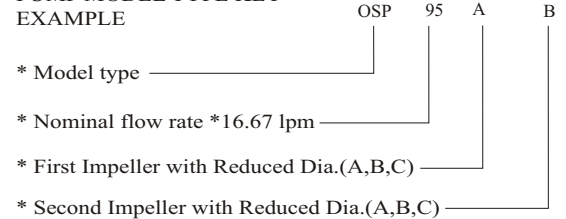
OSWAL Submersible Pumpsets of modular design suitable for under-water operation for universal fit, all mounting dimensions of pumps and motors are in accordance with NEMA standards. **OSWAL** submersible pumpset are of completely S.S.-304 construction with fabricated technology, light weight easy for handling, life longevity, pump shaft using Duplex steel for high wear resistance.

OSWAL WATER FILLED AND WATER COOLED SUBMERSIBLE MOTORS confirm to IS : 9283. & Pump set confirm to IS : 8034.

GENERAL DATA

- * Duty Dish : 150 to 2700 LPM.
- * Pumped liquid : Clean water free from solid, Chemically Natural & Close the characteristics of water.
- * Max. liquid temperature : 45°C.
- * Max. Quantity of sand : 50gm/m³.
- * Minimum Suction head required : 1.5 meter.
- * Starts/hours : max. 30 at Regular intervals.

PUMP MODEL TYPE KEY



TYPE		OSP 9	OSP 12	OSP 17	OSP 30	OSP 46	OSP 60	OSP 77	OSP 95	OSP 125	OSP 160
Steel : S.S.-304		+	+	+	+	+	+	+	+	+	+
Connection: Rp (Inches)	BSP Thread	2"	2"	2.5"	3"	4"	4"	5"	5"	6"	6"
	NPT Thread	2"	2"	3"	3"	4"	4"	5"	5"	6"	6"

PUMPED LIQUIDS

- * Clean, thin, non-aggressive liquids without solid particles.

OPERATING CONDITIONS

- * Flow Range (min. to max.) - 6-204 M³/h
- * Head, H : Maximum 670 m.

Maximum Liquid Temperature

Motor	Installation		
	Flow velocity- past motor	Vertical	Horizontal
6"	0.15 m/s	40°C	40°C

Operating pressure: Maximum 67 bar.

CURVE CONDITIONS

- * The conditions below apply to the curves shown on the following pages :

CURVES

- * **Q/H** : The curves are inclusive of losses such as NRV losses at the actual speed. Operation without non-return valve will increase the actual head at nominal performance by 0.5 to 1.0 m.
- * **Power Curve** : (BPKW) For Particular Stage shows pump power.
- * **Efficiency Curve** : Efficiency shows pump stage efficiency.



Features And Benefits

A Wide Pump Range

- * We offers submersible pumps with energy-efficient duty points ranging from 2 to 160 m³/h. The pump range consist of many pump sizes (Stages) to match any duty point.

High Pumps Efficiency

- * Often pump efficiency is a neglected factor compared to the price variations are without importance of pump and motor efficiencies.

Example

- * Pumping water-30m³/h with a head of 60 meter.
- * When chosen stainless steel energy efficient pump, be saved (than other pumps) 4unit (kwh) per hour.
- * It save Rs. 4,60,000 in 10 year for 8 hours / day running)

Applications

- * We offers a complete range of pumps and motors with as a standard are made completely as stainless steel - 304. This provides for good wear resistance and a reduced risk of corrosion when pumping ordinary cold water with a minor content of chloride.

Low Installation Cost

- * These pumps have low weight facilitating the handling of pumps and resulting in low equipment costs and reduced installation and service time. In addition pumps will be as new after service due to the high wear resistance of stainless steel.

Bearing with Sand Channels

- * All bearing are water-Lubricated and have a octagone shape enabling sand particles.

Inlet Strainer

- * The inlet strainer prevents particles over a certain size from entering the pump.

Non-Return Valve

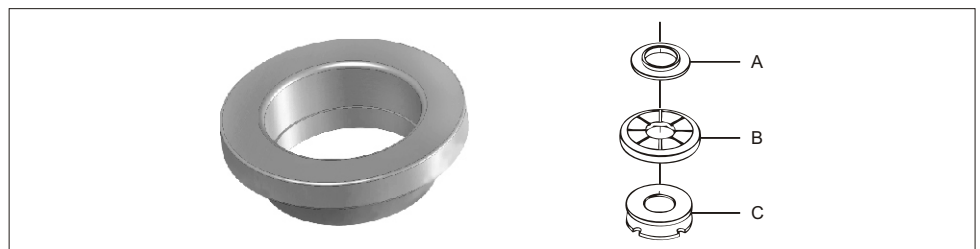
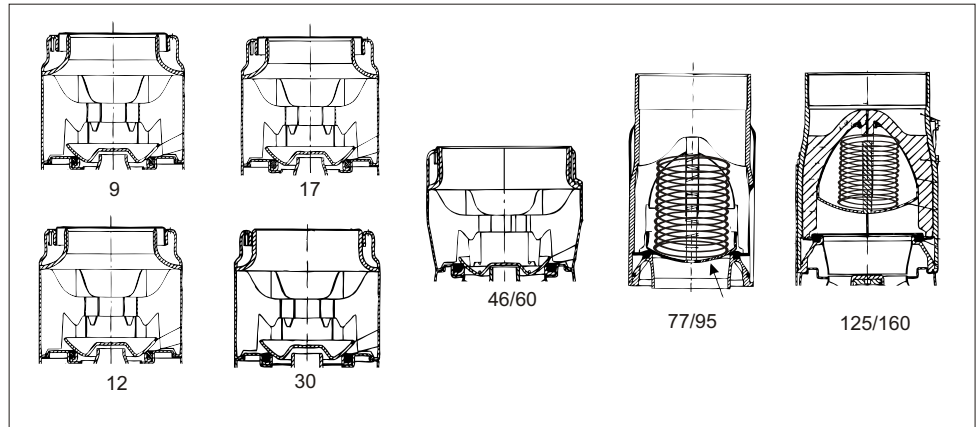
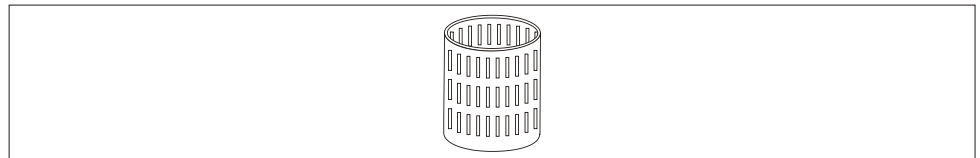
- * All pumps are equipped with a non-return valve in the valve casing preventing back flow in connection with pump stoppage.
- * Furthermore, the short closing time of the non-return valve means that the risk of destructive water hammer is reduced to the minimum.
- * The valve casing is designed for optimum hydraulic properties, to minimize the pressure loss across the valve and thus contributes to the high efficiency of the pump.

Stop Ring

- * The stop ring prevents damage to the pump during transport and in case of up-thrust in connection with start-up.
- * The stop ring, which is designed as a thrust bearing limits axial movements of the pump shaft.
- * Example : OSP - 30

GENERAL

- * Curve tolerance according to ISO 9906, Annex A&B.
- * The performance curves show pump performance at actual speed of standard motor range.
- * The speed of the motors is approximately:
N=2850 min⁻¹
- * The measurements were made with airless water at a temperature of 20°C. The curves apply to a kinematic viscosity of 1mm²/s. When pumping liquids with a density higher than that a water, motors with correspondingly higher outputs must be used.
- * The bold curves indicate the performance range.



Features And Benefits

Material & Design for wear & corrosion resistance

Stainless steel submersible pumps can run very well in cold and clear water however Ground water abrasive like sand which can quickly wear out both the pumps and motor. **OSWAL** has designed & developed the OSP series pumps which are made completely out of High grade stainless steel and rubber of excellent quality to ensure that the sand abrasive. Do not wear out the pump.

High pump efficiency & Minimum cost :-

The initial cost of purchasing a pump is a fraction of the total cost of owning & operating a pump over its entire life span. High pump efficiency and minimum cost is thinking about the total cost of ownership during the entire life span of the pumps .it means that you should know and ensure that energy cost and maintenance cost which contribute 95% of the total cost of ownership is brought down as much as possible . it also means the benefit of business relationship with **OSWAL** pumps like assistance in making the correct decision about the performance over the life span of the pumps.

OSWAL OSP series pump can help you , bring down the operating cost by offering higher pumping efficiency, due to excellent hydraulic design and using high strength stainless steel material which offer high wear resistance. Which significantly reduces energy consumption . **OSWAL** can also help you by providing during selection and installation of the pump.

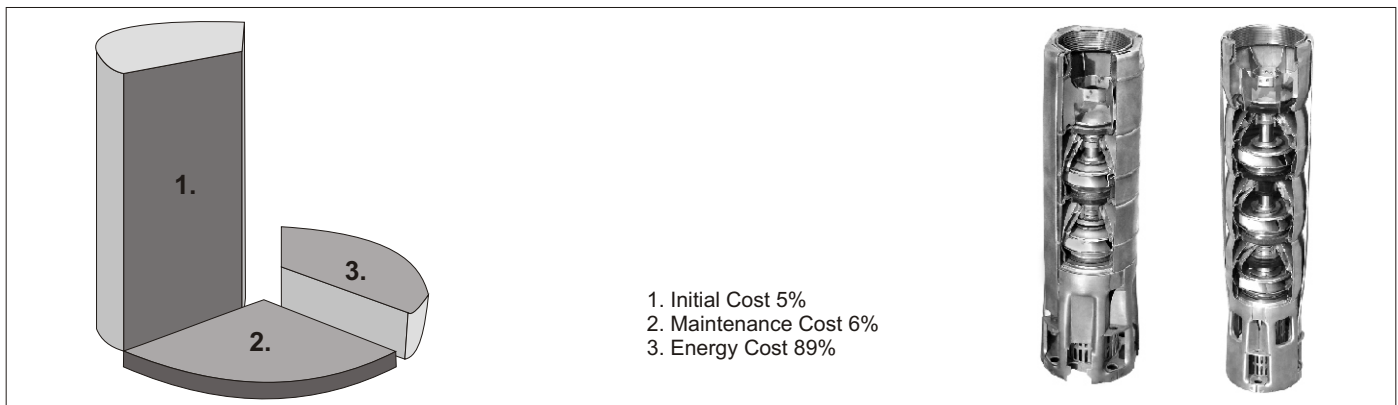
Energy efficient pumps :-

Calculate the energy cost in KWH/ M³ or KWH / gallon which includes losses in motor ,pump, cable etc. **OSWAL** offer OSP series pumps with highest efficiency in the industry.

Let us compare energy cost between ordinary pump XYZ against the OSP series pump manufactured by **OSWAL** pumps Ltd.

	XYZ Company	OSWAL
Model	ABC	OSP - 60
HP	40	40
KW	30	30
Stage	17	17
Head (Meter)	131	131
Flow (M ³ / hr.)	60	60
Cost (in US doller)	700	1160
Cost (in INRs.)	30,000	50,000
Motor eff.	78 %	84 %
Pump eff.	60 %	75 %
Overall eff.	46.8 %	63 %
Input power	45.74 KWH	34 KWH
KWH / Day (for 8hrs. operation)	365.9 KWH	272 KWH
KWH / Year	133553 KWH	99280 KWH
KWH / 10Year	1335530 KWH	992800 KWH
Energy Cost (in US doller)	166941	124100
EnergyCost (in INRs.)	6677650	4964000

Saving in energy cost alone will be US doller 42841 & INRs.1713650 in the 10 years. Thus if you purchase the **OSWAL** OSP-60 pump then the payback period will be 105 days (less then 4 month).



6" Rewindable Motors Performance Data 50 Hz

P _n [Kw]	Thrust F[N]	U _N [V]	n _N [min ⁻¹]	I _N [A]	I _A [A]	η(Eff.) [%] at % load			Cos φ (PF) at % load			T _N [Nm]	T _A [Nm]
						50	75	100	50	75	100		
4	15500	380	2910	10.4	48	0.71	0.75	0.76	0.59	0.71	0.78	13.1	15.5
		400	2930	10.6	51	0.68	0.73	0.76	0.53	0.65	0.73	13.1	17.3
		415	2930	10.9	53	0.65	0.72	0.76	0.50	0.61	0.69	13.0	18.8
5.5	15500	380	2860	13.7	48	0.74	0.76	0.75	0.67	0.78	0.83	18.3	15.5
		400	2890	13.3	51	0.72	0.76	0.76	0.62	0.74	0.81	18.2	17.3
		415	2890	13.4	53	0.71	0.75	0.75	0.59	0.71	0.78	18.1	18.8
7.5	15500	380	2860	18.3	69	0.77	0.78	0.76	0.70	0.80	0.84	25.0	19.2
		400	2880	17.7	63	0.75	0.78	0.77	0.65	0.76	0.82	24.8	21.5
		415	2890	17.7	65	0.73	0.77	0.77	0.61	0.73	0.80	24.7	23.4
9.3	15500	380	2850	22.0	74	0.79	0.80	0.78	0.71	0.80	0.84	31.1	25.9
		400	2870	21.4	78	0.78	0.79	0.78	0.64	0.76	0.82	31.0	29.0
		415	2880	21.2	81	0.76	0.79	0.78	0.60	0.72	0.80	30.9	31.4
11.0	15500	380	2860	25.8	93	0.78	0.80	0.78	0.71	0.80	0.85	36.7	31.5
		400	2880	25.2	98	0.77	0.80	0.79	0.65	0.76	0.83	36.4	35.3
		415	2890	25.1	102	0.75	0.78	0.79	0.61	0.73	0.80	36.3	38.2
13.0	15500	380	2880	30.1	118	0.80	0.81	0.80	0.68	0.79	0.84	43.1	45.0
		400	2900	29.0	125	0.78	0.80	0.80	0.61	0.74	0.81	42.8	50.3
		415	2900	29.7	130	0.76	0.79	0.80	0.57	0.70	0.78	42.7	54.6
15.0	15500	380	2880	33.9	140	0.81	0.82	0.81	0.71	0.81	0.85	49.7	53.9
		400	2890	33.1	145	0.79	0.81	0.81	0.65	0.77	0.83	49.4	60.4
		415	2900	33.0	154	0.77	0.80	0.81	0.60	0.73	0.81	49.3	65.5
18.5	15500	380	2860	42.3	172	0.81	0.82	0.81	0.68	0.78	0.84	61.7	75.2
		400	2880	42.0	182	0.78	0.81	0.81	0.61	0.74	0.80	61.2	84.3
		415	2890	42.5	189	0.76	0.79	0.80	0.57	0.70	0.77	61.1	91.3
22.0	15500	380	2880	49.1	218	0.82	0.84	0.83	0.68	0.78	0.84	72.6	91.2
		400	2900	49.0	231	0.80	0.82	0.82	0.61	0.73	0.80	72.5	102.2
		415	2910	49.6	240	0.77	0.81	0.82	0.56	0.69	0.77	72.2	110.7
26.0	15500	380	2880	57.5	268	0.83	0.84	0.83	0.68	0.79	0.86	86.0	120.4
		400	2900	56.7	281	0.81	0.83	0.83	0.61	0.74	0.83	85.6	134.7
		415	2910	57.3	296	0.78	0.82	0.82	0.56	0.69	0.80	85.3	146.1
30.0	27500	380	2900	66.4	328	0.82	0.84	0.83	0.67	0.78	0.84	98.8	135.0
		400	2910	66.4	347	0.80	0.83	0.83	0.60	0.73	0.80	98.4	151.0
		415	2910	67.5	361	0.77	0.81	0.82	0.55	0.68	0.74	98.2	163.0
37.0	27500	380	2890	82.0	409	0.83	0.84	0.83	0.67	0.78	0.85	122.1	192.8
		400	2900	81.9	433	0.80	0.83	0.83	0.60	0.72	0.80	121.6	215.8
		415	2910	83.9	450	0.77	0.81	0.82	0.55	0.68	0.76	121.3	234.0

8" Rewindable Motors Performance Data 50 Hz

P _n [Kw]	Thrust F[N]	U _N [V]	n _N [min ⁻¹]	I _N [A]	I _A [A]	η(Eff.) [%] at % load			Cos φ (PF) at % load			T _N [Nm]	T _A [Nm]
						50	75	100	50	75	100		
30	45000	380	2880	63	300	83.5	84.4	83.1	0.89	0.88	0.89	99	126
		400	2900	60	318	83.6	85.0	84.3	0.80	0.86	0.89	99	141
		415	2910	58	332	83.5	85.2	84.9	0.77	0.79	0.88	98	151
37	45000	380	2890	79	378	84.6	85.3	84.9	0.80	0.86	0.88	122	156
		400	2900	76	400	83.9	85.2	84.6	0.74	0.82	0.86	122	176
		415	2910	75	412	82.6	84.5	84.3	0.70	0.80	0.84	121	190
45	45000	380	2900	93	491	85.8	86.4	85.2	0.79	0.86	0.88	149	218
		400	2910	90	520	85.3	86.5	85.9	0.74	0.82	0.86	148	241
		415	2910	89	541	84.5	86.2	85.8	0.69	0.79	0.84	148	263
52	45000	380	2900	107	575	86.5	86.7	85.3	0.81	0.87	0.89	175	284
		400	2910	103	608	86.4	87.1	86.2	0.76	0.84	0.87	175	318
		415	2920	101	633	86.6	87.0	86.7	0.71	0.80	0.85	174	345
55	45000	380	2900	114	624	86.5	86.9	85.7	0.78	0.85	0.88	182	301
		400	2910	110	660	85.9	87.0	86.4	0.72	0.82	0.86	181	340
		415	2920	109	688	84.8	86.4	86.2	0.67	0.78	0.84	181	366
60	45000	380	2900	122	698	87.2	87.6	86.5	0.81	0.87	0.89	198	319
		400	2900	116	725	86.8	87.7	87.0	0.77	0.84	0.88	197	357
		415	2910	115	768	86.1	87.4	87.1	0.73	0.82	0.86	197	387
67	45000	380	2920	137	759	87.2	87.6	86.4	0.79	0.86	0.89	220	352
		400	2900	133	797	86.5	87.5	86.9	0.74	0.82	0.86	220	395
		415	2910	131	828	85.6	87.0	86.6	0.69	0.79	0.84	219	427
75	45000	380	2920	154	892	86.7	87.1	85.9	0.79	0.86	0.89	247	419
		400	2910	148	942	86.2	87.3	86.7	0.74	0.83	0.87	246	472
		415	2920	147	982	85.4	86.9	86.6	0.69	0.79	0.84	245	510
83	45000	380	2925	166	1019	87.8	88.3	87.2	0.81	0.87	0.89	275	483
		400	2910	160	1073	87.5	88.4	87.6	0.77	0.84	0.88	273	544
		415	2920	156	1120	87.2	88.4	88.0	0.73	0.82	0.86	273	586
93	45000	380	2910	188	1186	87.8	88.4	87.5	0.77	0.85	0.88	306	597
		400	2920	183	1276	87.2	88.3	87.8	0.71	0.81	0.86	305	626
		415	2930	184	1308	86.2	87.8	87.7	0.65	0.76	0.83	305	676

4" Submersible Pump General Data

Construction

- Submersible motor and pumps for deep wells of 4" (100 mm)
- All sizes of pumps according to the NEMA standard
- OSP series pumps are completely made out of AISI 304 stainless steel material .
- Radial flow Model : OSP-2 , OSP-3,OSP-5,
- Mixed flow Model : OSP-8 , OSP-14

Application

- For water supply
- For irrigation
- For civil and industrial applications.
- For fire fighting application

General Data

- Head rang up to 350 meters
- Flow range up to 18 M³/ hr.

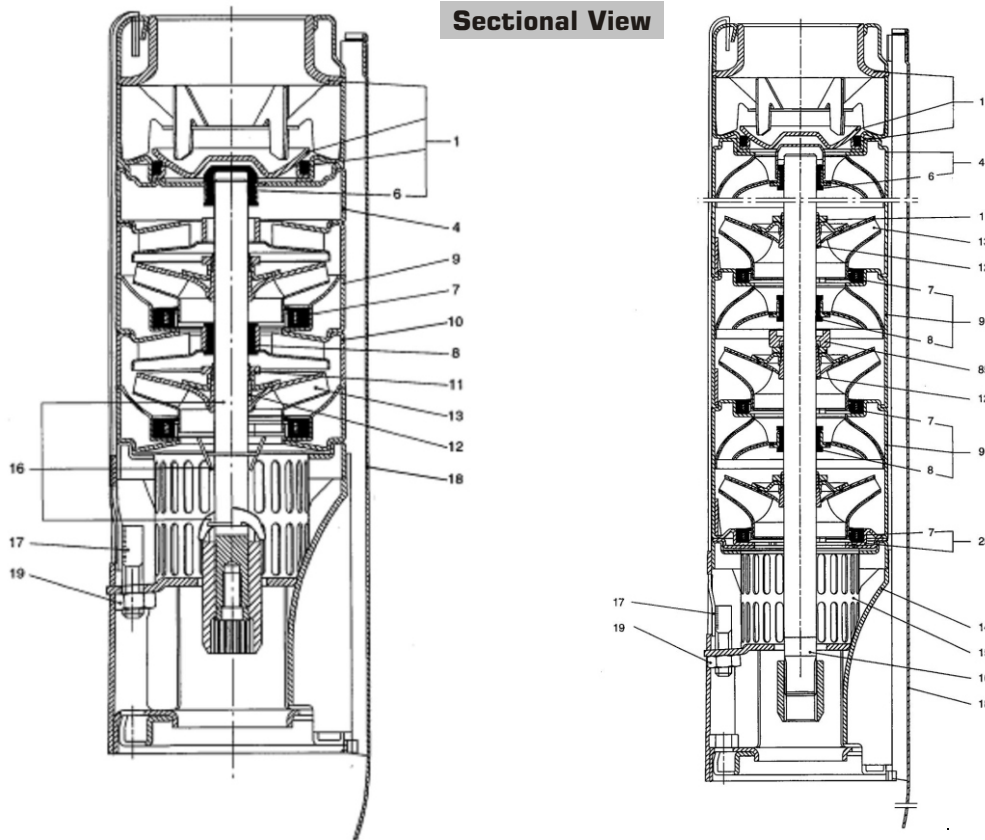
Operating condition

- Maximum liquid temperature : 45°C
- Maximum quantity of sand 50 gm / m³
- Minimum suction head required : 1.5 meter.
- Max. start per hour 30 at regular intervals.
- Direction of rotation : clockwise as seen from the pump coupling side.

Special construction on request

- Also available in NPT connection.

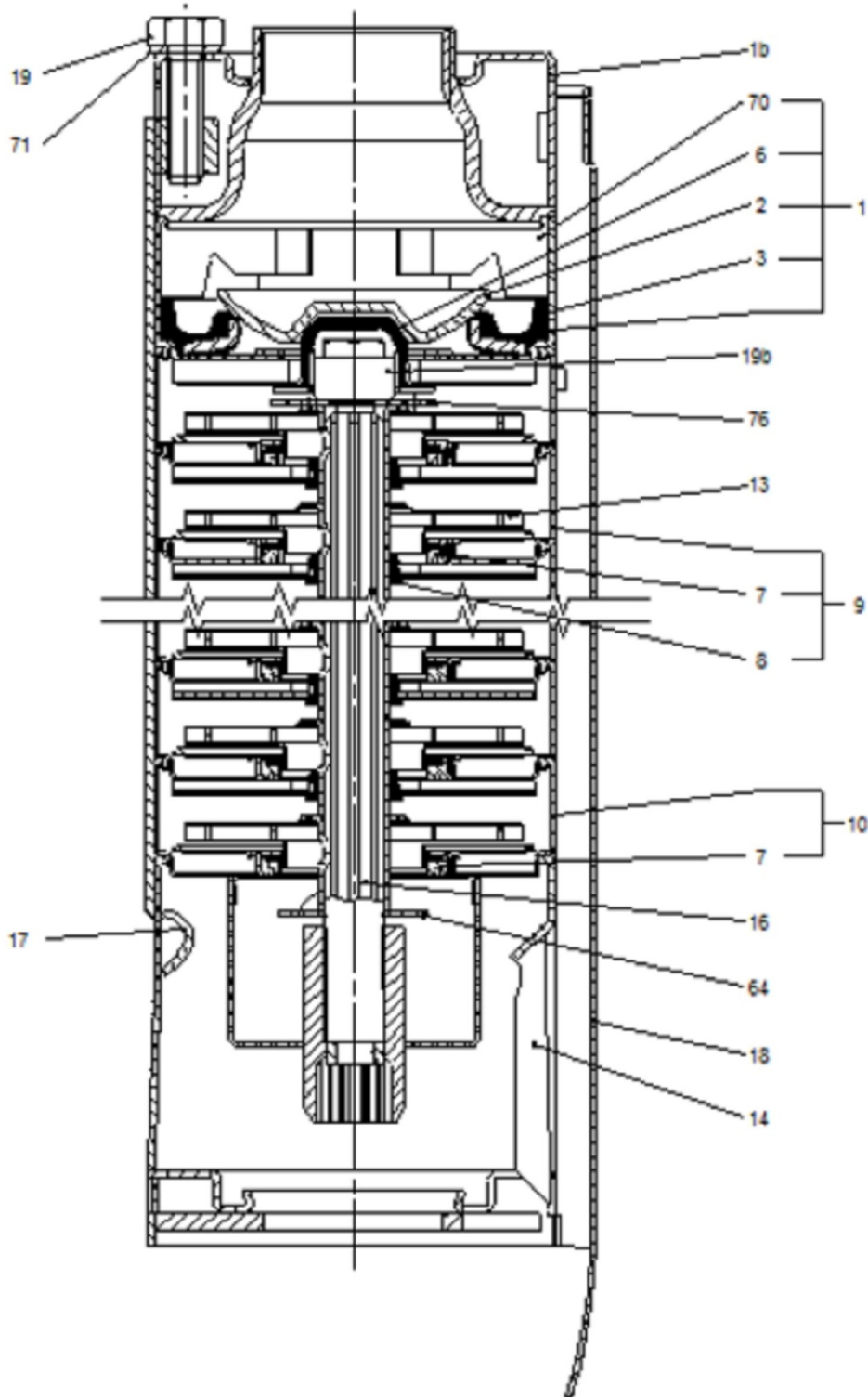
Material of Construction



MATERIAL SPECIFICATION OF OSP -2 , OSP-3, OSP-5,OSP-8,OSP-14		
S.NO.	COMPONENTS	MATERIAL GRADE
1	Valve casing	SS-304
4	Top diffuser cup	SS-304
6	Top bearing bush	NBR
7	Neckring	NBR + SS-304
8	Stage bearing bush	NBR
9	Diffuser cup	SS-304
10	Ist stage cup	SS-304
11	Split cone nut	SS-304
12	Split cone	SS-304
13	Impeller	SS-304
14	Suc.case	SS-304
15	Strainer	SS-304
16	Pump Shaft Comp.	SS-304
17	Strap	SS-304
18	Cable guard	SS-304
19	Nut	SS-304
19a	Nut	SS-304

Material of Construction

Sectional View



Raidal Flow Pump

Performance Chart

OSP-2

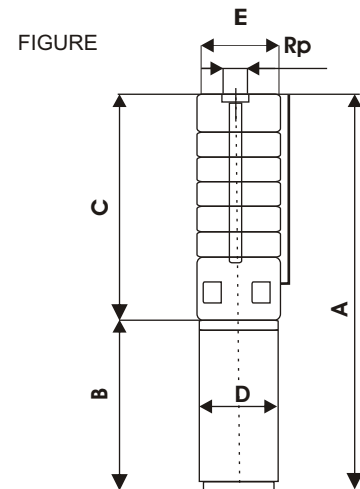
MODEL	K.W.	H.P.	Stage	Motor joining	Out let Size	Discharge						
						M ³ /H (LPM)	0	1	1.4	2	2.4	2.7
OSP - 2 (E)	0.37	0.5	6	V-4	1¼"	HEAD IN METERS	0	17	23	33	40	45
OSP - 2 (E)	0.37	0.5	9	V-4	1¼"		35	31	29	23	14	8
OSP - 2 (E)	0.55	0.75	13	V-4	1¼"		52	46	43	35	22	12
OSP - 2 (E)	0.75	1	18	V-4	1¼"		75	67	62	51	31	17
OSP - 2 (E)	1.1	1.5	23	V-4	1¼"		104	93	86	70	43	23
OSP - 2 (E)	1.5	2	28	V-4	1¼"		133	118	109	90	55	30
OSP - 2 (E)	1.5	2	33	V-4	1¼"		162	144	133	109	67	36
OSP - 2 (E)	2.2	3	40	V-4	1¼"		191	170	157	129	79	43
OSP - 2 (E)	2.2	3	48	V-4	1¼"		232	206	190	156	96	52
OSP - 2 (E)	3	4	55	V-4	1¼"		278	247	228	187	115	62
OSP - 2 (E)	3	4	65	V-4	1¼"		319	283	261	215	132	72
OSP - 2 (E)	3.7	5	75	V-4	1¼"		377	335	309	254	156	85
OSP - 2 (E)	4.5	6	90	V-4	1¼"		435	386	356	293	180	98
OSP - 2 (E)	4.5	6	90	V-4	1¼"		522	464	428	351	216	117

Dimension & weights of Pump with Oil filled Motor

Technical Data

OSP-2

Type	STAGE	MOTOR		PUMP			MOTOR
		JOINING MOTOR	POWER (KW)	Length C	E*	Weight Kg	OD D
OSP-2 (E) + OSO	6	V-4	0.37	281	101	3.3	97
OSP-2 (E) + OSO	9	V-4	0.37	344	101	4.1	97
OSP-2 (E) + OSO	13	V-4	0.55	428	101	4.9	97
OSP-2 (E) + OSO	18	V-4	0.75	533	101	6.0	97
OSP-2 (E) + OSO	23	V-4	1.1	638	101	6.6	97
OSP-2 (E) + OSO	28	V-4	1.5	743	101	8.1	97
OSP-2 (E) + OSO	33	V-4	1.5	844	101	8.9	97
OSP-2 (E) + OSO	40	V-4	2.2	1040	101	16.1	97
OSP-2 (E) + OSO	48	V-4	2.2	1208	101	17.9	97
OSP-2 (E) + OSO	55	V-4	3	1355	101	21.1	97
OSP-2 (E) + OSO	65	V-4	3	1565	101	24.1	97
OSP-2 (E) + OSO	75	V-4	3.7	1956	101	36.1	97
OSP-2 (E) + OSO	90	V-4	4.5	2269	101	43.2	97

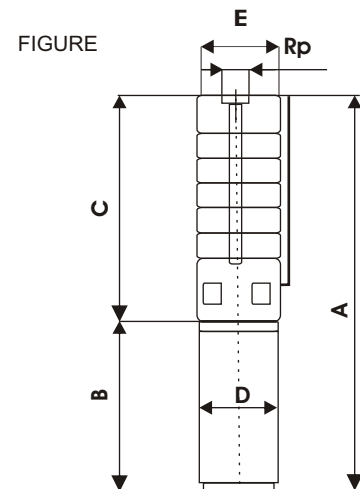


Dimension & weights of Pump with Water filled Motor

Technical Data

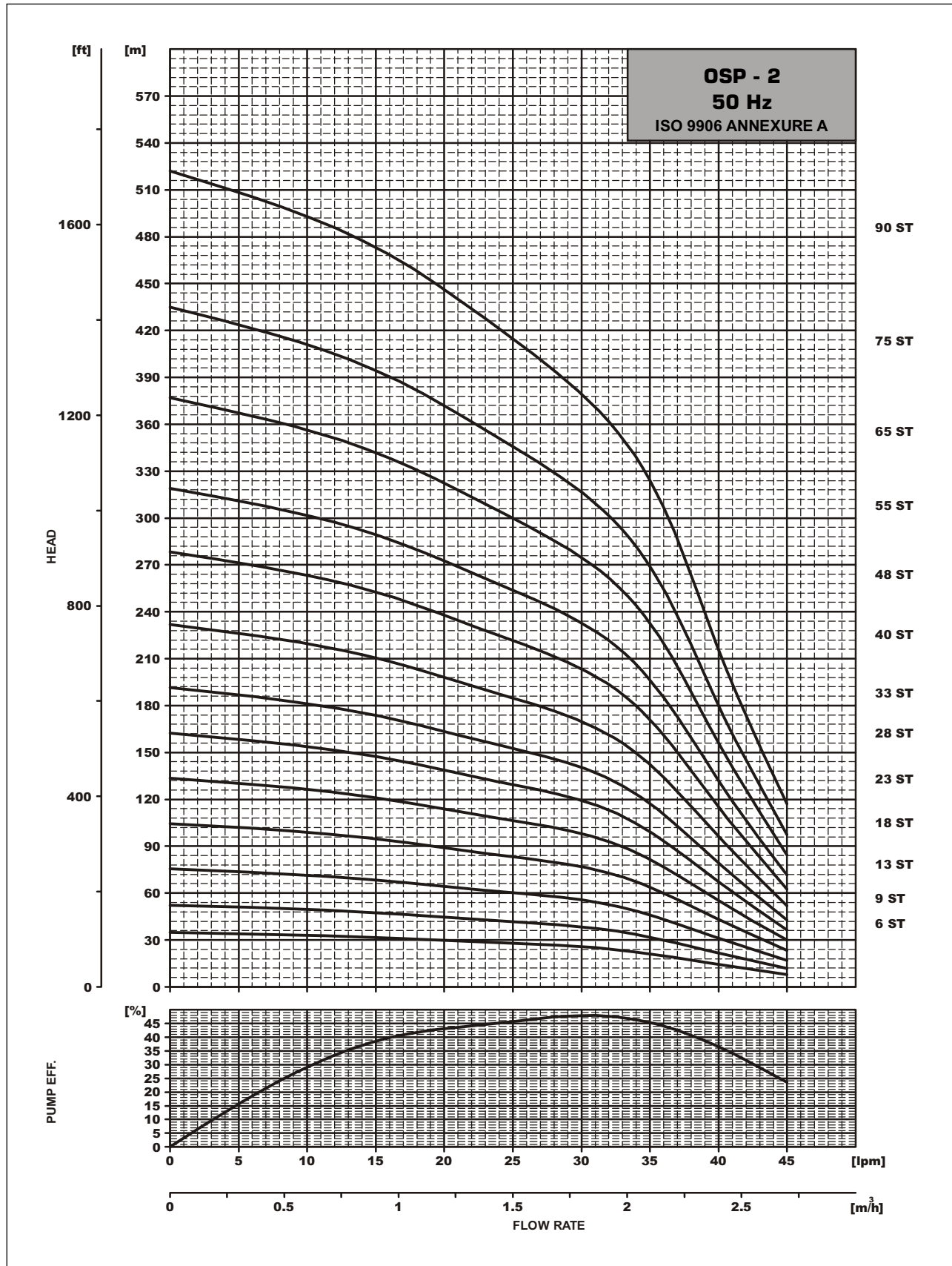
OSP-2

Type	STAGE	MOTOR		PUMP			MOTOR
		JOINING MOTOR	POWER (KW)	Length C	E*	Weight Kg	OD D
OSP-2 (E) + OSW	6	V-4	0.37	281	101	3.3	97
OSP-2 (E) + OSW	9	V-4	0.37	344	101	4.1	97
OSP-2 (E) + OSW	13	V-4	0.55	428	101	4.9	97
OSP-2 (E) + OSW	18	V-4	0.75	533	101	6.0	97
OSP-2 (E) + OSW	23	V-4	1.1	638	101	6.6	97
OSP-2 (E) + OSW	28	V-4	1.5	743	101	8.1	97
OSP-2 (E) + OSW	33	V-4	1.5	844	101	8.9	97
OSP-2 (E) + OSW	40	V-4	2.2	1040	101	16.1	97
OSP-2 (E) + OSW	48	V-4	2.2	1208	101	17.9	97
OSP-2 (E) + OSW	55	V-4	3	1355	101	21.1	97
OSP-2 (E) + OSW	65	V-4	3	1565	101	24.1	97
OSP-2 (E) + OSW	75	V-4	3.7	1956	101	36.1	97
OSP-2 (E) + OSW	90	V-4	4.5	2269	101	43.2	97

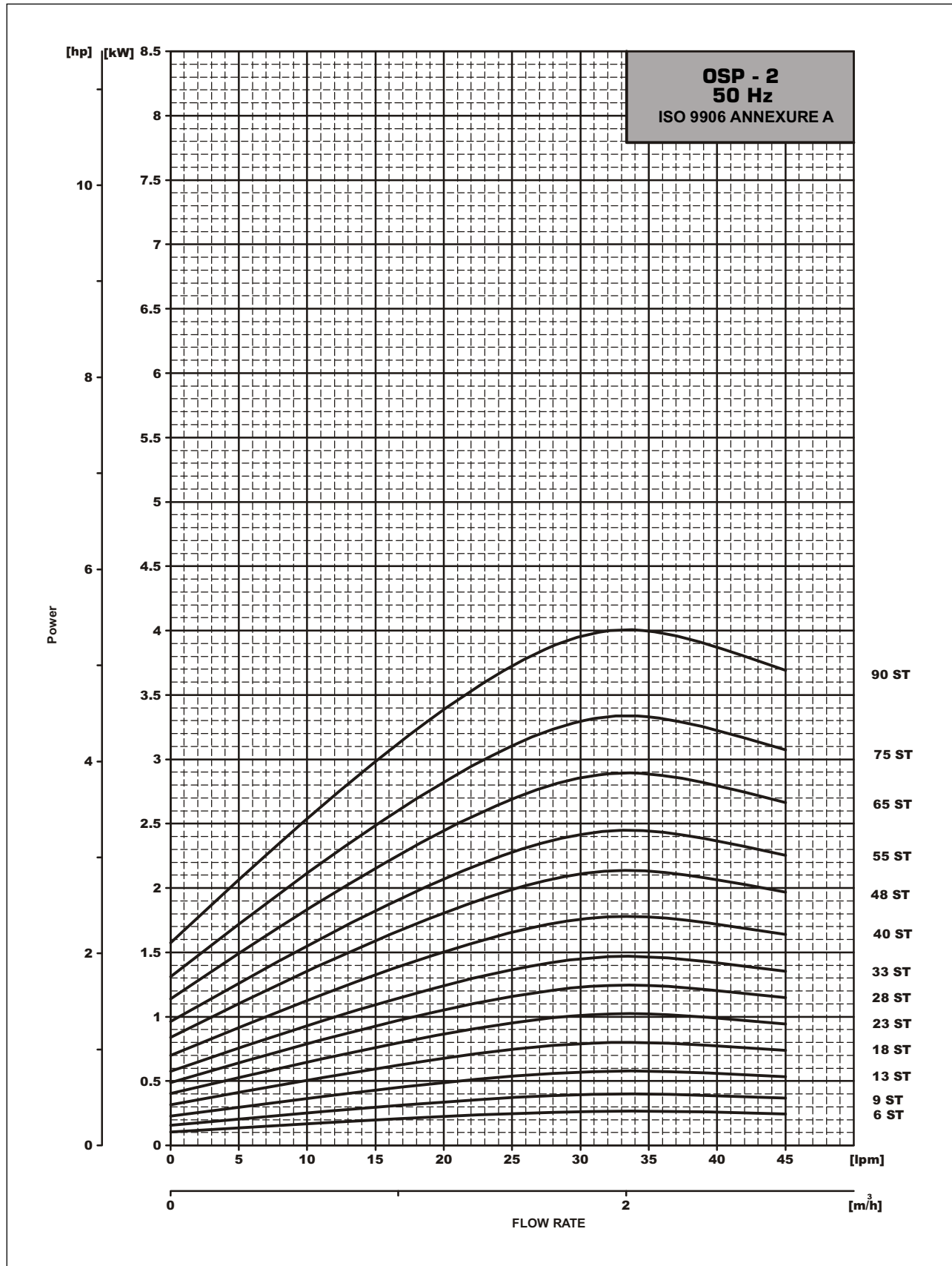


* MAX. DIA OF PUMP WITH ONE MOTOR CABLE

Performance Curves



Power Curves



Raidal Flow Pump

Performance Chart

OSP-3

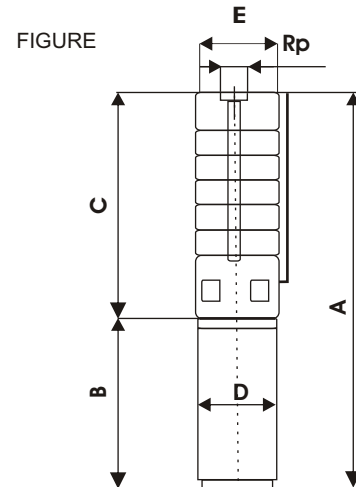
MODEL	K.W.	H.P.	Stage	Motor joining	Out let Size	Discharge					
						M ³ / H (LPM)	0	1.8	2.4	3	3.6
OSP - 3 (E)	0.37	0.5	6	V-4	1½"	0	30	40	50	60	67
OSP - 3 (E)	0.55	0.75	9	V-4	1½"	36	32	30	26	20	16
OSP - 3 (E)	0.75	1	12	V-4	1½"	54	49	45	39	31	23
OSP - 3 (E)	1.1	1.5	15	V-4	1½"	72	65	60	52	41	31
OSP - 3 (E)	1.1	1.5	18	V-4	1½"	90	81	75	65	51	39
OSP - 3 (E)	1.5	2	22	V-4	1½"	108	97	90	78	61	47
OSP - 3 (E)	1.5	2	25	V-4	1½"	132	119	110	96	75	57
OSP - 3 (E)	2.2	3	29	V-4	1½"	150	135	125	109	85	65
OSP - 3 (E)	2.2	3	33	V-4	1½"	174	157	145	126	99	75
OSP - 3 (E)	3	4	39	V-4	1½"	198	178	165	144	112	86
OSP - 3 (E)	3	4	45	V-4	1½"	234	211	195	170	133	101
OSP - 3 (E)	3.7	5	52	V-4	1½"	270	243	225	196	153	117
OSP - 3 (E)	4.5	6	60	V-4	1½"	312	281	260	226	177	135
OSP - 3 (E)						360	324	300	261	204	156

Dimension & weights of Pump with Oil filled Motor

Technical Data

OSP-3

PUMP MODEL	STAGE	MOTOR		PUMP			MOTOR
		JOINING MOTOR	POWER (KW)	Length C	E*	Weight Kg	OD D
OSP-3 (E)+OSO	6	V-4	0.37	281	101	3.3	97
OSP-3 (E)+OSO	9	V-4	0.55	344	101	3.9	97
OSP-3 (E)+OSO	12	V-4	0.75	407	101	4.3	97
OSP-3 (E)+OSO	15	V-4	1.1	470	101	5.1	97
OSP-3 (E)+OSO	18	V-4	1.1	533	101	6.1	97
OSP-3 (E)+OSO	22	V-4	1.5	617	101	6.6	97
OSP-3 (E)+OSO	25	V-4	1.5	680	101	7.6	97
OSP-3 (E)+OSO	29	V-4	2.2	764	101	8.2	97
OSP-3 (E)+OSO	33	V-4	2.2	848	101	9.3	97
OSP-3 (E)+OSO	39	V-4	3	1019	101	15.2	97
OSP-3 (E)+OSO	45	V-4	3	1145	101	16.8	97
OSP-3 (E)+OSO	52	V-4	3.7	1292	101	19.8	97
OSP-3 (E)+OSO	60	V-4	4.5	1460	101	22.2	97

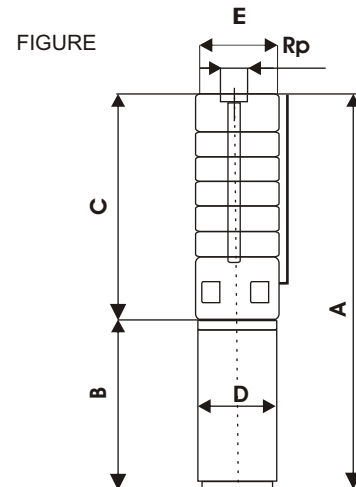


Dimension & weights of Pump with Water filled Motor

Technical Data

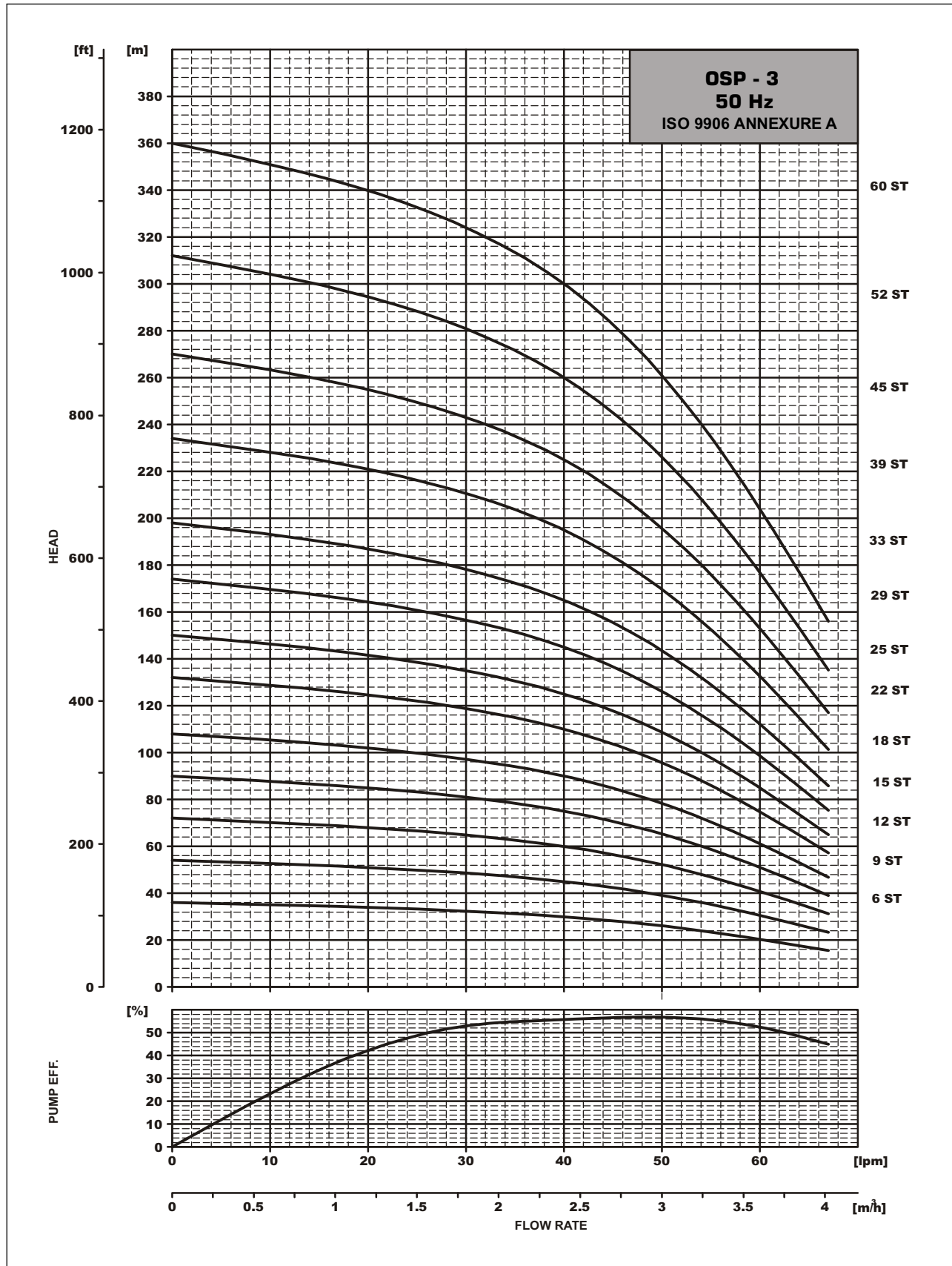
OSP-3

PUMP MODEL	STAGE	MOTOR		PUMP			MOTOR
		JOINING MOTOR	POWER (KW)	Length C	E*	Weight Kg	OD D
OSP-3 (E)+OSW	6	V-4	0.37	281	101	3.3	97
OSP-3 (E)+OSW	9	V-4	0.55	344	101	3.9	97
OSP-3 (E)+OSW	12	V-4	0.75	407	101	4.3	97
OSP-3 (E)+OSW	15	V-4	1.1	470	101	5.1	97
OSP-3 (E)+OSW	18	V-4	1.1	533	101	6.1	97
OSP-3 (E)+OSW	22	V-4	1.5	617	101	6.6	97
OSP-3 (E)+OSW	25	V-4	1.5	680	101	7.6	97
OSP-3 (E)+OSW	29	V-4	2.2	764	101	8.2	97
OSP-3 (E)+OSW	33	V-4	2.2	848	101	9.3	97
OSP-3 (E)+OSW	39	V-4	3	1019	101	15.2	97
OSP-3 (E)+OSW	45	V-4	3	1145	101	16.8	97
OSP-3 (E)+OSW	52	V-4	3.7	1292	101	19.8	97
OSP-3 (E)+OSW	60	V-4	4.5	1460	101	22.2	97

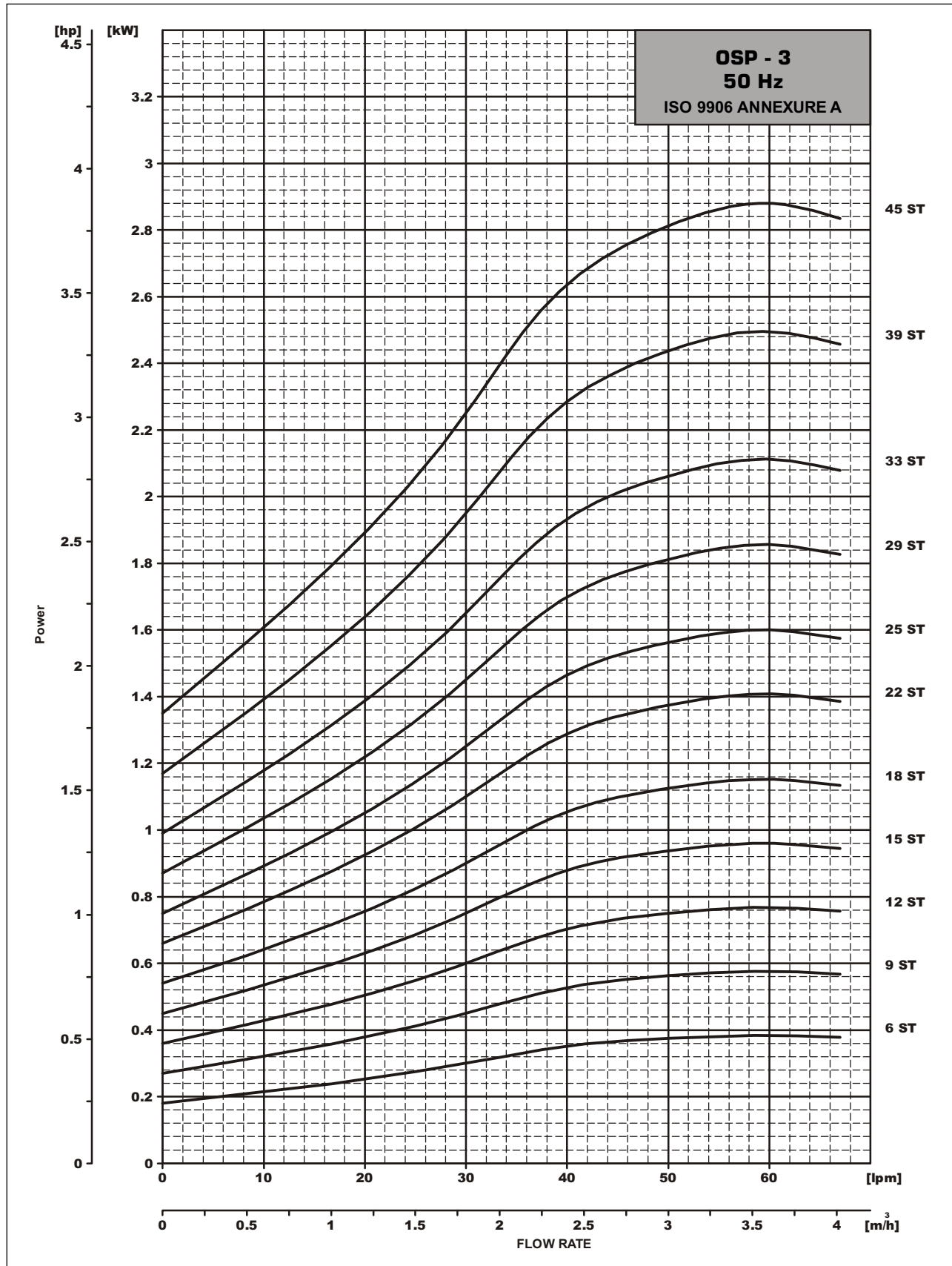


* MAX. DIA OF PUMP WITH ONE MOTOR CABLE

Performance Curves



Power Curves



Raidal Flow Pump

Performance Chart

OSP-5

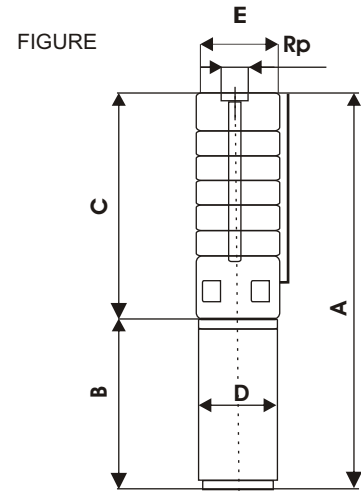
MODEL	K.W.	H.P.	Stage	Motor joining	Out let Size	Discharge						
						M ³ /H (LPM)	0	2.4	3.4	4	5	6
OSP - 5(E)	0.37	0.5	4	V-4	1½"	HEAD IN METERS	0	40	57	67	83	100
OSP - 5(E)	0.55	0.75	6	V-4	1½"		24	21	20	19	16	12
OSP - 5(E)	0.75	1	8	V-4	1½"		36	32	30	28	24	17
OSP - 5(E)	1.1	1.5	12	V-4	1½"		48	42	40	38	32	23
OSP - 5(E)	1.5	2	17	V-4	1½"		72	63	60	56	48	35
OSP - 5(E)	2.2	3	21	V-4	1½"		102	89	85	80	68	49
OSP - 5(E)	2.2	3	25	V-4	1½"		126	110	105	99	84	61
OSP - 5(E)	3	4	33	V-4	1½"		150	131	125	118	100	73
OSP - 5(E)	3.7	5	38	V-4	1½"		198	173	165	155	132	96
OSP - 5(E)	4.5	6	44	V-4	1½"		228	200	190	179	152	110
OSP - 5(E)	5.5	7.5	52	V-4	1½"		264	231	220	207	176	128
OSP - 5(E)	5.5	7.5	60	V-4	1½"		312	273	260	244	208	151
OSP - 5(E)	5.5	7.5	60	V-4	1½"	360	315	300	282	240	174	

Dimension & weights of Pump with Oil filled Motor

Technical Data

OSP-5

PUMP MODEL	STAGE	MOTOR		PUMP			MOTOR
		JOINING MOTOR	POWER (KW)	Length C	E*	Weight Kg	OD D
OSP-5 (E)+OSO	4	V-4	0.37	240	101	2.6	97
OSP-5 (E)+OSO	6	V-4	0.55	282	101	3.8	97
OSP-5 (E)+OSO	8	V-4	0.75	324	101	4.0	97
OSP-5 (E)+OSO	12	V-4	1.1	408	101	4.2	97
OSP-5 (E)+OSO	17	V-4	1.5	513	101	5.5	97
OSP-5 (E)+OSO	21	V-4	2.2	597	101	6.2	97
OSP-5 (E)+OSO	25	V-4	2.2	681	101	7.0	97
OSP-5 (E)+OSO	33	V-4	3	849	101	9.0	97
OSP-5 (E)+OSO	38	V-4	3.7	998	101	15.2	97
OSP-5 (E)+OSO	44	V-4	4.5	1124	101	17.2	97
OSP-5 (E)+OSO	52	V-4	5.5	1292	101	20.2	97
OSP-5 (E)+OSO	60	V-4	5.5	1460	101	22.0	97

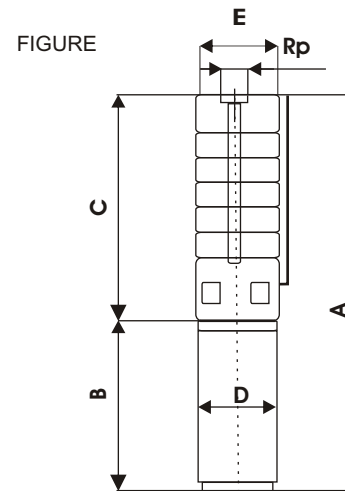


Dimension & weights of Pump with Water filled Motor

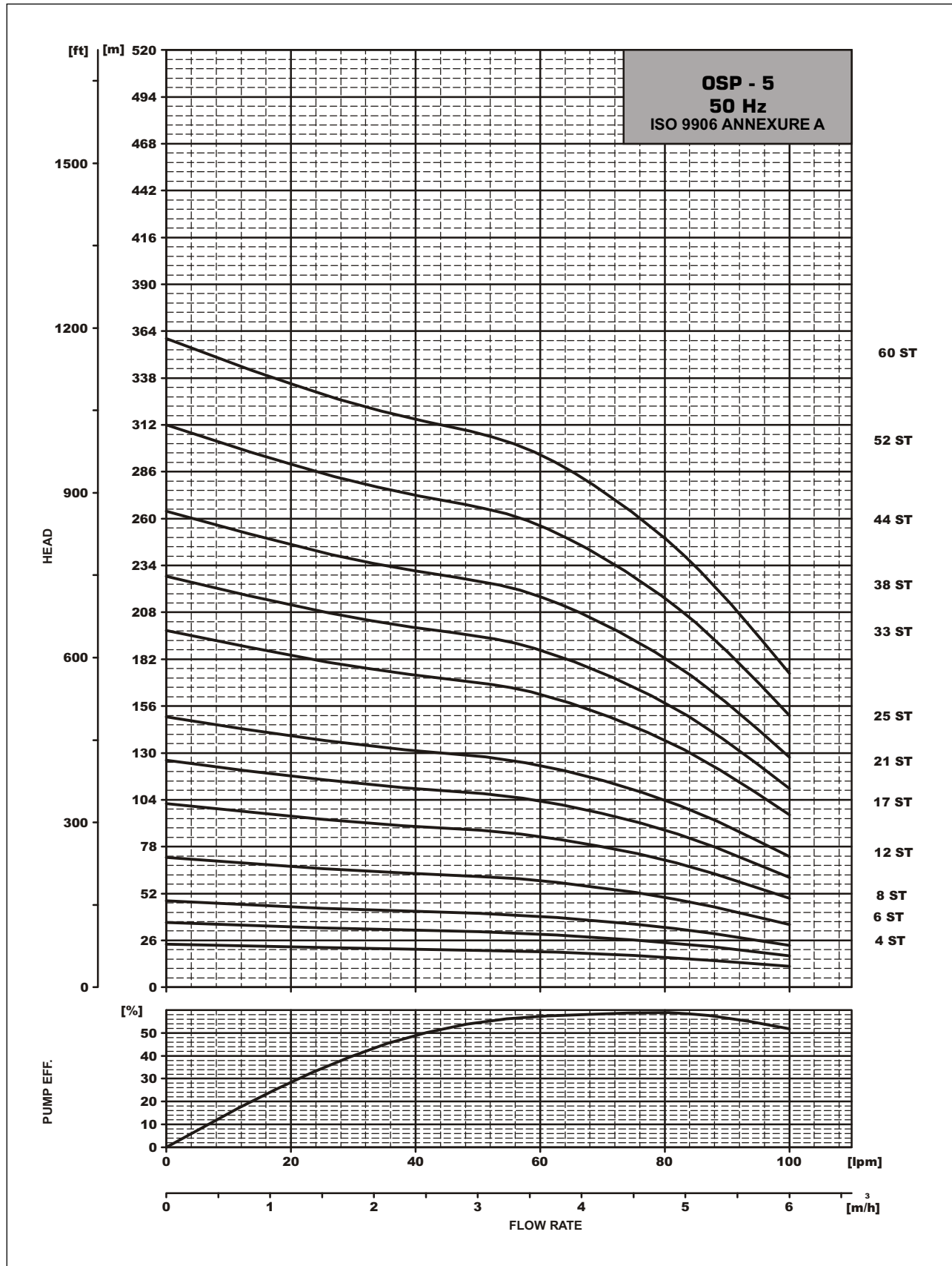
Technical Data

OSP-5

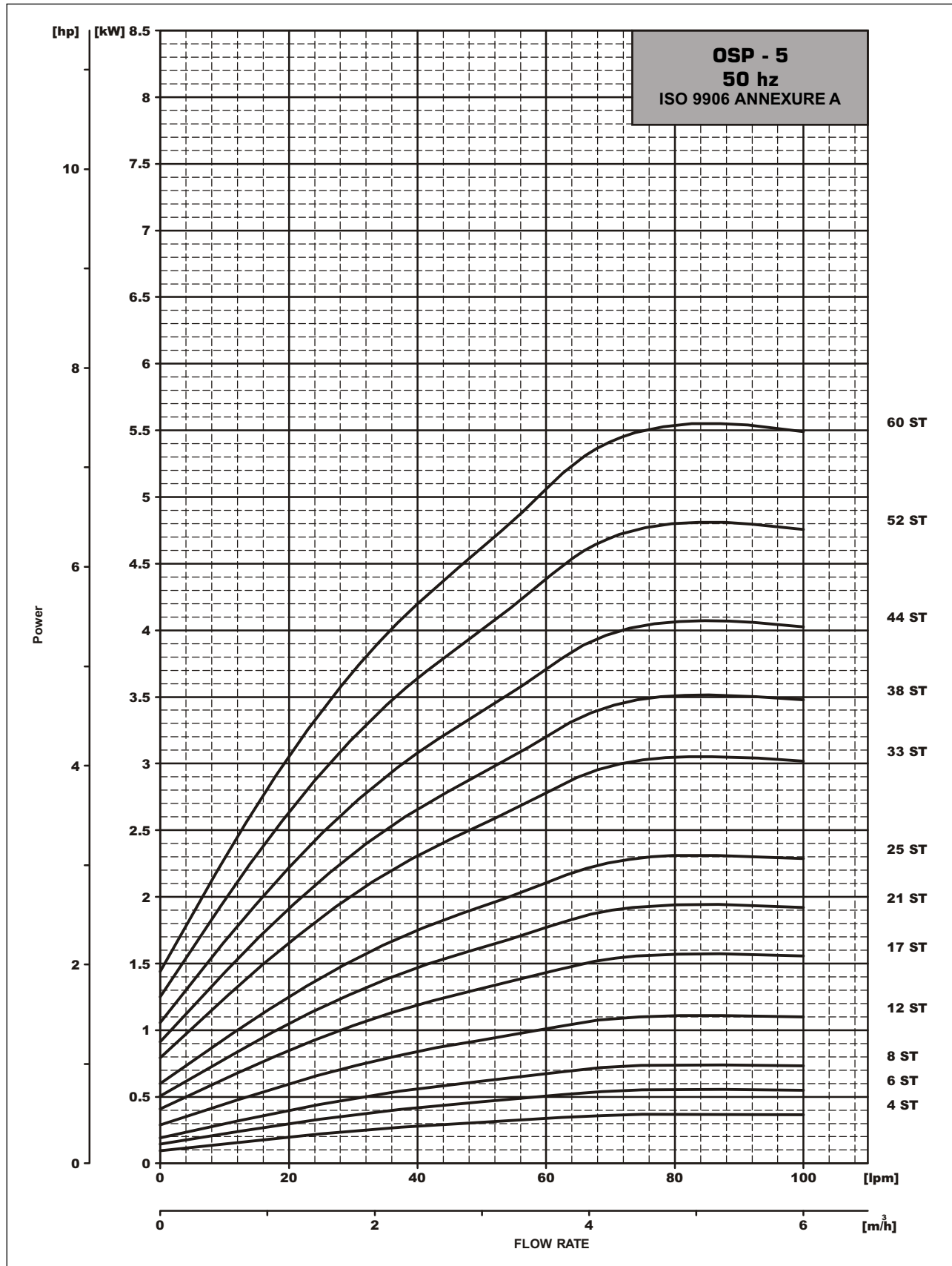
PUMP MODEL	STAGE	MOTOR		PUMP			MOTOR
		JOINING MOTOR	POWER (KW)	Length C	E*	Weight Kg	OD D
OSP-5 (E)+OSW	4	V-4	0.37	240	101	2.6	97
OSP-5 (E)+OSW	6	V-4	0.55	282	101	3.8	97
OSP-5 (E)+OSW	8	V-4	0.75	324	101	4.0	97
OSP-5 (E)+OSW	12	V-4	1.1	408	101	4.2	97
OSP-5 (E)+OSW	17	V-4	1.5	513	101	5.5	97
OSP-5 (E)+OSW	21	V-4	2.2	597	101	6.2	97
OSP-5 (E)+OSW	25	V-4	2.2	681	101	7.0	97
OSP-5 (E)+OSW	33	V-4	3	849	101	9.0	97
OSP-5 (E)+OSW	38	V-4	3.7	998	101	15.2	97
OSP-5 (E)+OSW	44	V-4	4.5	1124	101	17.2	97
OSP-5 (E)+OSW	52	V-4	5.5	1292	101	20.2	97
OSP-5 (E)+OSW	60	V-4	5.5	1460	101	22.0	97



Performance Curves



Power Curves



Mix Flow Pump

Performance Chart

OSP-8

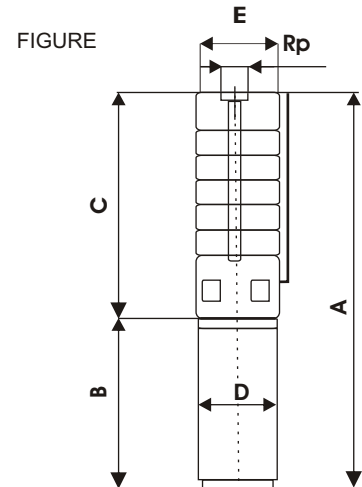
MODEL	K.W.	H.P.	Stage	Motor joining	Out let Size	Discharge						
						HEAD IN METERS	M ³ /H (LPM)	0	4	6	8	9
OSP - 8 (E)	0.75	1	5	V-4	2"		0	67	100	133	150	167
OSP - 8 (E)	1.1	1.5	7	V-4	2"		30	24	23	20	18	14
OSP - 8 (E)	1.5	2	10	V-4	2"		42	34	32	28	25	20
OSP - 8 (E)	2.2	3	12	V-4	2"		60	48	45	40	36	28
OSP - 8 (E)	2.2	3	15	V-4	2"		72	58	54	48	43	34
OSP - 8 (E)	3	4	18	V-4	2"		90	72	68	60	54	42
OSP - 8 (E)	3.7	5	21	V-4	2"		108	86	81	72	65	50
OSP - 8 (E)	4.5	6	25	V-4	2"		126	101	95	84	76	59
OSP - 8 (E)	5.5	7.5	30	V-4	2"		150	120	113	100	90	70
OSP - 8 (E)	5.5	7.5	37	V-4	2"		180	144	135	120	108	84
OSP - 8 (E)						222	178	167	148	133	104	

Dimension & weights of Pump with Oil filled Motor

Technical Data

OSP-5

PUMP MODEL	STAGE	MOTOR		PUMP			MOTOR
		JOINING MOTOR	POWER (KW)	Length C	E*	Weight Kg	OD D
OSP-8 (E)+OSO	5	V-4	0.75	409	101	6.2	97
OSP-8 (E)+OSO	7	V-4	1.10	493	101	6.6	97
OSP-8 (E)+OSO	10	V-4	1.5	619	101	8.2	97
OSP-8 (E)+OSO	12	V-4	2.2	703	101	9.2	97
OSP-8 (E)+OSO	15	V-4	2.2	829	101	11.5	97
OSP-8 (E)+OSO	18	V-4	3	955	101	12.5	97
OSP-8 (E)+OSO	21	V-4	3.7	1082	101	14.5	97
OSP-8 (E)+OSO	25	V-4	4.5	1249	101	16.5	97
OSP-8 (E)+OSO	30	V-4	5.5	1459	101	19.5	97
OSP-8 (E)+OSO	37	V-4	5.5	1753	101	23.5	97

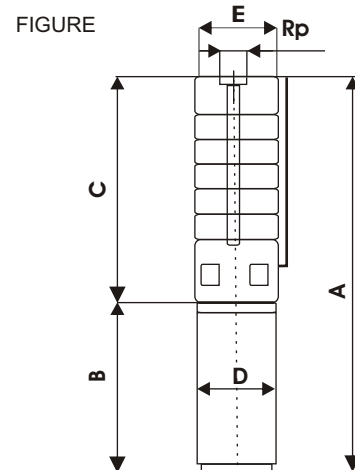


Dimension & weights of Pump with Water filled Motor

Technical Data

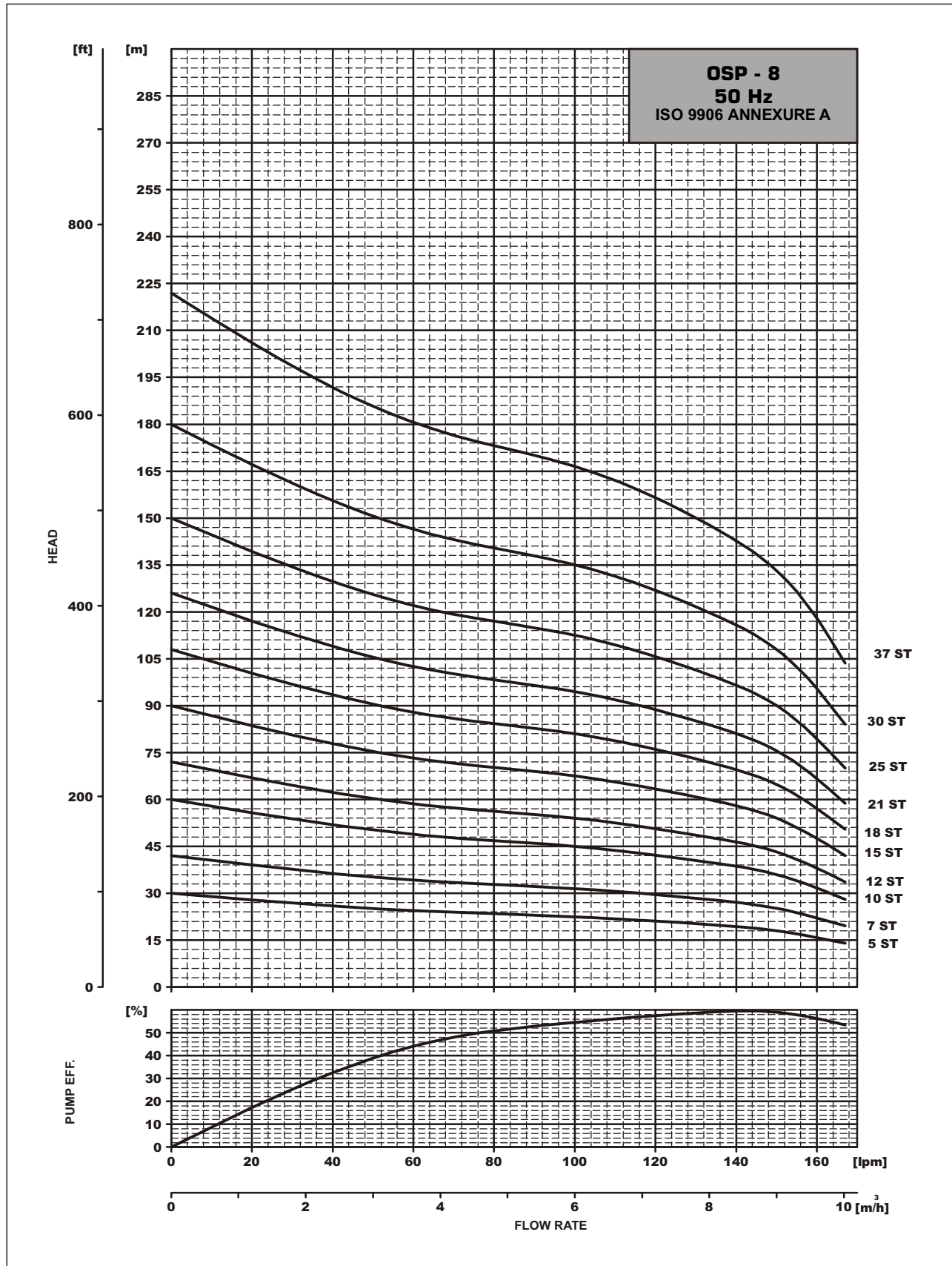
OSP-5

PUMP MODEL	STAGE	MOTOR		PUMP			MOTOR
		JOINING MOTOR	POWER (KW)	Length C	E*	Weight Kg	OD D
OSP-8 (E)+OSW	5	V-4	0.75	409	101	6.2	97
OSP-8 (E)+OSW	7	V-4	1.10	493	101	6.6	97
OSP-8 (E)+OSW	10	V-4	1.5	619	101	8.2	97
OSP-8 (E)+OSW	12	V-4	2.2	703	101	9.2	97
OSP-8 (E)+OSW	15	V-4	2.2	829	101	11.5	97
OSP-8 (E)+OSW	18	V-4	3	955	101	12.5	97
OSP-8 (E)+OSW	21	V-4	3.7	1082	101	14.5	97
OSP-8 (E)+OSW	25	V-4	4.5	1249	101	16.5	97
OSP-8 (E)+OSW	30	V-4	5.5	1459	101	19.5	97
OSP-8 (E)+OSW	37	V-4	5.5	1753	101	23.5	97

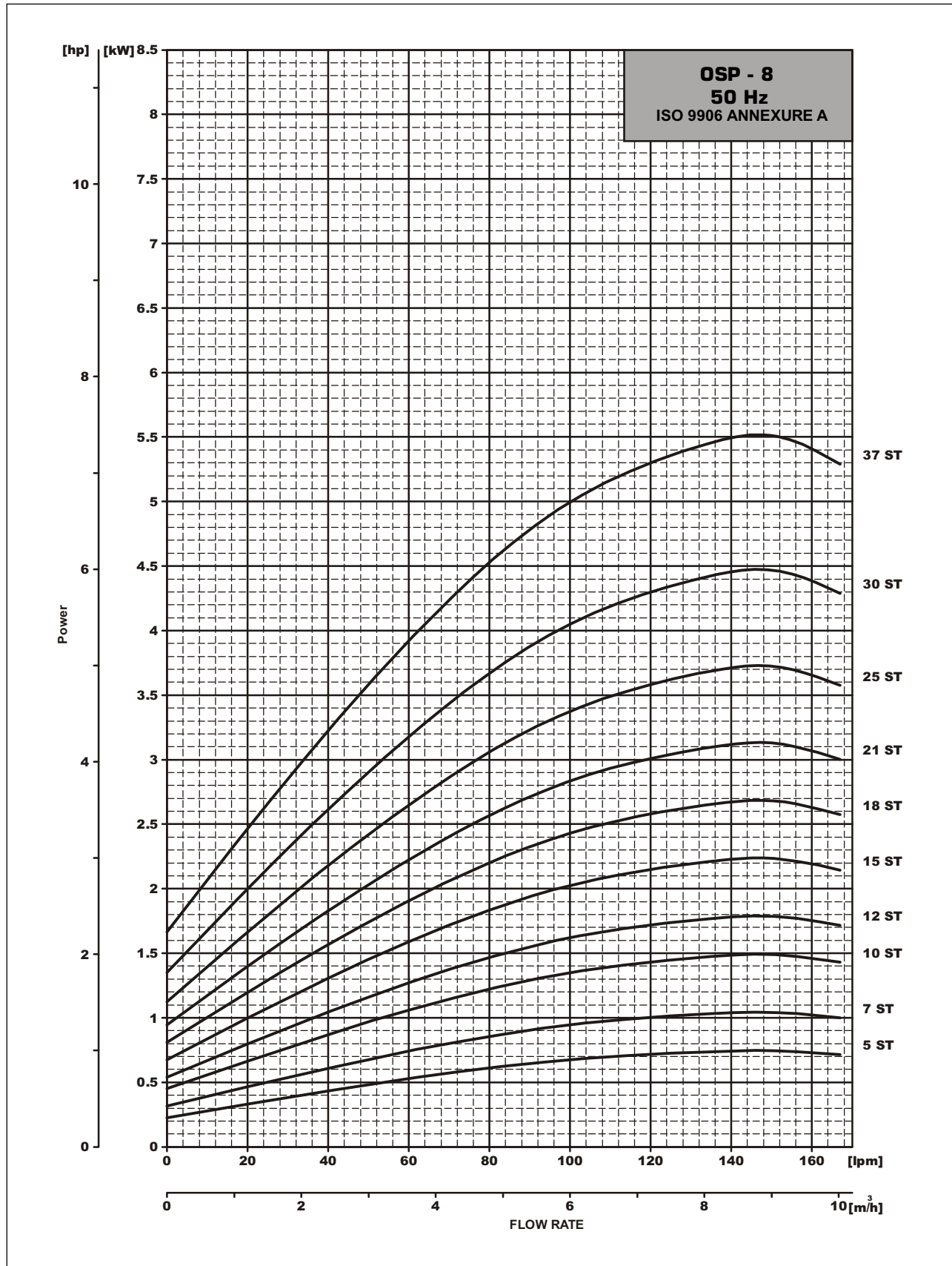


* MAX.DIA OF PUMP WITH ONE MOTOR CABLE

Performance Curves



Power Curves



Mix Flow Pump

Performance Chart

OSP-14

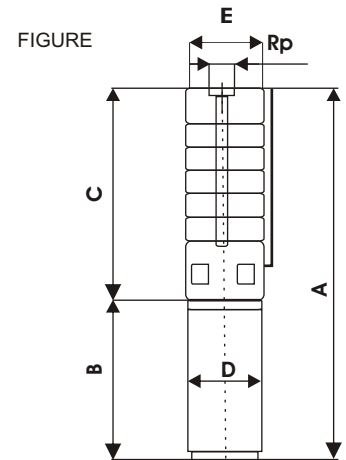
MODEL	K.W.	H.P.	Stage	Motor joining	Out let Size	Discharge						
						M ³ / H (LPM)	0	6	12	14	15	18
OSP - 14 (E)	1.5	2	5	V-4	2"	HEAD IN METERS	0	100	200	233	250	300
OSP - 14 (E)	2.2	3	7	V-4	2"		33	31	26	23	21	13
OSP - 14 (E)	3	4	10	V-4	2"		46	43	36	32	29	18
OSP - 14 (E)	4.5	6	13	V-4	2"		66	62	51	46	41	26
OSP - 14 (E)	5.5	7.5	18	V-4	2"		86	81	66	60	53	34
OSP - 14 (E)	5.5	7.5	18	V-4	2"		119	112	92	83	74	47

Dimension & weights of Pump with Oil filled Motor

Technical Data

OSP-14

PUMP MODEL	STAGE	MOTOR		PUMP			MOTOR
		JOINING MOTOR	POWER (KW)	Length	E*	Weight	OD
				C			
OSP-14 (E)+OSO	5	V-4	1.50	510	101	7.2	7.2
OSP-14 (E)+OSO	7	V-4	2.20	640	101	8.3	7.2
OSP-14 (E)+OSO	10	V-4	3	835	101	10.2	7.2
OSP-14 (E)+OSO	13	V-4	4.5	1030	101	12.4	7.2
OSP-14 (E)+OSO	18	V-4	5.5	1355	101	15.2	7.2



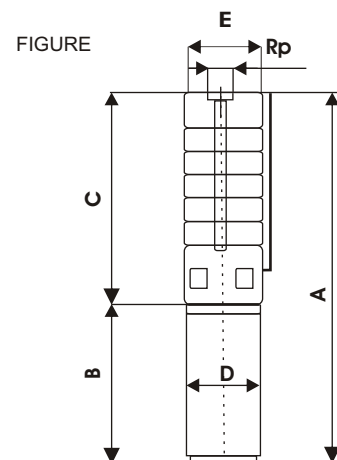
Dimension & weights of Pump with Water filled Motor

Technical Data

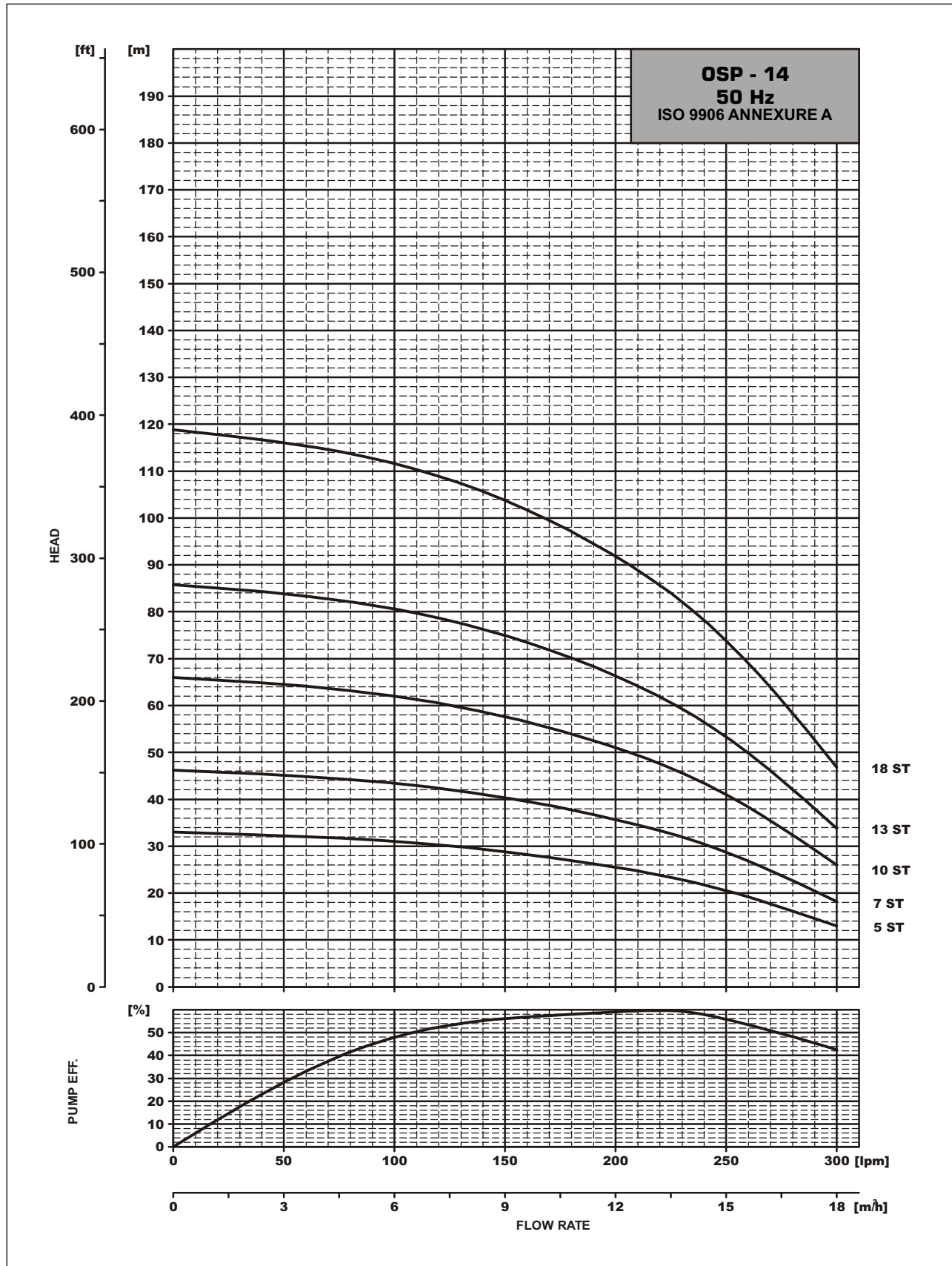
OSP-14

PUMP MODEL	STAGE	MOTOR		PUMP			MOTOR
		JOINING MOTOR	POWER (KW)	Length	E*	Weight	OD
				C			
OSP-14 (E)+OSW	5	V-4	1.50	510	101	7.2	97
OSP-14 (E)+OSW	7	V-4	2.20	640	101	8.3	97
OSP-14 (E)+OSW	10	V-4	3	835	101	10.2	97
OSP-14 (E)+OSW	13	V-4	4.5	1030	101	12.4	97
OSP-14 (E)+OSW	18	V-4	5.5	1355	101	15.2	97

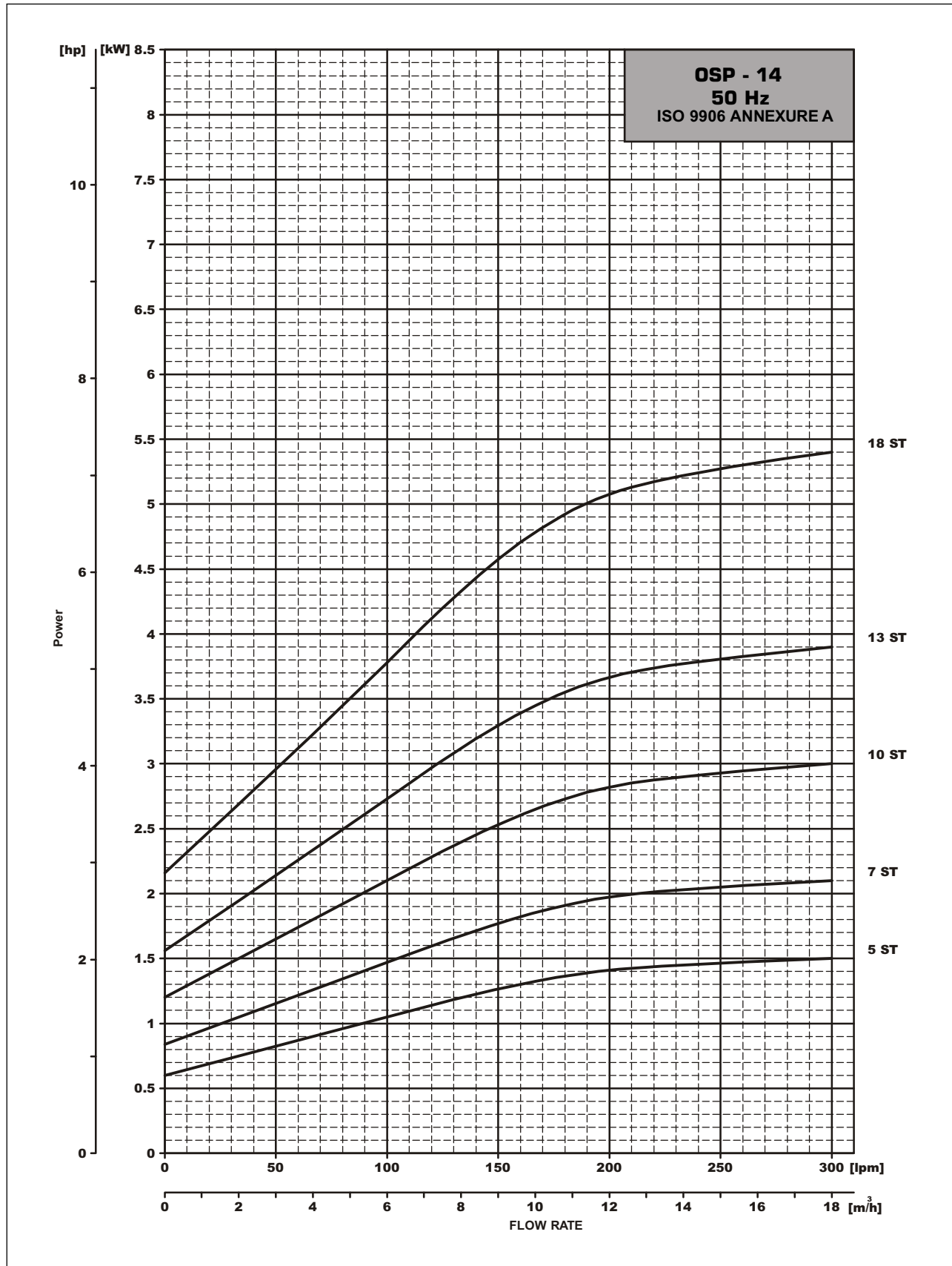
* MAX. DIA OF PUMP WITH ONE MOTOR CABLE



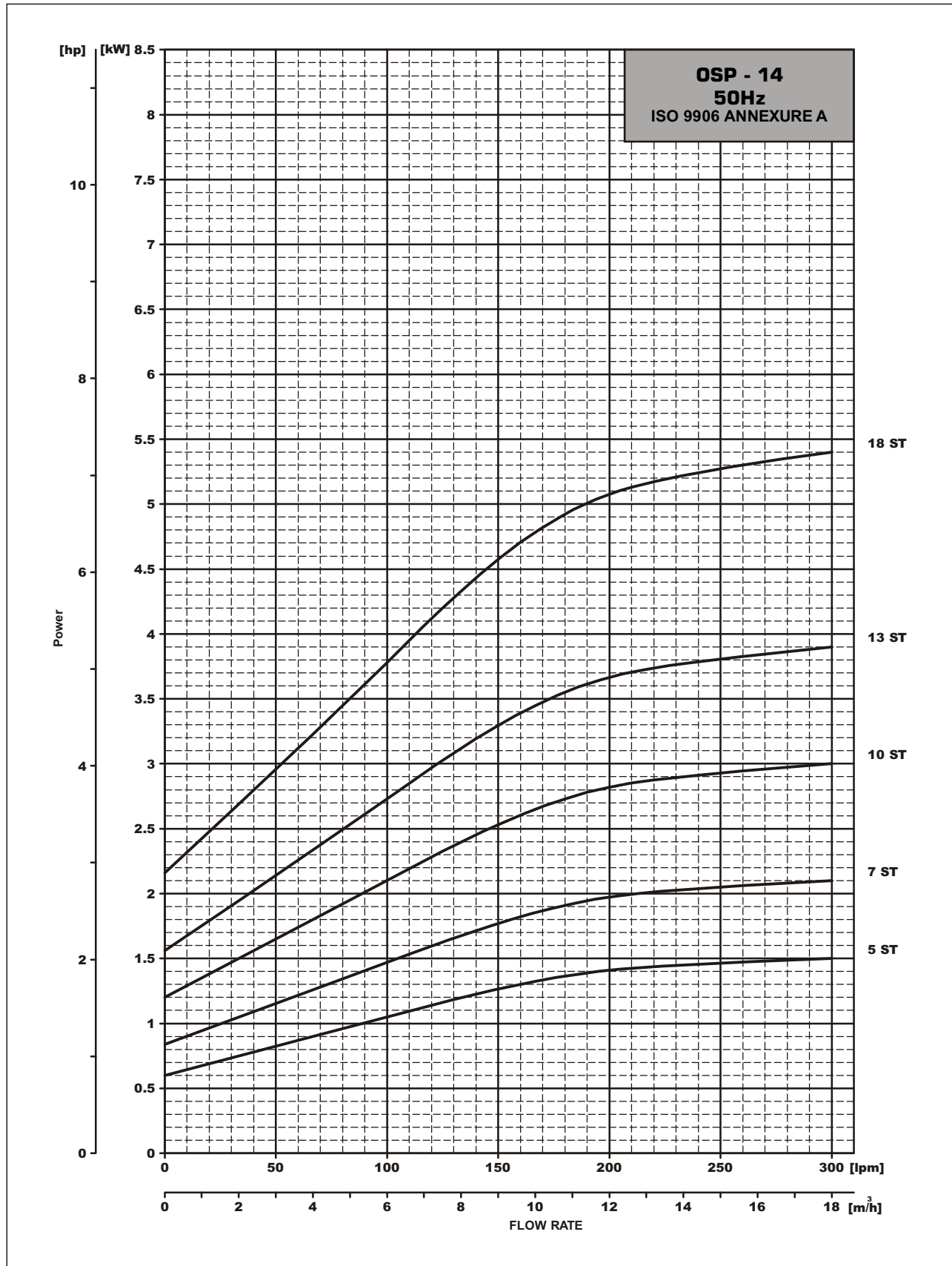
Performance Curves



Power Curves



Power Curves



6" Submersible Pump General Data

Construction

- Submersible motor and pumps for deep wells of 6" (150 mm)
- All sizes of pumps according to the NEMA standard
- OSP series pumps are completely made out of AISI 304 stainless steel material .
- Mixed flow Model : OSP-9 , OSP-12,OSP-17,OSP-30,OSP-46,OSP-60

Application

- For water supply
- For irrigation
- For civil and industrial applications.
- For fire fighting application

General Data

- Head range up to 600 meters
- Flow range up to 72 M³

Operating condition

- Maximum liquid temperature : 45°C
- Maximum quantity of sand 50 gm / m³
- Minimum suction head required : 1.5 meter.
- Max. start per hour 30 at regular intervals.
- Direction of rotation : clockwise as seen from the pump coupling side.

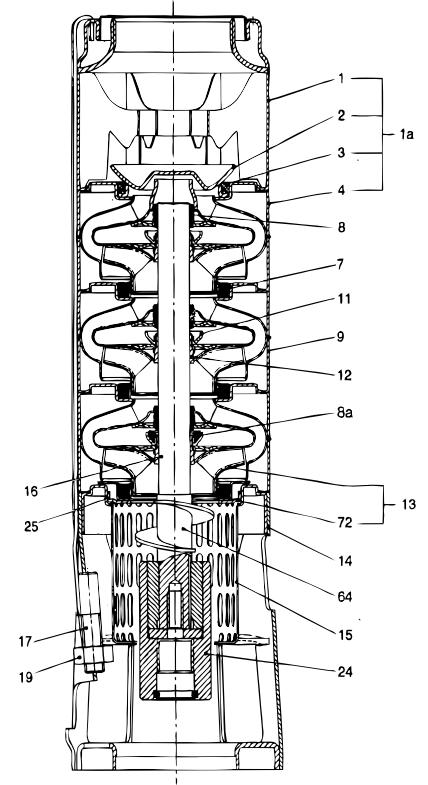
Special construction on request

Also available in NPT connection

Material of Construction

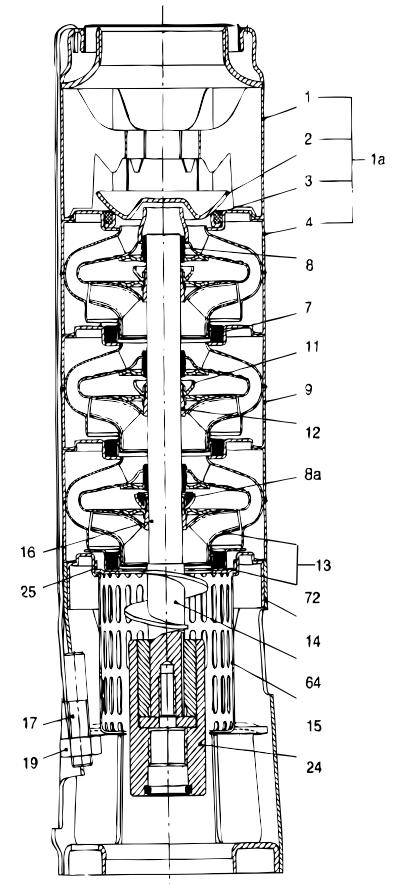
MATERIAL SPECIFICATION OSP 9

S.No.	Components	Material	Standard
1	Valve casing	Stainless steel	304
1a	Discharge chamber complete	Stainless steel	304
2	Valve cup	Stainless steel	304
3	Valve seat	Stainless steel	
4	Top intermediate chamber	Stainless steel	304
6	Top bearing	NBR	
7	Neck ring	NBR/PPS	
8	Intermediate bearing	NBR	
9	Spacing washer	Cabron /graphite Hy 22 in PTFE mass	
8a	Intermediate chamber	Stainless steel	304
11	Split cone nut	Stainless steel	304
12	Split cone	Stainless steel	304
13	Impeller	Stainless steel	304
14	Suction interconnector	Stainless steel	304
15	Strainer	Stainless steel	304
16	Pump shaft	Stainless steel	431
17	Strap	Stainless steel	304
18	Cable guard	Stainless steel	304
19	Nut	Stainless steel	304
19a	Nut	Stainless steel	304
23	Rubber guard	Rubber	
25	Neck ring retainer	Stainless steel	304
SQ	Priming screw	Stainless steel	304
72	Wear ring	Stainless steel	304
75	Spacer ring	Stainless steel	304
78	Nameplate	Stainless steel	304



MATERIAL SPECIFICATION OSP 12

S.No.	Components	Material	Standard
1	Valve casing	Stainless steel	304
1a	Discharge chamber complete	Stainless steel	304
2	Valve cup	Stainless steel	304
3	Valve seat	Stainless steel	304
4	Top intermediate chamber	Stainless steel	304
6	Top bearing	NBR	
7	Neck ring	NBR/PPS	
8	Intermediate bearing	NBR	
8a	Spacing washer	Cabron /graphite Hy 22 in PTFE mass	
9	Intermediate chamber	Stainless steel	304
11	Split cone nut	Stainless steel	304
12	Split cone	Stainless steel	304
13	Impeller	Stainless steel	304
14	Suction interconnector	Stainless steel	304
15	Strainer	Stainless steel	304
16	Pump shaft	Stainless steel	431
17	Strap	Stainless steel	304
18	Cable guard	Stainless steel	304
19	Nut	Stainless steel	304
19a	Nut	Stainless steel	304
23	Rubber guard	Rubber	
25	Neck ring retainer	Stainless steel	304
SQ	Priming screw	Stainless steel	304
72	Wear ring	Stainless steel	304
75	Spacer ring	Stainless steel	304
78	Nameplate	Stainless steel	304

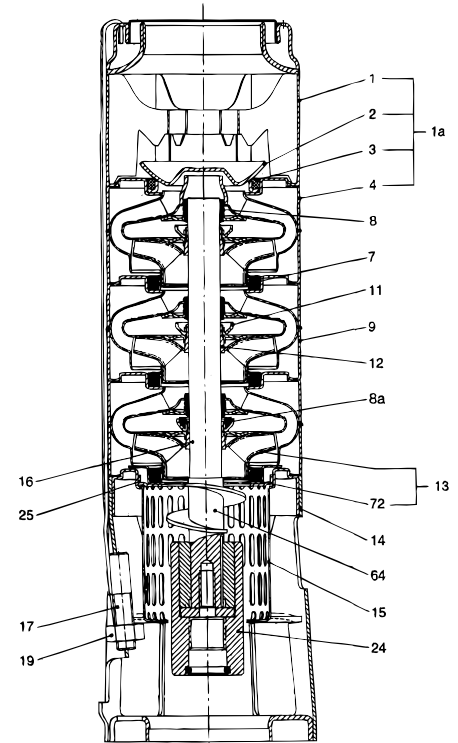


Material of Construction

MATERIAL SPECIFICATION OSP -17

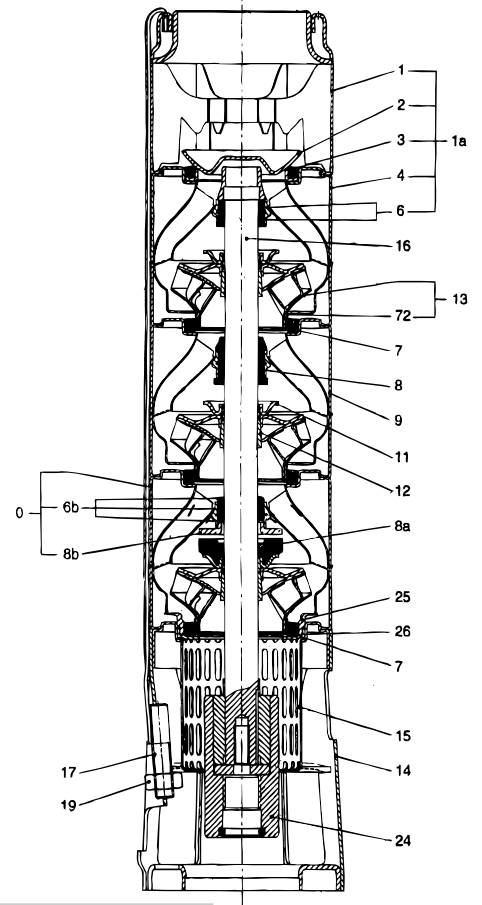
S.No.	Components	Material	Standard
1	Valve casing	Stainless steel	304
1a	Discharge chamber complete	Stainless steel	304
2	Valve cup	Stainless steel	304
3	Valve seat	Stainless steel + NBR	
4	Top intermediate chamber	Stainless steel	304
6	Top bearing	NBR	
7	Neck ring	NBR/Stainless steel	
8	Intermediate bearing	NBR	
8a	Spacing washer	Cabron /graphite Hy 22 in PTFE mass	
9	Intermediate chamber	Stainless steel	304
11	Split cone nut	Stainless steel	304
12	Split cone	Stainless steel	304
13	Impeller	Stainless steel	304
14	Suction interconnector	Stainless steel	304
15	Strainer	Stainless steel	304
16	Pump shaft	Stainless steel	431
17	Strap	Stainless steel	304
18	Cable guard	Stainless steel	304
19	Nut	Stainless steel	304
19a	Nut	Stainless steel	304
23	Rubber guard	Rubber	
25	Neck ring retainer	Stainless steel	304
SQ	Priming screw	Stainless steel	304
72	Wear ring	Stainless steel	304
75	Spacer ring	Stainless steel	304
78	Nameplate	Stainless steel	304

Sectional View



MATERIAL SPECIFICATION OSP - 30

S.No.	Components	Material	Standard
1	Valve casing	Stainless steel	304
1a	Discharge chamber complete	Stainless steel	304
2	Valve cup	Stainless steel	304
3	Valve seat	Stainless steel +NBR	
4	Top intermediate chamber	Stainless steel	304
6	Upper bearing	NBR	
	Cap	Stainless steel	304
6b	Lower bearing	NBR	
	Cap	Stainless steel	304
7	Neck ring	NBR+Stainless steel	
8	Intermediate bearing.	NBR	
8a	Spacing washer for stop ring	Carbon/graphite Hy 22 in PTFE mass	
8b	Stop ring	Stainless steel	304
9	Intermediate chamber	Stainless steel	304
10	Bottom intermediate chamber	Stainless steel	304
11	Split cone nut	Stainless steel	304
12	Split cone	Stainless steel	304
13	Impeller	Stainless steel	304
14	Suction interconnector	Stainless steel	304
15	Strainer	Stainless steel	304
16	Pump shaft	Stainless steel	431
17	Strap	Stainless steel	304
18	Cable guard	Stainless steel	304
19	Nut	Stainless steel	304
19a	Nut	Stainless steel	304
23	Rubber guard	Rubber	
25	Neck ring retainer	Stainless steel	304
72	Wear ring	Stainless steel	304
78	Nameplate	Stainless steel	304

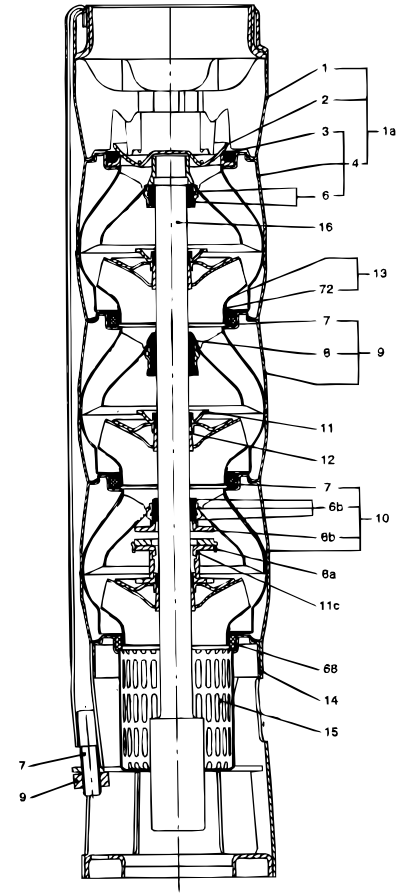


Material of Construction

MATERIAL SPECIFICATION - OSP -46/60

S.No.	Components	Material	Standard
1	Valve casing	Stainless steel	304
1a	Discharge chamber complete	Stainless steel	304
2	Valve cup	Stainless steel	304
3	Valve seat	Stainless steel +NBR	
4	Top chamber	Stainless steel	304
6	Upper bearing	NBR	
	Cap	Stainless steel	304
6b	Lower bearing	NBR	
	Cap	Stainless steel	304
7	Neck ring	NBR+Stainless steel	
8	Bearing.	NBR	
8a	Washer for stop ring	Cabron/graphite hy 22 in ptfе mass	
8b	Stop ring	Stainless steel	304
9	Inter meditate Chamber	Stainless steel	304
10	Bottom chamber complete	Stainless steel	304
11	Split cone nut	Stainless steel	304
11c	Nut for stop ring	Stainless steel	304
12	Split cone	Stainless steel	304
13	Impeller	Stainless steel	304
14	Suction interconnector	Stainless steel	304
15	Strainer	Stainless steel	431
16	Pump shaft	Stainless steel	304
17	Strap	Stainless steel	304
18	Cable guard	Stainless steel	304
18a	Cheese-screw for cable guard	Stainless steel	304
19	Nut	Stainless steel	304
19a	Nut	Stainless steel	304
23	Rubber guard	Rubber	
68	Bottom neck ring	NBR/Stainless steel	304
72	Wear ring	Stainless steel	304
78	Nameplate	Stainless steel	304

Sectional View



Performance Table

Submersible Pump OSP-9

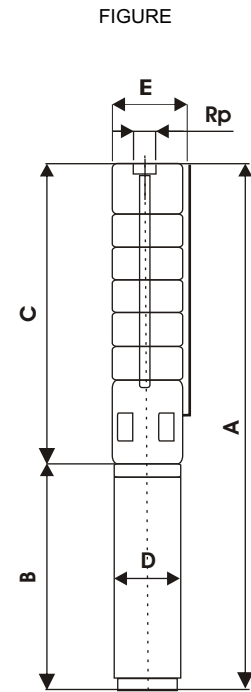
MODEL OSP - 9	K.W.	H.P.	Stage	Motor joining	Out let Size	Discharge Q					
						M ³ /H LPM	0	6	9	12	15
OSP - 9(E) (4 X 6)	0.55	0.75	1	V-4	2"BSP	10.5	9.8	8.8	7.5	6.2	
OSP - 9(E) (4 X 6)	1.1	1.5	2	V-4	2"BSP	21	20	18	15	12	
OSP - 9(E) (4 X 6)	1.5	2	3	V-4	2"BSP	32	29	26	23	19	
OSP - 9(E) (4 X 6)	2.2	3	4	V-4	2"BSP	42	39	35	30	25	
OSP - 9(E) (4 X 6)	2.2	3	5	V-4	2"BSP	53	49	44	38	31	
OSP - 9(E) (4 X 6)	3	4	6	V-4	2"BSP	63	59	53	45	37	
OSP - 9(E) (4 X 6)	3	4	7	V-4	2"BSP	74	69	62	53	43	
OSP - 9(E) (4 X 6)	3.7	5	8	V-4	2"BSP	84	78	70	60	50	
OSP - 9(E) (4 X 6)	3.7	5	9	V-4	2"BSP	95	88	79	68	56	
OSP - 9(E) (4 X 6)	4.5	6	10	V-4	2"BSP	105	98	88	75	62	
OSP - 9 (E)	5.5	7.5	11	V-6	2"BSP	116	108	97	83	68	
OSP - 9 (E)	5.5	7.5	12	V-6	2"BSP	126	118	106	90	74	
OSP - 9 (E)	5.5	7.5	13	V-6	2"BSP	137	127	114	98	81	
OSP - 9 (E)	7.5	10	14	V-6	2"BSP	147	137	123	105	87	
OSP - 9 (E)	7.5	10	15	V-6	2"BSP	158	147	132	113	93	
OSP - 9 (E)	7.5	10	16	V-6	2"BSP	168	157	141	120	99	
OSP - 9 (E)	7.5	10	17	V-6	2"BSP	179	167	150	128	105	
OSP - 9 (E)	7.5	10	18	V-6	2"BSP	189	176	158	135	112	
OSP - 9 (E)	9.3	12.5	19	V-6	2"BSP	200	186	167	143	118	
OSP - 9 (E)	9.3	12.5	20	V-6	2"BSP	210	196	176	150	124	
OSP - 9 (E)	11	15	21	V-6	2"BSP	221	206	185	158	130	
OSP - 9 (E)	11	15	22	V-6	2"BSP	231	216	194	165	136	
OSP - 9 (E)	11	15	23	V-6	2"BSP	242	225	202	173	143	
OSP - 9 (E)	11	15	24	V-6	2"BSP	252	235	211	180	149	
OSP - 9 (E)	11	15	25	V-6	2"BSP	263	245	220	188	155	
OSP - 9 (E)	13	17.5	26	V-6	2"BSP	273	255	229	195	161	
OSP - 9 (E)	13	17.5	27	V-6	2"BSP	284	265	238	203	167	
OSP - 9 (E)	13	17.5	28	V-6	2"BSP	294	274	246	210	174	
OSP - 9 (E)	13	17.5	29	V-6	2"BSP	305	284	255	218	180	
OSP - 9 (E)	13	17.5	30	V-6	2"BSP	315	294	264	225	186	
OSP - 9 (E)	13	17.5	31	V-6	2"BSP	326	304	273	233	192	
OSP - 9 (E)	15	20	32	V-6	2"BSP	336	314	282	240	198	
OSP - 9 (E)	15	20	33	V-6	2"BSP	347	323	290	248	205	
OSP - 9 (E)	15	20	34	V-6	2"BSP	357	333	299	255	211	
OSP - 9 (E)	15	20	35	V-6	2"BSP	368	343	308	263	217	
OSP - 9 (E)	15	20	36	V-6	2"BSP	378	353	317	270	223	
OSP - 9 (E)	18.5	25	37	V-6	2"BSP	389	363	326	278	229	
OSP - 9 (E)	18.5	25	38	V-6	2"BSP	399	372	334	285	236	
OSP - 9 (E)	18.5	25	39	V-6	2"BSP	410	382	343	293	242	
OSP - 9 (E)	18.5	25	40	V-6	2"BSP	420	392	352	300	248	
OSP - 9 (E)	18.5	25	41	V-6	2"BSP	431	402	361	308	254	
OSP - 9 (E)	18.5	25	42	V-6	2"BSP	441	412	370	315	260	
OSP - 9 (E)	18.5	25	43	V-6	2"BSP	452	421	378	323	267	
OSP - 9 (E)	18.5	25	44	V-6	2"BSP	462	431	387	330	273	

HEAD (METERS)

Technical Data

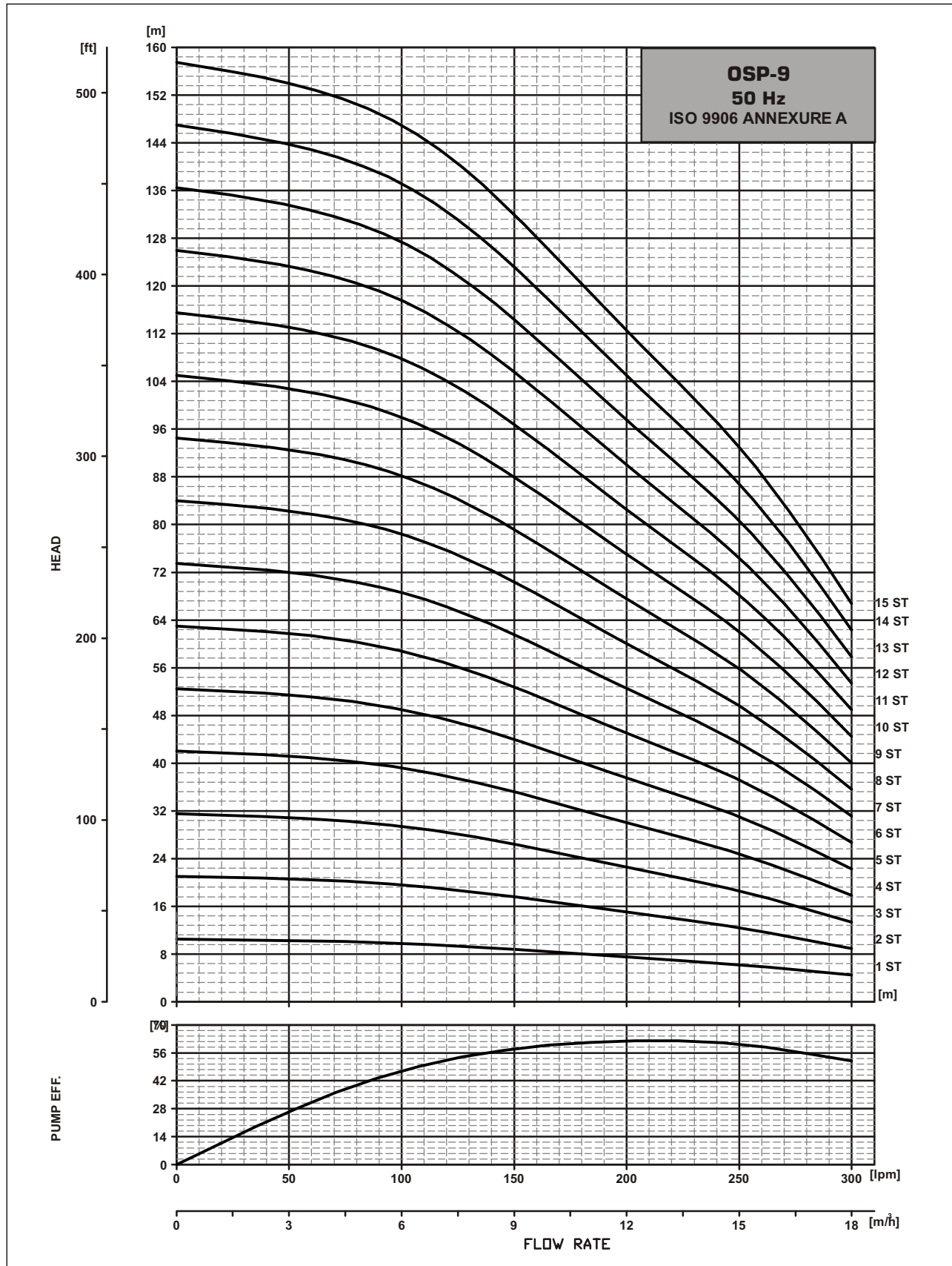
Submersible Pump OSP-9

PUMP MODEL	STAGE	MOTOR		PUMP				MOTOR
		JOINING MOTOR	POWER (KW)	Length			Weight Kg	OD D
				C	E*	E**		
OSP-9	1	V-4	0.55	335	131		5.3	97
OSP-9	2	V-4	0.75	395	131		6.6	97
OSP-9	3	V-4	1.5	455	131		7.8	97
OSP-9	4	V-4	2.2	515	131		9.1	97
OSP-9	5	V-4	2.2	575	131		10.3	97
OSP-9	6	V-4	3.0	635	131		11.6	97
OSP-9	7	V-4	3.0	695	131		12.8	97
OSP-9	8	V-4	3.7	755	131		14.1	97
OSP-9	9	V-4	3.7	815	131		15.3	97
OSP-9	10	V-4	4.5	875	131		16.6	97
OSP-9	8	V-6	3.7	755	143	145	14.2	144
OSP-9	9	V-6	3.7	815	143	145	15.5	144
OSP-9	10	V-6	4.5	875	143	145	16.7	144
OSP-9	11	V-6	5.5	935	143	145	18.0	144
OSP-9	12	V-6	5.5	995	143	145	19.2	144
OSP-9	13	V-6	5.5	1055	143	145	20.5	144
OSP-9	14	V-6	7.5	1115	143	145	21.8	144
OSP-9	15	V-6	7.5	1175	143	145	23.0	144
OSP-9	16	V-6	7.5	1235	143	145	24.3	144
OSP-9	17	V-6	7.5	1295	143	145	25.5	144
OSP-9	18	V-6	7.5	1355	143	145	26.8	144
OSP-9	19	V-6	9.3	1415	143	145	28.1	144
OSP-9	20	V-6	9.3	1475	143	145	29.3	144
OSP-9	21	V-6	9.3	1535	143	145	30.6	144
OSP-9	22	V-6	9.3	1595	143	145	31.8	144
OSP-9	23	V-6	11.0	1655	143	145	33.1	144
OSP-9	24	V-6	11.0	1715	143	145	34.4	144
OSP-9	25	V-6	11.0	1775	143	145	35.6	144
OSP-9	26	V-6	11.0	1835	143	145	36.9	144
OSP-9	27	V-6	13.0	1895	143	145	38.1	144
OSP-9	28	V-6	13.0	1955	143	145	39.4	144
OSP-9	29	V-6	13.0	2015	143	145	40.7	144
OSP-9	30	V-6	13.0	2075	143	145	41.9	144
OSP-9	31	V-6	13.0	2135	143	145	43.2	144
OSP-9	32	V-6	15.0	2195	143	145	44.4	144
OSP-9	33	V-6	15.0	2255	143	145	45.7	144
OSP-9	34	V-6	15.0	2315	143	145	47.0	144
OSP-9	35	V-6	15.0	2375	143	145	48.2	144
OSP-9	36	V-6	15.0	2435	143	145	49.5	144
OSP-9	37	V-6	18.5	2495	143	145	50.7	144
OSP-9	38	V-6	18.5	2555	143	145	52.0	144
OSP-9	39	V-6	18.5	2615	143	145	53.3	144
OSP-9	40	V-6	18.5	2675	143	145	54.5	144
OSP-9	41	V-6	18.5	2735	143	145	55.8	144
OSP-9	42	V-6	18.5	2795	143	145	57.0	144
OSP-9	43	V-6	18.5	2855	143	145	58.3	144
OSP-9	44	V-6	18.5	2915	143	145	59.6	144

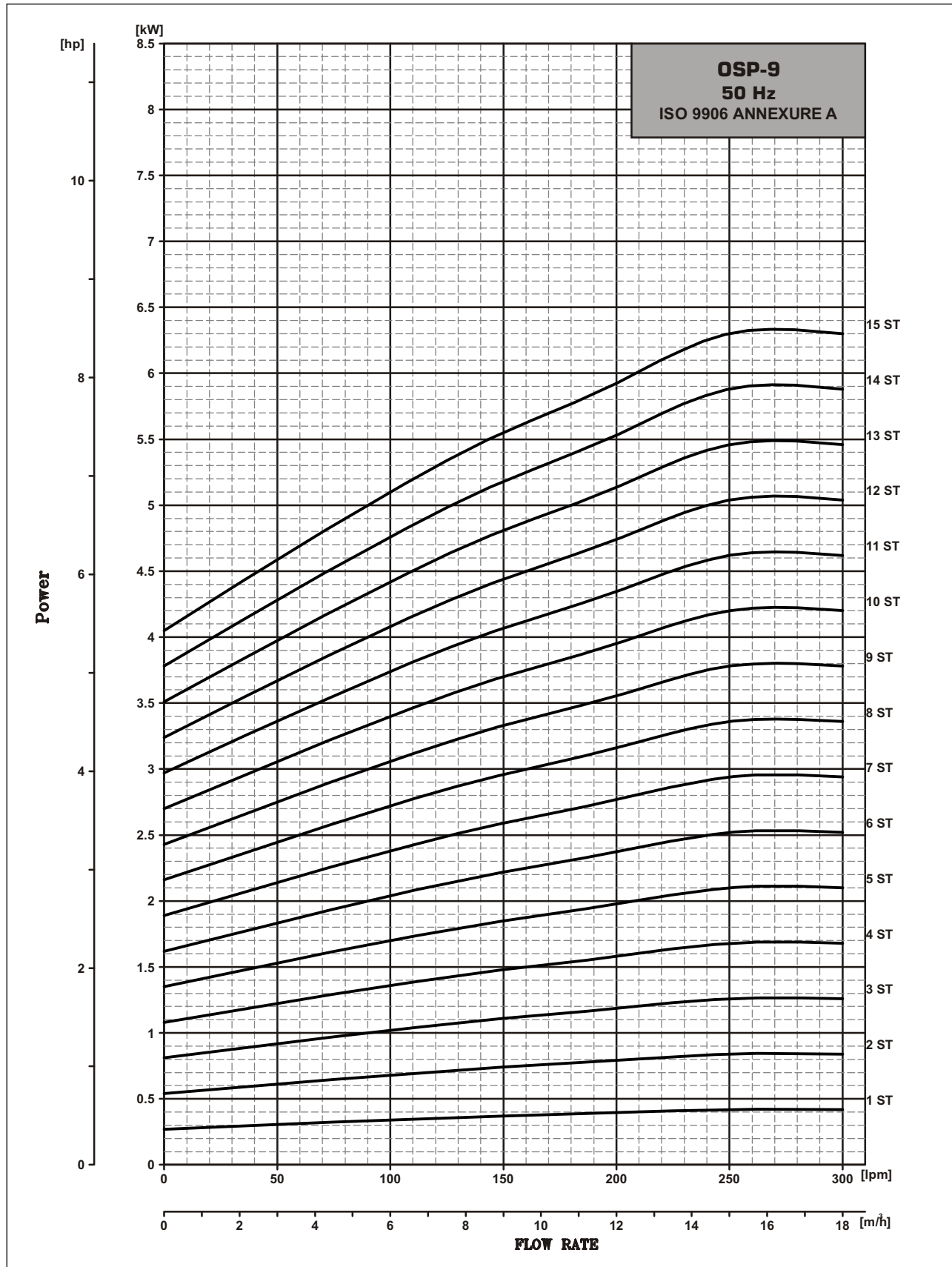


* MAX.DIA OF PUMP WITH ONE MOTOR CABLE
 ** MAX.DIA OF PUMP WITH TWO MOTOR CABLE

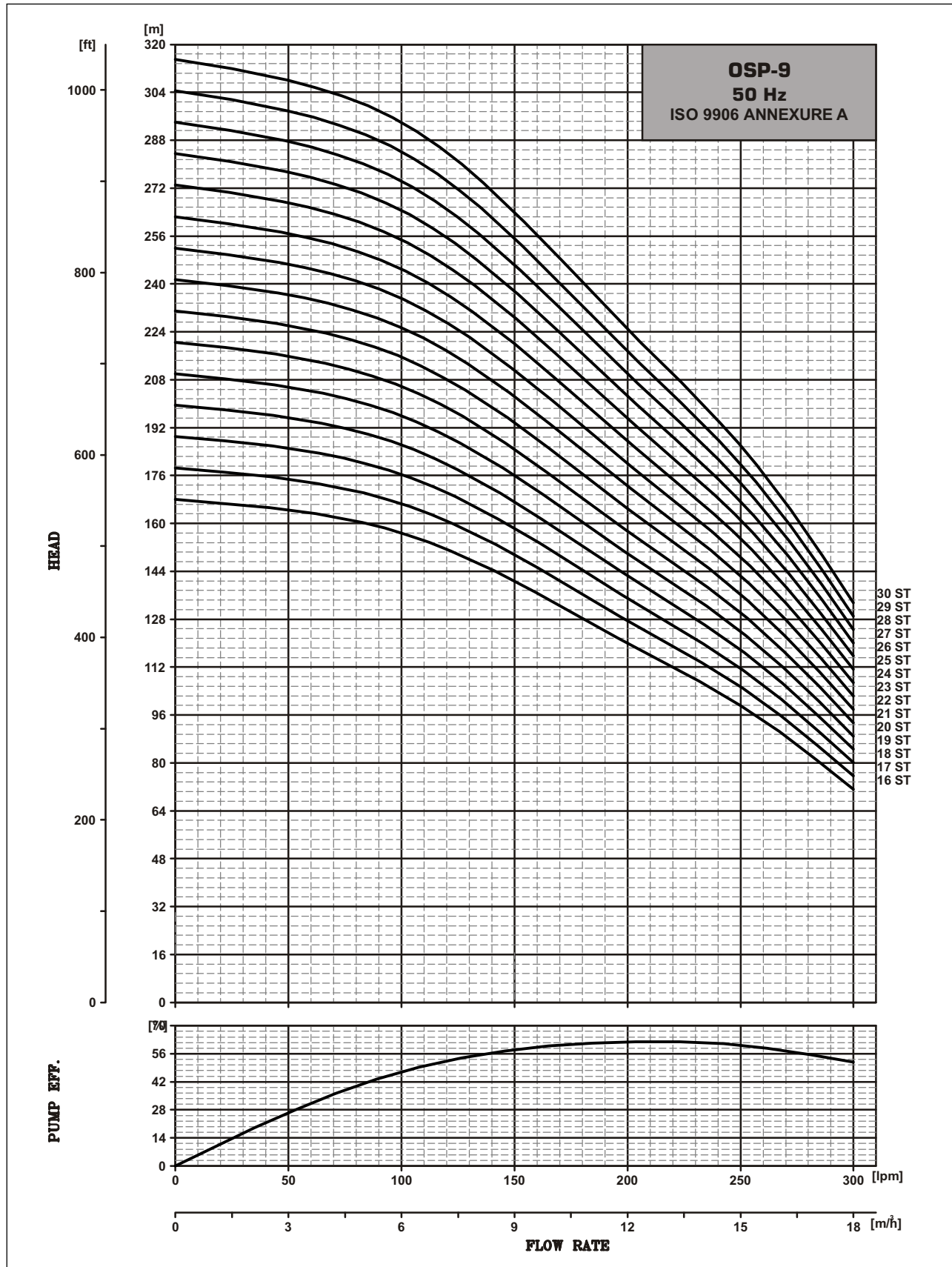
Performance Curve



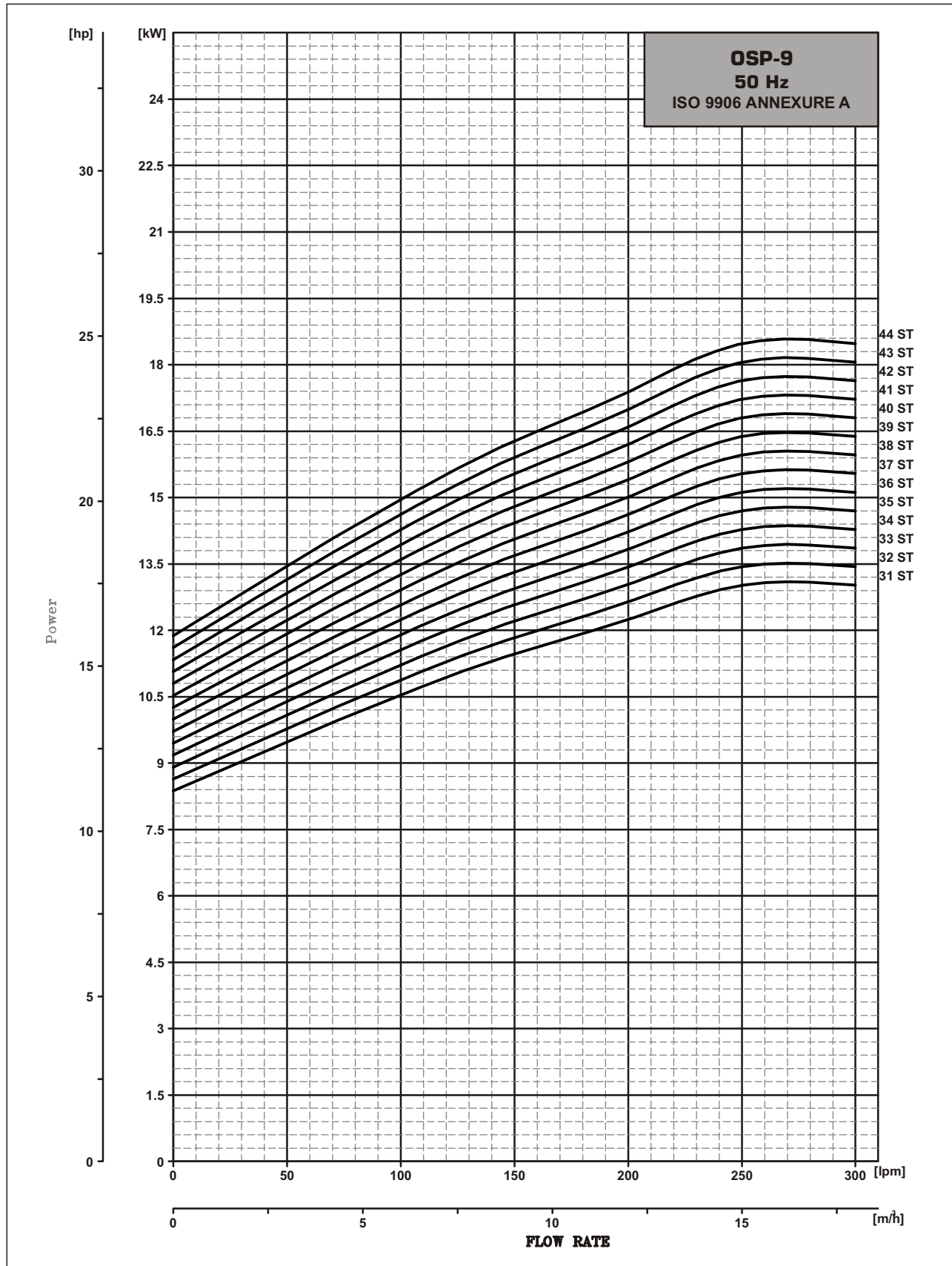
Power Curve



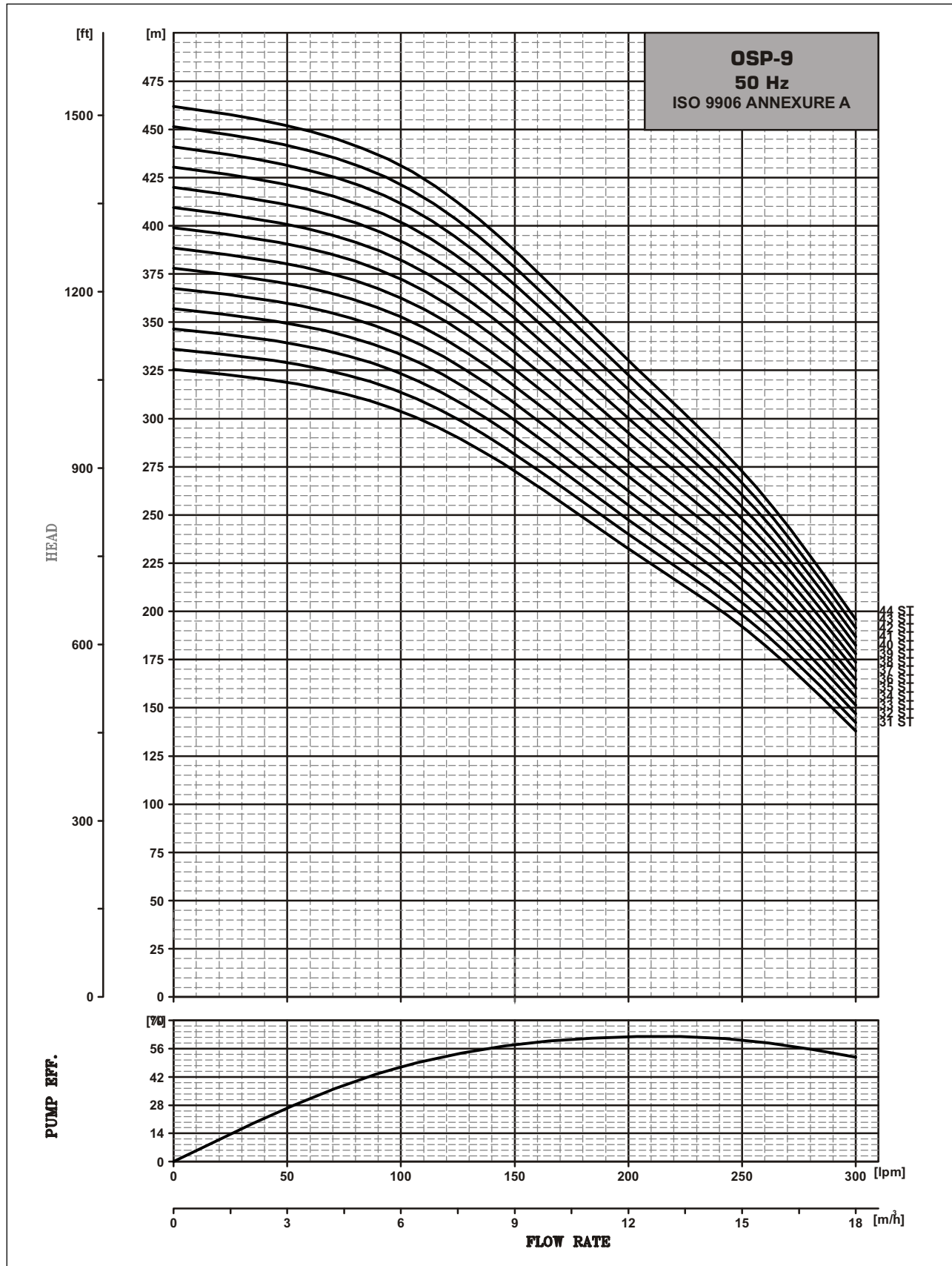
Performance Curve



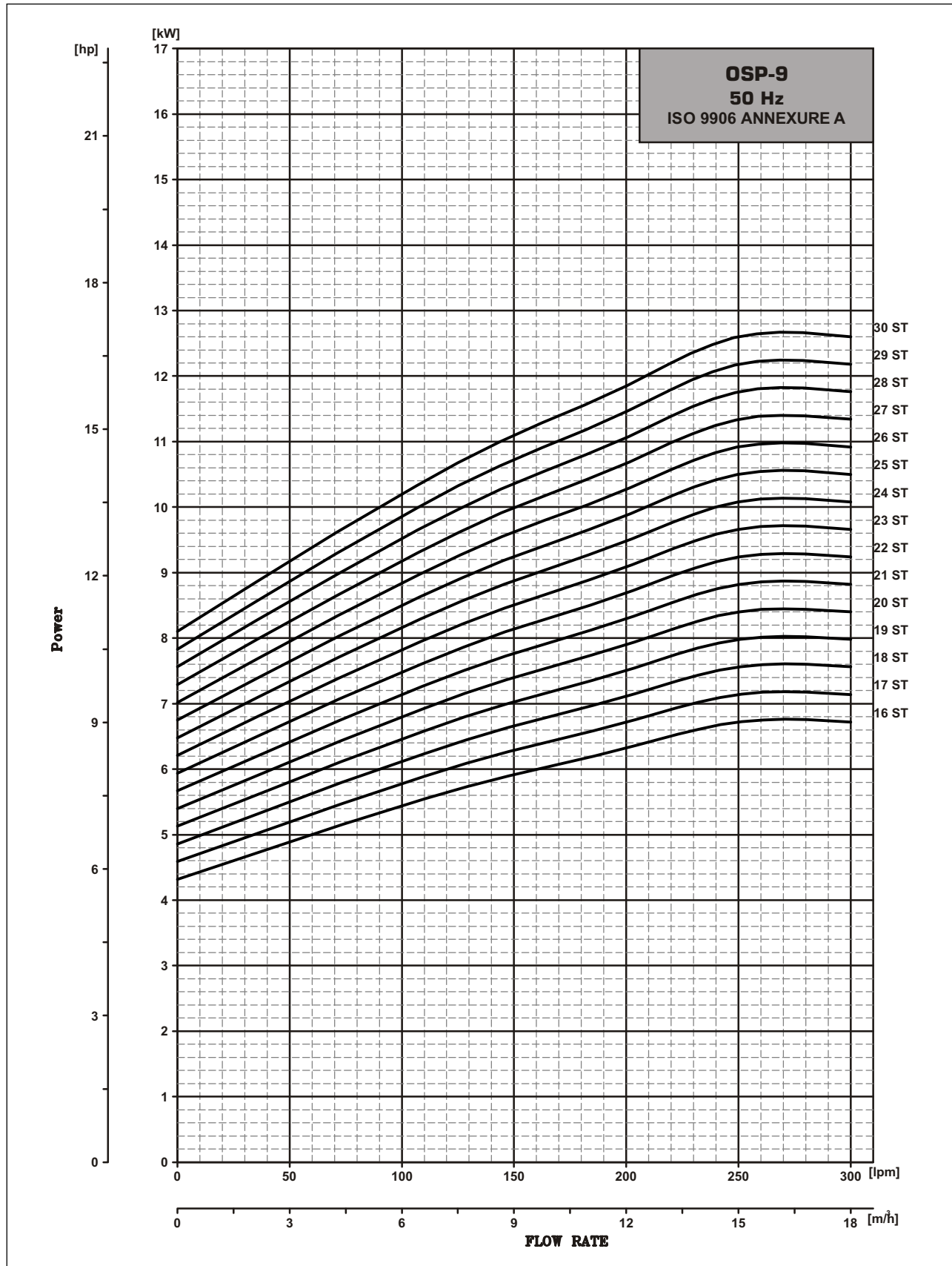
Power Curves



Performance Curves



Power Curves



Performance Table

Submersible Pump OSP-12

MODEL OSP-12	K.W.	H.P.	Stage	Motor joining	Out let Size	Discharge						
						M ³ /H	0	6	9	12	15	18
						(LPM)	0	100	150	200	250	300
OSP - 12 (E) (4x6)	0.55	0.75	1	V-4	2" BSP	10.5	10	9.5	8.5	7.5	5.7	
OSP - 12 (E) (4x6)	1.1	1.5	2	V-4	2" BSP	21	20	19	17	15	11	
OSP - 12 (E) (4x6)	1.5	2	3	V-4	2" BSP	32	30	29	26	23	17	
OSP - 12 (E) (4x6)	2.2	3	4	V-4	2" BSP	42	40	38	34	30	23	
OSP - 12 (E) (4x6)	3	4	5	V-4	2" BSP	53	50	48	43	38	29	
OSP - 12 (E) (4x6)	3	4	6	V-4	2" BSP	63	60	57	51	45	34	
OSP - 12 (E) (4x6)	3.7	5	7	V-6	2" BSP	74	70	67	60	53	40	
OSP - 12 (E) (4x6)	3.7	5	8	V-6	2" BSP	84	80	76	68	60	46	
OSP - 12 (E) (4x6)	4.5	6	9	V-6	2" BSP	95	90	86	77	68	51	
OSP - 12 (E) (4x6)	4.5	6	10	V-6	2" BSP	105	100	95	85	75	57	
OSP - 12 (E)	5.5	7.5	11	V-6	2" BSP	116	110	105	94	83	63	
OSP - 12 (E)	5.5	7.5	12	V-6	2" BSP	126	120	114	102	90	68	
OSP - 12 (E)	7.5	10	13	V-6	2" BSP	137	130	124	111	98	74	
OSP - 12 (E)	7.5	10	14	V-6	2" BSP	147	140	133	119	105	80	
OSP - 12 (E)	7.5	10	15	V-6	2" BSP	158	150	143	128	113	86	
OSP - 12 (E)	7.5	10	16	V-6	2" BSP	168	160	152	136	120	91	
OSP - 12 (E)	9.3	12.5	17	V-6	2" BSP	179	170	162	145	128	97	
OSP - 12 (E)	9.3	12.5	18	V-6	2" BSP	189	180	171	153	135	103	
OSP - 12 (E)	9.3	12.5	19	V-6	2" BSP	200	190	181	162	143	108	
OSP - 12 (E)	9.3	12.5	20	V-6	2" BSP	210	200	190	170	150	114	
OSP - 12 (E)	11	15	21	V-6	2" BSP	221	210	200	179	158	120	
OSP - 12 (E)	11	15	22	V-6	2" BSP	231	220	209	187	165	125	
OSP - 12 (E)	11	15	23	V-6	2" BSP	242	230	219	196	173	131	
OSP - 12 (E)	11	15	24	V-6	2" BSP	252	240	228	204	180	137	
OSP - 12 (E)	13	17.5	25	V-6	2" BSP	263	250	238	213	188	143	
OSP - 12 (E)	13	17.5	26	V-6	2" BSP	273	260	247	221	195	148	
OSP - 12 (E)	13	17.5	27	V-6	2" BSP	284	270	257	230	203	154	
OSP - 12 (E)	13	17.5	28	V-6	2" BSP	294	280	266	238	210	160	
OSP - 12 (E)	11	20	30	V-6	2" BSP	315	300	285	255	225	171	
OSP - 12 (E)	11	20	31	V-6	2" BSP	326	310	295	264	233	177	
OSP - 12 (E)	11	20	32	V-6	2" BSP	336	320	304	272	240	182	
OSP - 12 (E)	11	20	33	V-6	2" BSP	347	330	314	281	248	188	
OSP - 12 (E)	18.5	25	34	V-6	2" BSP	357	340	323	289	255	194	
OSP - 12 (E)	18.5	25	35	V-6	2" BSP	368	350	333	298	263	200	
OSP - 12 (E)	18.5	25	36	V-6	2" BSP	378	360	342	306	270	205	
OSP - 12 (E)	18.5	25	37	V-6	2" BSP	389	370	352	315	278	211	
OSP - 12 (E)	18.5	25	38	V-6	2" BSP	399	380	361	323	285	217	
OSP - 12 (E)	18.5	25	39	V-6	2" BSP	410	390	371	332	293	222	
OSP - 12 (E)	18.5	25	40	V-6	2" BSP	420	400	380	340	300	228	
OSP - 12 (E)	22	30	41	V-6	2" BSP	431	410	390	349	308	234	
OSP - 12 (E)	22	30	42	V-6	2" BSP	441	420	399	357	315	239	
OSP - 12 (E)	22	30	43	V-6	2" BSP	452	430	409	366	323	245	
OSP - 12 (E)	22	30	44	V-6	2" BSP	462	440	418	374	330	251	

(HEAD (METERS))

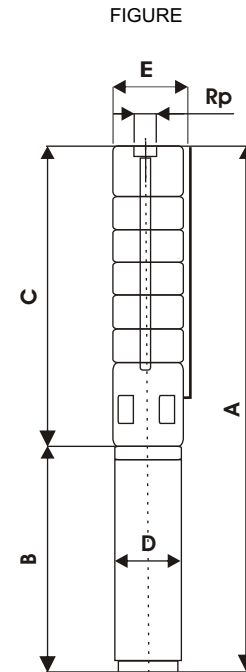
Technical Data

Submersible Pump OSP-12

PUMP MODEL	STAGE	MOTOR		PUMP				MOTOR
		JOINING MOTOR	POWER (KW)	Length	E*	E**	Weight Kg	OD
				C				
OSP-12	1	V-4	0.55	335	131		5.3	95
OSP-12	2	V-4	1.10	395	131		6.6	95
OSP-12	3	V-4	1.5	455	131		7.8	95
OSP-12	4	V-4	2.2	515	131		9.1	95
OSP-12	5	V-4	3.0	575	131		10.3	95
OSP-12	6	V-4	3.0	635	131		11.6	95
OSP-12	7	V-4	3.7	695	131		12.8	95
OSP-12	8	V-4	3.7	755	131		14.1	95
OSP-12	9	V-4	4.5	815	131		15.3	95
OSP-12	10	V-4	4.5	875	131		16.6	95
OSP - 12	7	V-6	3.7	695	143	145	12.9	144
OSP - 12	8	V-6	3.7	755	143	145	14.2	144
OSP - 12	9	V-6	4.5	815	143	145	15.5	144
OSP - 12	10	V-6	4.5	875	143	145	16.7	144
OSP - 12	11	V-6	5.5	935	143	145	18.0	144
OSP - 12	12	V-6	5.5	995	143	145	19.2	144
OSP - 12	13	V-6	7.5	1055	143	145	20.5	144
OSP - 12	14	V-6	7.5	1115	143	145	21.8	144
OSP - 12	15	V-6	7.5	1175	143	145	23.0	144
OSP - 12	16	V-6	7.5	1235	143	145	24.3	144
OSP - 12	17	V-6	9.3	1295	143	145	25.5	144
OSP - 12	18	V-6	9.3	1355	143	145	26.8	144
OSP - 12	19	V-6	9.3	1415	143	145	28.1	144
OSP - 12	20	V-6	9.3	1475	143	145	29.3	144
OSP - 12	21	V-6	11.0	1535	143	145	30.6	144
OSP - 12	22	V-6	11.0	1595	143	145	31.8	144
OSP - 12	23	V-6	11.0	1655	143	145	33.1	144
OSP - 12	24	V-6	11.0	1715	143	145	34.4	144
OSP - 12	25	V-6	13.0	1775	143	145	35.6	144
OSP - 12	26	V-6	13.0	1835	143	145	36.9	144
OSP - 12	27	V-6	13.0	1895	143	145	38.1	144
OSP - 12	28	V-6	13.0	1955	143	145	39.4	144
OSP - 12	29	V-6	15.0	2015	143	145	40.7	144
OSP - 12	30	V-6	15.0	2075	143	145	41.9	144
OSP - 12	31	V-6	15.0	2135	143	145	43.2	144
OSP - 12	32	V-6	15.0	2195	143	145	44.4	144
OSP - 12	33	V-6	15.0	2255	143	145	45.7	144
OSP - 12	34	V-6	18.5	2315	143	145	47.0	144
OSP - 12	35	V-6	18.5	2375	143	145	48.2	144
OSP - 12	36	V-6	18.5	2435	143	145	49.5	144
OSP - 12	37	V-6	18.5	2495	143	145	50.7	144
OSP - 12	38	V-6	18.5	2555	143	145	52.0	144
OSP - 12	39	V-6	18.5	2615	143	145	53.3	144
OSP - 12	40	V-6	18.5	2675	143	145	54.5	144
OSP - 12	41	V-6	22.0	2735	143	145	55.8	144
OSP - 12	42	V-6	22.0	2795	143	145	57.0	144
OSP - 12	43	V-6	22.0	2855	143	145	58.3	144
OSP - 12	44	V-6	22.0	2915	143	145	59.6	144

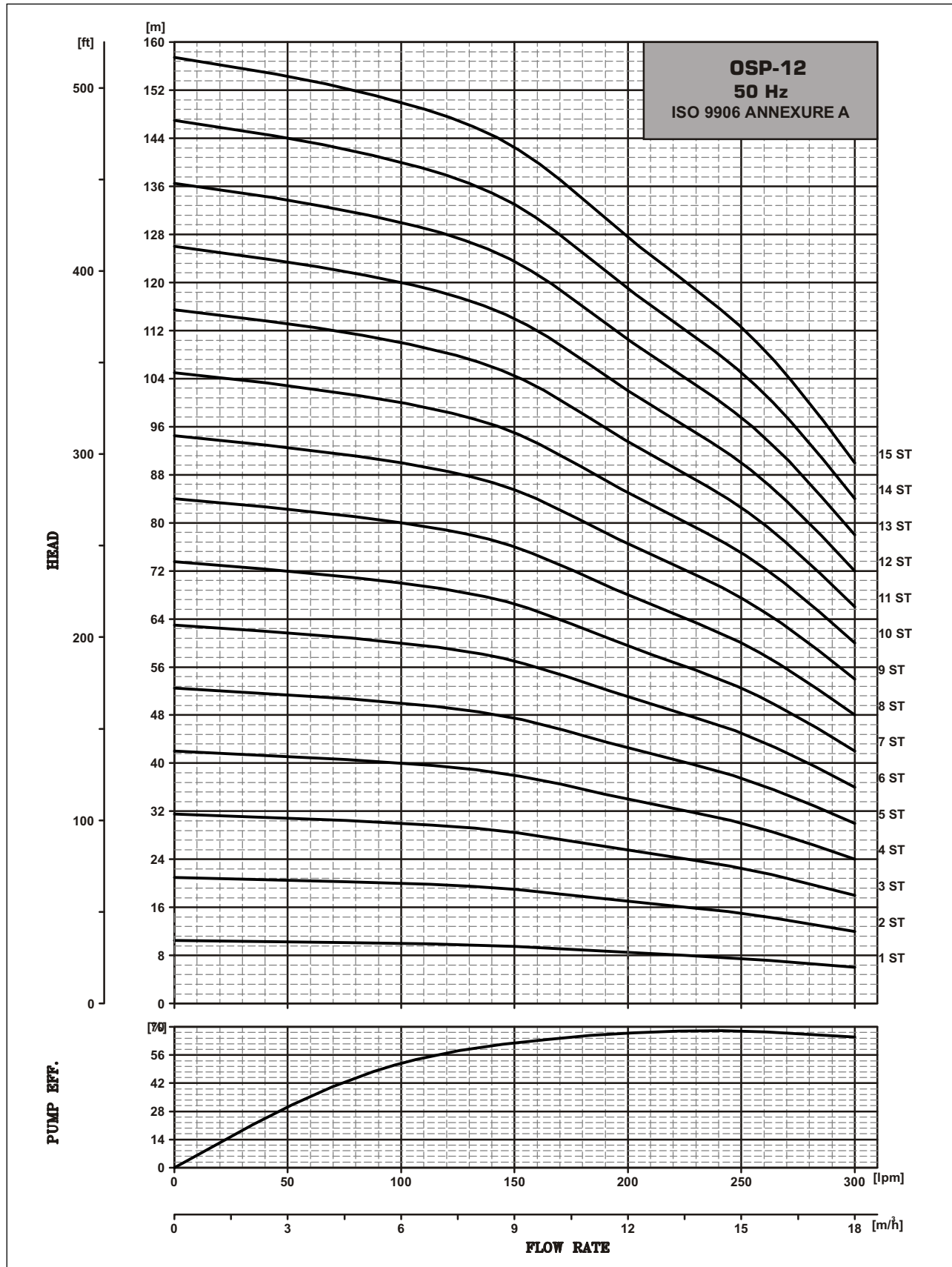
* MAX.DIA OF PUMP WITH ONE MOTOR CABLE

** MAX.DIA OF PUMP WITH TWO MOTOR CABLE

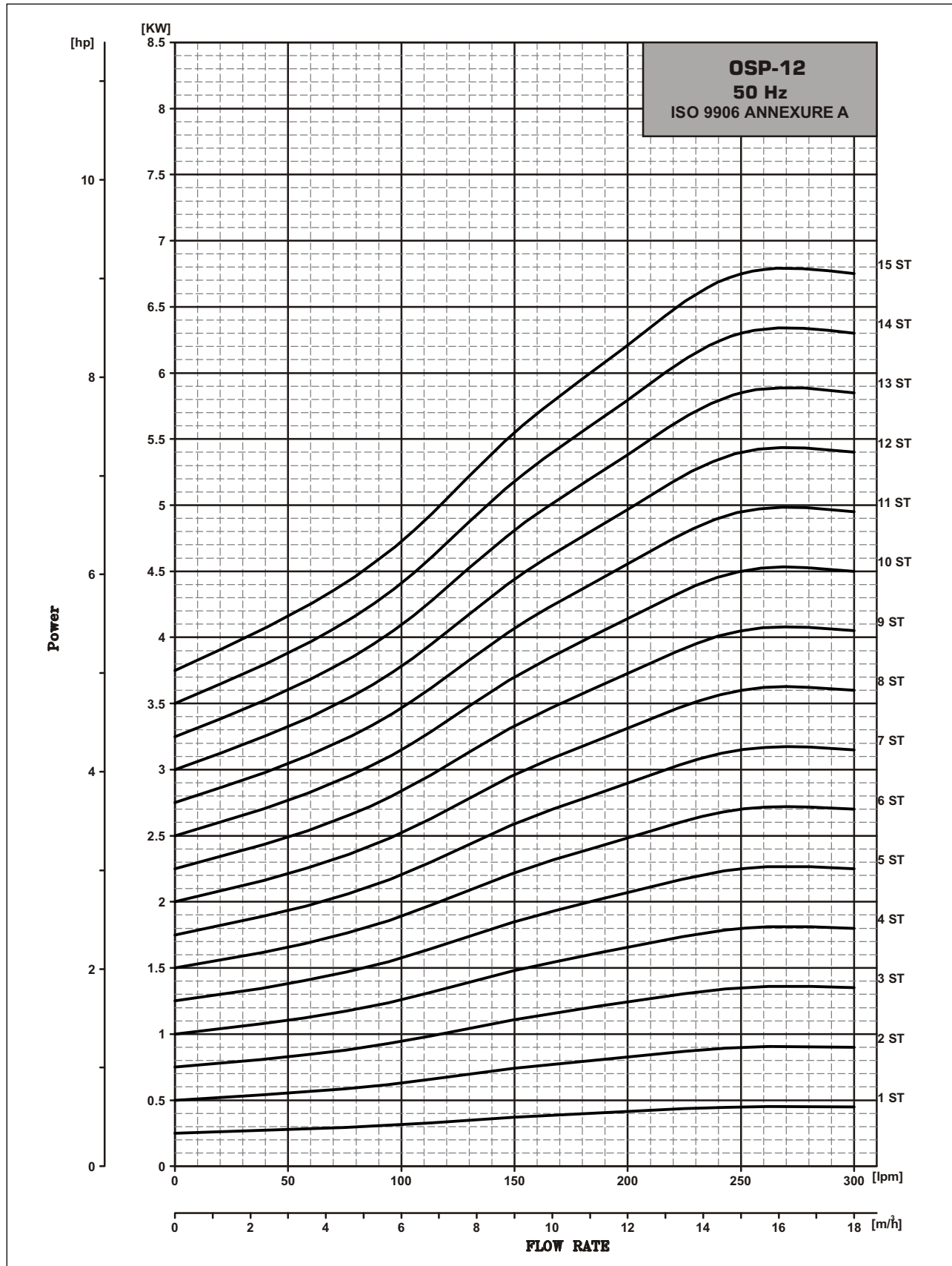




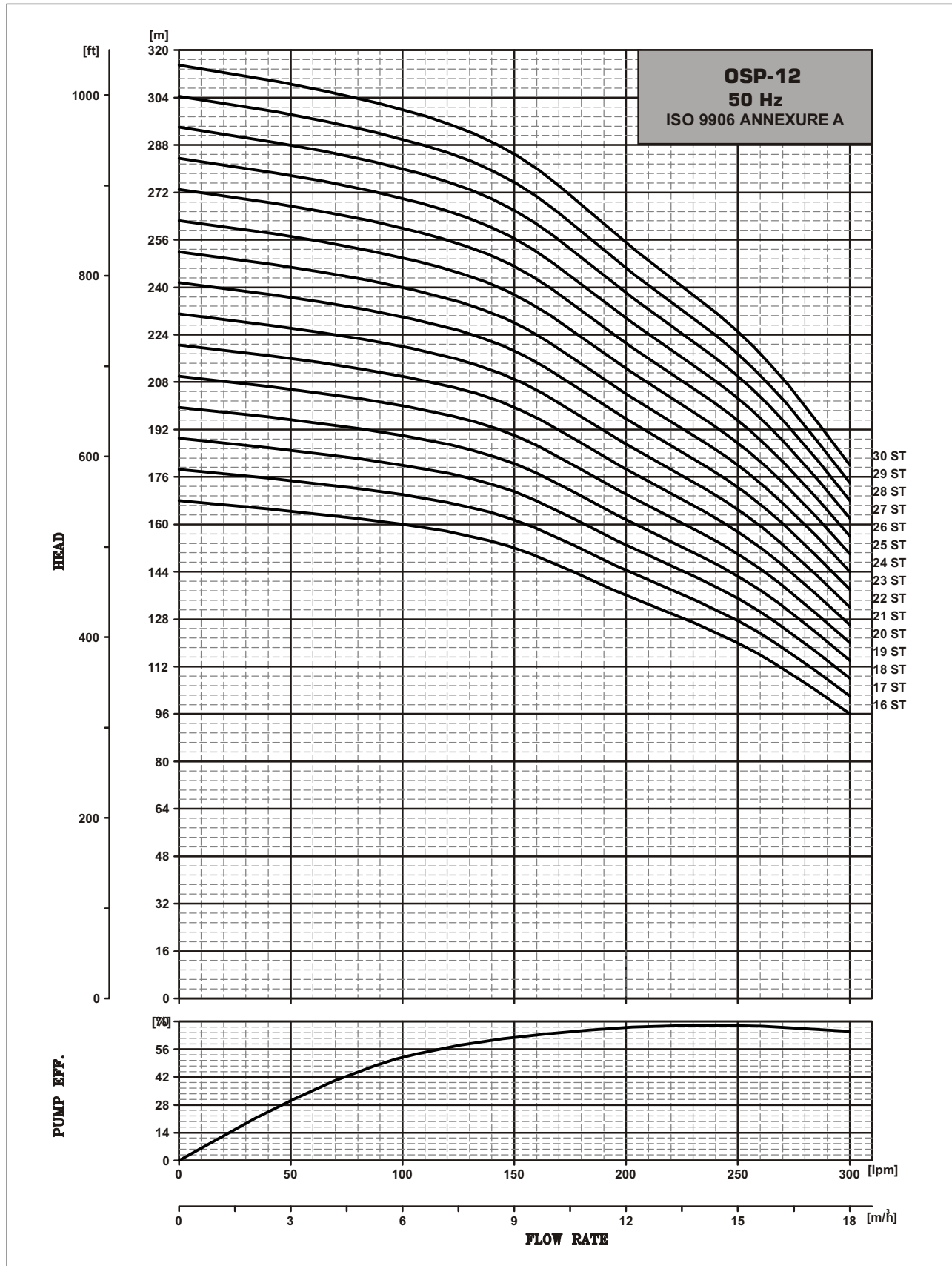
Performance Curves



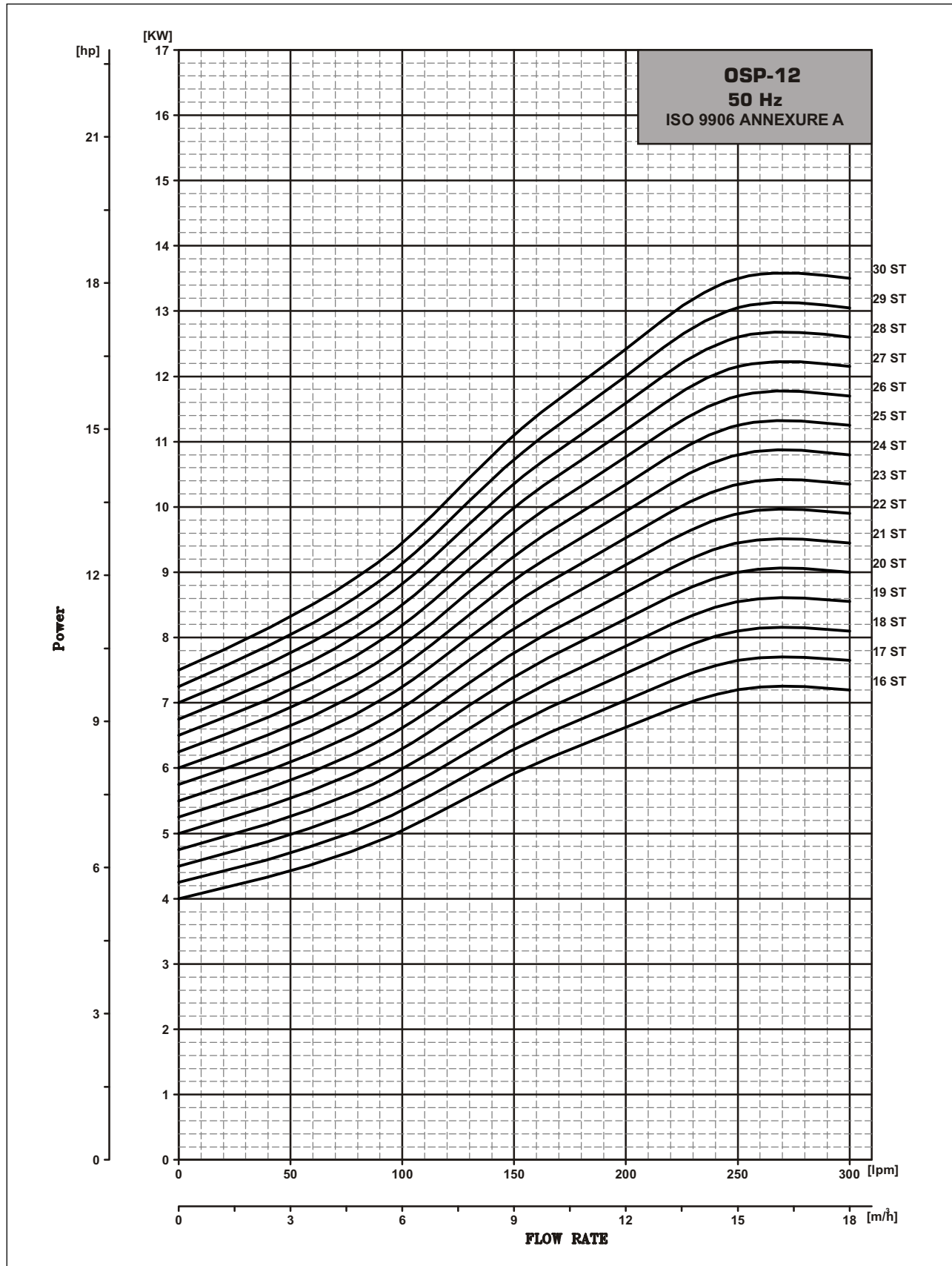
Power Curves



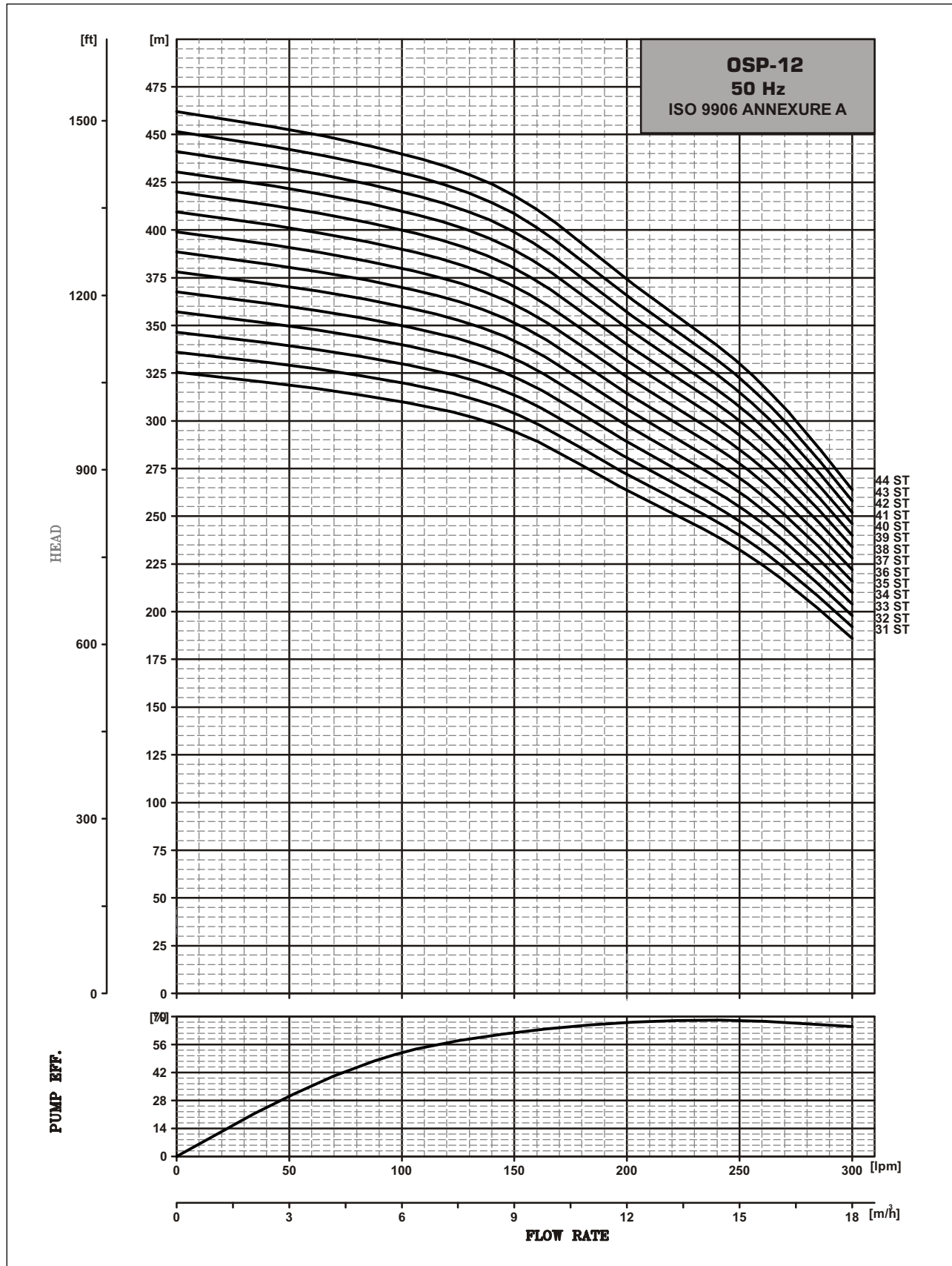
Performance Curves



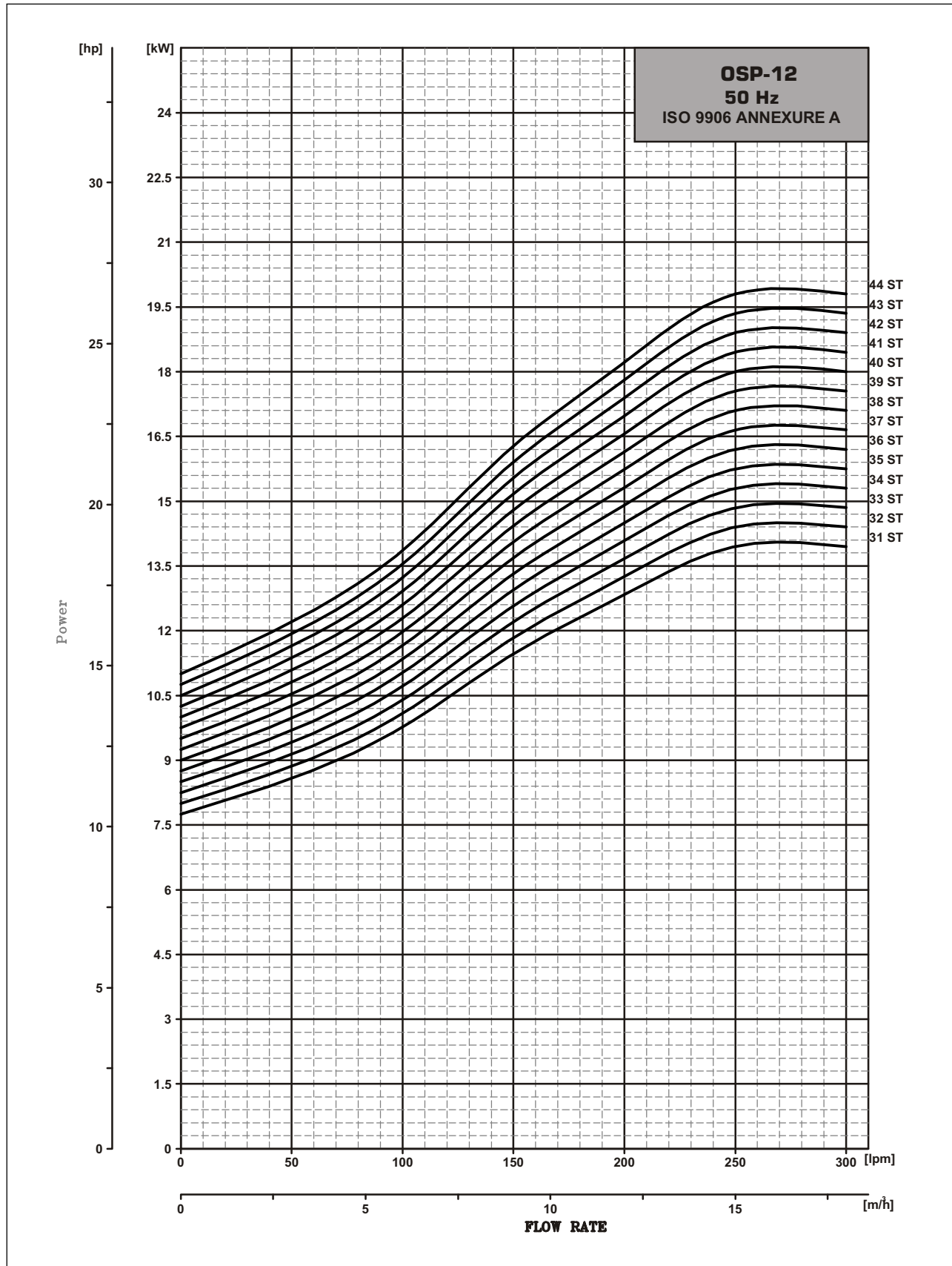
Power Curves



Performance Curves



Power Curves



Performance Table Submersible Pump OSP-17

MODEL OSP-17	K.W.	H.P.	Stage	Motor joining	Out let Size	Discharge						
						M ³ /H (LPM)	0	6	12	15	18	21
							0	100	200	250	300	350
OSP - 17 (E) (4x6)	0.55	0.75	1	V-4	2½ BSP	11.2	11	9.8	8.8	7.4	5.7	
OSP - 17 (E) (4x6)	1.1	1.5	2	V-4	2½ BSP	22	22	20	18	15	11	
OSP - 17 (E) (4x6)	2.2	3	3	V-4	2½ BSP	34	33	29	26	22	17	
OSP - 17 (E) (4x6)	2.2	3	4	V-4	2½ BSP	45	44	39	35	30	23	
OSP - 17 (E) (4x6)	3	4	5	V-4	2½ BSP	56	55	49	44	37	29	
OSP - 17 (E) (4x6)	3	4	6	V-6	2½ BSP	67	66	59	53	44	34	
OSP - 17 (E) (4x6)	3.7	5	6	V-6	2½ BSP	67	66	59	53	44	34	
OSP - 17 (E) (4x6)	4.5	6	7	V-6	2½ BSP	78	77	69	62	52	40	
OSP - 17 (E)	5.5	7.5	8	V-6	2½ BSP	90	88	78	70	59	46	
OSP - 17 (E)	5.5	7.5	9	V-6	2½ BSP	101	99	88	79	67	51	
OSP - 17 (E)	5.5	7.5	10	V-6	2½ BSP	112	110	98	88	74	57	
OSP - 17 (E)	7.5	10	11	V-6	2½ BSP	123	121	108	97	81	63	
OSP - 17 (E)	7.5	10	12	V-6	2½ BSP	134	132	118	106	89	68	
OSP - 17 (E)	7.5	10	13	V-6	2½ BSP	146	143	127	114	96	74	
OSP - 17 (E)	9.3	12.5	14	V-6	2½ BSP	157	154	137	123	104	80	
OSP - 17 (E)	9.3	12.5	15	V-6	2½ BSP	168	165	147	132	111	86	
OSP - 17 (E)	9.3	12.5	16	V-6	2½ BSP	179	176	157	141	118	91	
OSP - 17 (E)	9.3	12.5	17	V-6	2½ BSP	190	187	167	150	126	97	
OSP - 17 (E)	11	15	18	V-6	2½ BSP	202	198	176	158	133	103	
OSP - 17 (E)	11	15	19	V-6	2½ BSP	213	209	186	167	141	108	
OSP - 17 (E)	11	15	20	V-6	2½ BSP	224	220	196	176	148	114	
OSP - 17 (E)	13	17.5	21	V-6	2½ BSP	235	231	206	185	155	120	
OSP - 17 (E)	13	17.5	22	V-6	2½ BSP	246	242	216	194	163	125	
OSP - 17 (E)	13	17.5	23	V-6	2½ BSP	258	253	225	202	170	131	
OSP - 17 (E)	13	17.5	24	V-6	2½ BSP	269	264	235	211	178	137	
OSP - 17 (E)	15	20	25	V-6	2½ BSP	280	275	245	220	185	143	
OSP - 17 (E)	15	20	26	V-6	2½ BSP	291	286	255	229	192	148	
OSP - 17 (E)	15	20	27	V-6	2½ BSP	302	297	265	238	200	154	
OSP - 17 (E)	18.5	25	28	V-6	2½ BSP	314	308	274	246	207	160	
OSP - 17 (E)	18.5	25	29	V-6	2½ BSP	325	319	284	255	215	165	
OSP - 17 (E)	18.5	25	30	V-6	2½ BSP	336	330	294	264	222	171	
OSP - 17 (E)	18.5	25	31	V-6	2½ BSP	347	341	304	273	229	177	
OSP - 17 (E)	18.5	25	32	V-6	2½ BSP	358	352	314	282	237	182	
OSP - 17 (E)	18.5	25	33	V-6	2½ BSP	370	363	323	290	244	188	
OSP - 17 (E)	22	30	34	V-6	2½ BSP	381	374	333	299	252	194	
OSP - 17 (E)	22	30	35	V-6	2½ BSP	392	385	343	308	259	200	
OSP - 17 (E)	22	30	36	V-6	2½ BSP	403	396	353	317	266	205	
OSP - 17 (E)	22	30	37	V-6	2½ BSP	414	407	363	326	274	211	
OSP - 17 (E)	22	30	38	V-6	2½ BSP	426	418	372	334	281	217	
OSP - 17 (E)	22	30	39	V-6	2½ BSP	437	429	382	343	289	222	
OSP - 17 (E)	22	30	40	V-6	2½ BSP	448	440	392	352	296	228	
OSP - 17 (E)	26	35	43	V-6	2½ BSP	482	473	421	378	318	245	
OSP - 17 (E)	26	35	45	V-6	2½ BSP	504	495	441	396	333	257	
OSP - 17 (E)	26	35	45	V-6	2½ BSP	504	495	441	396	333	257	
OSP - 17 (E)	30	40	48	V-6	2½ BSP	538	528	470	422	355	274	
OSP - 17 (E) (8X6)	30	40	51	V-8	2½ BSP	571	561	500	449	377	291	
OSP - 17 (E) (8X6)	30	40	53	V-8	2½ BSP	594	583	519	466	392	302	
OSP - 17 (E) (8X6)	30	40	55	V-8	2½ BSP	616	605	539	484	407	314	
OSP - 17 (E) (8X6)	37	50	58	V-8	2½ BSP	650	638	568	510	429	331	
OSP - 17 (E) (8X6)	37	50	60	V-8	2½ BSP	672	660	588	528	444	342	

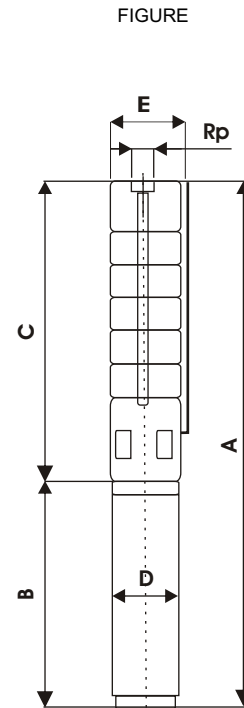
HEAD (METERS)

Technical Data

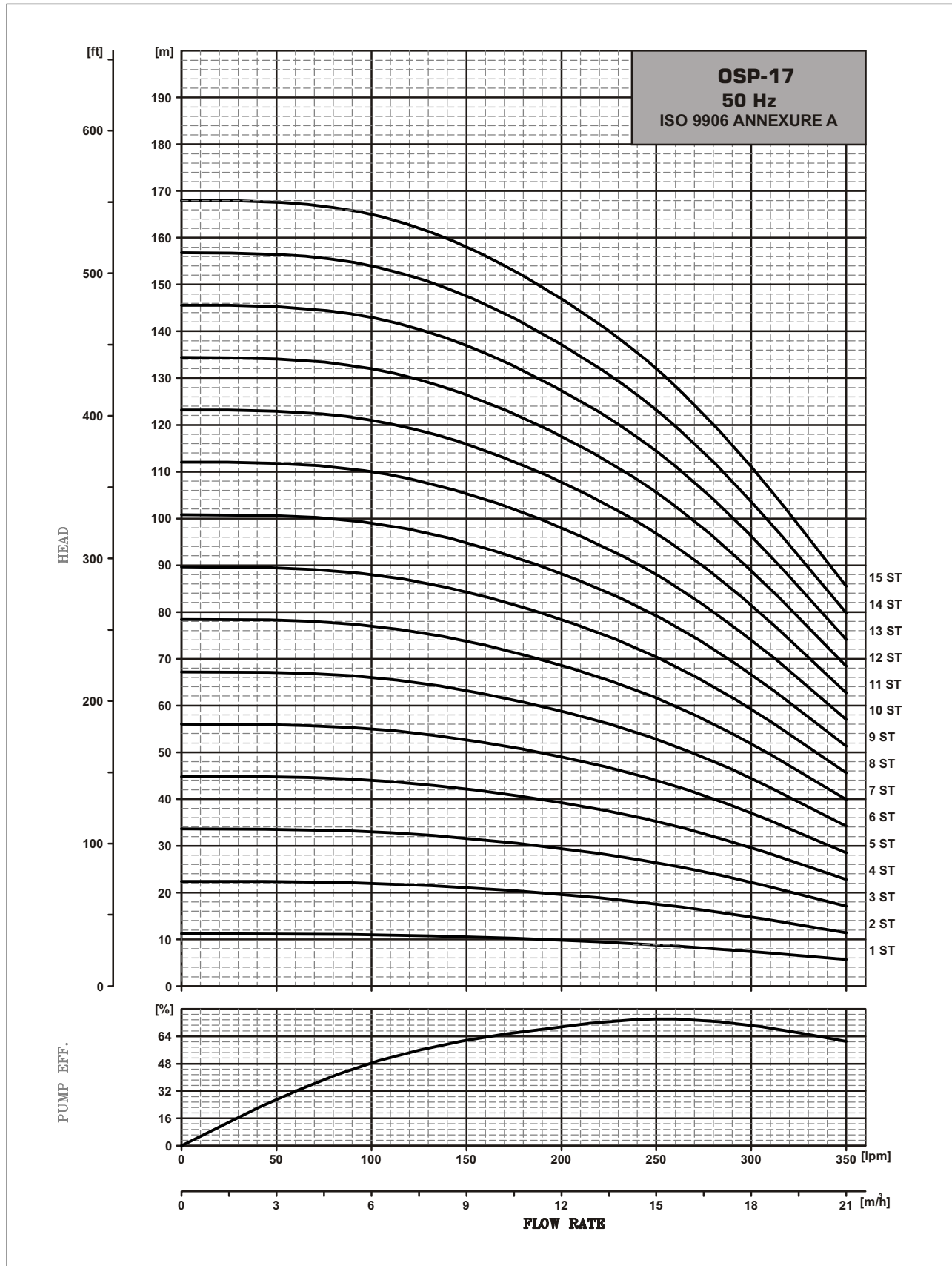
Submersible Pump OSP-17

PUMP MODEL	STAGE	MOTOR		PUMP			Weight Kg	MOTOR OD D
		JOINING MOTOR	POWER (KW)	Length C	E*	E**		
OSP-17	1	V-4	0.55	335	131		5.3	97
OSP-17	2	V-4	1.10	395	131		6.6	97
OSP-17	3	V-4	2.2	455	131		7.8	97
OSP-17	4	V-4	2.2	515	131		9.1	97
OSP-17	5	V-4	3.0	575	131		10.3	97
OSP-17	6	V-4	3.7	635	131		11.6	97
OSP-17	7	V-4	4.5	695	131		12.8	97
OSP-17	6	V-6	3.7	635	143	145	11.7	144
OSP-17	7	V-6	4.5	695	143	145	12.9	144
OSP-17	8	V-6	5.5	755	143	145	14.2	144
OSP-17	9	V-6	5.5	815	143	145	15.5	144
OSP-17	10	V-6	5.5	875	143	145	16.7	144
OSP-17	11	V-6	7.5	935	143	145	18.0	144
OSP-17	12	V-6	7.5	995	143	145	19.2	144
OSP-17	13	V-6	7.5	1055	143	145	20.5	144
OSP-17	14	V-6	9.3	1115	143	145	21.8	144
OSP-17	15	V-6	9.3	1175	143	145	23.0	144
OSP-17	16	V-6	9.3	1235	143	145	24.3	144
OSP-17	17	V-6	9.3	1295	143	145	25.5	144
OSP-17	18	V-6	11.0	1355	143	145	26.8	144
OSP-17	19	V-6	11.0	1415	143	145	28.1	144
OSP-17	20	V-6	11.0	1475	143	145	29.3	144
OSP-17	21	V-6	13.0	1535	143	145	30.6	144
OSP-17	22	V-6	13.0	1595	143	145	31.8	144
OSP-17	23	V-6	13.0	1655	143	145	33.1	144
OSP-17	24	V-6	13.0	1715	143	145	34.4	144
OSP-17	25	V-6	15.0	1775	143	145	35.6	144
OSP-17	26	V-6	15.0	1835	143	145	36.9	144
OSP-17	27	V-6	15.0	1895	143	145	38.1	144
OSP-17	28	V-6	18.5	1955	143	145	39.4	144
OSP-17	29	V-6	18.5	2015	143	145	40.7	144
OSP-17	30	V-6	18.5	2075	143	145	41.9	144
OSP-17	31	V-6	18.5	2135	143	145	43.2	144
OSP-17	32	V-6	18.5	2195	143	145	44.4	144
OSP-17	33	V-6	18.5	2255	143	145	45.7	144
OSP-17	34	V-6	22.0	2315	143	145	47.0	144
OSP-17	35	V-6	22.0	2375	143	145	48.2	144
OSP-17	36	V-6	22.0	2435	143	145	49.5	144
OSP-17	37	V-6	22.0	2495	143	145	50.7	144
OSP-17	38	V-6	22.0	2555	143	145	52.0	144
OSP-17	39	V-6	22.0	2615	143	145	53.3	144
OSP-17	40	V-6	22.0	2675	143	145	54.5	144
OSP-17	43	V-6	26.0	2855	143	145	144	144
OSP-17 (s)	45	V-6	26.0	2975	143	145	151	144
OSP-17 (s)	48	V-6	26.0	3155	143	145	161	144
OSP-17 (s)	51	V-6	30.0	3382	143	145	170	144
OSP-17 (s)	53	V-6	30.0	3502	143	145	177	144
OSP-17 (s)	55	V-6	30.0	3622	143	145	184	144
OSP-17 (s)	58	V-6	37.0	3802	143	145	193	144
OSP-17 (s)	60	V-6	37.0	3922	143	145	200	144
OSP-17 (s)	51	V-8	30.0	3382	188	188	173	189
OSP-17 (s)	53	V-8	30.0	3502	188	188	180	189
OSP-17 (s)	55	V-8	30.0	3622	188	188	186	189
OSP-17 (s)	58	V-8	37.0	3802	188	188	196	189
OSP-17 (s)	60	V-8	37.0	3922	188	188	202	189

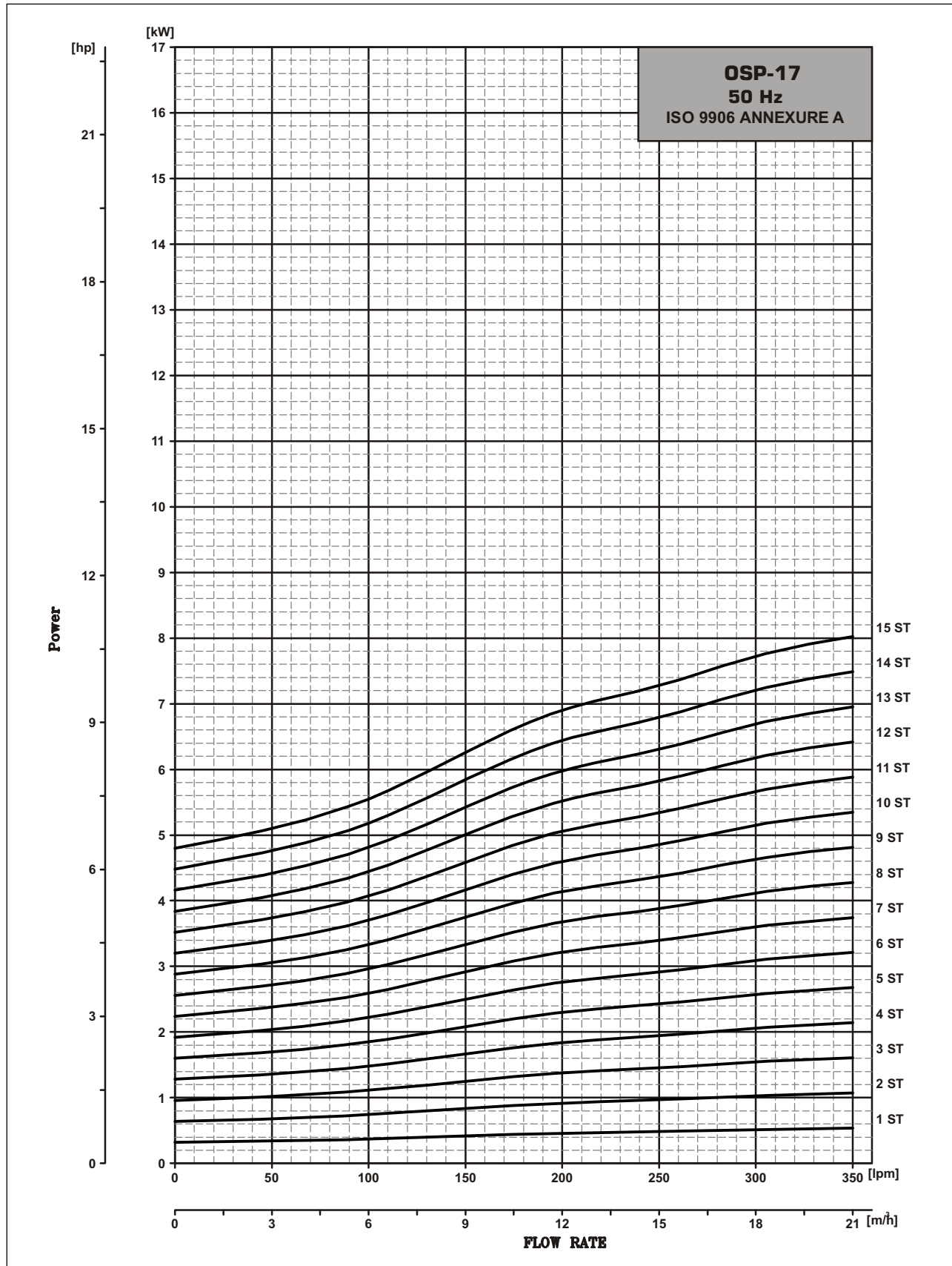
NOTE- (S) =MEANS PUMP WITH SLEEVE (EXTERNAL JACKET)



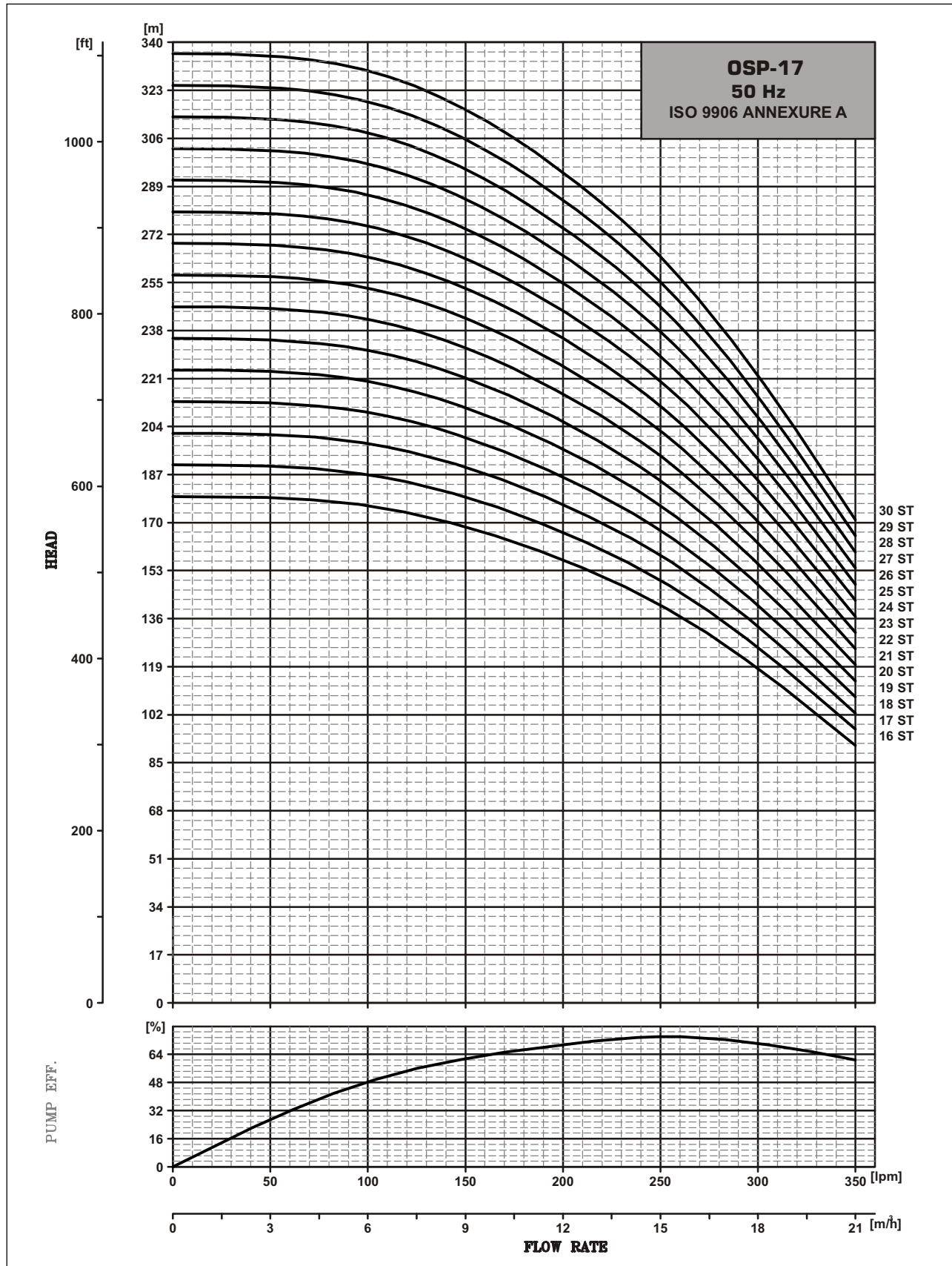
Performance Curves



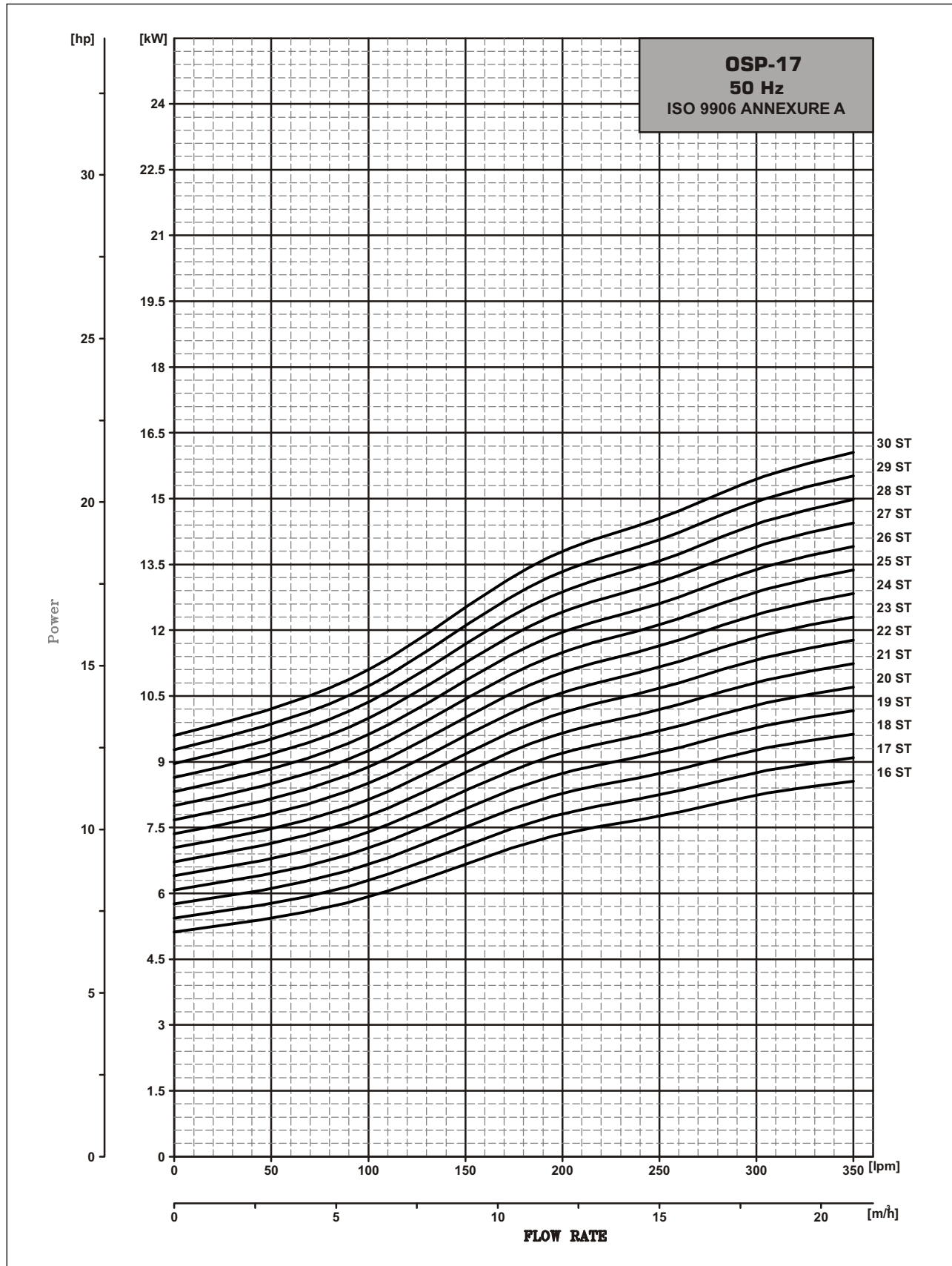
Power Curves



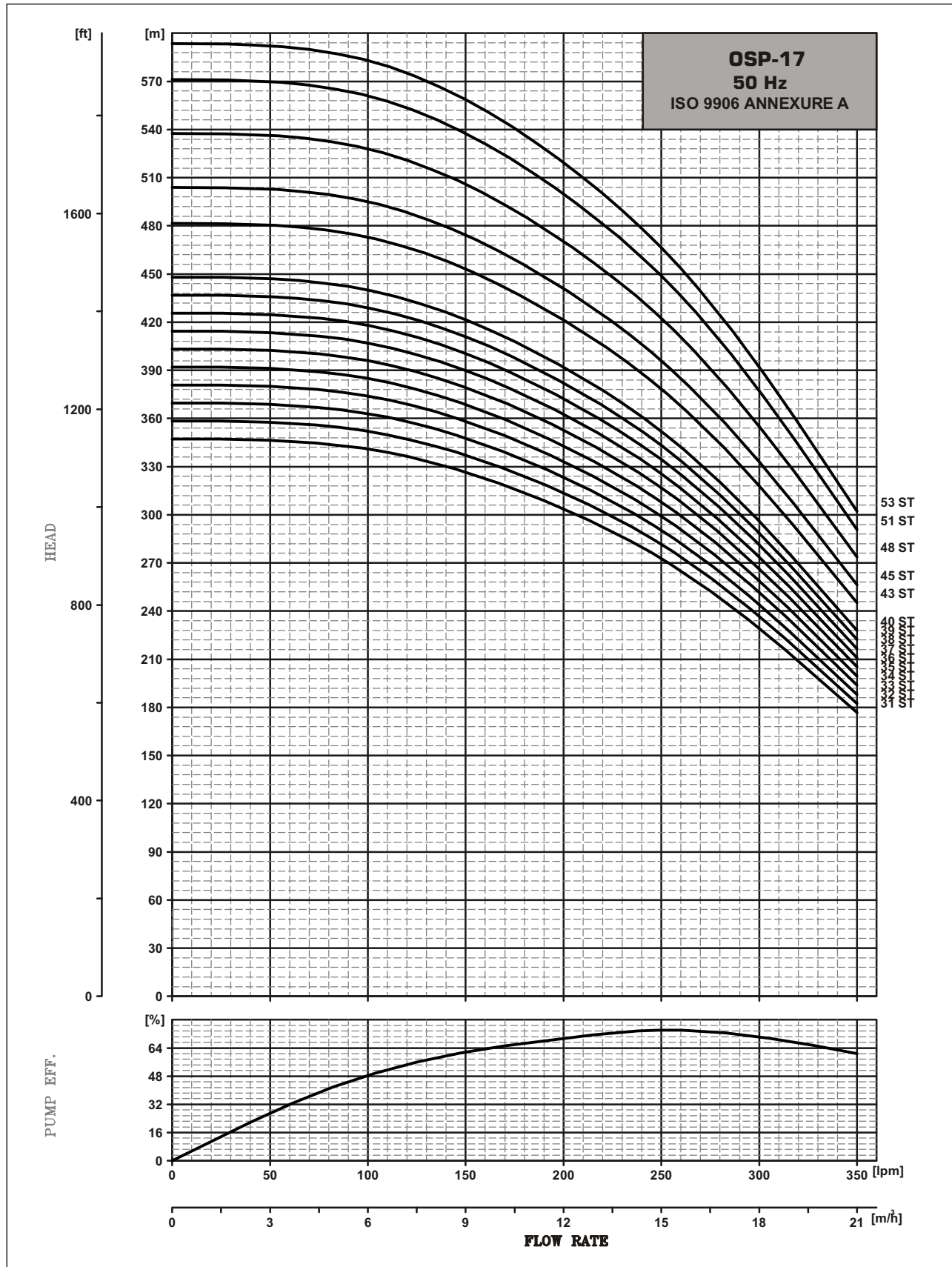
Performance Curves



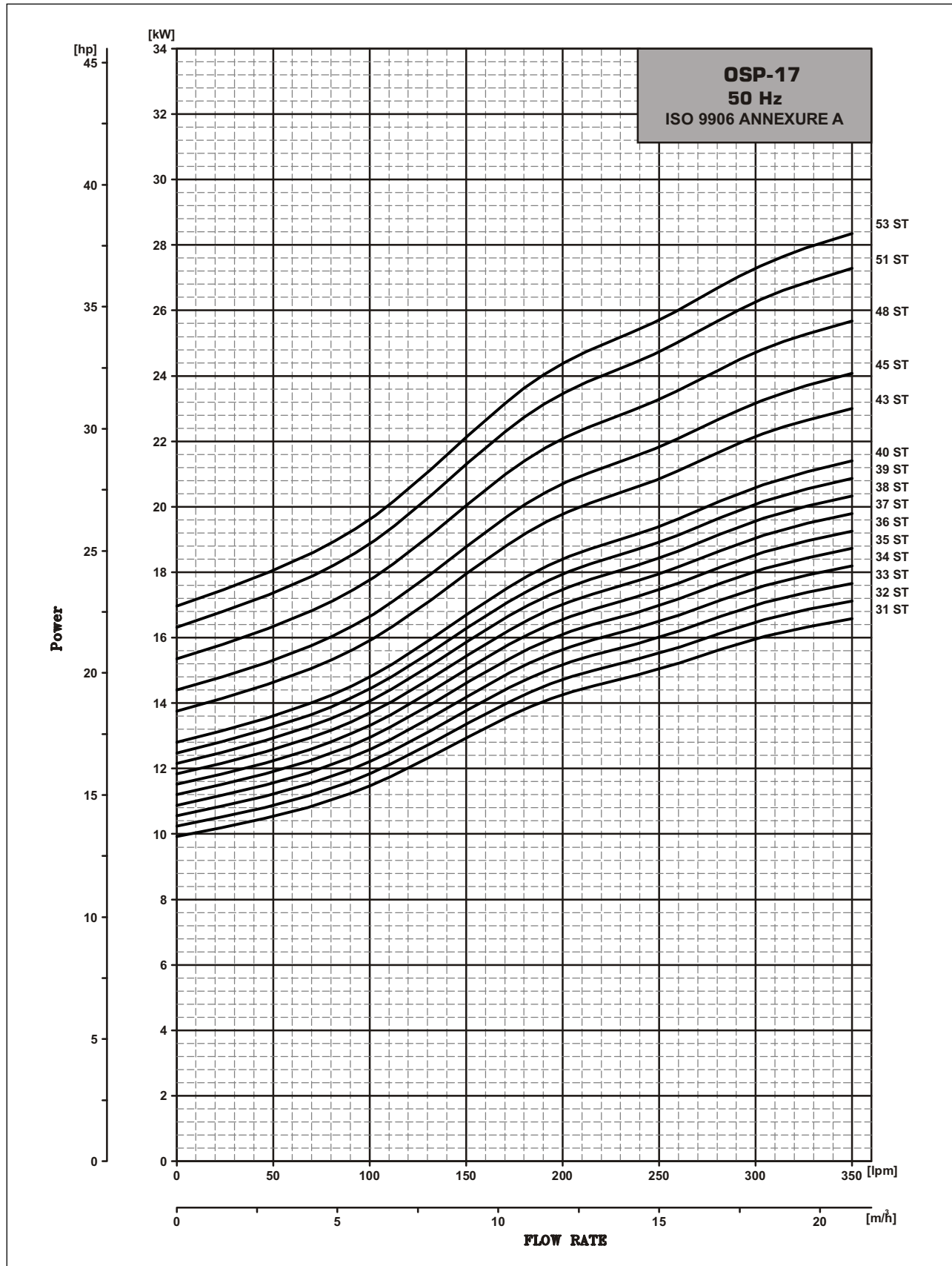
Power Curves



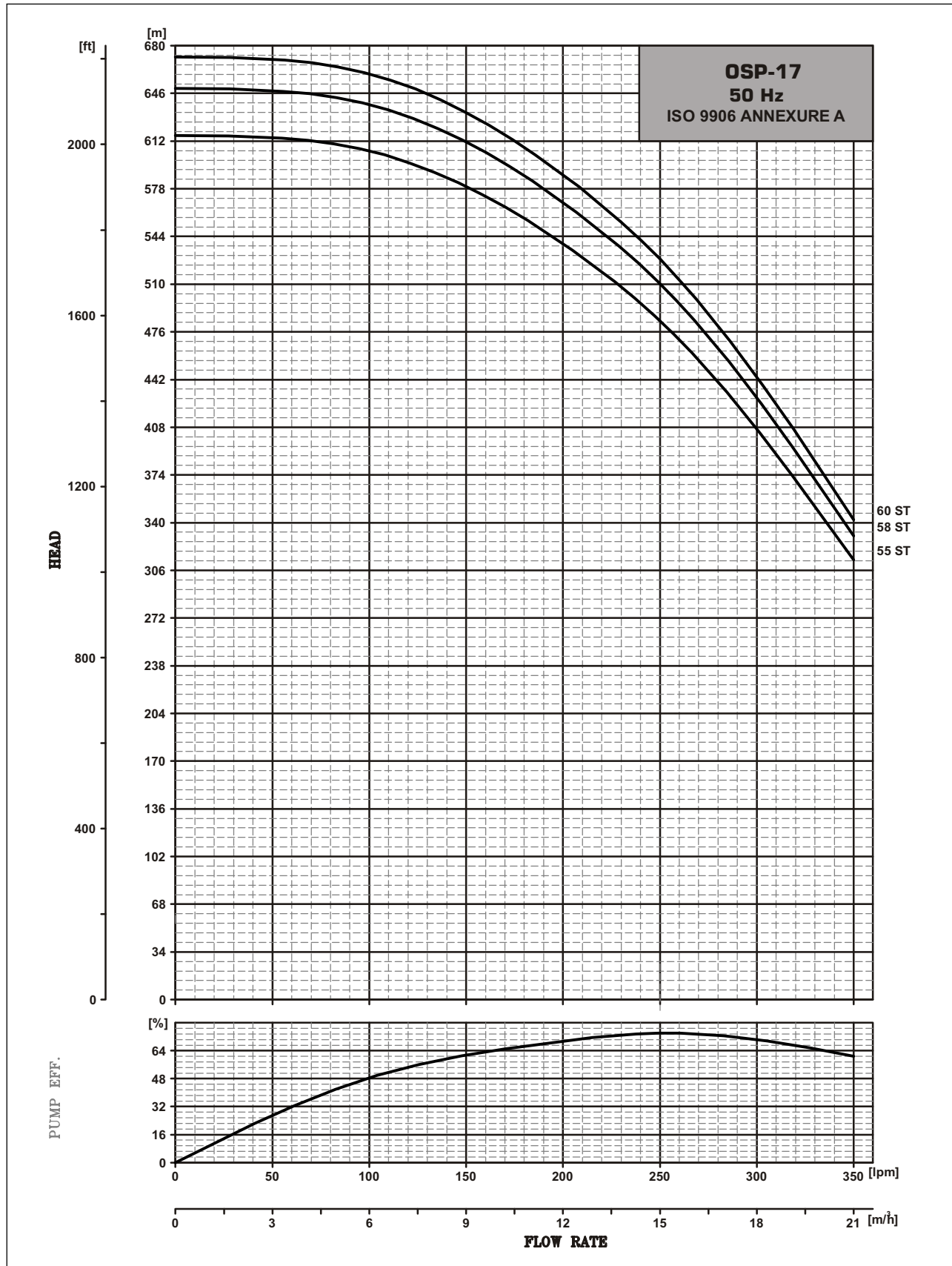
Performance Curves



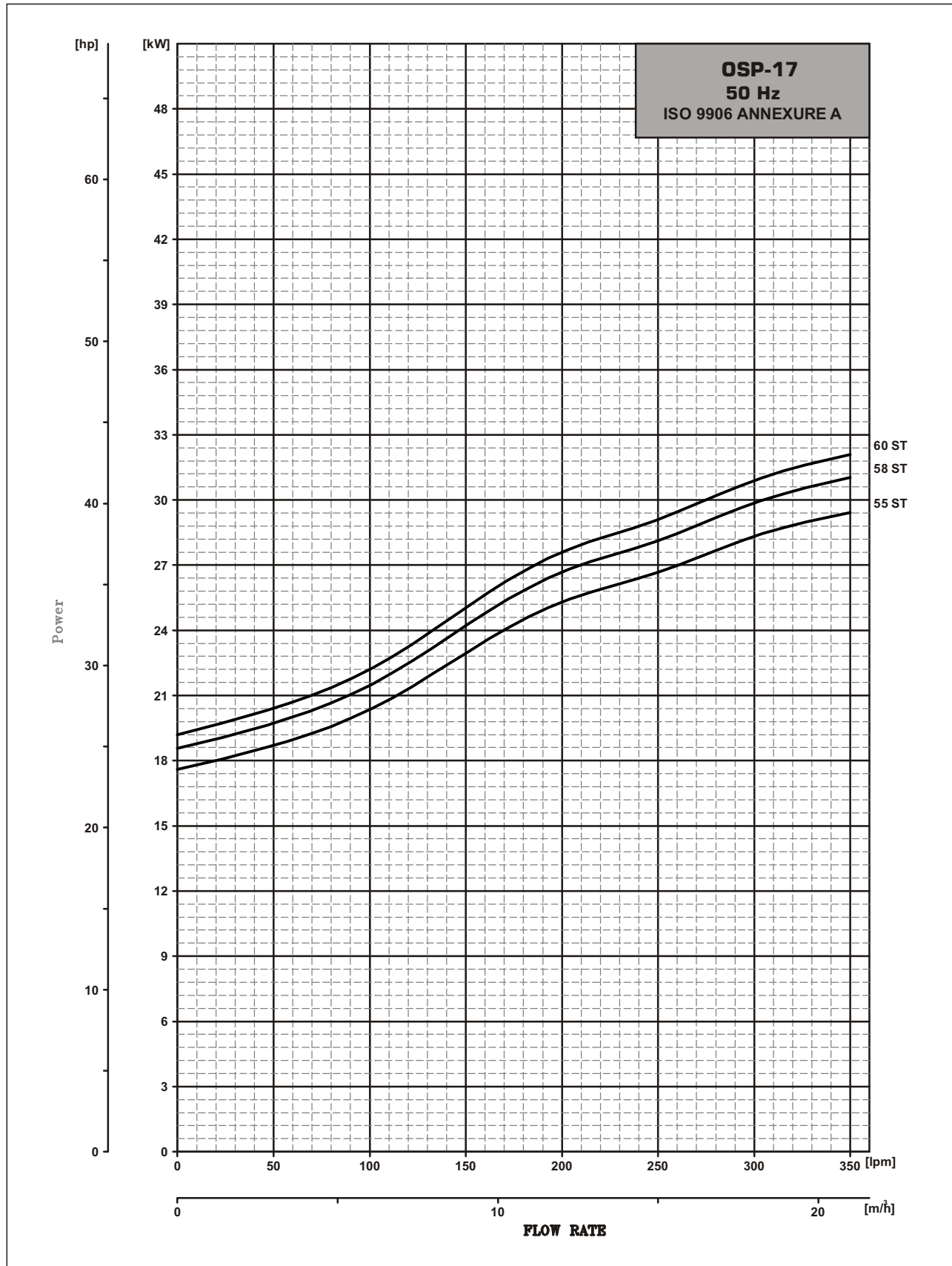
Power Curves



Performance Curves



Power Curves



Performance Table

Submersible Pump OSP-30

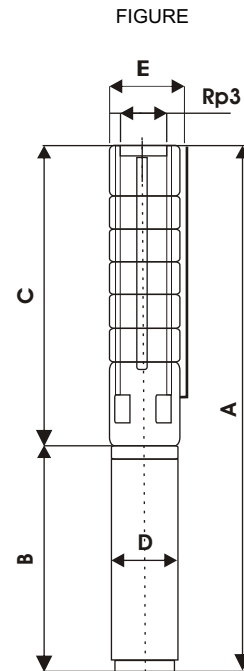
MODEL OSP-30	K.W.	H.P.	Stage	Motor joining	Out let Size	Discharge						
						M ³ /H	0	12	24	30	36	39
						(LPM)	0	200	400	500	600	650
OSP - 30 (E) (4x6)	1.1	1.5	1	V-4	3"BSP	11.4	10.6	8.8	7.5	5.4	4.2	
OSP - 30 (E) (4x6)	2.2	3	2	V-4	3"BSP	23	21	18	15	11	8	
OSP - 30 (E) (4x6)	3	4	3	V-4	3"BSP	34	32	26	23	16	13	
OSP - 30 (E) (4x6)	3.7	5	4	V-6	3"BSP	46	42	35	30	22	17	
OSP - 30 (E)	5.5	7.5	5	V-6	3"BSP	57	53	44	38	27	21	
OSP - 30 (E)	5.5	7.5	6	V-6	3"BSP	68	64	53	45	32	25	
OSP - 30 (E)	7.5	10	7	V-6	3"BSP	80	74	62	53	38	29	
OSP - 30 (E)	7.5	10	8	V-6	3"BSP	91	85	70	60	43	34	
OSP - 30 (E)	9.3	12.5	9	V-6	3"BSP	103	95	79	68	49	38	
OSP - 30 (E)	9.3	12.5	10	V-6	3"BSP	114	106	88	75	54	42	
OSP - 30 (E)	9.3	12.5	11	V-6	3"BSP	125	117	97	83	59	46	
OSP - 30 (E)	11	15	12	V-6	3"BSP	137	127	106	90	65	50	
OSP - 30 (E)	11	15	13	V-6	3"BSP	148	138	114	98	70	55	
OSP - 30 (E)	13	17.5	14	V-6	3"BSP	160	148	123	105	76	59	
OSP - 30 (E)	13	17.5	15	V-6	3"BSP	171	159	132	113	81	63	
OSP - 30 (E)	15	20	16	V-6	3"BSP	182	170	141	120	86	67	
OSP - 30 (E)	15	20	17	V-6	3"BSP	194	180	150	128	92	71	
OSP - 30 (E)	18.5	25	18	V-6	3"BSP	205	191	158	135	97	76	
OSP - 30 (E)	18.5	25	19	V-6	3"BSP	217	201	167	143	103	80	
OSP - 30 (E)	18.5	25	20	V-6	3"BSP	228	212	176	150	108	84	
OSP - 30 (E)	18.5	25	21	V-6	3"BSP	239	223	185	158	113	88	
OSP - 30 (E)	22	30	22	V-6	3"BSP	251	233	194	165	119	92	
OSP - 30 (E)	22	30	23	V-6	3"BSP	262	244	202	173	124	97	
OSP - 30 (E)	22	30	24	V-6	3"BSP	274	254	211	180	130	101	
OSP - 30 (E)	22	30	25	V-6	3"BSP	285	265	220	188	135	105	
OSP - 30 (E)	22	30	26	V-6	3"BSP	296	276	229	195	140	109	
OSP - 30 (E)	26	35	27	V-6	3"BSP	308	286	238	203	146	113	
OSP - 30 (E)	26	35	28	V-6	3"BSP	319	297	246	210	151	118	
OSP - 30 (E)	26	35	29	V-6	3"BSP	331	307	255	218	157	122	
OSP - 30 (E)	26	35	30	V-6	3"BSP	342	318	264	225	162	126	
OSP - 30 (E)	30	40	31	V-6	3"BSP	353	329	273	233	167	130	
OSP - 30 (E)	30	40	32	V-6	3"BSP	365	339	282	240	173	134	
OSP - 30 (E)	30	40	33	V-6	3"BSP	376	350	290	248	178	139	
OSP - 30 (E)	30	40	34	V-6	3"BSP	388	360	299	255	184	143	
OSP - 30 (E)	30	40	35	V-6	3"BSP	399	371	308	263	189	147	
OSP - 30 (E) (8X6)	37	50	39	V-8	3"BSP	445	413	343	293	211	164	
OSP - 30 (E) (8X6)	37	50	43	V-8	3"BSP	490	456	378	323	232	181	
OSP - 30 (E) (8X6)	45	60	46	V-8	3"BSP	524	488	405	345	248	193	
OSP - 30 (E) (8X6)	45	60	49	V-8	3"BSP	559	519	431	368	265	206	
OSP - 30 (E) (8X6)	55	75	52	V-8	3"BSP	593	551	458	390	281	218	
OSP - 30 (E) (8X6)	55	75	54	V-8	3"BSP	616	572	475	405	292	227	

HEAD IN METERS

Technical Data

Submersible Pump OSP-30

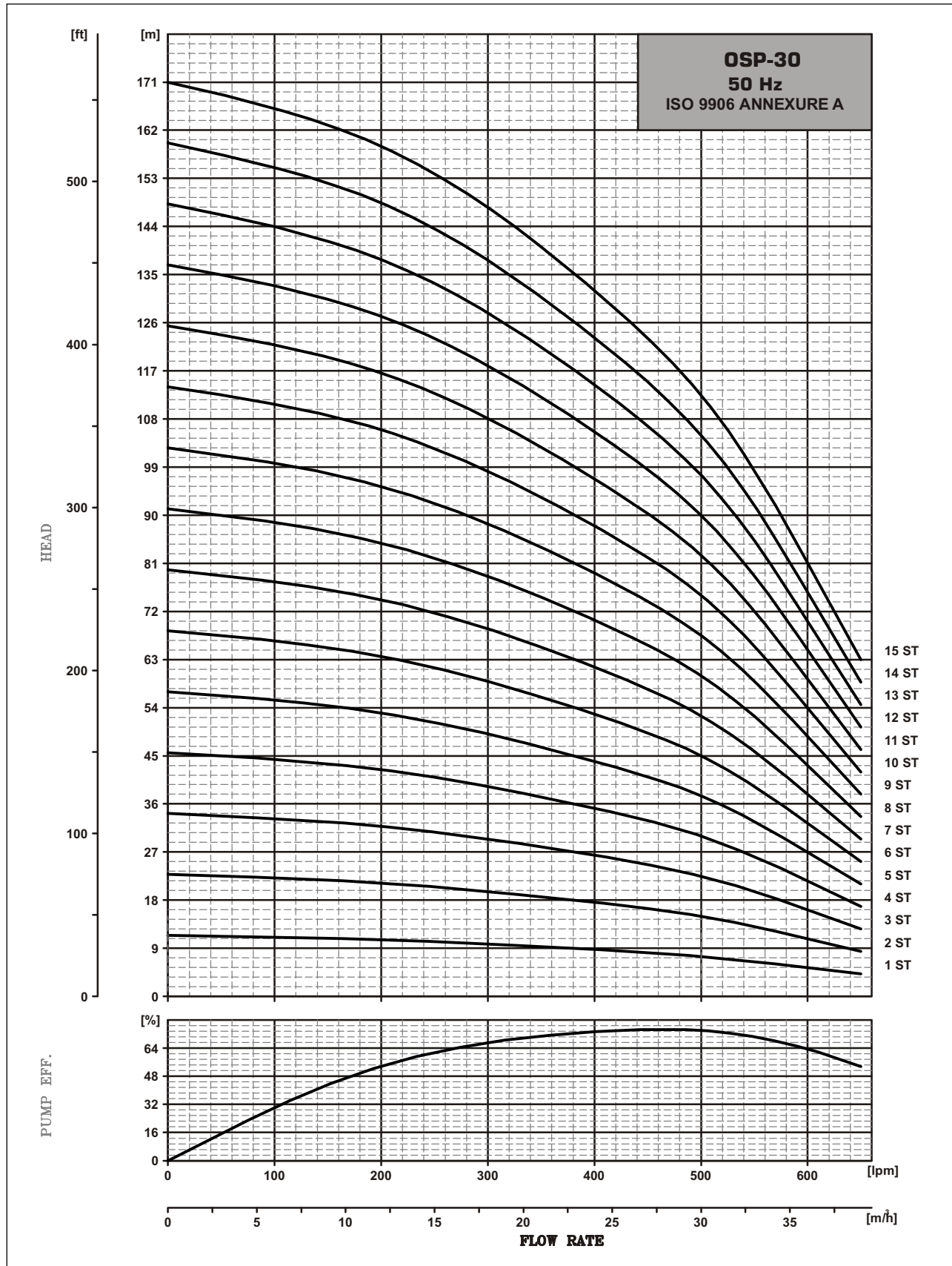
PUMP MODEL	STAGE	MOTOR		PUMP			MOTOR	
		JOINING MOTOR	POWER (KW)	Length C	E*	E**	Weight Kg	OD D
OSP-30	1	V-4	1.1	371	131		6.0	97
OSP - 30	2	V-4	2.2	467	131		8.0	97
OSP - 30	3	V-4	3	563	131		9.9	97
OSP - 30	4	V-4	3.7	659	131		11.8	97
OSP - 30	5	V-4	4.5	755	131		13.8	97
OSP - 30	4	V-6	3.7	659	143	145	11.9	144
OSP - 30	5	V-6	5.5	755	143	145	13.8	144
OSP - 30	6	V-6	5.5	851	143	145	15.7	144
OSP - 30	7	V-6	7.5	947	143	145	17.7	144
OSP - 30	8	V-6	7.5	1043	143	145	19.6	144
OSP - 30	9	V-6	9.3	1139	143	145	21.5	144
OSP - 30	10	V-6	9.3	1235	143	145	23.5	144
OSP - 30	11	V-6	9.3	1331	143	145	25.4	144
OSP - 30	12	V-6	11.0	1427	143	145	27.4	144
OSP - 30	13	V-6	11.0	1523	143	145	29.3	144
OSP - 30	14	V-6	13.0	1619	143	145	31.2	144
OSP - 30	15	V-6	13.0	1715	143	145	33.2	144
OSP - 30	16	V-6	15.0	1811	143	145	35.1	144
OSP - 30	17	V-6	15.0	1907	143	145	37.0	144
OSP - 30	18	V-6	18.5	2003	143	145	39.0	144
OSP - 30	19	V-6	18.5	2099	143	145	40.9	144
OSP - 30	20	V-6	18.5	2195	143	145	42.8	144
OSP - 30	21	V-6	18.5	2291	143	145	44.8	144
OSP - 30	22	V-6	22.0	2387	143	145	46.7	144
OSP - 30	23	V-6	22.0	2483	143	145	48.6	144
OSP - 30	24	V-6	22.0	2579	143	145	50.6	144
OSP - 30	25	V-6	22.0	2675	143	145	52.5	144
OSP - 30	26	V-6	22.0	2771	143	145	54.4	144
OSP - 30	27	V-6	26.0	2867	143	145	56.4	144
OSP - 30	28	V-6	26.0	2963	143	145	58.3	144
OSP - 30	29	V-6	26.0	3059	143	145	60.2	144
OSP - 30	30	V-6	26.0	3155	143	145	62.2	144
OSP - 30	31	V-6	30.0	3251	143	145	64.1	144
OSP - 30	32	V-6	30.0	3347	143	145	66.1	144
OSP - 30	33	V-6	30.0	3443	143	145	68.0	144
OSP - 30	34	V-6	30.0	3539	143	145	69.9	144
OSP - 30	35	V-6	30.0	3635	143	145	71.9	144
OSP - 30 (S)	39	V-6	37.0	4344	143	145	158	144
OSP - 30 (S)	43	V-6	37.0	4728	143	145	173	144
OSP - 30	31	V-8	30.0	3251	188	188	67.5	189
OSP - 30	32	V-8	30.0	3347	188	188	69.5	189
OSP - 30	33	V-8	30.0	3443	188	188	71.4	189
OSP - 30	34	V-8	30.0	3539	188	188	73.4	189
OSP - 30	35	V-8	30.0	3635	188	188	75.3	189
OSP - 30 (S)	39	V-8	37.0	4344	188	188	161	189
OSP - 30 (S)	43	V-8	37.0	4728	188	188	177	189
OSP - 30 (S)	46	V-8	45.0	5016	188	188	188	189
OSP - 30 (S)	49	V-8	45.0	5304	188	188	200	189
OSP - 30 (S)	52	V-8	55.0	5592	188	188	212	189
OSP - 30 (S)	54	V-8	55.0	5784	188	188	220	189



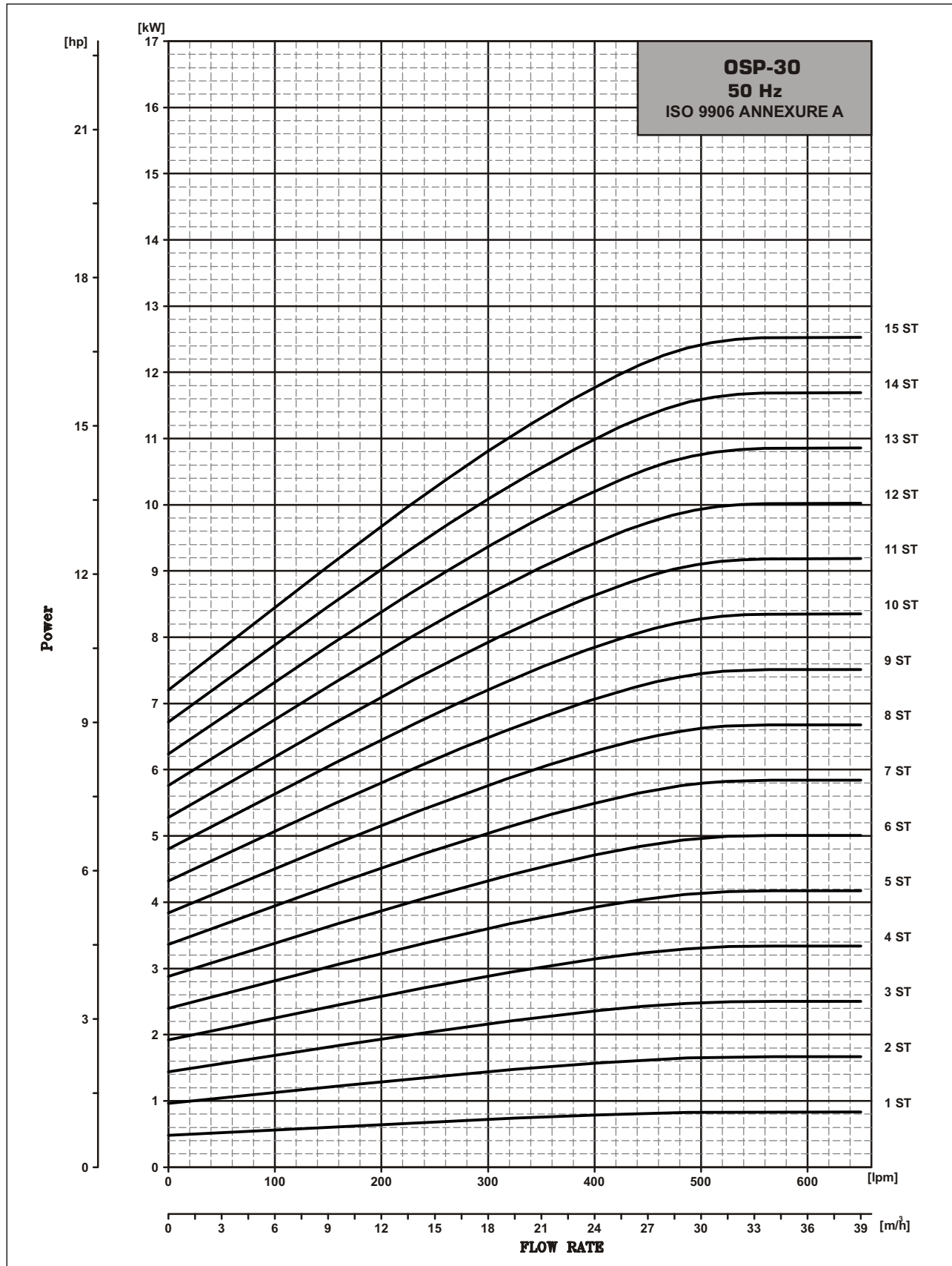
* MAX.DIA OF PUMP WITH ONE MOTOR CABLE
 ** MAX.DIA OF PUMP WITH TWO MOTOR CABLE

NOTE- (S) =MEANS PUMP WITH SLEEVE (EXTERNAL JACKET)

Performance Curves

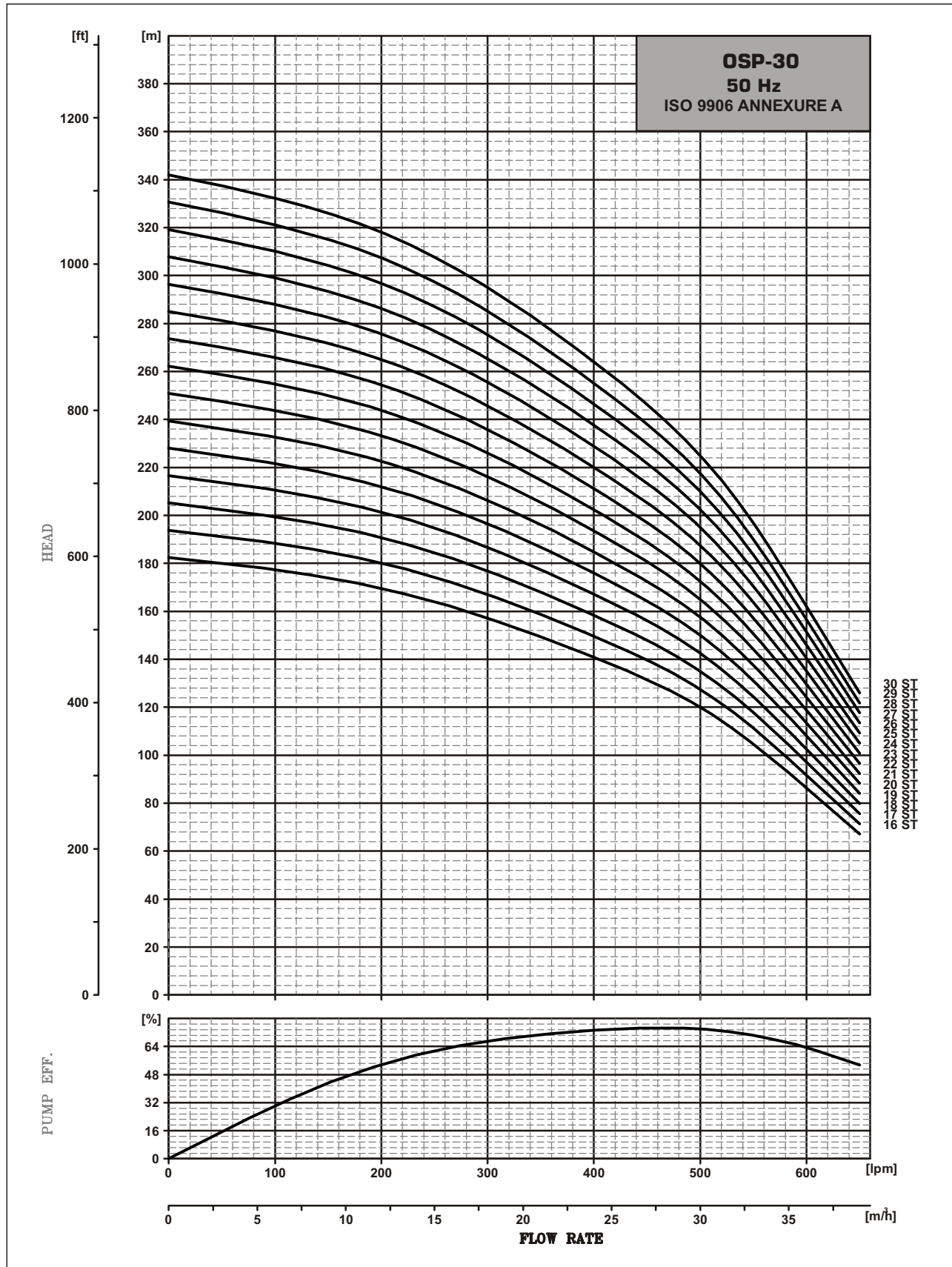


Power Curves

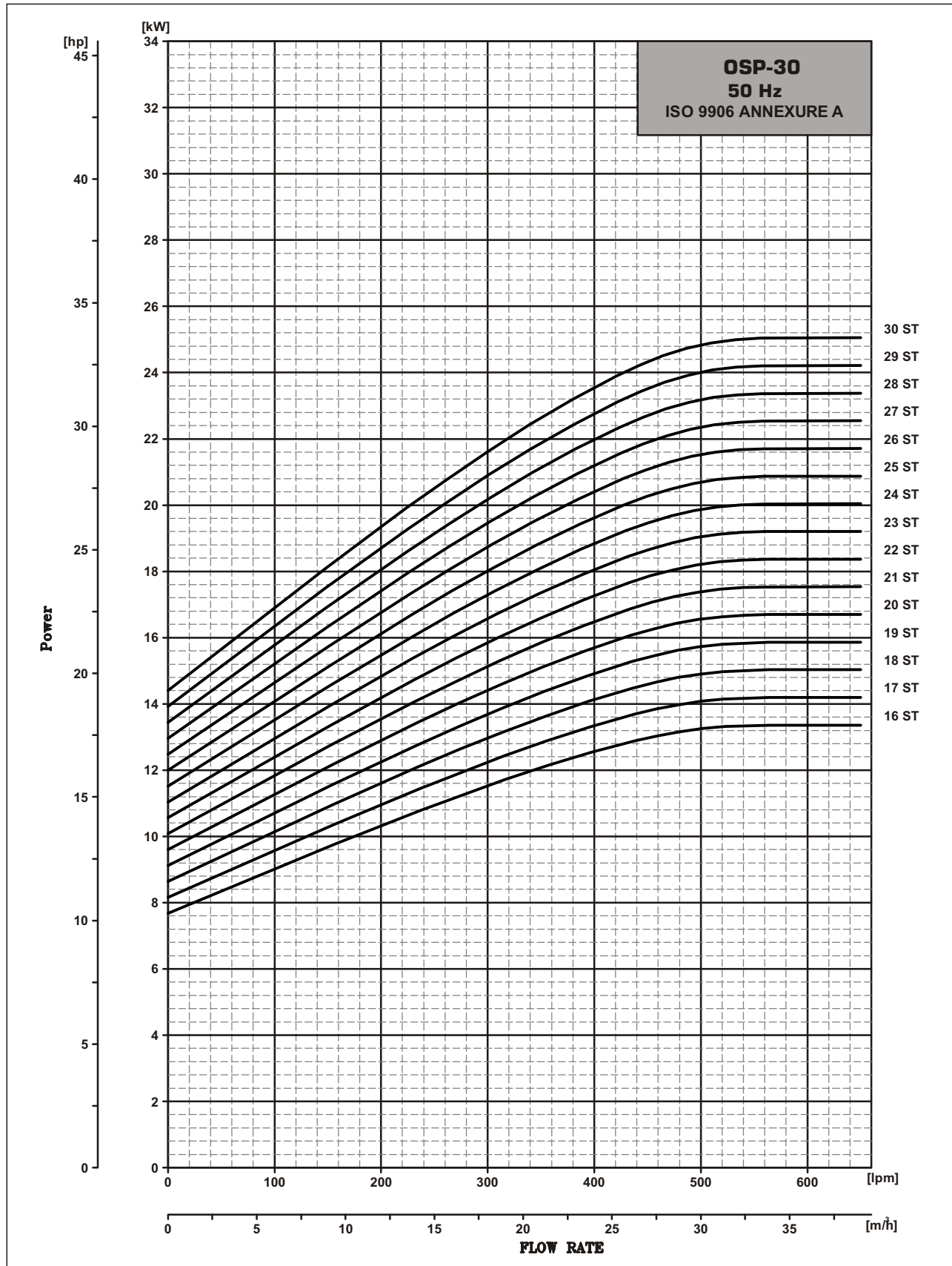




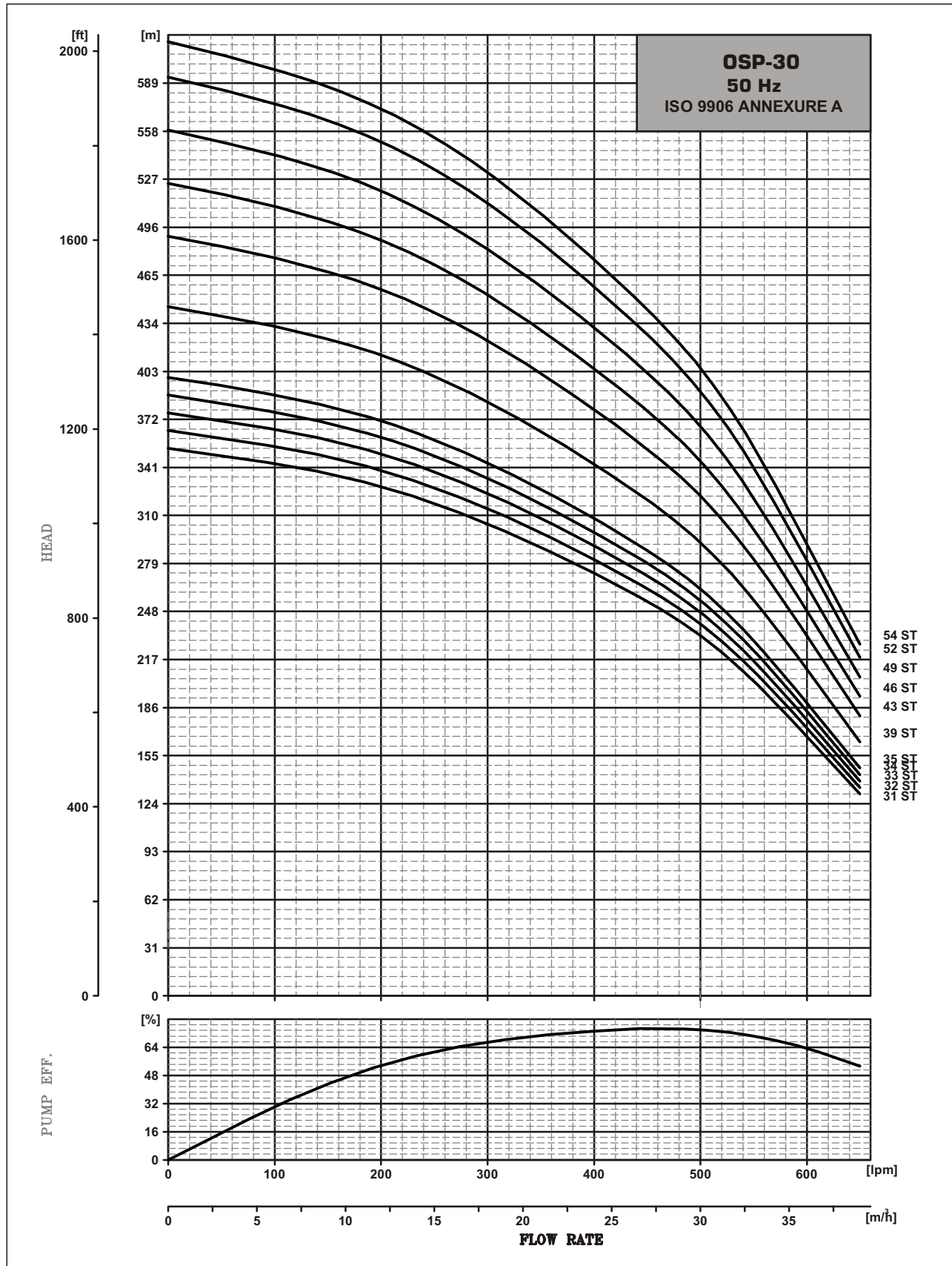
Performance Curves



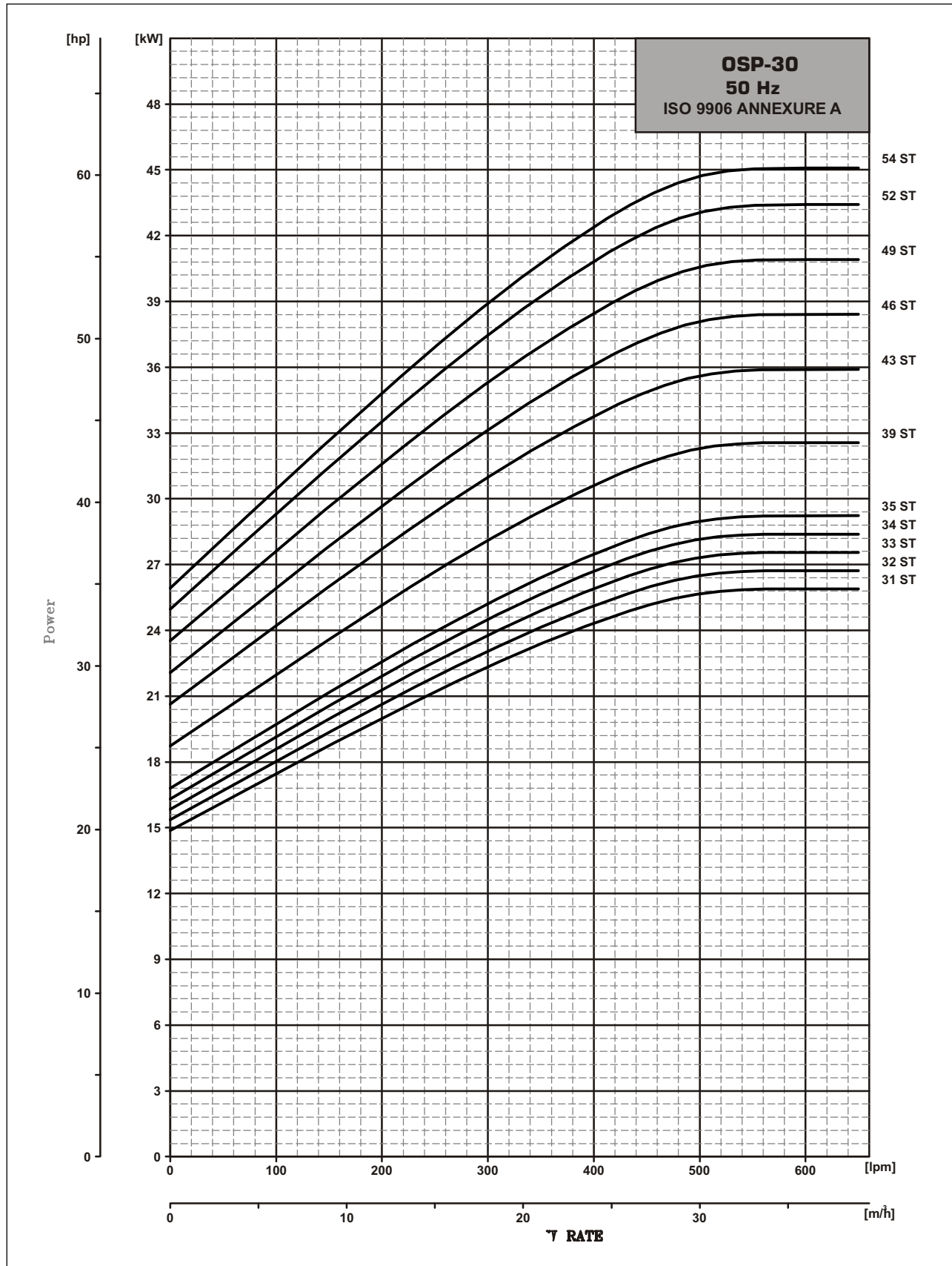
Power Curves



Performance Curves



Power Curves



Performance Table

Submersible Pump OSP-46

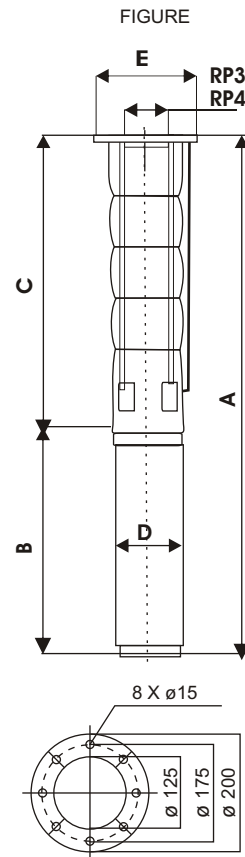
MODEL OSP-46	K.W.	H.P.	Stage	Motor joining	Out let Size	Discharge					
						M ³ /H	0	24	36	48	60
						(LPM)	0	400	600	800	1000
OSP - 46 (E) (4x6)	1.1	1.5	1-B	V-4	4"BSP	9.5	8	7	4	0.5	
OSP - 46 (E) (4x6)	2.2	3	1	V-4	4"BSP	13.4	11.6	10	8.1	5	
OSP - 46 (E) (4x6)	2.2	3	2-BB	V-4	4"BSP	19	16	14	9	1	
OSP - 46 (E) (4x6)	3	4	2	V-4	4"BSP	27	23	20	16	10	
OSP - 46 (E) (4x6)	3.7	5	3-C	V-4	4"BSP	36	30	26	19	10	
OSP - 46 (E)	5.5	7.5	3	V-6	4"BSP	40	35	30	24	15	
OSP - 46 (E)	5.5	7.5	4-C	V-6	4"BSP	49	42	36	27	15	
OSP - 46 (E)	7.5	10	4	V-6	4"BSP	54	46	40	32	20	
OSP - 46 (E)	7.5	10	5	V-6	4"BSP	67	58	50	41	25	
OSP - 46 (E)	9.3	12.5	6	V-6	4"BSP	80	70	60	49	30	
OSP - 46 (E)	11	15	7	V-6	4"BSP	94	81	70	57	35	
OSP - 46 (E)	11	15	8-C	V-6	4"BSP	103	88	76	60	35	
OSP - 46 (E)	13	17.5	8	V-6	4"BSP	107	93	80	65	0	
OSP - 46 (E)	13	17.5	9-C	V-6	4"BSP	116	100	86	68	40	
OSP - 46 (E)	15	20	9	V-6	4"BSP	121	104	90	73	45	
OSP - 46 (E)	15	20	10	V-6	4"BSP	134	116	100	81	50	
OSP - 46 (E)	18.5	25	11	V-6	4"BSP	147	128	110	89	55	
OSP - 46 (E)	18.5	25	12	V-6	4"BSP	161	139	120	97	60	
OSP - 46 (E)	22	30	13	V-6	4"BSP	174	151	130	105	65	
OSP - 46 (E)	22	30	14	V-6	4"BSP	188	162	140	113	70	
OSP - 46 (E)	22	30	15	V-6	4"BSP	201	174	150	122	75	
OSP - 46 (E)	26	35	16	V-6	4"BSP	214	186	160	130	80	
OSP - 46 (E)	26	35	17	V-6	4"BSP	228	197	170	138	85	
OSP - 46 (E)	30	40	18	V-6	4"BSP	241	209	180	146	90	
OSP - 46 (E)	30	40	19	V-6	4"BSP	255	220	190	154	95	
OSP - 46 (E)	30	40	20	V-6	4"BSP	268	232	200	162	100	
OSP - 46 (E)	37	50	21	V-6	4"BSP	281	244	210	170	105	
OSP - 46 (E)	37	50	22	V-6	4"BSP	295	255	220	178	110	
OSP - 46 (E)	37	50	23	V-6	4"BSP	308	267	230	186	115	
OSP - 46 (E)	37	50	24	V-6	4"BSP	322	278	240	194	120	
OSP - 46 (E)	45	60	26	V-6	4"BSP	348	302	260	211	130	
OSP - 46 (E)	45	60	27	V-6	4"BSP	362	313	270	219	135	
OSP - 46 (E)	45	60	28	V-6	4"BSP	375	325	280	227	140	
OSP - 46 (E)	45	60	30	V-6	4"BSP	402	348	300	243	150	
OSP - 46 (E)	55	75	33	V-6	4"BSP	442	383	330	267	165	
OSP - 46 (E)	55	75	35	V-6	4"BSP	469	406	350	284	175	
OSP - 46 (E)	55	75	37	V-6	4"BSP	496	429	370	300	185	

HEAD IN METERS

Technical Data

Submersible Pump OSP-46

PUMP MODEL	STAGE	MOTOR		PUMP			MOTOR	
		JOINING MOTOR	POWER (KW)	Length C	E*	E**	Weight Kg	OD D
OSP - 46	1-B	V-4	1.1	393	145		6	97
OSP - 46	1	V-4	2.2	393	145		6	97
OSP - 46	2-BB	V-4	2.2	506	145		8.3	97
OSP - 46	2	V-4	3.0	506	145		8.3	97
OSP - 46	3-C	V-4	3.7	619	145		10.6	97
OSP - 46	3-C	V-6	3.7	619	147	152	11.5	144
OSP - 46	3	V-6	5.5	619	147	152	11.5	144
OSP - 46	4-C	V-6	5.5	732	147	152	13.8	144
OSP - 46	4	V-6	7.5	732	147	152	13.8	144
OSP - 46	5	V-6	7.5	845	147	152	16.1	144
OSP - 46	6	V-6	9.3	958	147	152	18.4	144
OSP - 46	7	V-6	11.0	1071	147	152	20.7	144
OSP - 46	8-C	V-6	11.0	1184	147	152	20.7	144
OSP - 46	8	V-6	13.0	1184	147	152	23.0	144
OSP - 46	9-C	V-6	13.0	1297	147	152	25.4	144
OSP - 46	9	V-6	15.0	1297	147	152	25.4	144
OSP - 46	10	V-6	15.0	1410	147	152	27.7	144
OSP - 46	11	V-6	18.5	1523	147	152	30.0	144
OSP - 46	12	V-6	18.5	1636	147	152	32.3	144
OSP - 46	13	V-6	22.0	1749	147	152	34.6	144
OSP - 46	14	V-6	22.0	1862	147	152	37.0	144
OSP - 46	15	V-6	22.0	1975	147	152	39.3	144
OSP - 46	16	V-6	26.0	2088	147	152	41.6	144
OSP - 46	17	V-6	26.0	2201	147	152	43.9	144
OSP - 46	18	V-6	30.0	2314	147	152	46.2	144
OSP - 46	19	V-6	30.0	2427	147	152	48.6	144
OSP - 46	20	V-6	30.0	2540	147	152	50.9	144
OSP - 46	21	V-6	37.0	2653	147	152	53.2	144
OSP - 46	22	V-6	37.0	2766	147	152	55.5	144
OSP - 46	23	V-6	37.0	2879	147	152	57.8	144
OSP - 46	24	V-6	37.0	2992	147	152	60.2	144
OSP - 46	18	V-8	30.0	2314	188	188	49.5	189
OSP - 46	19	V-8	30.0	2427	188	188	51.8	189
OSP - 46	20	V-8	30.0	2540	188	188	54.2	189
OSP - 46	21	V-8	37.0	2653	188	188	56.5	189
OSP - 46	22	V-8	37.0	2766	188	188	58.8	189
OSP - 46	23	V-8	37.0	2879	188	188	61.1	189
OSP - 46	24	V-8	37.0	2992	188	188	63.4	189
OSP - 46	26	V-8	45.0	3544	188	188	120	189
OSP - 46	28	V-8	45.0	3770	188	188	129	189
OSP - 46	30	V-8	45.0	3996	188	188	138	189
OSP - 46	33	V-8	55.0	4335	188	188	150	189
OSP - 46	35	V-8	55.0	4561	188	188	159	189
OSP - 46	37	V-8	55.0	4787	188	188	168	189

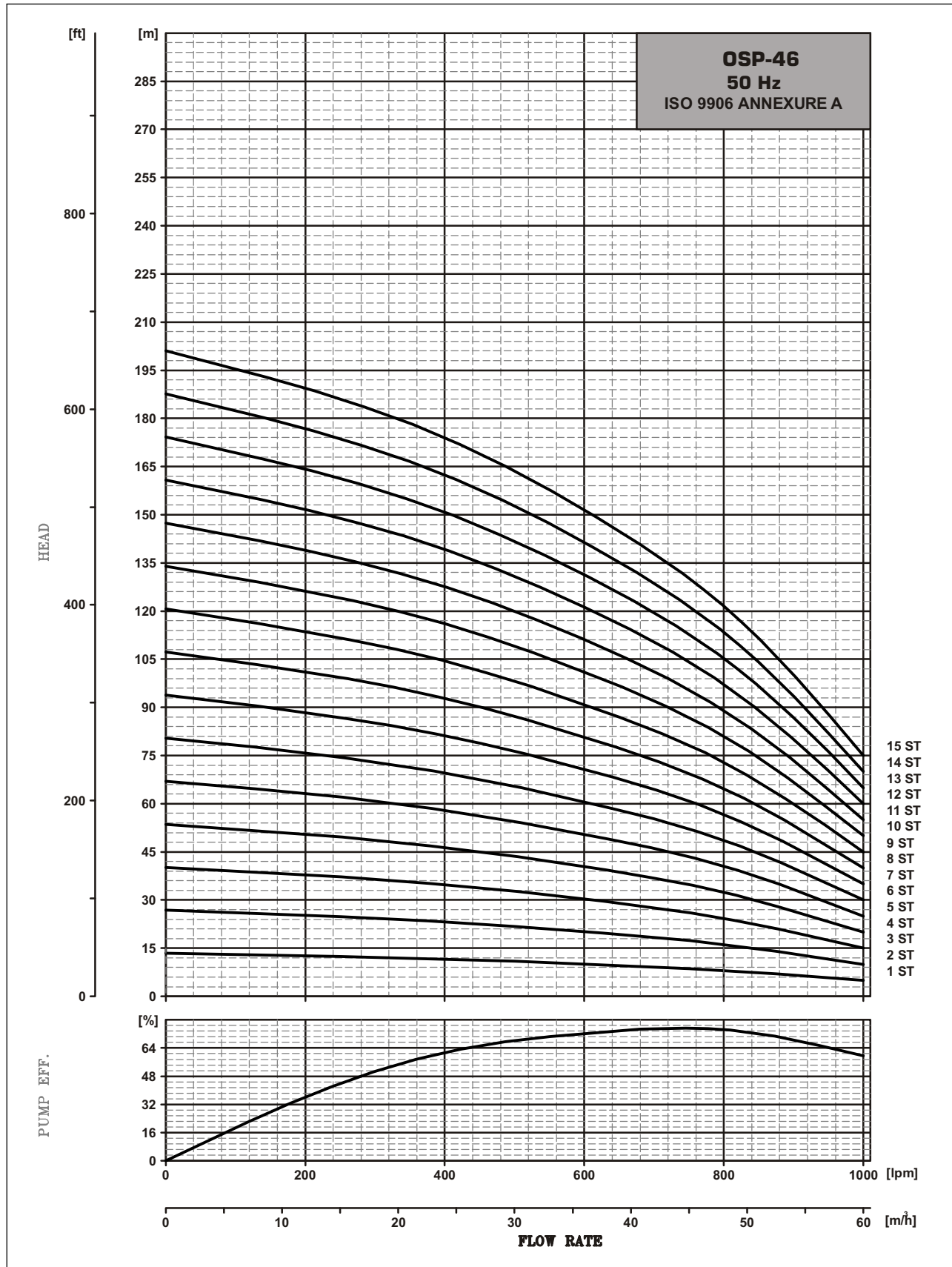


* MAX.DIA OF PUMP WITH ONE MOTOR CABLE

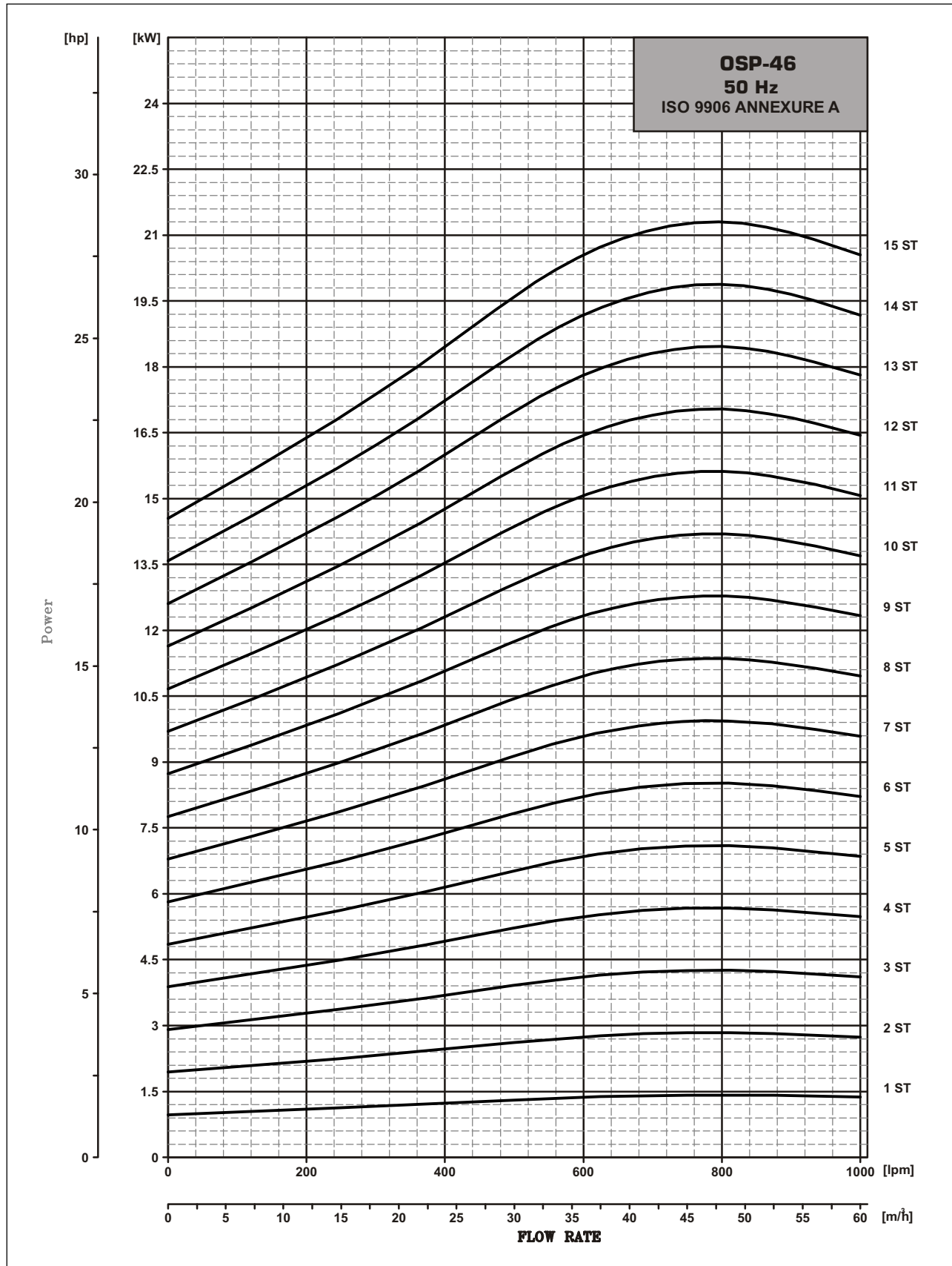
** MAX.DIA OF PUMP WITH TWO MOTOR CABLE

NOTE- (S) =MEANS PUMP WITH SLEEVE (EXTERNAL JACKET)

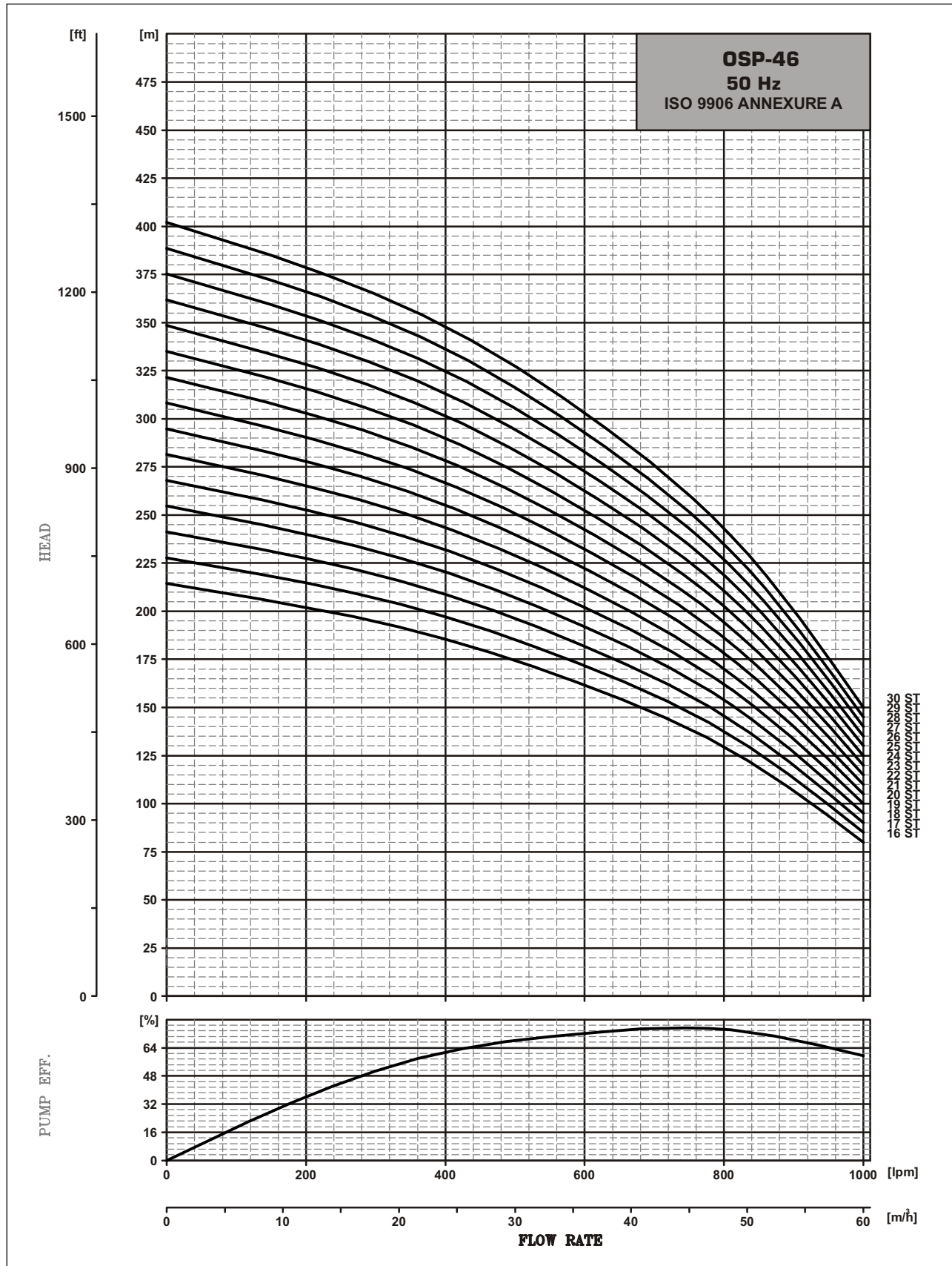
Performance Curves



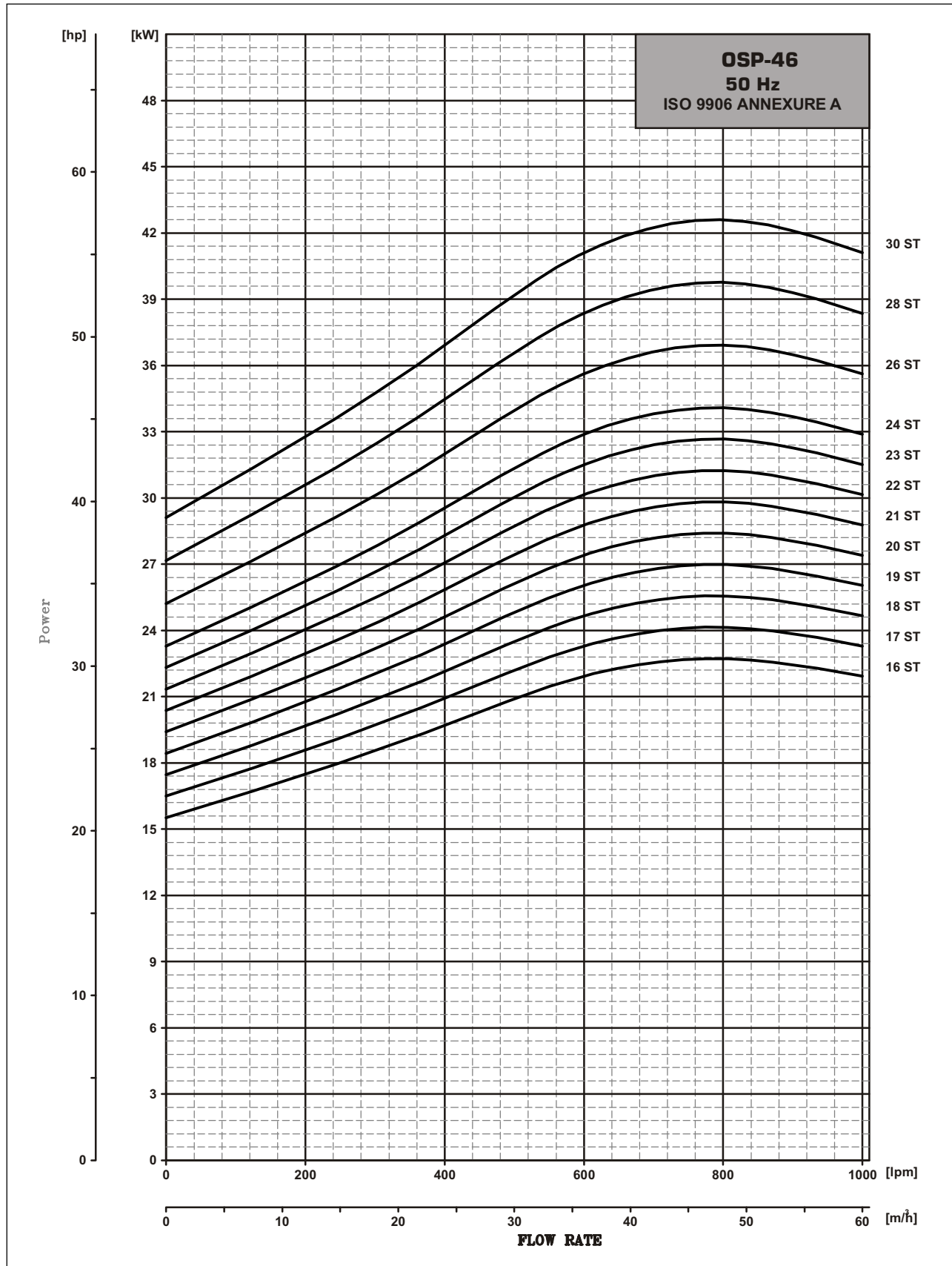
Power Curves



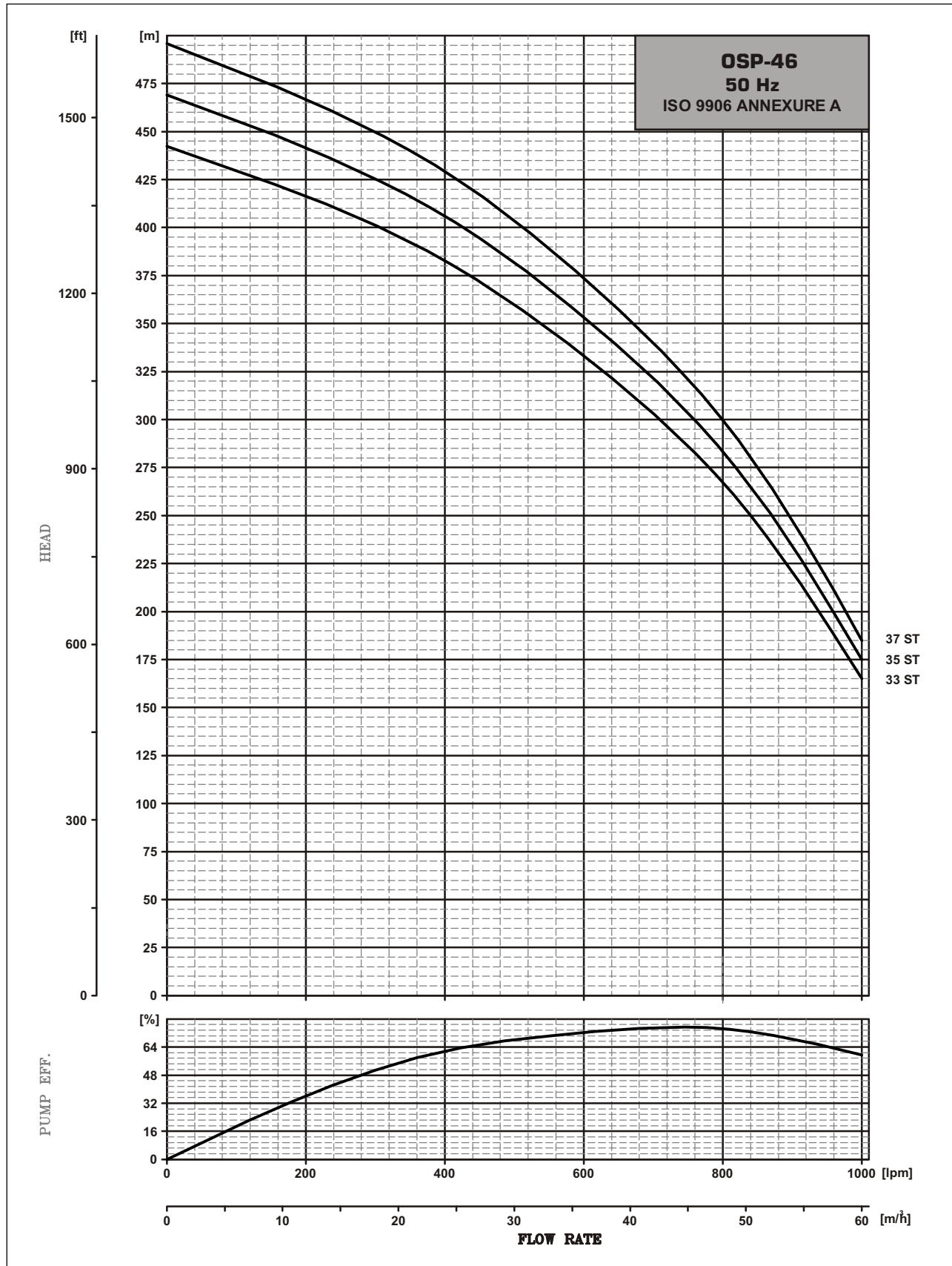
Performance Curves



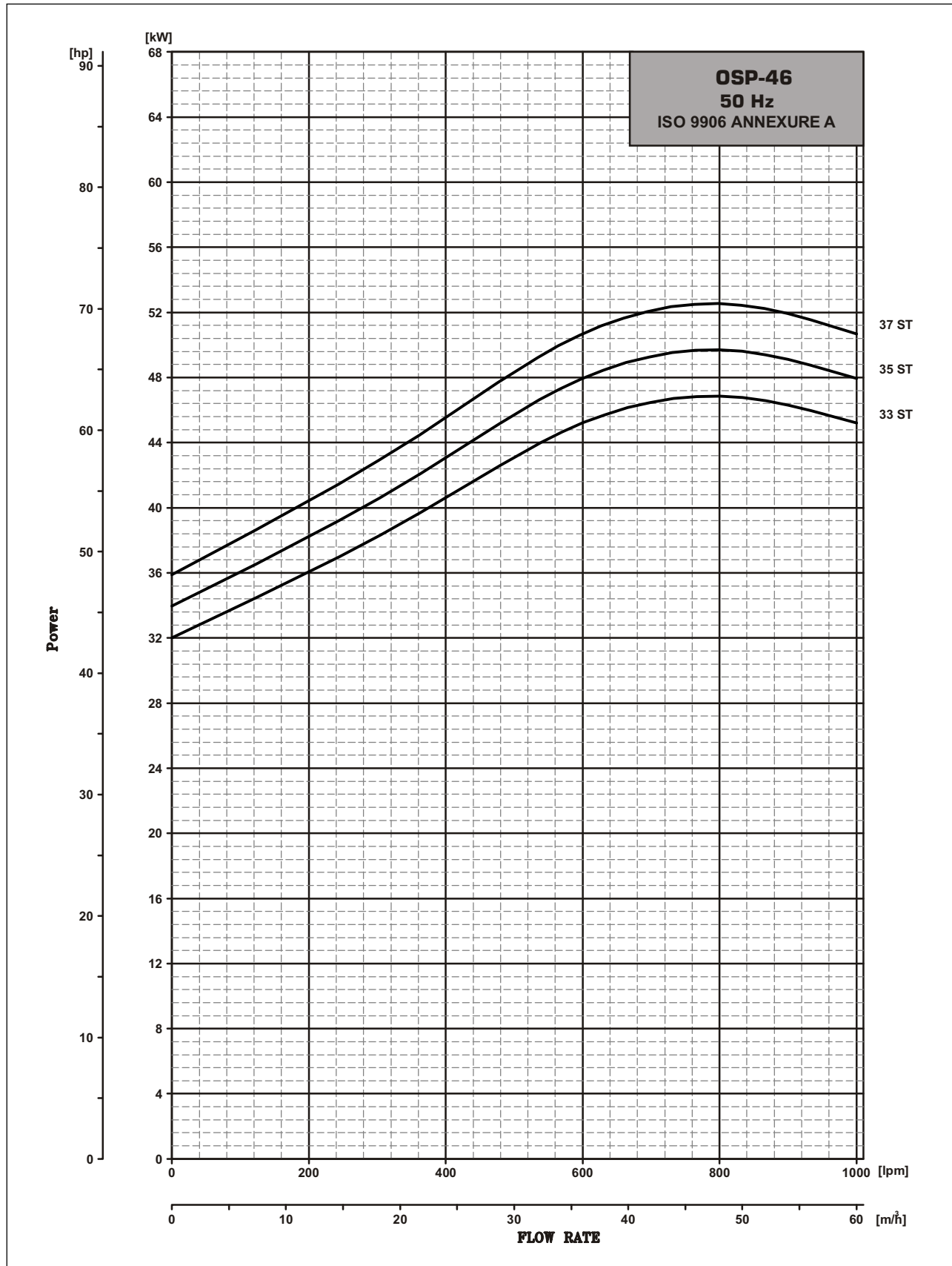
Power Curves



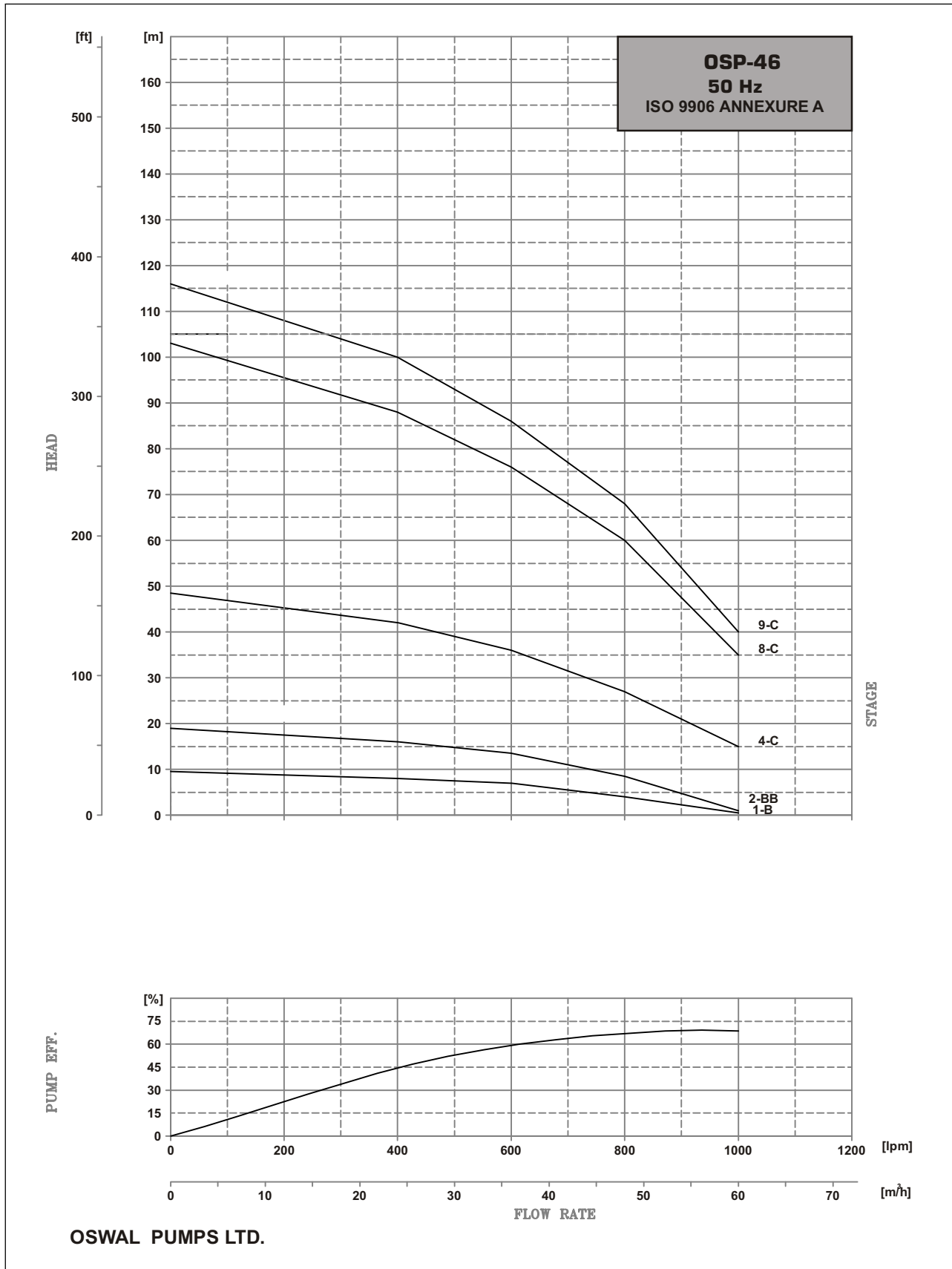
Performance Curves



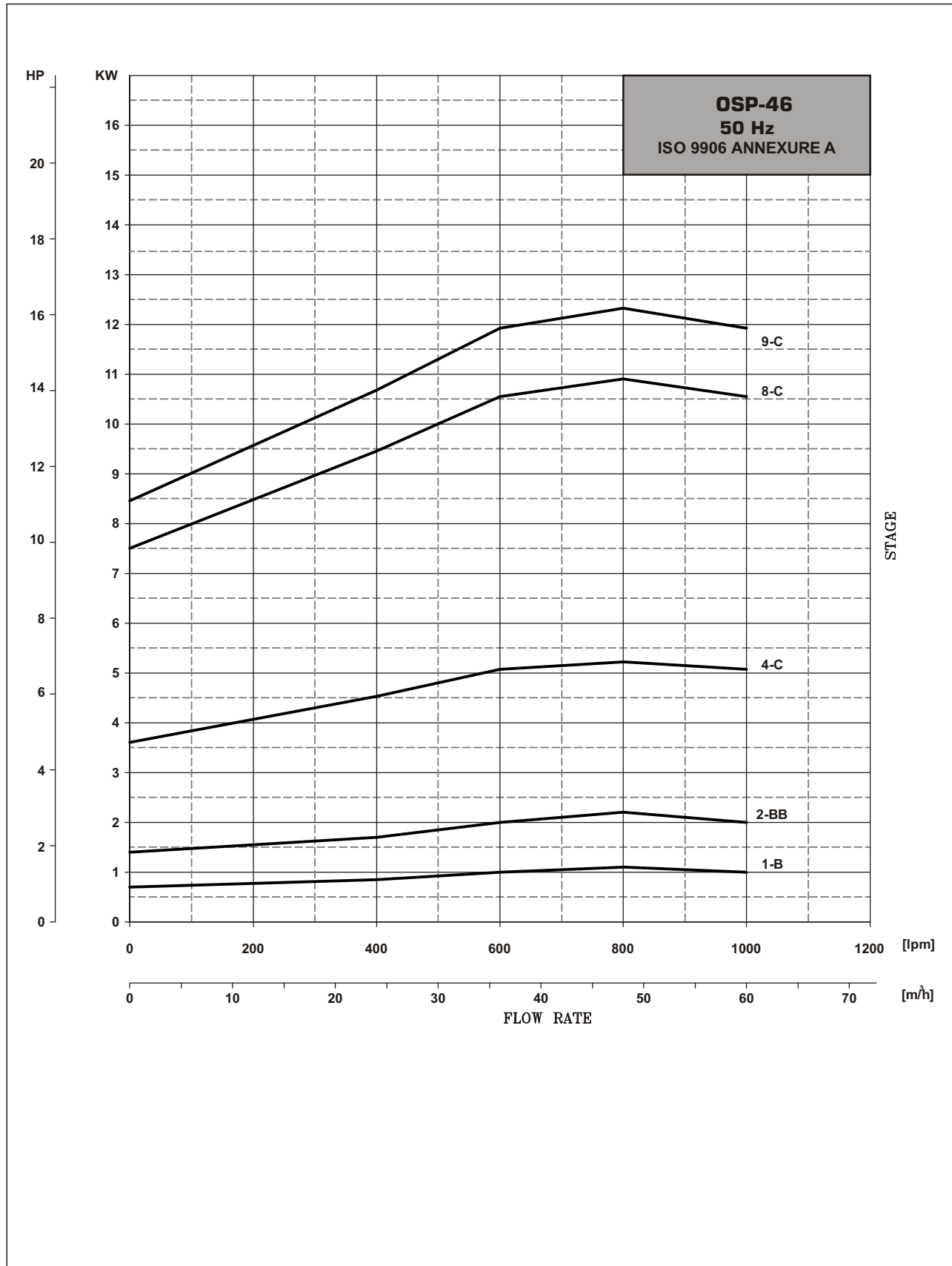
Power Curves



Performance Curves



Power Curves



Performance Table Submersible Pump OSP- 60

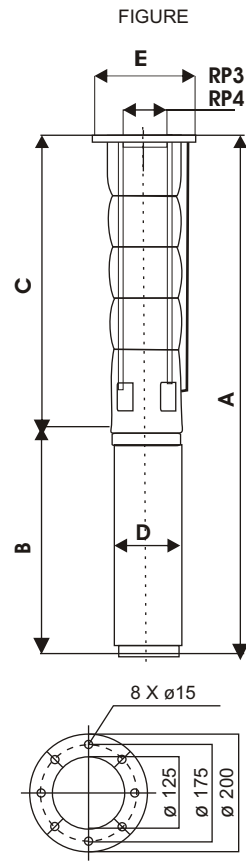
MODEL OSP-60	K.W.	H.P.	Stage	Motor joining	Out let Size	Discharge					
						M ³ /H (LPM)	0	24	36	48	60
OSP - 60 (E) (4x6)	1.5	2	1-A	V-4	4"BSP	11	9	7	6	4	0
OSP - 60 (E) (4x6)	2.2	3	1	V-4	4"BSP	14.2	12.8	11.0	9.4	7.7	5.5
OSP - 60 (E) (4x6)	3	4	2-B	V-4	4"BSP	21	20	16	14	10	6
OSP - 60 (E) (4x6)	3.7	5	2	V-4	4"BSP	28	26	22	19	15	11
OSP - 60 (E)	5.5	7.5	3	V-6	4"BSP	43	38	33	28	23	17
OSP - 60 (E)	7.5	10	4	V-6	4"BSP	57	51	44	38	31	22
OSP - 60 (E)	9.3	12.5	5	V-6	4"BSP	71	64	55	47	39	28
OSP - 60 (E)	9.3	12.5	6	V-6	4"BSP	85	77	66	56	46	33
OSP - 60 (E)	11	15	6	V-6	4"BSP	85	77	66	56	46	33
OSP - 60 (E)	13	17.5	7	V-6	4"BSP	99	90	77	66	54	39
OSP - 60 (E)	13	17.5	8-B	V-6	4"BSP	106	97	82	70	56	39
OSP - 60 (E)	15	20	8	V-6	4"BSP	114	102	88	75	62	44
OSP - 60 (E)	15	20	9-B	V-6	4"BSP	121	109	93	79	64	44
OSP - 60 (E)	18.5	25	9	V-6	4"BSP	128	115	99	85	69	50
OSP - 60 (E)	18.5	25	10	V-6	4"BSP	142	128	110	94	77	55
OSP - 60 (E)	22	30	11	V-6	4"BSP	156	141	121	103	85	61
OSP - 60 (E)	22	30	12	V-6	4"BSP	170	154	132	113	92	66
OSP - 60 (E)	26	35	13	V-6	4"BSP	185	166	143	122	100	72
OSP - 60 (E)	26	35	14	V-6	4"BSP	199	179	154	132	108	77
OSP - 60 (E)	26	35	15	V-6	4"BSP	213	192	165	141	116	83
OSP - 60 (E) (8X6)	30	40	16	V-8	4"BSP	227	205	176	150	123	88
OSP - 60 (E) (8X6)	30	40	17	V-8	4"BSP	241	218	187	160	131	94
OSP - 60 (E) (8X6)	37	50	18	V-8	4"BSP	256	230	198	169	139	99
OSP - 60 (E) (8X6)	37	50	19	V-8	4"BSP	270	243	209	179	146	105
OSP - 60 (E) (8X6)	37	50	20	V-8	4"BSP	284	256	220	188	154	110
OSP - 60 (E) (8X6)	37	50	21	V-8	4"BSP	298	269	231	197	162	116
OSP - 60 (E) (8X6)	45	60	22	V-8	4"BSP	312	282	242	207	169	121
OSP - 60 (E) (8X6)	45	60	23	V-8	4"BSP	327	294	253	216	177	127
OSP - 60 (E) (8X6)	45	60	24	V-8	4"BSP	341	307	264	226	185	132
OSP - 60 (E) (8X6)	55	75	26	V-8	4"BSP	369	333	286	244	200	143
OSP - 60 (E) (8X6)	55	75	28	V-8	4"BSP	398	358	308	263	216	154
OSP - 60 (E) (8X6)	55	75	30	V-8	4"BSP	426	384	330	282	231	165

HEAD IN METERS

Technical Data

Submersible Pump OSP- 60

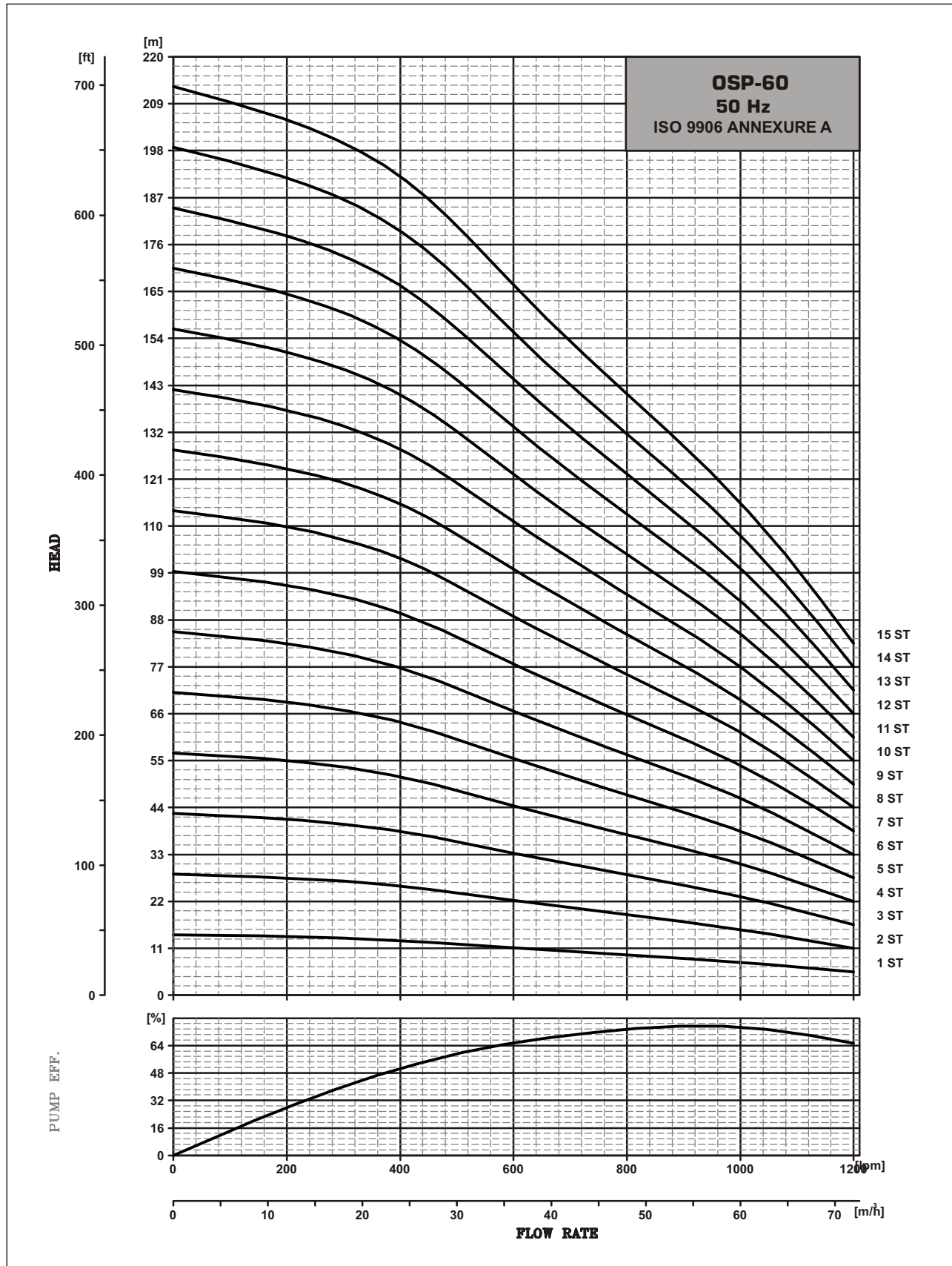
PUMP MODEL	STAGE	MOTOR		PUMP			MOTOR			
		JOINING MOTOR	POWER (KW)	Length C	E*	E**	Weight Kg	OD D	Length B	Weight Kg
OSP - 60	1	V-4	1.5	393	145		6	97	492	15.1
OSP - 60	1-A	V-4	2.2	393	145		6	97	572	19.2
OSP - 60	2-B	V-4	3.0	506	145		8.3	97	615	20.6
OSP - 60	2	V-4	3.7	506	145		8.3	97	665	23.1
OSP - 60	2	V-6	3.7	506	147	152	9.1	144	699	48
OSP - 60	3	V-6	5.5	619	147	152	11.4	144	699	48
OSP - 60	4	V-6	7.5	732	147	152	13.8	144	719	50
OSP - 60	5	V-6	9.3	845	147	152	16.1	144	749	53
OSP - 60	6	V-6	11.0	958	147	152	18.4	144	779	56
OSP - 60	7	V-6	13.0	1071	147	152	20.7	144	829	61
OSP - 60	8-B	V-6	13.0	1184	147	152	23.0	144	829	61
OSP - 60	8	V-6	15.0	1184	147	152	23.0	144	874	66
OSP - 60	9-B	V-6	15.0	1297	147	152	25.4	144	874	66
OSP - 60	9	V-6	18.5	1297	147	152	25.4	144	919	70
OSP - 60	10	V-6	18.5	1410	147	152	27.7	144	919	70
OSP - 60	11	V-6	22.0	1523	147	152	30.0	144	1009	79
OSP - 60	12	V-6	22.0	1636	147	152	32.3	144	1009	79
OSP - 60	13	V-6	26.0	1749	147	152	34.6	144	1114	90
OSP - 60	14	V-6	26.0	1862	147	152	37.0	144	1114	90
OSP - 60	15	V-6	26.0	1975	147	152	39.3	144	1114	90
OSP - 60	16	V-6	30.0	2088	147	152	41.6	144	1214	100
OSP - 60	17	V-6	30.0	2201	147	152	43.9	144	1214	100
OSP - 60	18	V-6	37.0	2314	147	152	46.2	144	1294	107
OSP - 60	19	V-6	37.0	2427	147	152	48.6	144	1294	107
OSP - 60	20	V-6	37.0	2540	147	152	50.9	144	1294	107
OSP - 60	21	V-6	37.0	2653	147	152	53.2	144	1294	107
OSP - 60	16	V-8	30.0	2088	188	188	44.9	189	1140	140
OSP - 60	17	V-8	30.0	2201	188	188	47.2	189	1140	140
OSP - 60	18	V-8	37.0	2314	188	188	49.5	189	1140	140
OSP - 60	19	V-8	37.0	2427	188	188	51.8	189	1140	140
OSP - 60	20	V-8	37.0	2540	188	188	54.2	189	1140	140
OSP - 60	21	V-8	37.0	2653	188	188	56.5	189	1140	140
OSP - 60	22	V-8	45.0	2766	188	188	58.7	189	1230	156
OSP - 60	24	V-8	45.0	2992	188	188	60.2	189	1230	156
OSP - 60	26	V-8	55.0	3544	188	188	120	189	1340	179
OSP - 60 (S)	28	V-8	55.0	3770	188	188	129	189	1340	179
OSP - 60 (S)	30	V-8	55.0	3996	188	188	138	189	1340	179



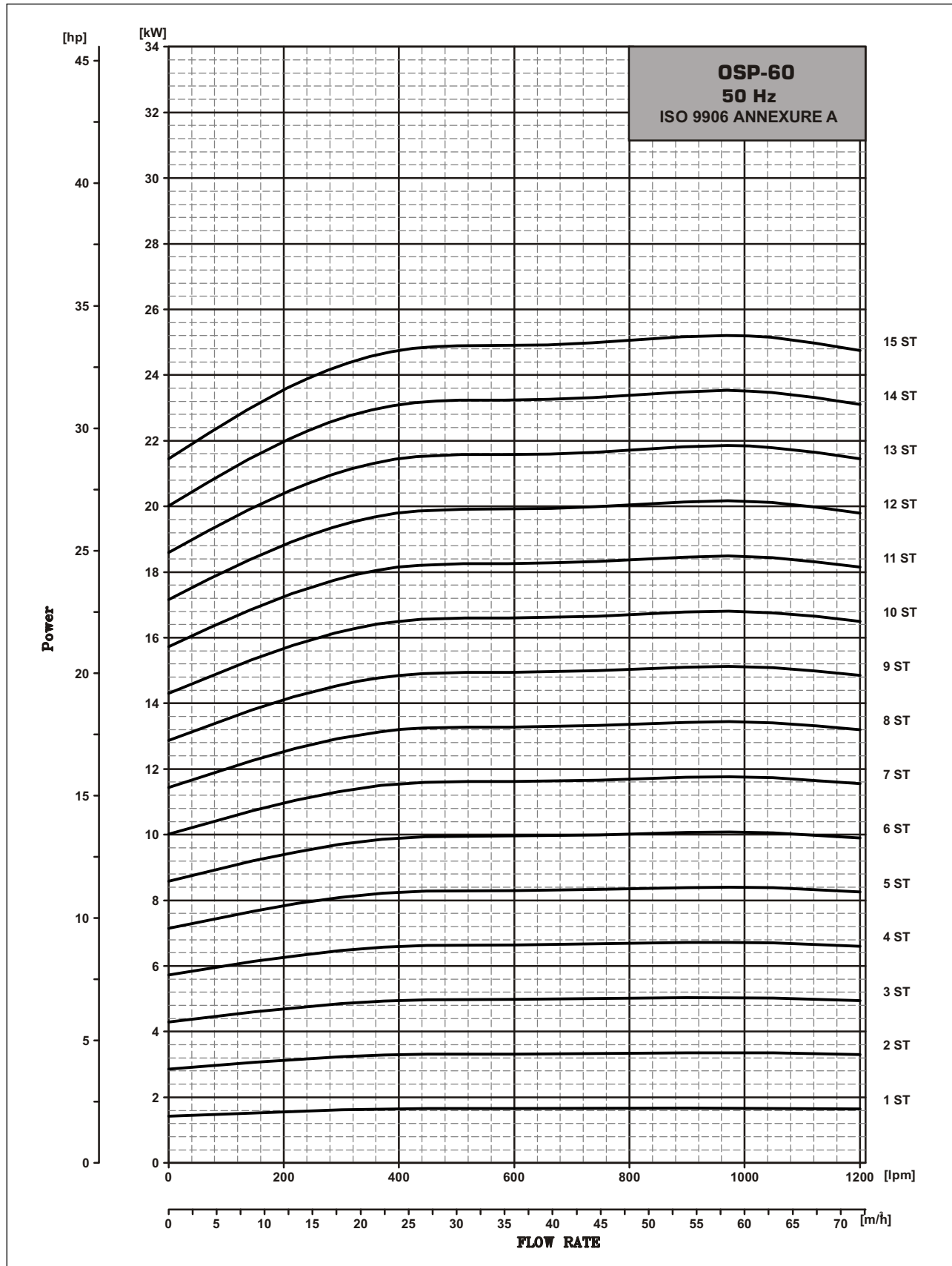
NOTE- (S) =MEANS PUMP WITH SLEEVE (EXTERNAL JACKET)

* MAX.DIA OF PUMP WITH ONE MOTOR CABLE
 ** MAX.DIA OF PUMP WITH TWO MOTOR CABLE

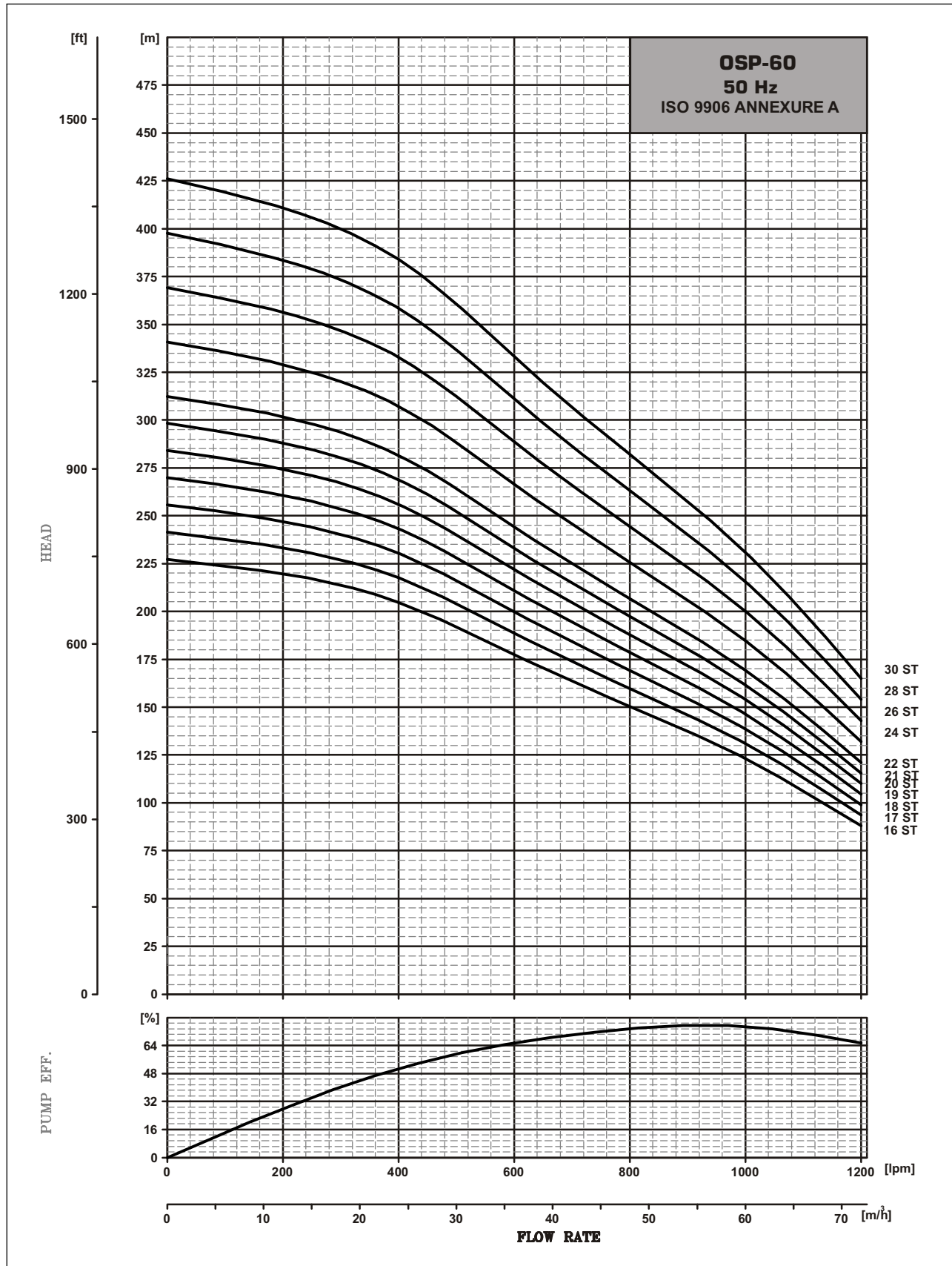
Performance Curves



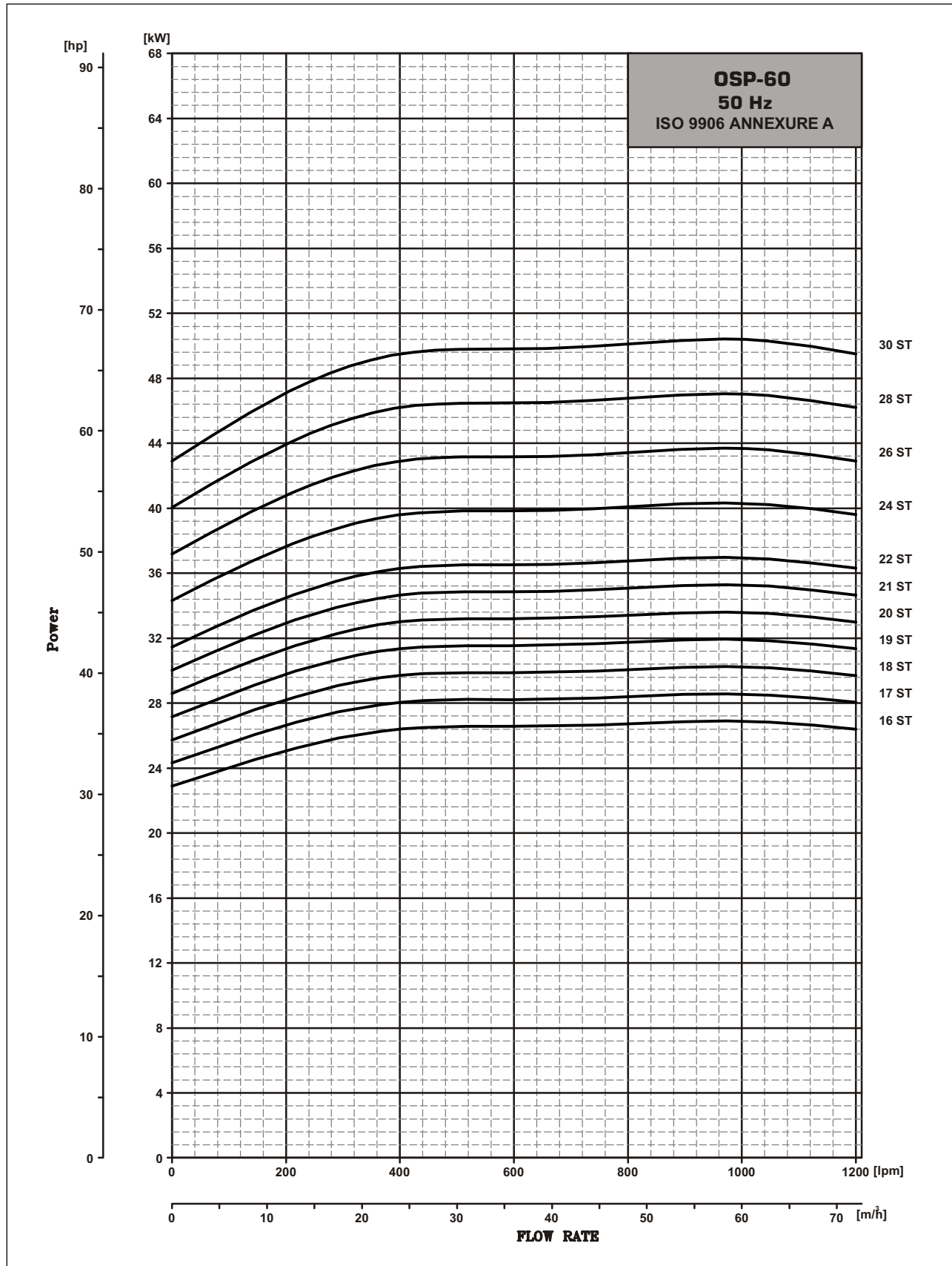
Power Curves



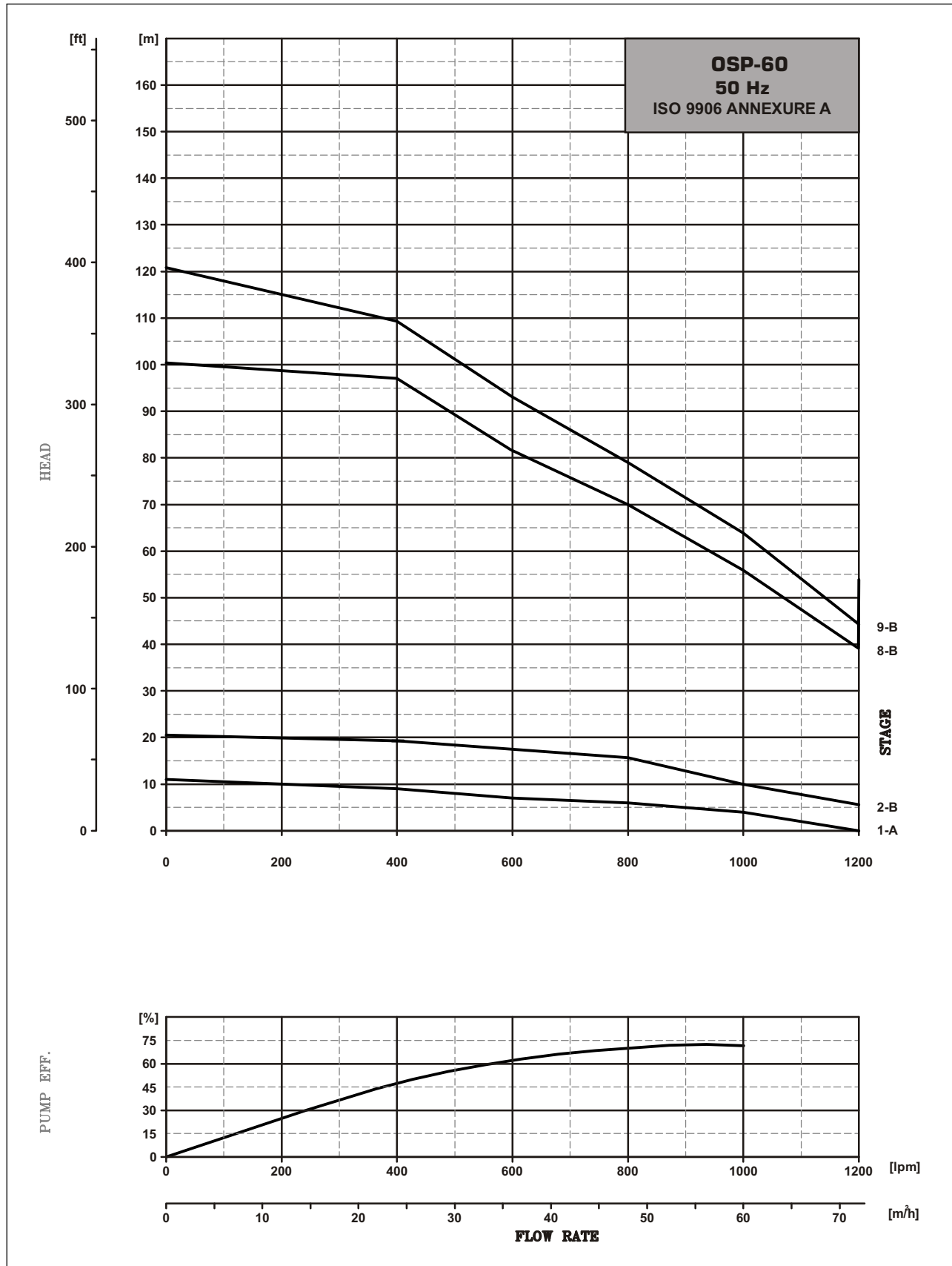
Performance Curves



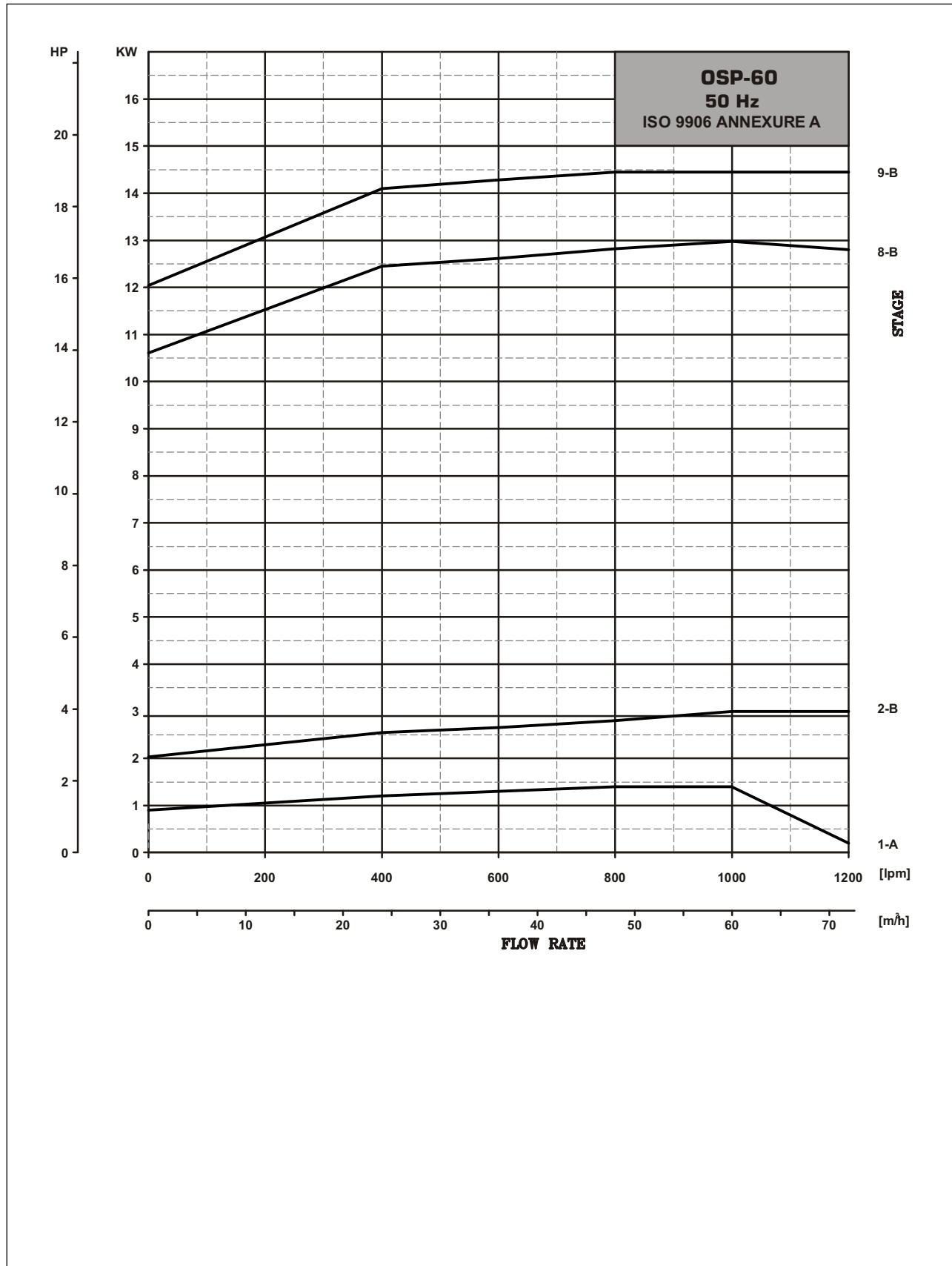
Power Curves



Performance Curves



Power Curves



8" Submersible Pump General Data

Construction

- Submersible motor and pumps for deep wells of 8" (200 mm)
- All sizes of pumps according to the NEMA standard
- OSP series pumps are completely made out of AISI 304 stainless steel material .
- Mixed flow Model : OSP-77 , OSP-95

Application

- For water supply
- For irrigation
- For civil and industrial applications.
- For fire fighting application

General Data

- Head rang up to 346 meters
- Flow range up to 120 M³

Operating condition

- Maximum liquid temperature : 45°C
- Maximum quantity of sand 50 gm / m³
- Minimum suction head required : 1.5 meter.
- Max. start per hour 30 at regular intervals.
- Direction of rotation : clockwise as seen from the pump coupling side.

Special construction on request

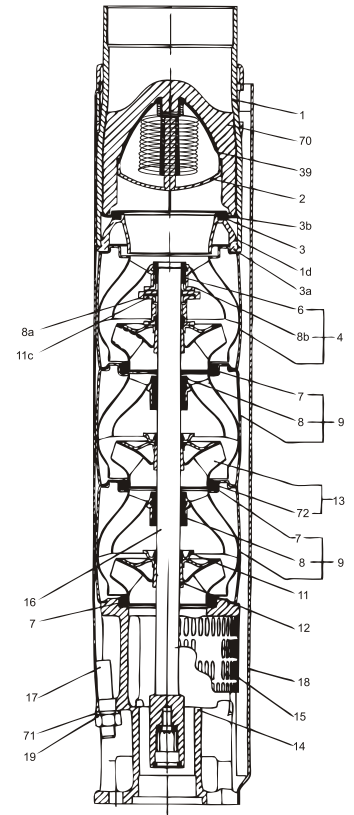
Also available in NPT connection

Material of Construction

MATERIAL SPECIFICATION OSP - 77/95

S.No.	Components	Material	Standard
1	Valve Casing	Stainless Steel	304
2	O-Ring	NBR	
3	Valve Cup	Stainless Steel	304
4	Valve Seat	Stainless Steel	304
5	Lower Valve Seat Strainer	Stainless Steel	304
6	Upper Valve Seat Strainer	Stainless Steel	304
7	Top Chamber	Stainless Steel	304
8	Upper Bearing	Stainless Steel NBR	304
9	Neck Ring	NBR / S.S - 304 Ring	
10	Bearing	NBR	
11	Washer for Stop Ring	Carbon/graphite Hy22 in PTFE mass	304
12	Stop Ring	Stainless Steel	
13	Chamber	Stainless Steel	
14	Split Cone Nut	Stainless Steel	304
15	Nut for Stop Ring	Stainless Steel	304
16	Split Cone	Stainless Steel	304
17	Impeller	Stainless Steel	304
18	Suction Interconnector	Stainless Steel	304
19	Strainer	Stainless Steel	304
20	Shaft Complete	Stainless Steel	431
21	Strap	Stainless Steel	304
22	Cable Guard	Stainless Steel	304
23	Nut for Strap	Stainless Steel	304
24	Spring for Valve Cup	Stainless Steel	304
25	Valve Guide	Stainless Steel	304
26	Washer	Stainless Steel	304
27	Wear Ring	Stainless Steel	304

Sectional View



Performance Table

Submersible Pump OSP- 77

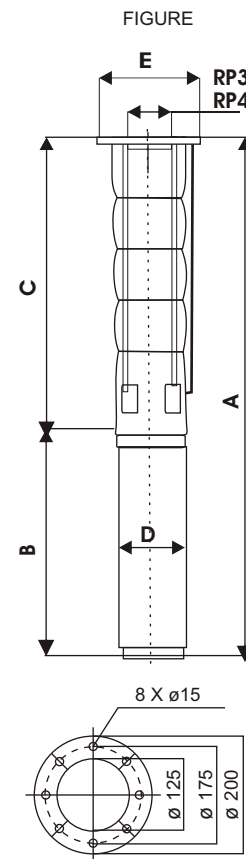
MODEL OSP-77	K.W.	H.P.	Stage	Motor joining	Out let Size	Discharge					
						M ³ /H (LPM)	0	48	60	72	84
OSP - 77 (E) (6x8)	5.5	7.5	1	V-6	5"BSP	20.0	15.9	14.4	12.8	10.8	7.8
OSP - 77 (E) (6x8)	5.5	7.5	2-B	V-6	5"BSP	33	29	25	19	17	15
OSP - 77 (E) (6x8)	7.5	10	2	V-6	5"BSP	40	32	29	26	22	16
OSP - 77 (E) (6x8)	9.3	12.5	3-B	V-6	5"BSP	53	41	37	32	26	16
OSP - 77 (E) (6x8)	11	15	3	V-6	5"BSP	60	48	43	38	32	23
OSP - 77 (E) (6x8)	13	17.5	4-B	V-6	5"BSP	73	57	51	44	36	23
OSP - 77 (E) (6x8)	15	20	4	V-6	5"BSP	80	64	58	51	43	31
OSP - 77 (E) (6x8)	18.5	25	5	V-6	5"BSP	100	80	72	64	54	39
OSP - 77 (E) (6x8)	22	30	6	V-6	5"BSP	120	95	86	77	65	47
OSP - 77 (E) (6x8)	26	35	7	V-6	5"BSP	140	111	101	90	76	55
OSP - 77 (E) (6x8)	26	35	8-B	V-6	5"BSP	153	120	109	96	80	55
OSP - 77 (E)	30	40	8	V-8	5"BSP	160	127	115	102	86	62
OSP - 77 (E)	30	40	9	V-8	5"BSP	180	143	130	115	97	70
OSP - 77 (E)	37	50	10	V-8	5"BSP	200	159	144	128	108	78
OSP - 77 (E)	37	50	11	V-8	5"BSP	220	175	158	141	119	86
OSP - 77 (E)	45	60	12	V-8	5"BSP	240	191	173	154	130	94
OSP - 77 (E)	55	75	13	V-8	5"BSP	260	207	187	166	140	101
OSP - 77 (E)	55	75	14	V-8	5"BSP	280	223	202	179	151	109
OSP - 77 (E)	55	75	15	V-8	5"BSP	300	239	216	192	162	117
OSP - 77 (E)	67	90	16	V-8	5"BSP	320	254	230	205	173	125
OSP - 77 (E)	67	90	17	V-8	5"BSP	340	270	245	218	184	133
OSP - 77 (E)	67	90	18	V-8	5"BSP	360	286	259	230	194	140
OSP - 77 (E)	75	100	19	V-8	5"BSP	380	302	274	243	205	148
OSP - 77 (E)	75	100	20	V-8	5"BSP	400	318	288	256	216	156
OSP - 77 (E)	75	100	21	V-8	5"BSP	420	334	302	269	227	164
OSP - 77 (E)	93	125	22	V-8	5"BSP	440	350	317	282	238	172

HEAD IN METERS

Technical Data

Submersible Pump OSP- 77

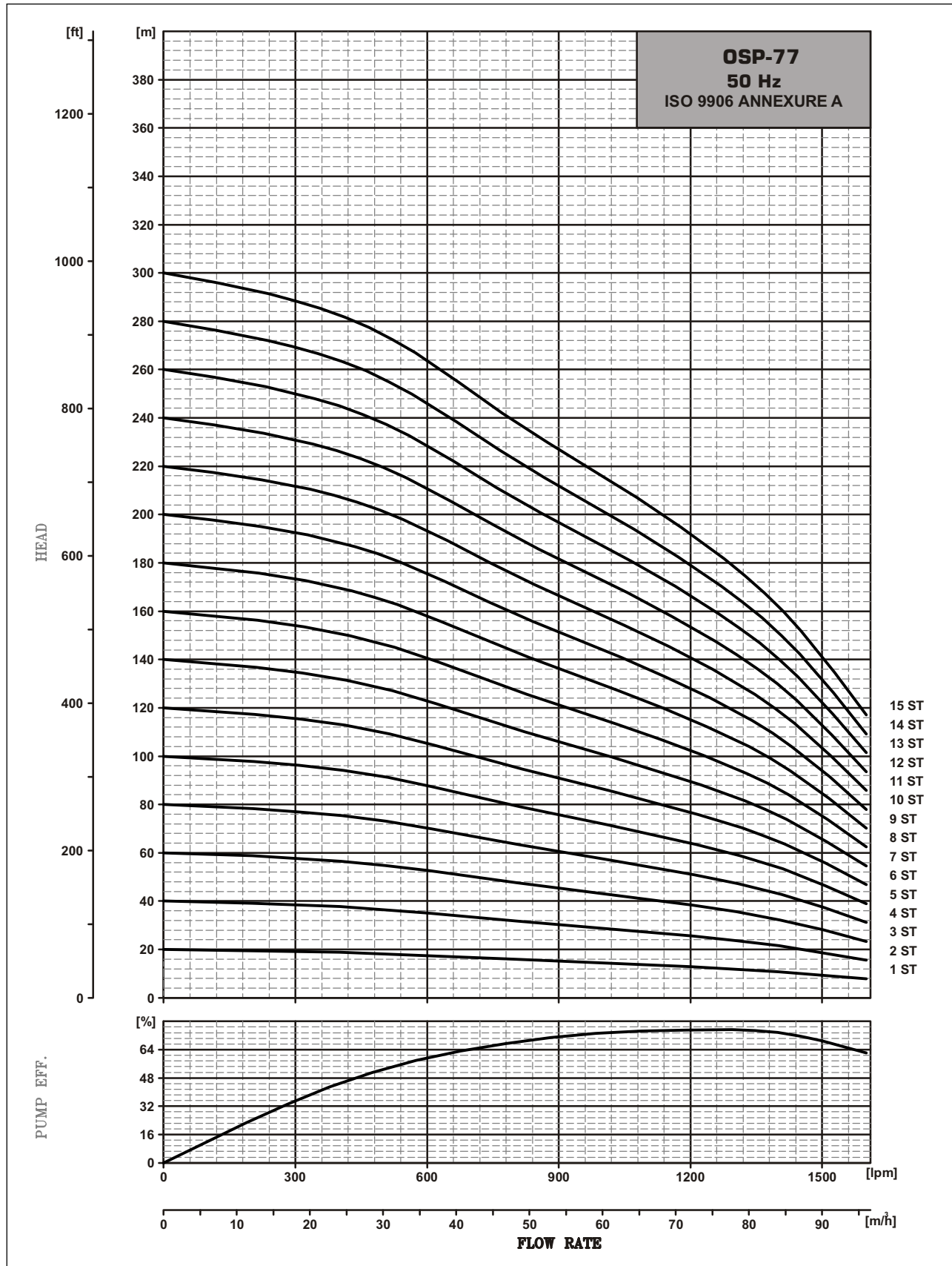
PUMP MODEL	STAGE	MOTOR		PUMP			MOTOR	
		JOINING MOTOR	POWER (KW)	Length			Weight Kg	OD
				C	E*	E**		D
OSP - 77	1	V-6	5.5	625	200	200	20.0	144
OSP - 77	2-B	V-6	5.5	753	200	200	23.8	144
OSP - 77	2	V-6	7.5	753	200	200	23.8	144
OSP - 77	3-B	V-6	9.3	881	200	200	27.5	144
OSP - 77	3	V-6	11.0	881	200	200	27.5	144
OSP - 77	4-B	V-6	13.0	1009	200	200	31.3	144
OSP - 77	4	V-6	15.0	1009	200	200	31.3	144
OSP - 77	5	V-6	18.5	1137	200	200	35.1	144
OSP - 77	6	V-6	22.0	1265	200	200	38.8	144
OSP - 77	7	V-6	26.0	1393	200	200	42.6	144
OSP - 77	8-B	V-6	26.0	1521	200	200	46.4	144
OSP - 77	8	V-6	30.0	1521	200	200	46.4	144
OSP - 77	9	V-6	30.0	1649	200	200	50.2	144
OSP - 77	10	V-6	37.0	1777	200	200	53.9	144
OSP - 77	11	V-6	37.0	1905	200	200	57.7	144
OSP - 77	8	V-8	30.0	1536	200	200	48.5	189
OSP - 77	9	V-8	30.0	1664	200	200	52.2	189
OSP - 77	10	V-8	37.0	1792	205	205	56.0	189
OSP - 77	11	V-8	37.0	1920	205	205	59.8	189
OSP - 77	12	V-8	45.0	2048	205	205	63.5	189
OSP - 77	13	V-8	55.0	2176	205	205	67.3	189
OSP - 77	14	V-8	55.0	2304	205	205	71.1	189
OSP - 77	15	V-8	55.0	2432	205	205	74.9	189
OSP - 77	16	V-8	67.0	2560	205	205	78.6	189
OSP - 77	17	V-8	67.0	2688	205	205	82.4	189
OSP - 77	18	V-8	67.0	2816	205	205	86.2	189
OSP - 77	19	V-8	75.0	2944	205	205	89.9	189
OSP - 77	20	V-8	75.0	3072	205	205	93.7	189
OSP - 77	21	V-8	75.0	3200	205	205	97.5	189
OSP - 77	22	V-8	93.0	3328	205	205	101.2	189



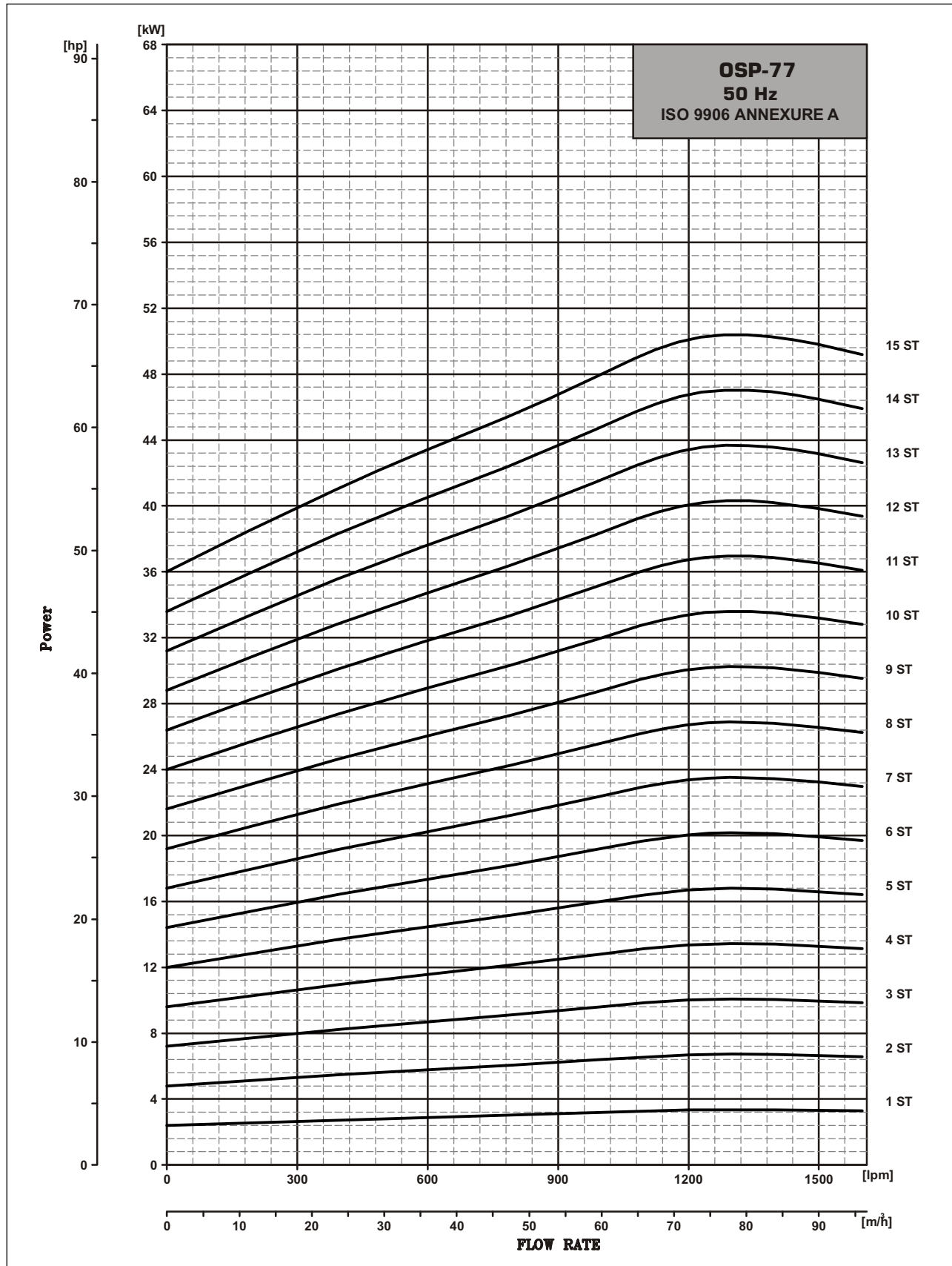
* MAX.DIA OF PUMP WITH ONE MOTOR CABLE

** MAX.DIA OF PUMP WITH TWO MOTOR CABLE

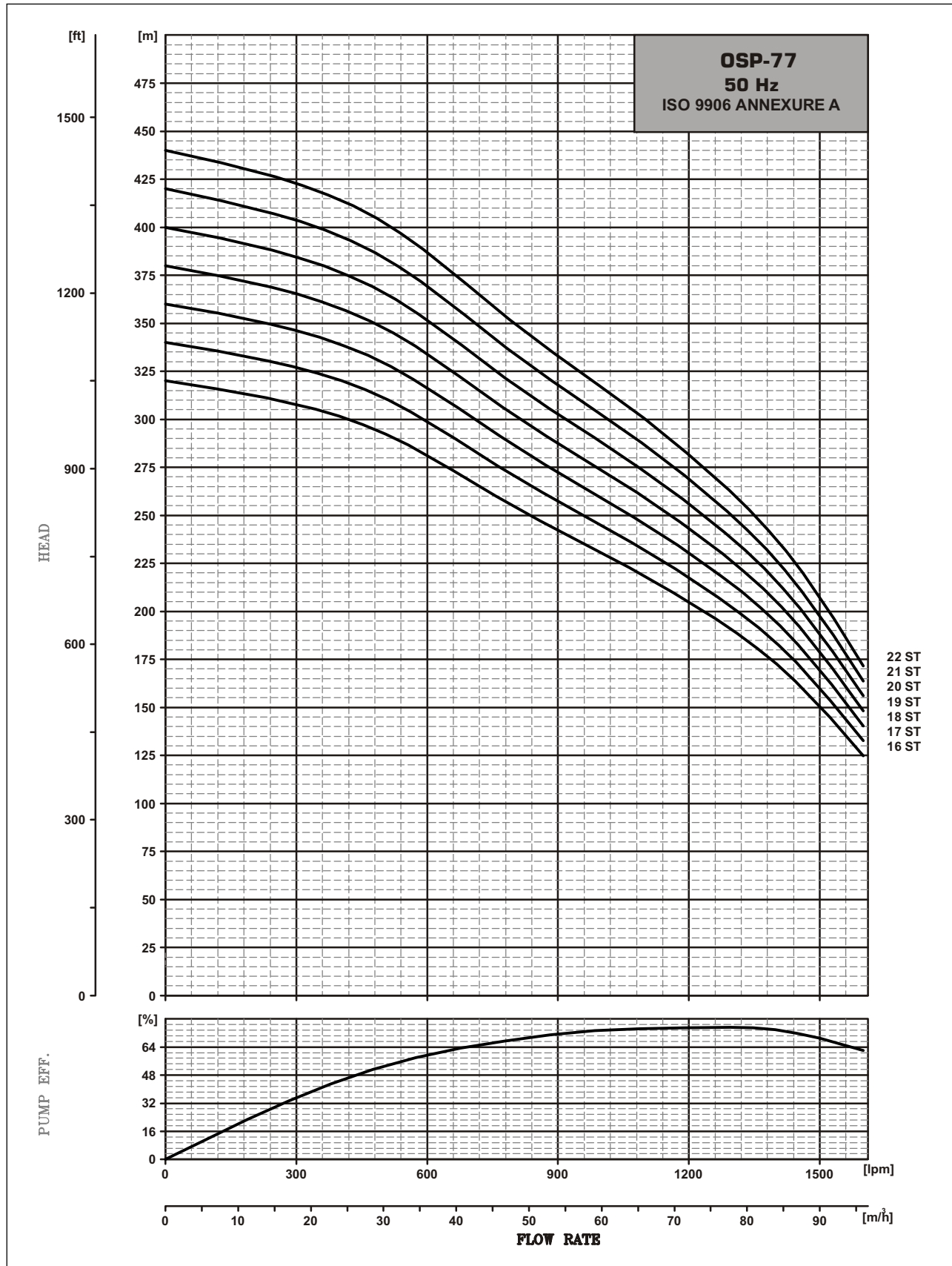
Performance Curves



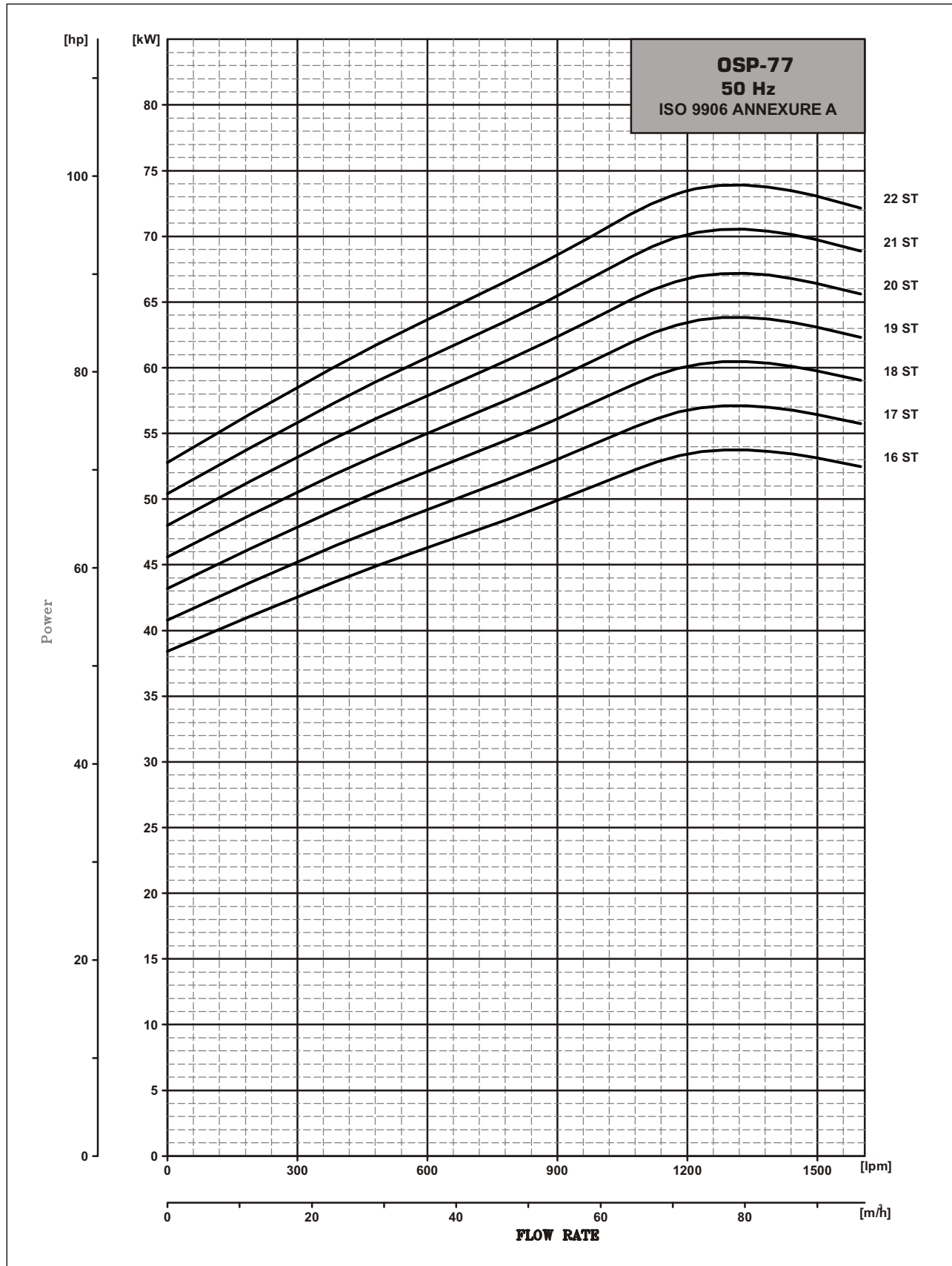
Power Curves



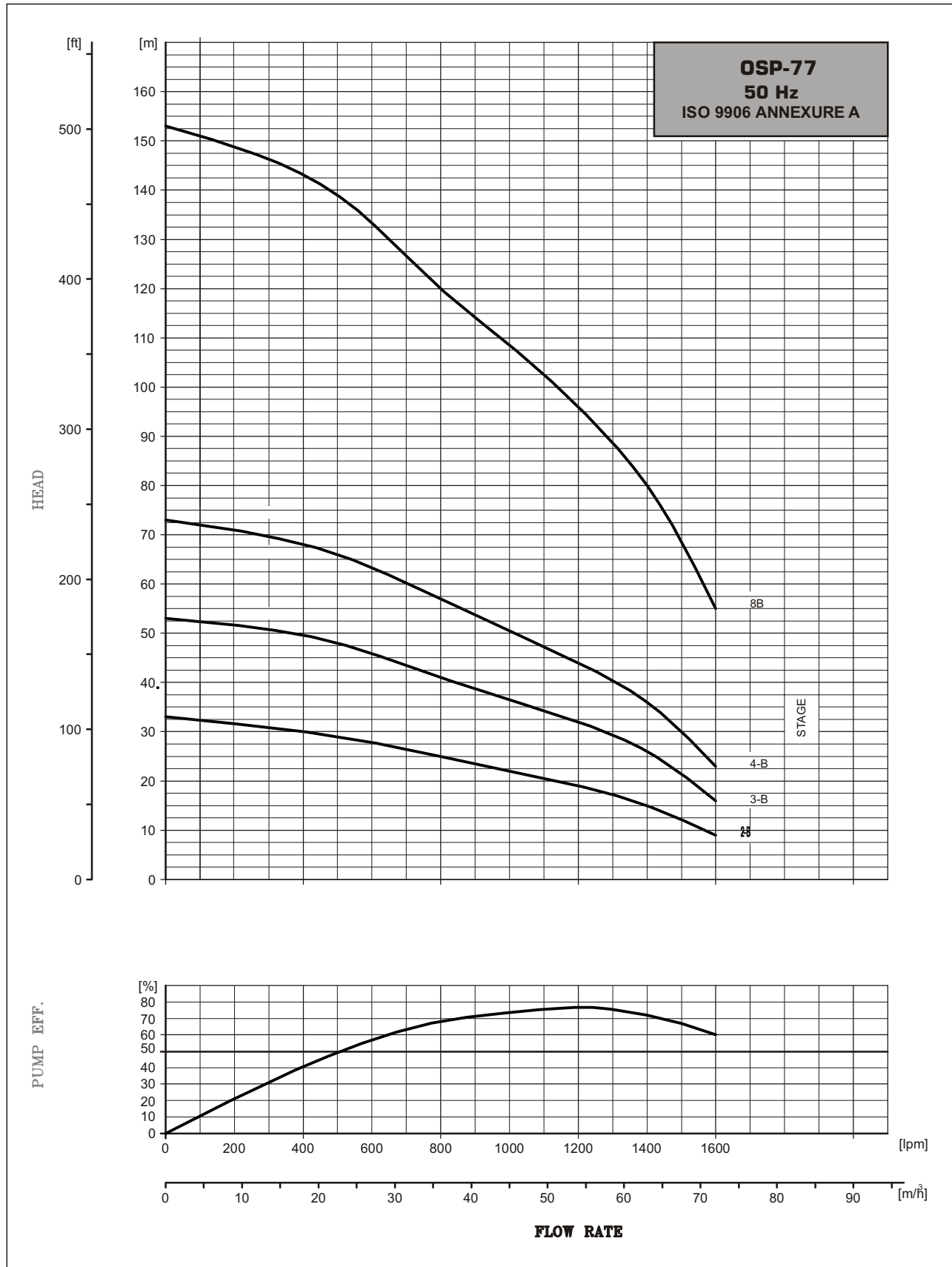
Performance Curves



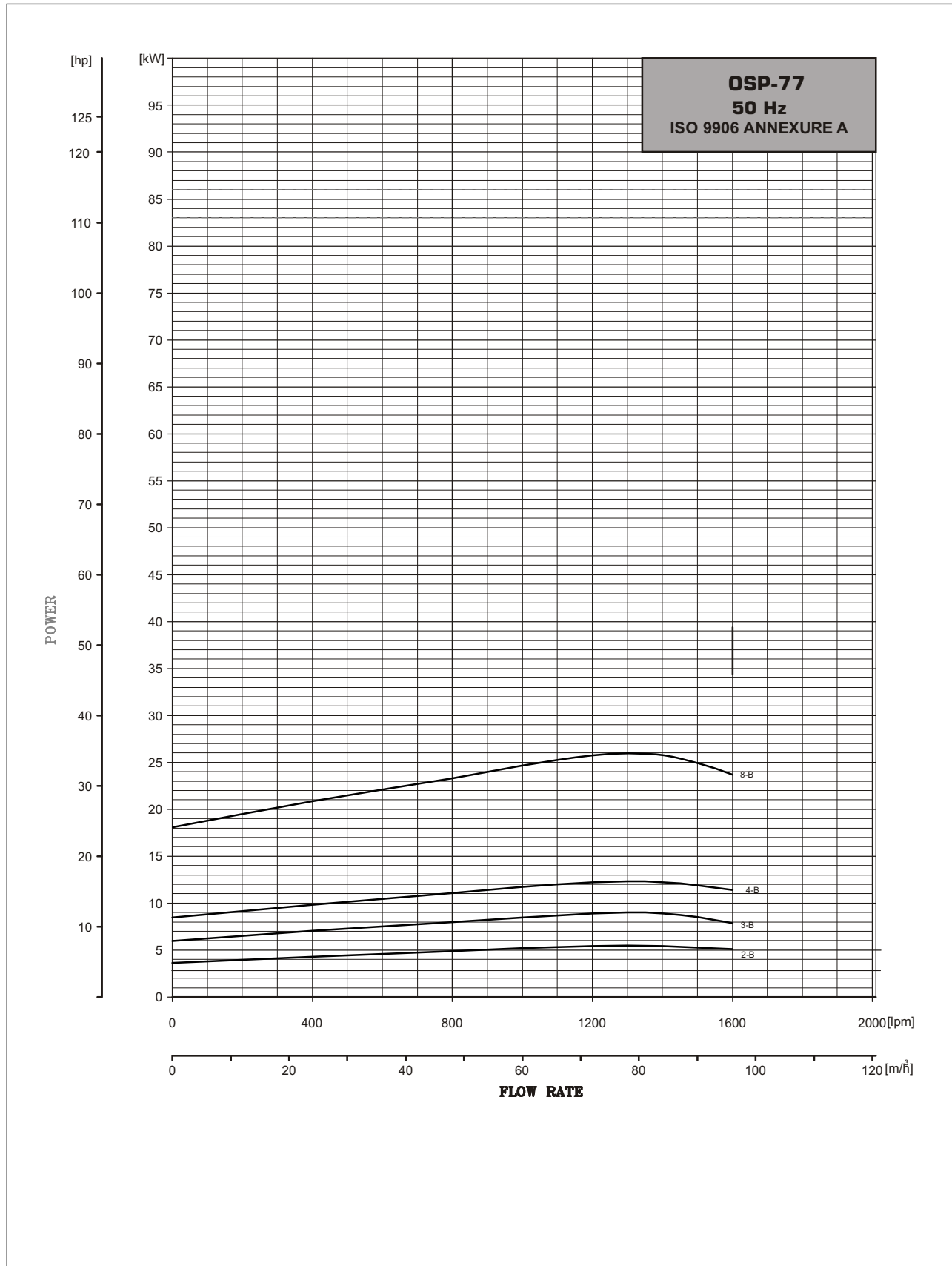
Power Curves



Performance Curves



Power Curves



Performance Table

Submersible Pump OSP- 95

MODEL OSP-95	K.W.	H.P.	Stage	Motor Joining	Out let Size	Discharge					
						M ³ /H (LPM)	0	48	72	96	108
OSP- 95 (E) (6x8)	5.5	7.5	1	V-6	5"BSP	21.4	17.3	14.8	11.8	9.7	6.7
OSP- 95 (E) (6x8)	5.5	7.5	2-BB	V-6	5"BSP	27	22	19	12	6	2
OSP- 95 (E) (6x8)	7.5	10	2-A	V-6	5"BSP	39	29	25	20	15	9
OSP- 95 (E) (6x8)	9.3	12.5	2	V-6	5"BSP	43	35	30	24	19	13
OSP- 95 (E) (6x8)	9.3	12.5	3-BB	V-6	5"BSP	48	39	34	24	16	7
OSP- 95 (E) (6x8)	11	15	3-B	V-6	5"BSP	57	46	40	30	22	13
OSP- 95 (E) (6x8)	13	17.5	3	V-6	5"BSP	64	52	44	35	29	20
OSP- 95 (E) (6x8)	15	20	4-B	V-6	5"BSP	78	63	54	41	32	20
OSP- 95 (E) (6x8)	18.5	25	4	V-6	5"BSP	86	69	59	47	39	27
OSP- 95 (E) (6x8)	18.5	25	5-AB	V-6	5"BSP	95	75	64	49	37	20
OSP- 95 (E) (6x8)	22	30	5	V-6	5"BSP	107	87	74	59	49	34
OSP- 95 (E) (6x8)	26	35	6	V-6	5"BSP	128	104	89	71	58	40
OSP- 95 (E)	30	40	7	V-8	5"BSP	150	121	104	83	68	47
OSP- 95 (E)	37	50	8	V-8	5"BSP	171	138	118	94	78	54
OSP- 95 (E)	37	50	9	V-8	5"BSP	193	156	133	106	87	60
OSP- 95 (E)	45	60	10	V-8	5"BSP	214	173	148	118	97	67
OSP- 95 (E)	55	75	11	V-8	5"BSP	235	190	163	130	107	74
OSP- 95 (E)	55	75	12	V-8	5"BSP	257	208	178	142	116	80
OSP- 95 (E)	55	75	13	V-8	5"BSP	278	225	192	153	126	87
OSP- 95 (E)	67	90	14	V-8	5"BSP	300	242	207	165	136	94
OSP- 95 (E)	75	100	15	V-8	5"BSP	321	260	222	177	146	101
OSP- 95 (E)	75	100	16	V-8	5"BSP	342	277	237	189	155	107
OSP- 95 (E)	75	100	17	V-8	5"BSP	364	294	252	201	165	114
OSP- 95 (E)	93	125	18	V-8	5"BSP	385	311	266	212	175	121
OSP- 95 (E)	93	125	19	V-8	5"BSP	407	329	281	224	184	127
OSP- 95 (E)	93	125	20	V-8	5"BSP	428	346	296	236	194	134

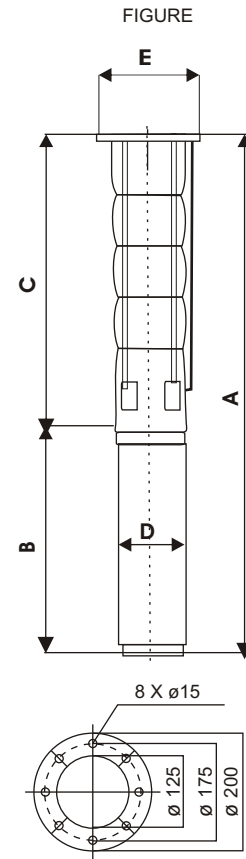
HEAD IN METERS

Technical Data

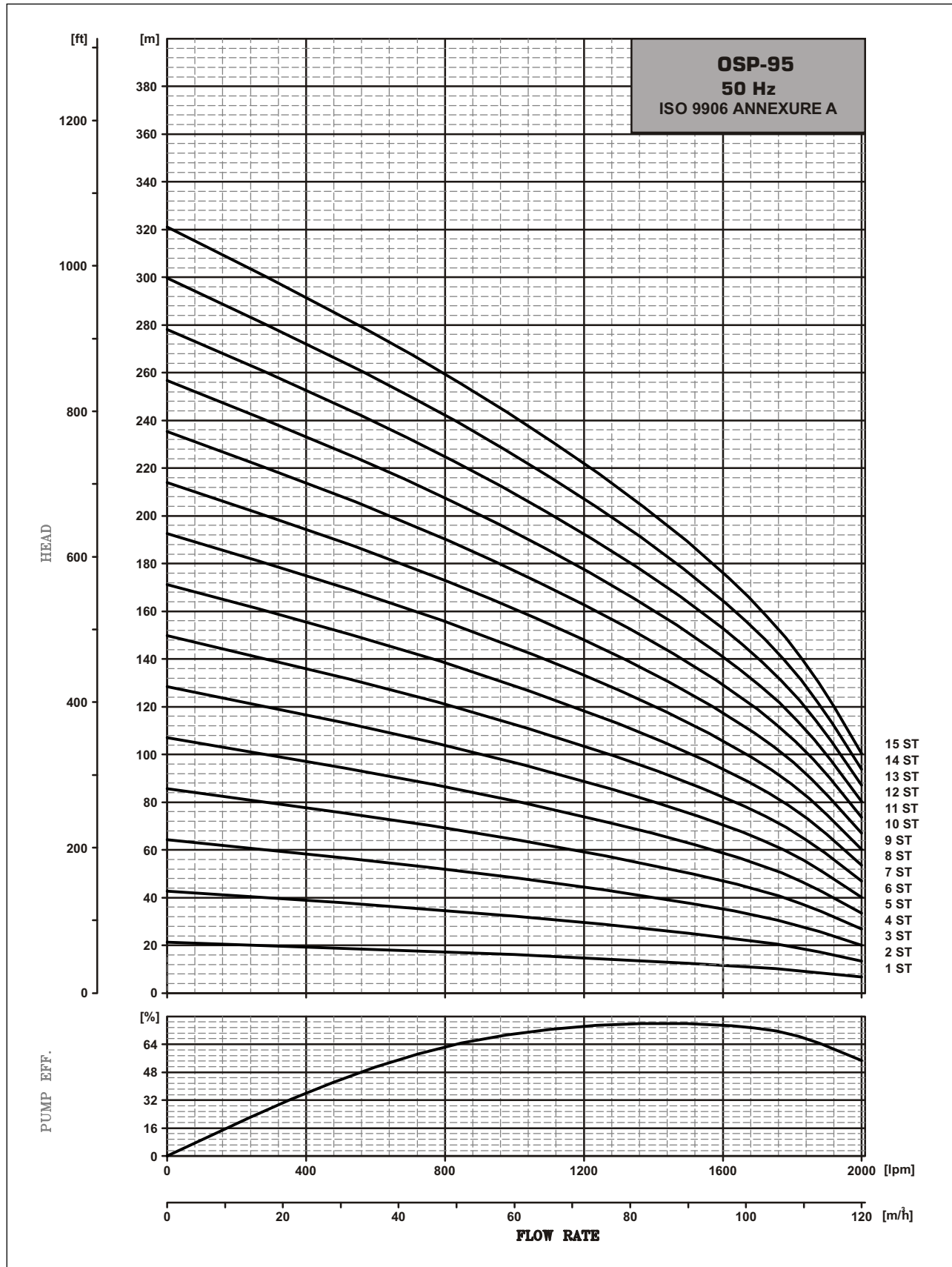
Submersible Pump OSP- 95

PUMP MODEL	STAGE	MOTOR		PUMP				MOTOR
		JOINING MOTOR	POWER (KW)	Length			Weight	OD
				C	E*	E**	Kg	D
OSP - 95	1	V-6	5.5	625	200	200	20.0	144
OSP - 95	2-BB	V-6	5.5	768	200	200	23.8	144
OSP - 95	2-A	V-6	7.5	753	200	200	23.8	144
OSP - 95	2	V-6	9.3	753	200	200	23.8	144
OSP - 95	3-BB	V-6	9.3	881	200	200	27.5	144
OSP - 95	3-B	V-6	11.0	881	200	200	27.5	144
OSP - 95	3	V-6	13.0	881	200	200	27.5	144
OSP - 95	4-B	V-6	15.0	1009	200	200	31.3	144
OSP - 95	4	V-6	18.5	1009	200	200	31.3	144
OSP - 95	5-AB	V-6	18.5	1137	200	200	35.1	144
OSP - 95	5	V-6	22.0	1137	200	200	35.1	144
OSP - 95	6	V-6	26.0	1265	200	200	38.8	144
OSP - 95	7	V-6	30.0	1393	200	200	42.6	144
OSP - 95	8	V-6	37.0	1521	200	200	46.4	144
OSP - 95	9	V-6	37.0	1649	200	200	50.2	144
OSP - 95	7	V-8	30.0	1393	200	200	44.7	144
OSP - 95	8	V-8	37.0	1521	200	200	48.5	144
OSP - 95	9	V-8	37.0	1649	200	200	52.2	144
OSP - 95	10	V-8	45.0	1792	205	205	56.0	189
OSP - 95	11	V-8	55.0	1920	205	205	59.8	189
OSP - 95	12	V-8	55.0	2048	205	205	63.5	189
OSP - 95	13	V-8	55.0	2176	205	205	67.3	189
OSP - 95	14	V-8	67.0	2304	205	205	71.1	189
OSP - 95	15	V-8	75.0	2432	205	205	74.9	189
OSP - 95	16	V-8	75.0	2560	205	205	78.6	189
OSP - 95	17	V-8	75.0	2688	205	205	82.4	189
OSP - 95	18	V-8	93.0	2816	205	205	86.2	189
OSP - 95	19	V-8	93.0	2944	205	205	89.9	189
OSP - 95	20	V-8	93.0	3072	205	205	93.7	189

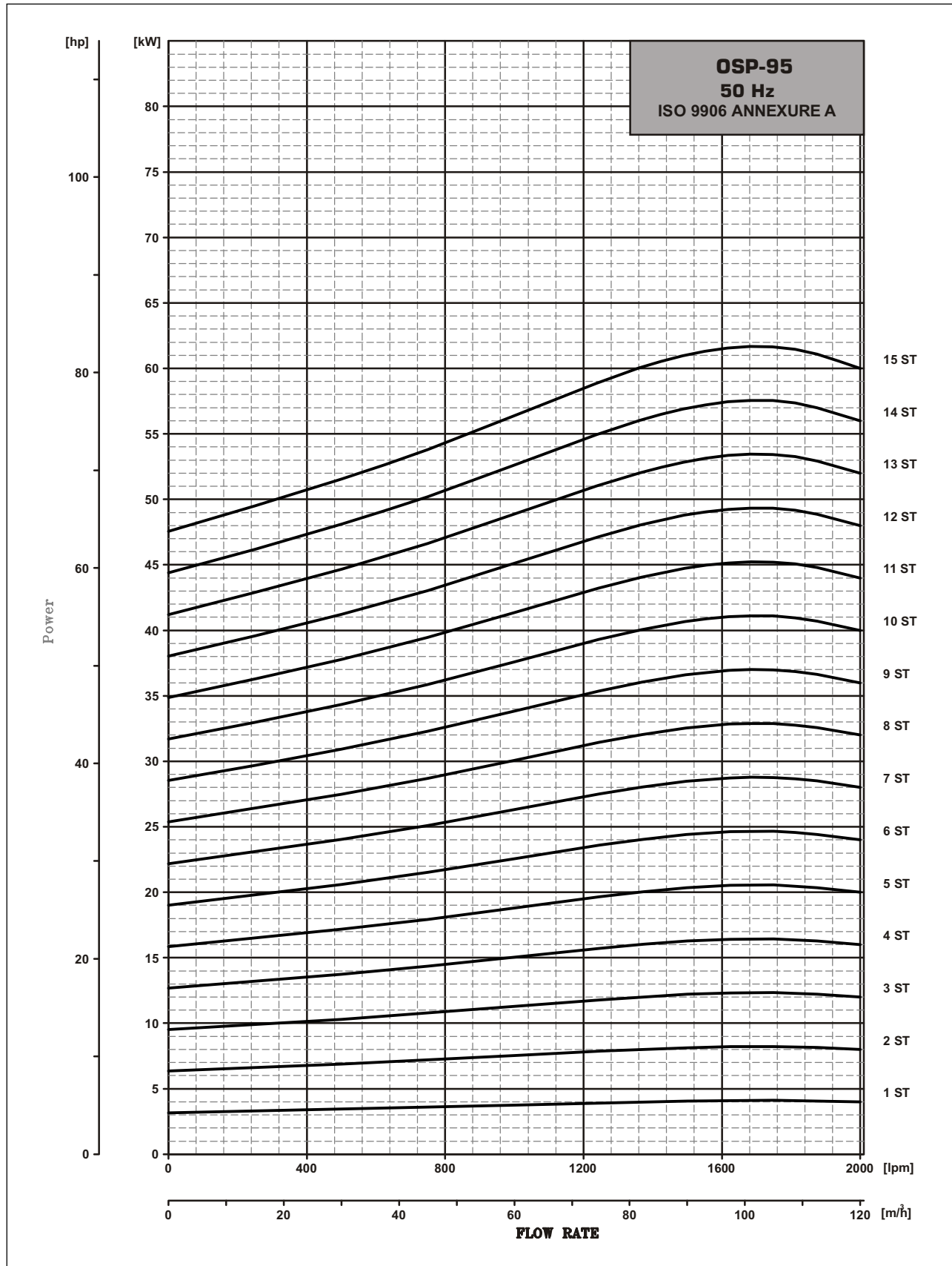
* MAX.DIA OF PUMP WITH ONE MOTOR CABLE
 ** MAX.DIA OF PUMP WITH TWO MOTOR CABLE



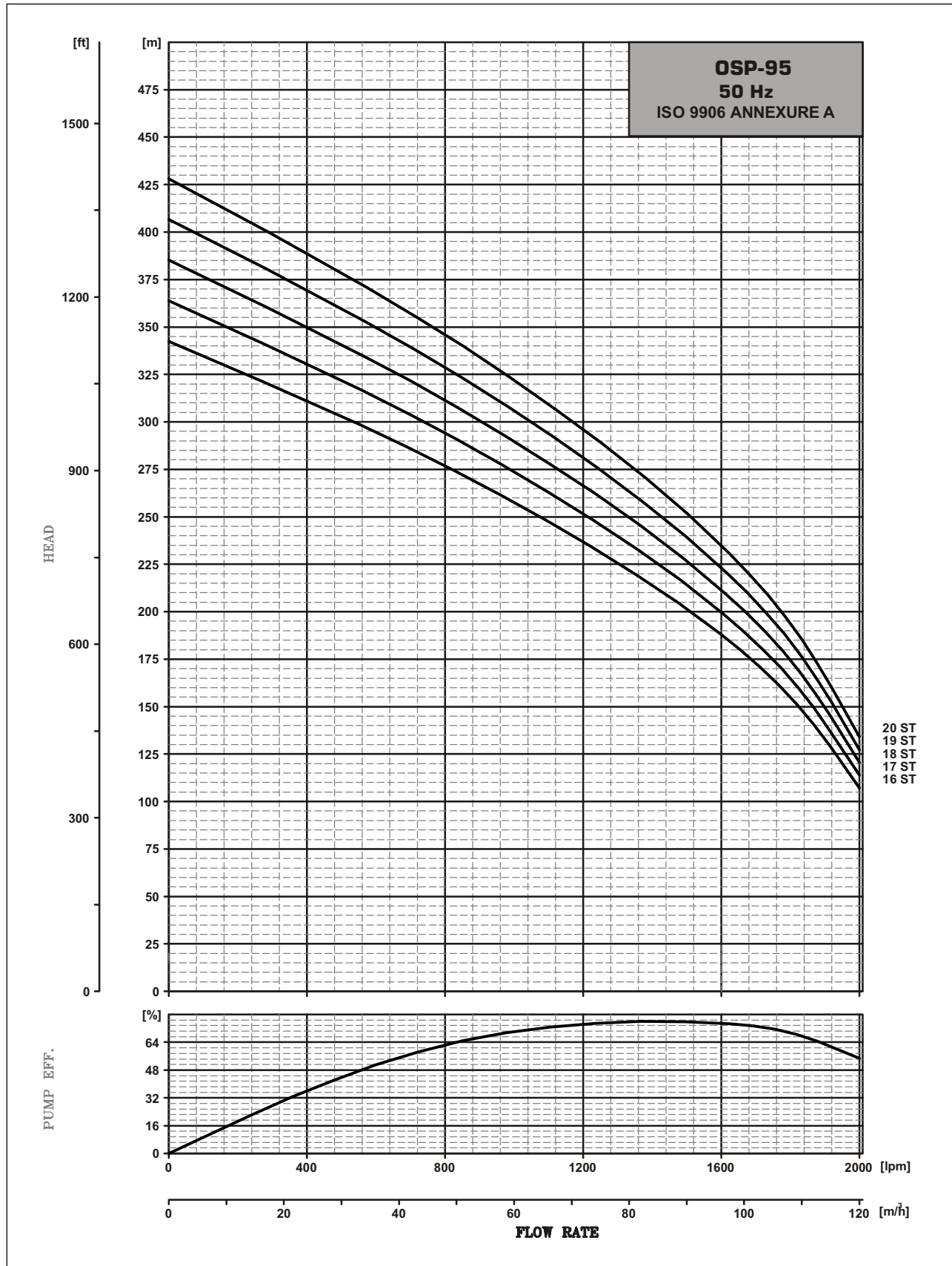
Performance Curves



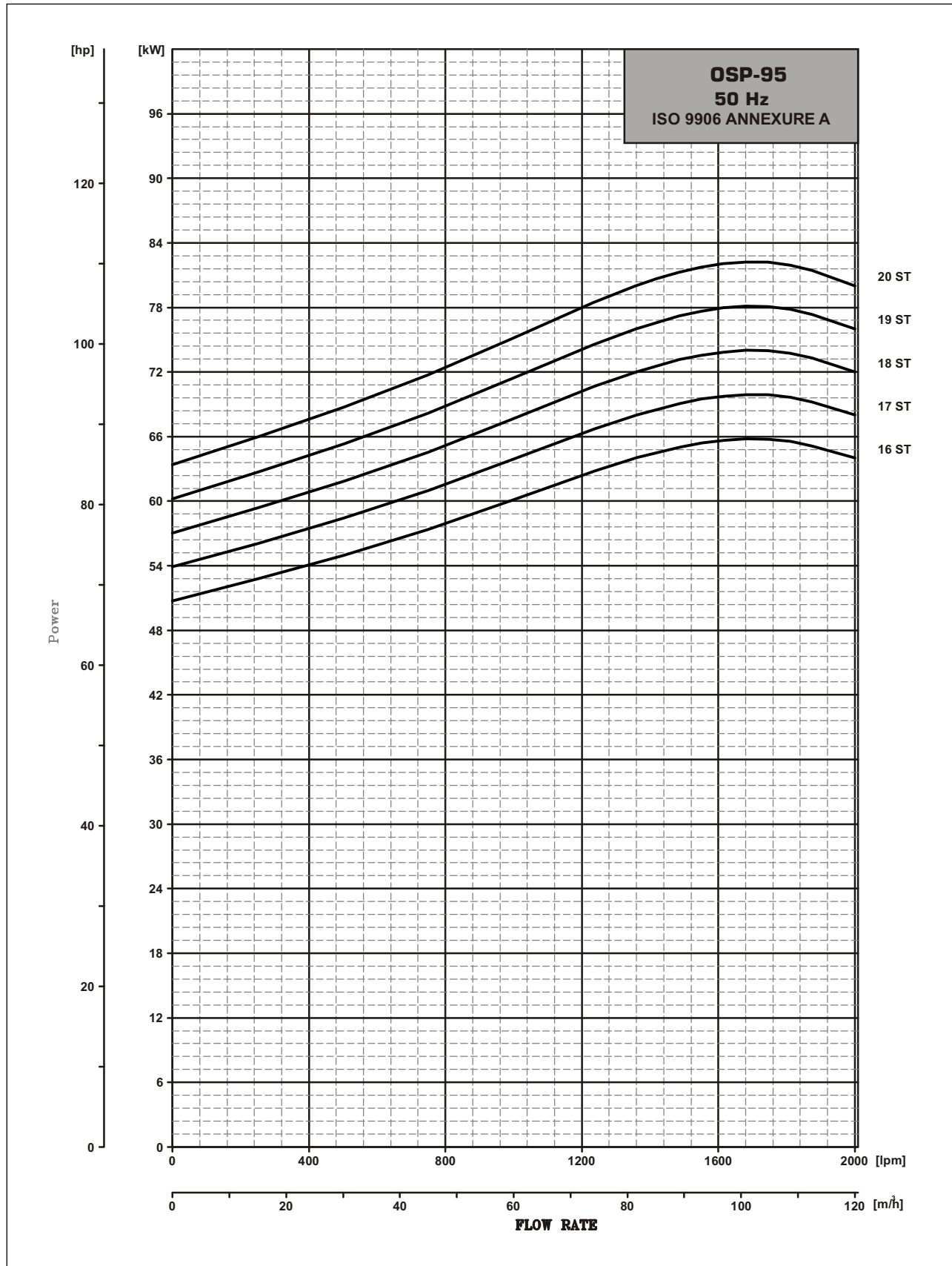
Power Curves



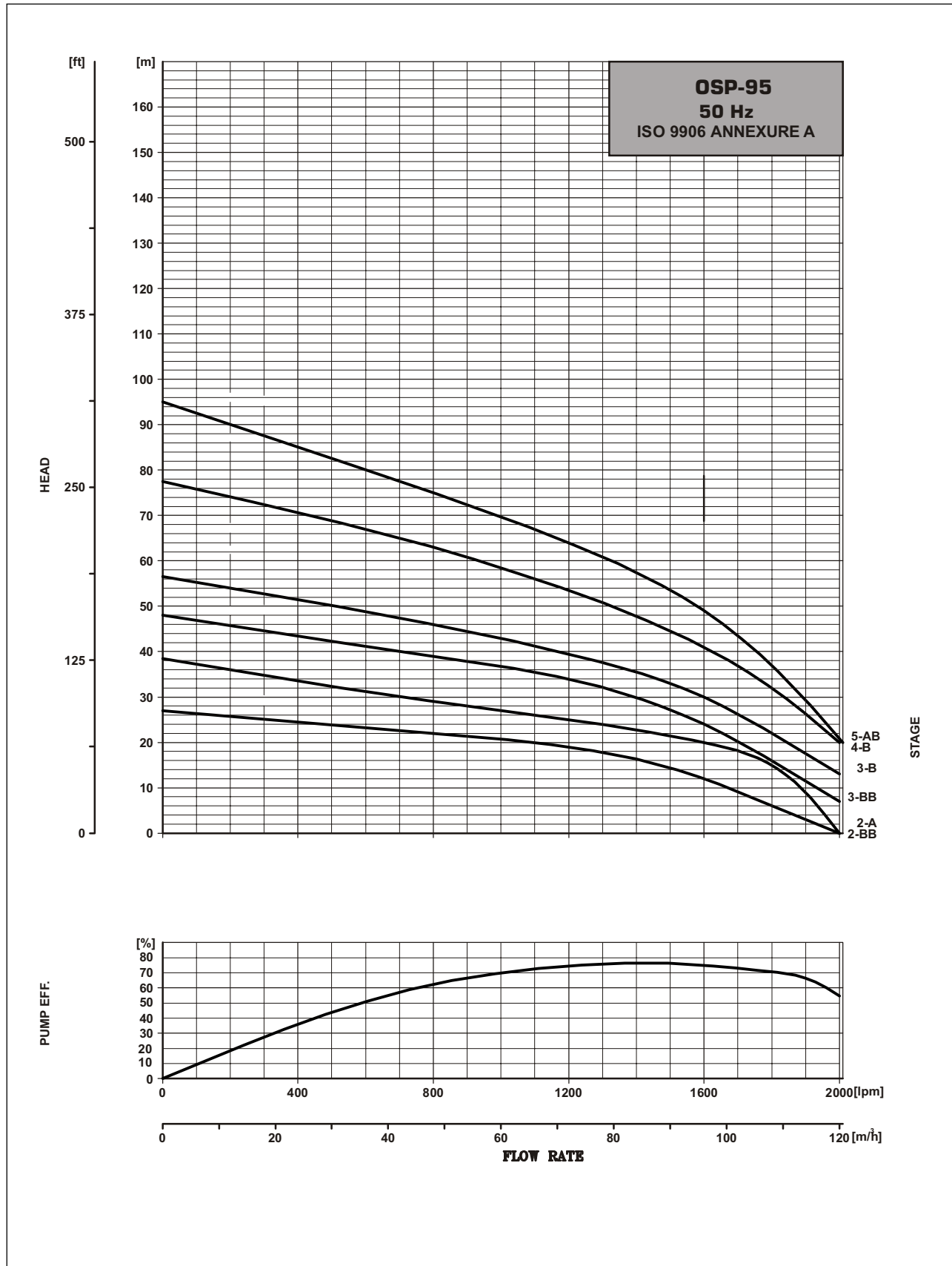
Performance Curves



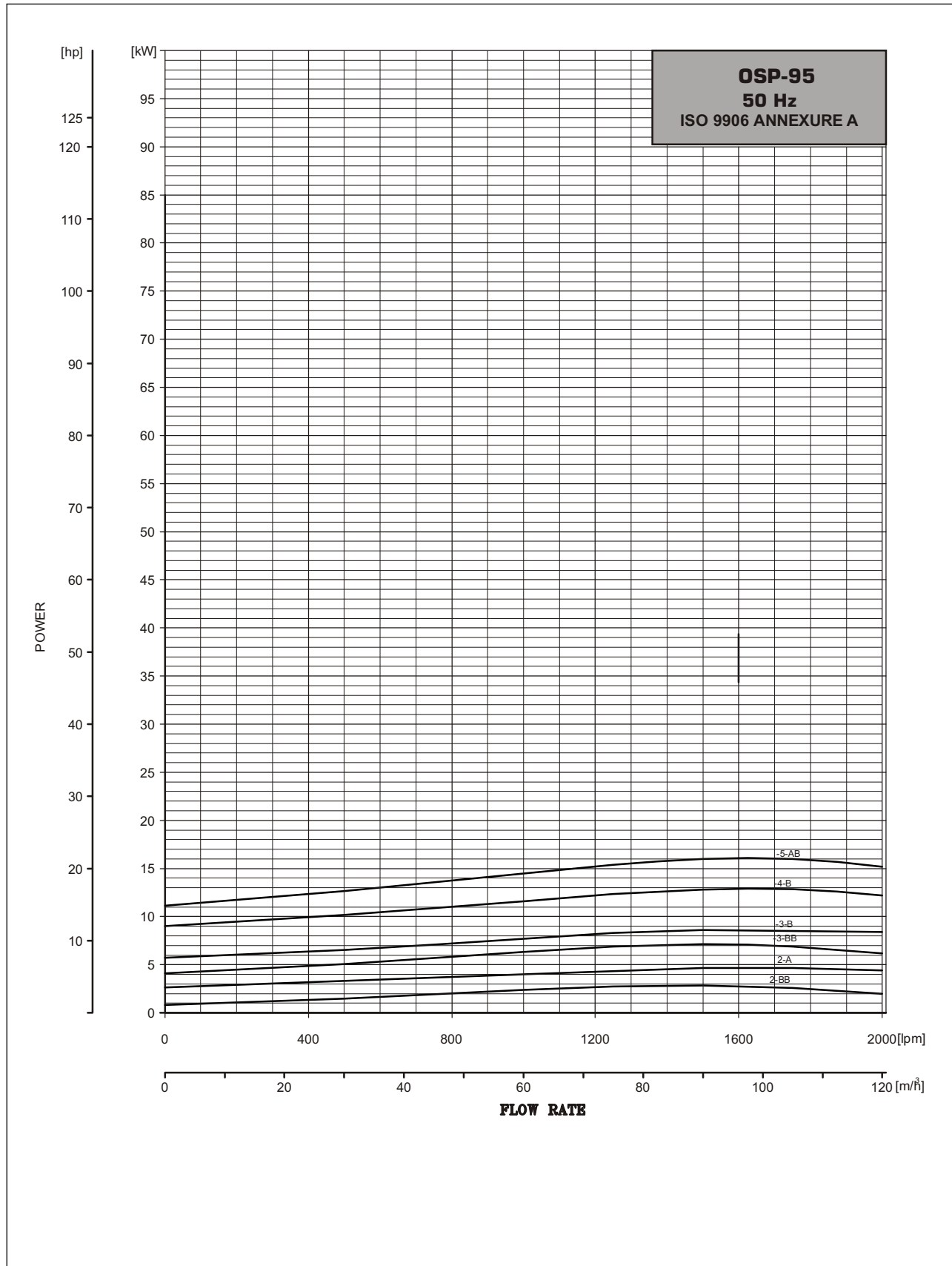
Power Curves



Performance Curves



Power Curves



10" Submersible Pump General Data

Construction

- Submersible motor and pumps for deep wells of 10" (250 mm)
- All sizes of pumps according to the NEMA standard
- OSP series pumps are completely made out of AISI 304 stainless steel material .
- Mixed flow Model : OSP-125 , OSP-160

Application

- For water supply
- For irrigation
- For civil and industrial applications.
- For fire fighting application

General Data

- Head rang up to 471 meters
- Flow range up to 180 M³

Operating condition

- Maximum liquid temperature : 45°C
- Maximum quantity of sand 50 gm / m³
- Minimum suction head required : 1.5 meter.
- Max. start per hour 30 at regular intervals.
- Direction of rotation : clockwise as seen from the pump coupling side.

Special construction on request

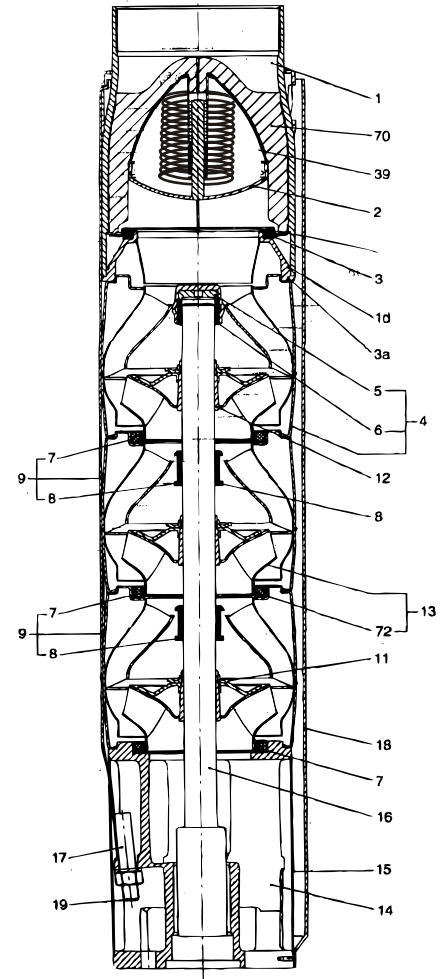
Also available in NPT connection

Material of Construction

MATERIAL SPECIFICATION - OSP -125/160

S.No.	Components	Material	Standard
1	Valve complete	Stainless steel	304
1d	O-ring	NBR	
2	Valve cup	Stainless steel	304
3	Valve seat	Stainless steel + NBR	
3a	Lower valve seat retainer	Stainless steel	304
4	Top chamber	Stainless steel	304
5	Stop disc	Zinc less bronze	
6	Upper bearing	Stainless steel + NBR	
7	Neck ring	NBR + Stainless Steel	
8	Bearing	NBR	
9	Inter Chamber	Stainless steel	304
11	Split cone nut	Stainless steel	304
12	Split cone	Stainless steel	304
13	Impeller	Stainless steel	304
14	Suction interconnector	Stainless steel	304
15	Strainer	Stainless steel	304
16	Pump shaft	Stainless steel	431
17	Strap	Stainless steel	304
18	Cable guard	Stainless steel	304
18a	Cheese-head screw for cable guard	Stainless steel	304
19	Nut	Stainless steel	304
19a	Nut	Stainless steel	304
22	H H bolt	Stainless steel	304
22a	Nut	Stainless steel	304
23	Rubber guard	Rubber	304
28	Lock for strainer	Stainless steel	
39	Spring for valve cup	Stainless steel	304
70	Valve guide complete	Stainless steel	304
71	Washer	Stainless steel	304
72	Wear ring	Stainless steel	304
77	Cover plate for suction interconnector	Stainless steel	304
77a	Screw for cable guard holder	Stainless steel	304
78	Nameplate	Stainless steel	304
79	Rivet	Stainless steel	304

Sectional View



Performance Table Submersible Pump OSP- 125

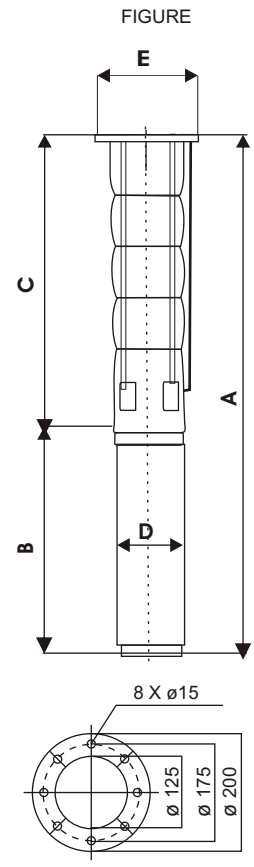
MODEL OSP-125	K.W.	H.P.	Stage	Motor Joining	Out let Size	Discharge					
						M ³ /H (LPM)	0	48	96	126	144
OSP-125(E)(6x10)	7.5	10	1-A	V-6	6"BSP	0	800	1600	2100	2400	2600
OSP-125(E)(6x10)	11	15	1	V-6	6"BSP	21	20	16	13	10	7
OSP-125(E)(6x10)	13	17.5	2-AA	V-6	6"BSP	28.5	27.7	23.0	20.0	17.0	14.7
OSP-125(E)(6x10)	18.5	25	2-A	V-6	6"BSP	44	39	32	26	19	13
OSP-125(E)(6x10)	22	30	2	V-6	6"BSP	50	47	39	33	27	21
OSP-125(E)(6x10)	22	30	3-AA	V-6	6"BSP	57	55	46	40	34	29
OSP-125(E)(6x10)	26	35	3-A	V-6	6"BSP	71	67	55	46	36	28
OSP-125 (E)	30	40	3	V-8	6"BSP	78	75	62	53	44	36
OSP-125 (E)	37	50	4-AA	V-8	6"BSP	86	83	69	60	51	44
OSP-125 (E)	37	50	4-A	V-8	6"BSP	99	94	78	66	53	42
OSP-125 (E)	37	50	4	V-8	6"BSP	107	103	85	73	61	51
OSP-125 (E)	45	60	5-AA	V-8	6"BSP	114	111	92	80	68	59
OSP-125 (E)	45	60	5-A	V-8	6"BSP	128	122	101	86	70	57
OSP-125 (E)	55	75	5	V-8	6"BSP	135	131	108	93	78	66
OSP-125 (E)	55	75	6-AA	V-8	6"BSP	143	139	115	100	85	74
OSP-125 (E)	55	75	6-A	V-8	6"BSP	156	150	124	106	87	72
OSP-125 (E)	63	85	6	V-8	6"BSP	164	158	131	113	95	80
OSP-125 (E)	63	85	7-AA	V-8	6"BSP	171	166	138	120	102	88
OSP-125 (E)	63	85	7-A	V-8	6"BSP	185	178	147	126	104	87
OSP-125 (E)	75	100	7	V-8	6"BSP	192	186	154	133	112	95
OSP-125 (E)	75	100	8-AA	V-8	6"BSP	200	194	161	140	119	103
OSP-125 (E)	75	100	8-A	V-8	6"BSP	213	205	170	146	121	101
OSP-125 (E)	75	100	8	V-8	6"BSP	221	213	177	153	129	109
OSP-125 (E)	93	125	9-AA	V-8	6"BSP	228	222	184	160	136	118
OSP-125 (E)	93	125	9-A	V-8	6"BSP	242	233	193	166	138	116
OSP-125 (E)	93	125	9	V-8	6"BSP	249	241	200	173	146	124
OSP-125 (E)	93	125	10-AA	V-8	6"BSP	257	249	207	180	153	132
OSP-125 (E)	93	125	10-A	V-8	6"BSP	270	261	216	186	155	131
OSP-125 (E)	93	125	10	V-8	6"BSP	278	269	223	193	163	139
OSP-125 (E)	110	150	11	V-10	6"BSP	285	277	230	200	170	147
OSP-125 (E)	130	175	12	V-10	6"BSP	314	305	253	220	187	162
OSP-125 (E)	130	175	13	V-10	6"BSP	342	332	276	240	204	176
OSP-125 (E)	150	200	14	V-10	6"BSP	371	360	299	260	221	191
OSP-125 (E)	150	200	15	V-10	6"BSP	399	388	322	280	238	206
OSP-125 (E)	185	250	16	V-10	6"BSP	428	416	345	300	255	221
OSP-125 (E)	185	250	17	V-10	6"BSP	456	443	368	320	272	235
OSP-125 (E)	185	250	17	V-10	6"BSP	485	471	391	340	289	250

HEAD IN METERS

Technical Data

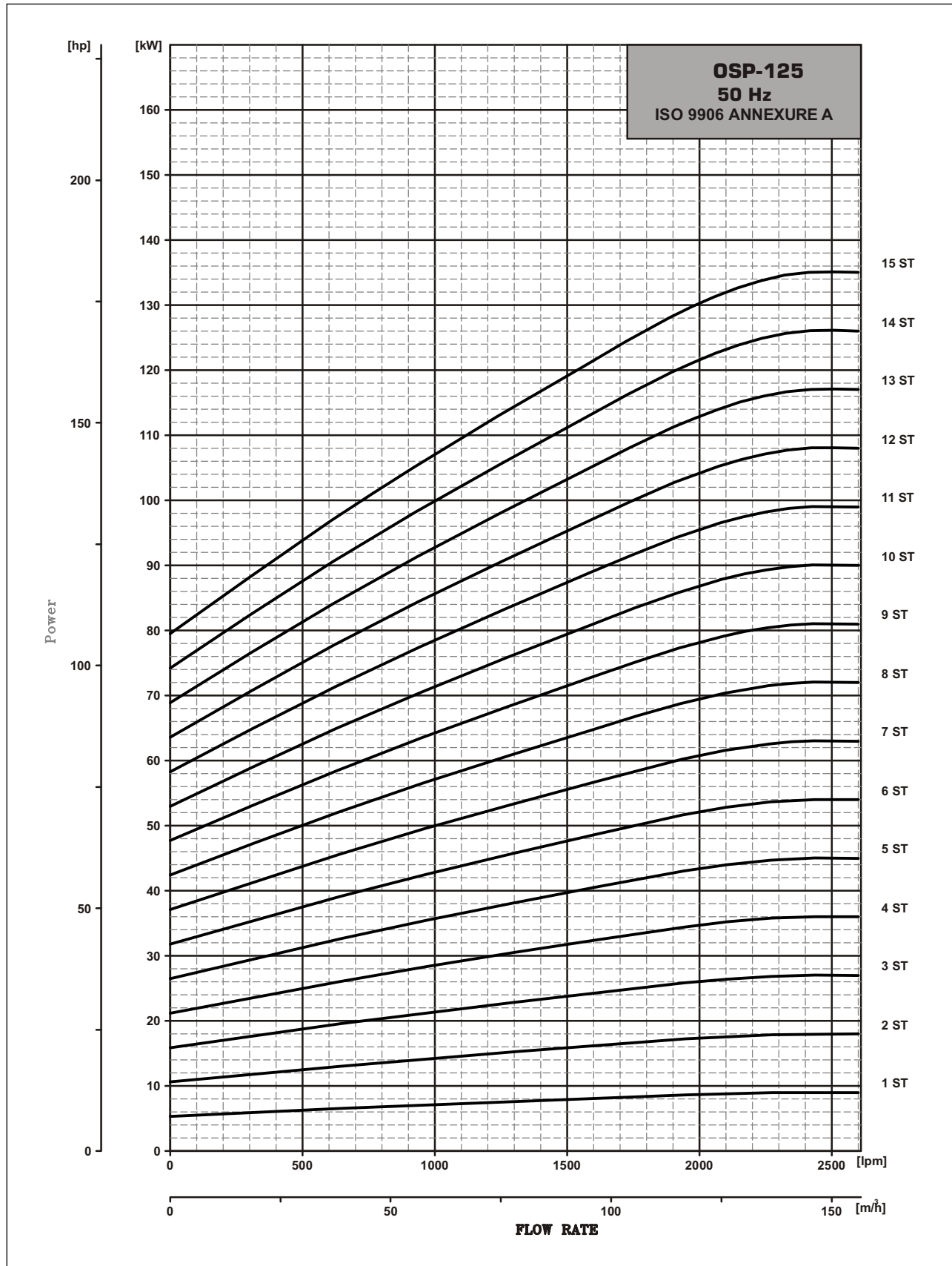
Submersible Pump OSP- 125

PUMP MODEL	STAGE	MOTOR		PUMP				MOTOR		
		JOINING MOTOR	POWER (KW)	Length C	E*	E**	Weight Kg	OD D	Length B	Weight Kg
OSP - 125	1-A	V-6	7.5	636	222	226	28.2	144	699	48
OSP - 125	1	V-6	11.0	636	222	226	28.2	144	779	56
OSP - 125	2-AA	V-6	13.0	792	222	226	34.4	144	829	61
OSP - 125	2-A	V-6	18.5	792	222	226	34.4	144	919	70
OSP - 125	2	V-6	22.0	792	222	226	34.4	144	1009	79
OSP - 125	3-AA	V-6	22.0	948	222	226	40.7	144	1009	79
OSP - 125	3-A	V-6	26.0	948	222	226	40.7	144	1114	90
OSP - 125	3	V-6	30.0	948	222	226	40.7	144	1214	100
OSP - 125	4-AA	V-6	37.0	1104	222	226	46.9	144	1294	107
OSP - 125	4-A	V-6	37.0	1104	222	226	46.9	144	1294	107
OSP - 125	4	V-6	37.0	1104	222	226	46.9	144	1294	107
OSP - 125	3	V-8	30.0	948	222	226	41.9	189	1140	140
OSP - 125	4-AA	V-8	37.0	1104	222	226	48.1	189	1140	140
OSP - 125	4-A	V-8	37.0	1104	222	226	48.1	189	1140	140
OSP - 125	4	V-8	37.0	1104	222	226	48.1	189	1140	140
OSP - 125	5-AA	V-8	45.0	1260	222	226	54.4	189	1230	156
OSP - 125	5-A	V-8	45.0	1260	222	226	54.4	189	1230	156
OSP - 125	5	V-8	55.0	1260	222	226	54.4	189	1340	179
OSP - 125	6-AA	V-8	55.0	1416	222	226	60.6	189	1340	179
OSP - 125	6-A	V-8	55.0	1416	222	226	60.6	189	1340	179
OSP - 125	6	V-8	67.0	1416	229	232	60.6	189	1470	198
OSP - 125	7-AA	V-8	67.0	1572			66.9	189	1470	198
OSP - 125	7-A	V-8	67.0	1572			66.9	189	1470	198
OSP - 125	7	V-8	75.0	1572			66.9	189	1560	215
OSP - 125	8-AA	V-8	75.0	1728			73.1	189	1560	215
OSP - 125	8-A	V-8	75.0	1728			73.1	189	1560	215
OSP - 125	8	V-8	75.0	1728			73.1	189	1560	215
OSP - 125	9-AA	V-8	93.0	1884			79.4	189	1740	247
OSP - 125	9-A	V-8	93.0	1884			79.4	189	1740	247
OSP - 125	9	V-8	93.0	1884			79.4	189	1740	247
OSP - 125	10-AA	V-8	93.0	2040			85.6	189	1740	247
OSP - 125	10-A	V-8	93.0	2040			85.6	189	1740	247
OSP - 125	10	V-8	93.0	2040			85.6	189	1740	247
OSP - 125	11	V-10	110.0	2196			92.5	236	1529	315
OSP - 125	12	V-10	130.0	2352			98.7	236	1659	362
OSP - 125	13	V-10	130.0	2508			105.0	236	1659	362
OSP - 125	14	V-10	150.0	2664			111.2	236	1769	413
OSP - 125	15	V-10	150.0	2820			117.5	236	1769	413
OSP - 125	16	V-10	185.0	2976			123.7	236	1919	449
OSP - 125	17	V-10	185.0	3132			130.0	236	1919	449
OSP - 125	16	V-12	185.0	2976			126.2	286	1703	595
OSP - 125	17	V-12	185.0	3132			132.5	286	1703	595

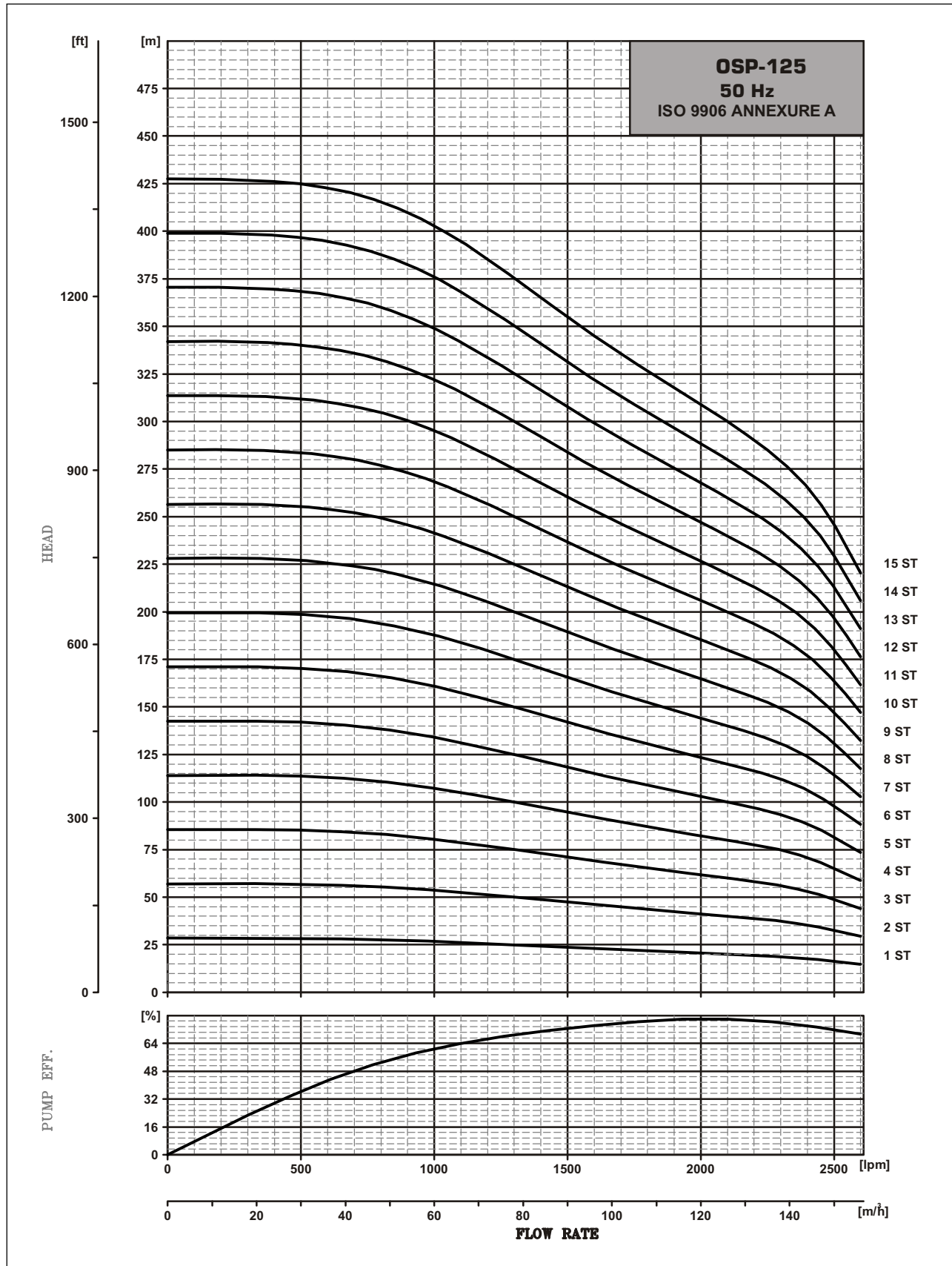


* MAX.DIA OF PUMP WITH ONE MOTOR CABLE
 ** MAX.DIA OF PUMP WITH TWO MOTOR CABLE

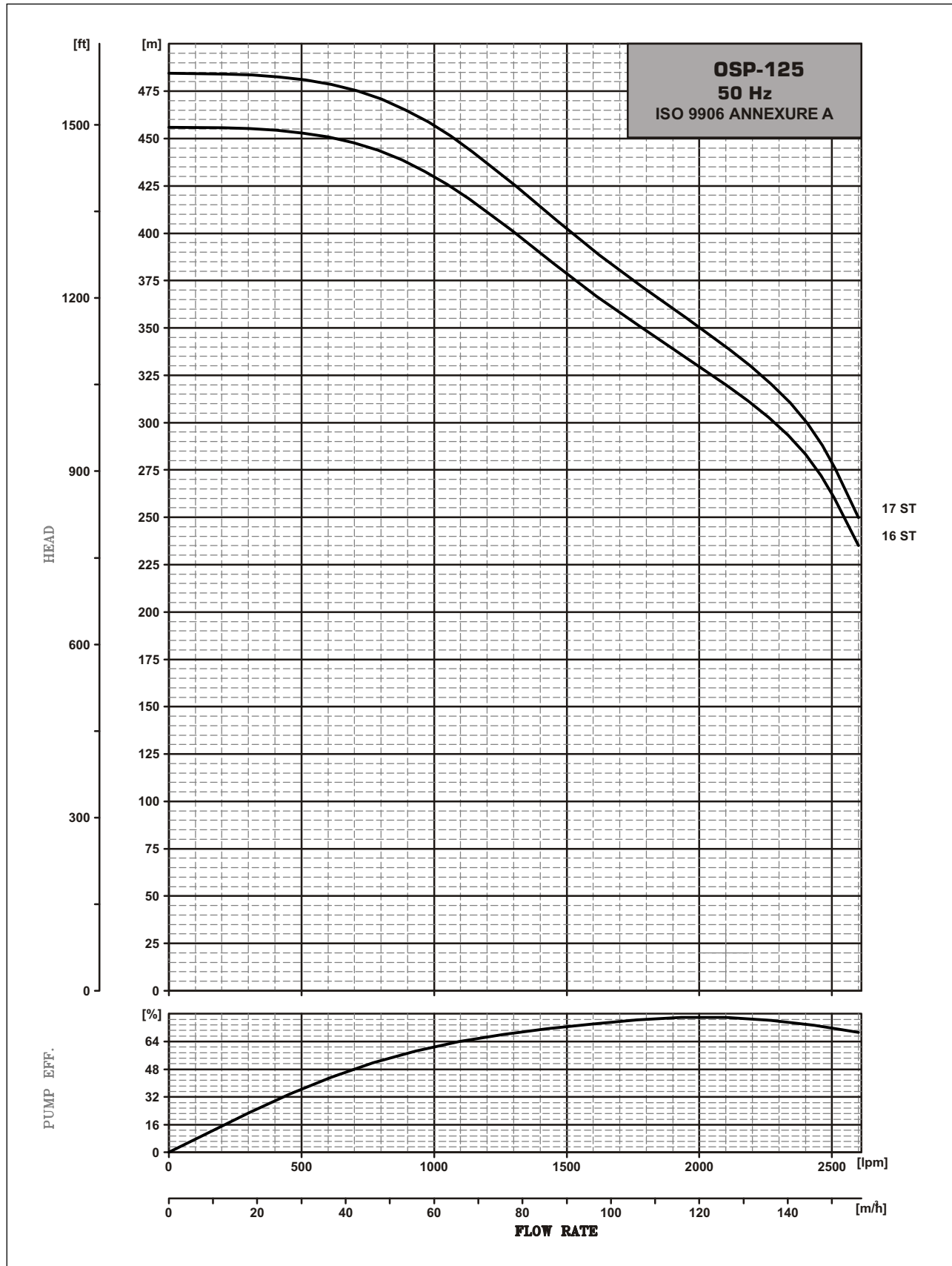
Power Curves



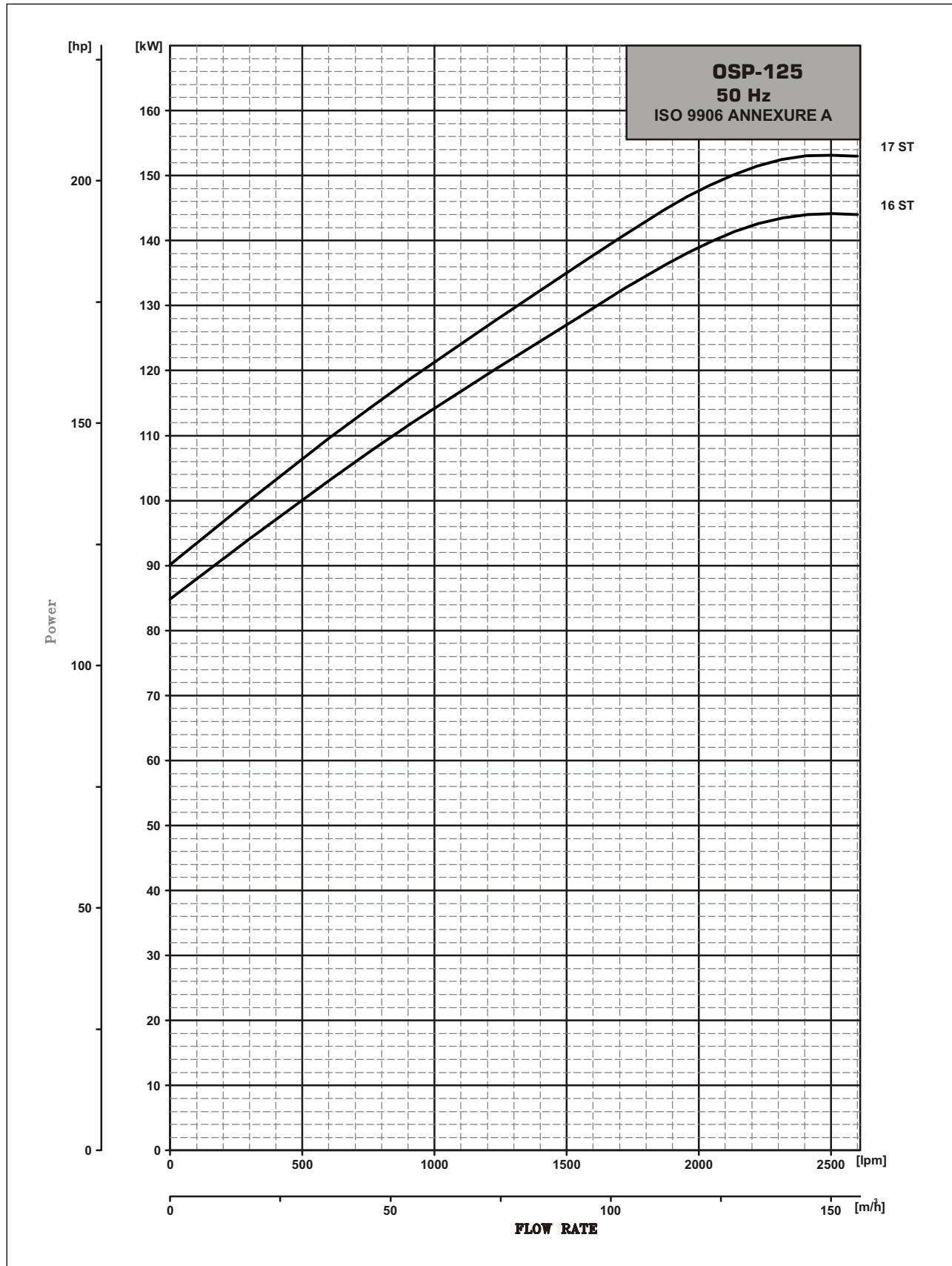
Performance Curves



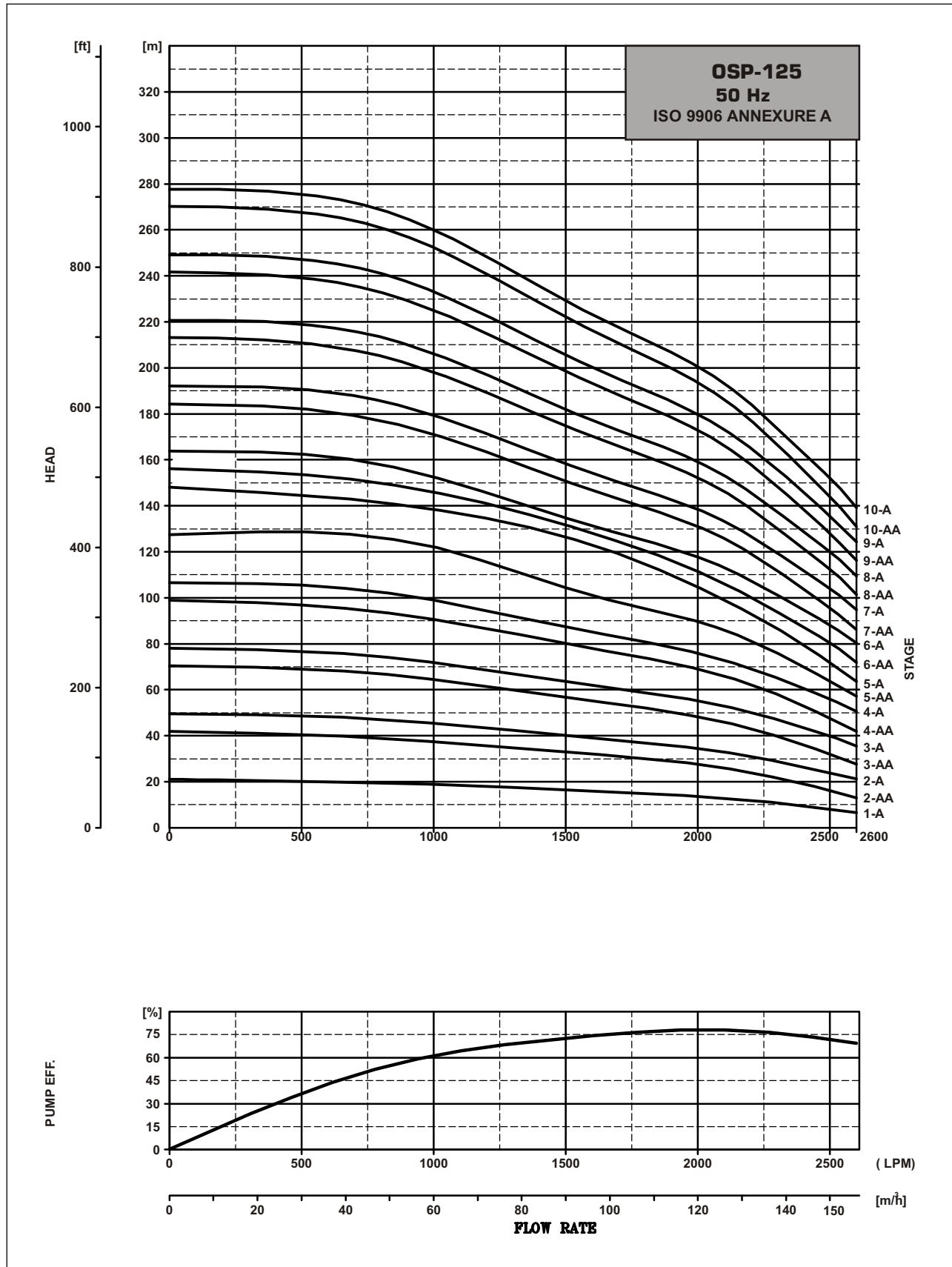
Performance Curves



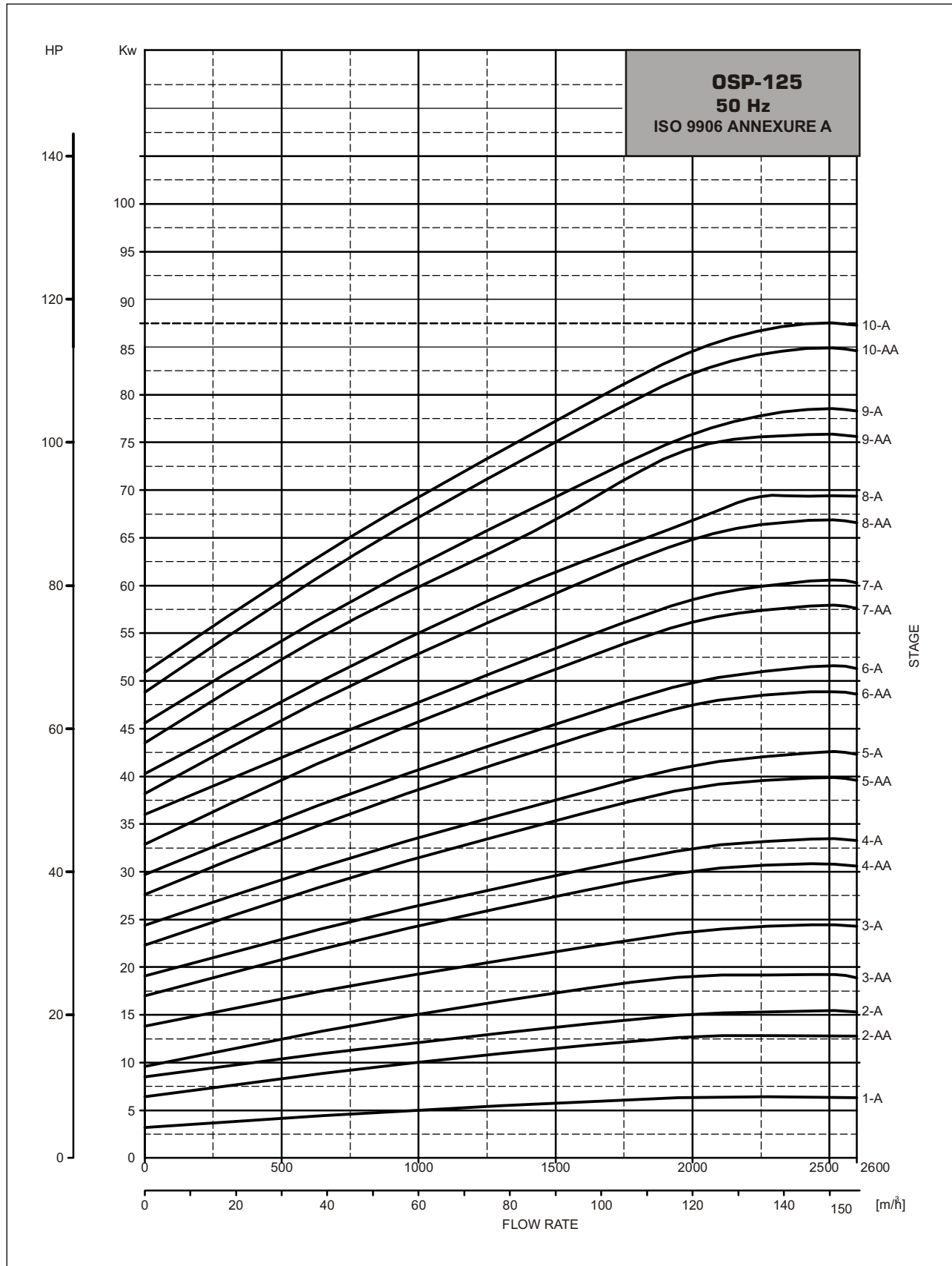
Power Curves



Performance Curves



Power Curves



Performance Table Submersible Pump OSP- 160

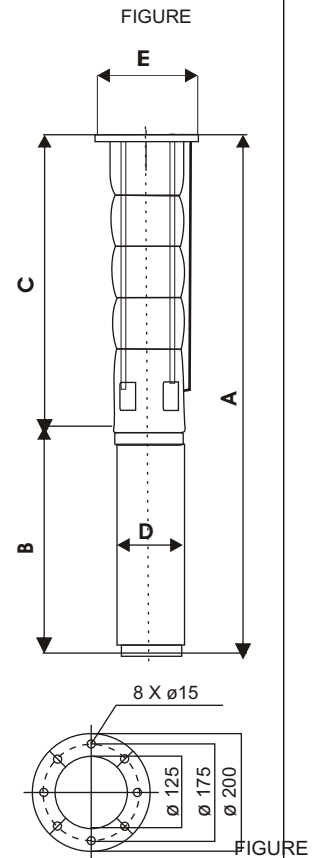
MODEL OSP-160	K.W.	H.P.	Stage	Motor Joining	Out let Size	Discharge						
						M ³ /H (LPM)	0	60	90	120	162	180
OSP-160(E)(6X10)	9.3	12.5	1-A	V-6	6"BSP	0	0	1000	1500	2000	2700	3000
OSP-160(E)(6X10)	13	17.5	1	V-6	6"BSP	24	20.5	18	16	12	9.5	
OSP-160(E)(6X10)	18.5	25	2-AA	V-6	6"BSP	32.0	29.5	26.2	23.3	20.0	17.5	
OSP-160(E)(6X10)	22	30	2-A	V-6	6"BSP	48	41	36	32	24	19	
OSP-160(E)(6X10)	26	35	2	V-6	6"BSP	56	50	44	39	32	27	
OSP-160 (E)	30	40	3-AA	V-8	6"BSP	64	59	52	47	40	35	
OSP-160 (E)	37	50	3-A	V-8	6"BSP	80	71	62	55	44	37	
OSP-160 (E)	37	50	3	V-8	6"BSP	88	80	70	63	52	45	
OSP-160 (E)	45	60	4-AA	V-8	6"BSP	96	89	79	70	60	53	
OSP-160 (E)	45	60	4-A	V-8	6"BSP	112	100	88	79	64	54	
OSP-160 (E)	55	75	4	V-8	6"BSP	120	109	97	86	72	62	
OSP-160 (E)	55	75	5-AA	V-8	6"BSP	128	118	105	93	80	70	
OSP-160 (E)	55	75	5-A	V-8	6"BSP	144	130	115	102	84	72	
OSP-160 (E)	63	85	5	V-8	6"BSP	152	139	123	109	92	80	
OSP-160 (E)	63	85	6-AA	V-8	6"BSP	160	148	131	117	100	88	
OSP-160 (E)	75	100	6-A	V-8	6"BSP	176	159	141	125	104	89	
OSP-160 (E)	75	100	6	V-8	6"BSP	184	168	149	133	112	97	
OSP-160 (E)	75	100	7-AA	V-8	6"BSP	192	177	157	140	120	105	
OSP-160 (E)	93	125	7-A	V-8	6"BSP	208	189	167	149	124	107	
OSP-160 (E)	93	125	7	V-8	6"BSP	216	198	175	156	132	115	
OSP-160 (E)	93	125	8-AA	V-8	6"BSP	224	207	183	163	140	123	
OSP-160 (E)	93	125	8-A	V-8	6"BSP	240	218	193	172	144	124	
OSP-160 (E)	110	150	9-AA	V-10	6"BSP	248	227	201	179	152	132	
OSP-160 (E)	110	150	9	V-10	6"BSP	256	236	210	186	160	140	
OSP-160 (E)	110	150	10-AA	V-10	6"BSP	272	248	219	195	164	142	
OSP-160 (E)	130	175	10-A	V-10	6"BSP	280	257	228	202	172	152	
OSP-160 (E)	130	175	10	V-10	6"BSP	288	266	236	210	180	158	
OSP-160 (E)	150	200	11	V-10	6"BSP	304	277	246	218	184	160	
OSP-160 (E)	150	200	12	V-10	6"BSP	312	287	254	226	192	168	
OSP-160 (E)	185	250	13	V-10	6"BSP	320	295	262	233	200	175	
OSP-160 (E)	185	250	14	V-10	6"BSP	352	324.5	288	256	220	193	
OSP-160 (E)	185	250	15	V-10	6"BSP	384	354	314	280	240	210	
OSP-160 (E)	185	250	14	V-10	6"BSP	416	383.5	341	303	260	228	
OSP-160 (E)	185	250	15	V-10	6"BSP	448	413	367	326	280	245	
OSP-160 (E)	185	250	15	V-10	6"BSP	480	442.5	393	350	300	263	

HEAD IN METERS

Technical Data

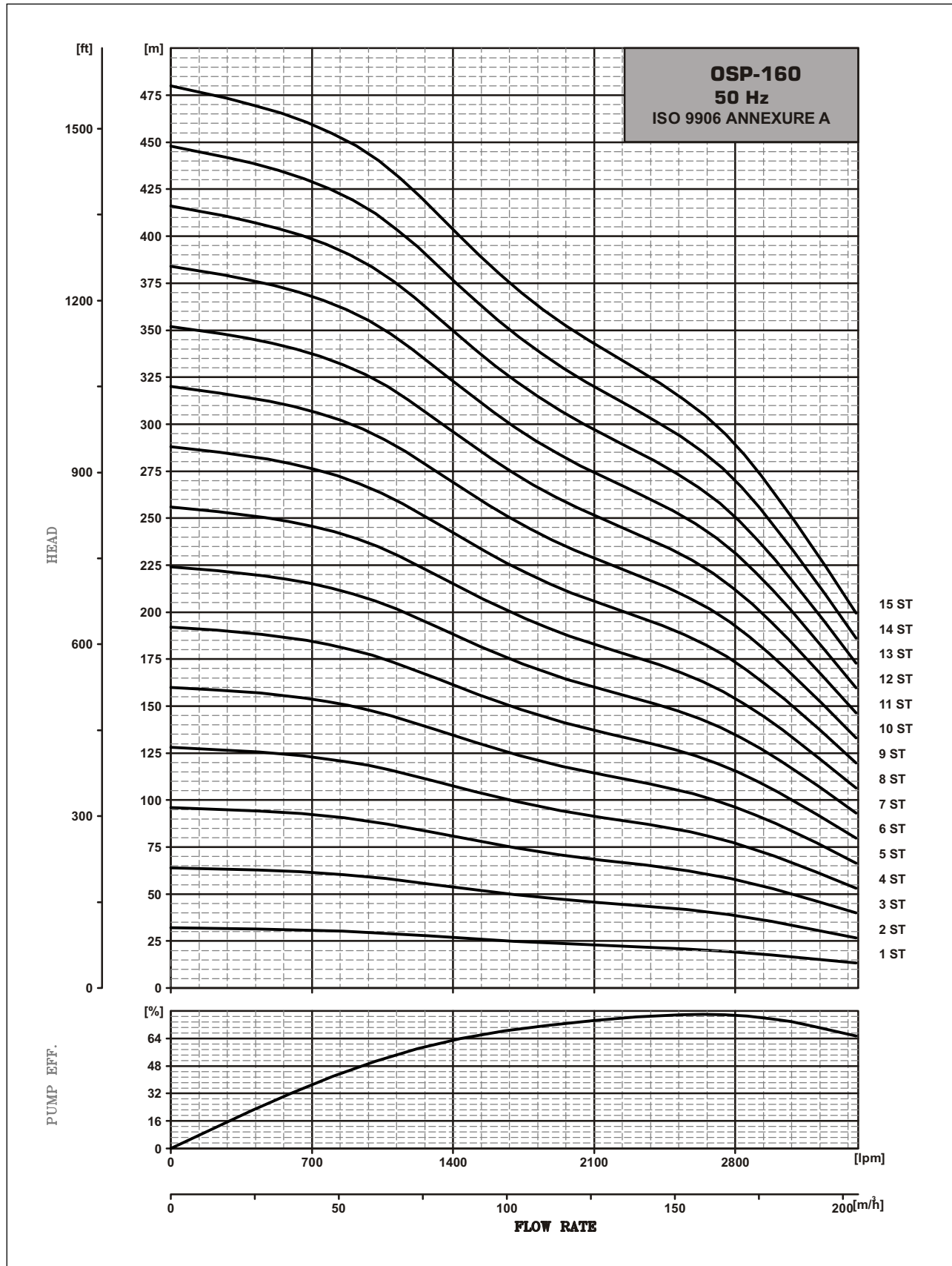
Submersible Pump OSP- 160

PUMP MODEL	STAGE	MOTOR		PUMP				MOTOR		
		JOINING MOTOR	POWER (KW)	Length C	E*	E**	Weight Kg	OD D	Length B	Weight Kg
OSP - 160	1-A	V-6	9.3	636	222	226	28.2	144	749	53
OSP - 160	1	V-6	13.0	636	222	226	28.2	144	829	61
OSP - 160	2-AA	V-6	18.5	792	222	226	34.4	144	919	70
OSP - 160	2-A	V-6	22.0	792	229	232	34.4	144	1009	79
OSP - 160	2	V-6	26.0	792	229	232	34.4	144	1114	90
OSP - 160	3-AA	V-6	30.0	948	229	232	40.7	144	1214	100
OSP - 160	3-A	V-6	37.0	948	229	232	40.7	144	1294	107
OSP - 160	3	V-6	37.0	948	229	232	40.7	144	1294	107
OSP - 160	3-AA	V-8	30.0	948	229	232	41.9	189	1140	140
OSP - 160	3-A	V-8	37.0	948	229	232	41.9	189	1140	140
OSP - 160	3	V-8	37.0	948	229	232	41.9	189	1140	140
OSP - 160	4-AA	V-8	45.0	1104	229	232	48.1	189	1230	156
OSP - 160	4-A	V-8	45.0	1104	229	232	48.1	189	1230	156
OSP - 160	4	V-8	55.0	1104	229	232	48.1	189	1340	179
OSP - 160	5-AA	V-8	55.0	1260	229	232	54.4	189	1340	179
OSP - 160	5-A	V-8	55.0	1260	229	232	54.4	189	1340	179
OSP - 160	5	V-8	67.0	1260	229	232	54.4	189	1470	198
OSP - 160	6-AA	V-8	67.0	1416	229	232	60.6	189	1470	198
OSP - 160	6-A	V-8	75.0	1416	229	232	60.6	189	1560	215
OSP - 160	6	V-8	75.0	1416	229	232	60.6	189	1560	215
OSP - 160	7-AA	V-8	75.0	1572			66.9	189	1560	215
OSP - 160	7-A	V-8	93.0	1572			66.9	189	1740	247
OSP - 160	7	V-8	93.0	1572			66.9	189	1740	247
OSP - 160	8-AA	V-8	93.0	1728			73.1	189	1740	247
OSP - 160	8-A	V-8	93.0	1728			73.1	189	1740	247
OSP - 160	8	V-8	93.0	1728			73.1	189	1740	247
OSP - 160	9-AA	V-10	110	1884			80.0	236	1529	315
OSP - 160	9-A	V-10	110	1884			80.0	236	1529	315
OSP - 160	9	V-10	110	1884			80.0	236	1529	315
OSP - 160	10-AA	V-10	110	2040			86.2	236	1529	315
OSP - 160	10-A	V-10	130	2040			86.2	236	1659	362
OSP - 160	10	V-10	130	2040			86.2	236	1659	362
OSP - 160	11	V-10	130	2196			92.5	236	1659	362
OSP - 160	12	V-10	150	2352			98.7	236	1769	413
OSP - 160	13	V-10	185	2508			105.0	236	1919	449
OSP - 160	14	V-10	185	2664			111.2	236	1919	449
OSP - 160	15	V-10	185	2820			117.5	236	1919	449
OSP - 160	13	V-12	185	2508			107.5	286	1705	595
OSP - 160	14	V-12	185	2664			113.7	286	1705	595
OSP - 160	15	V-12	185	2820			120.0	286	1705	595

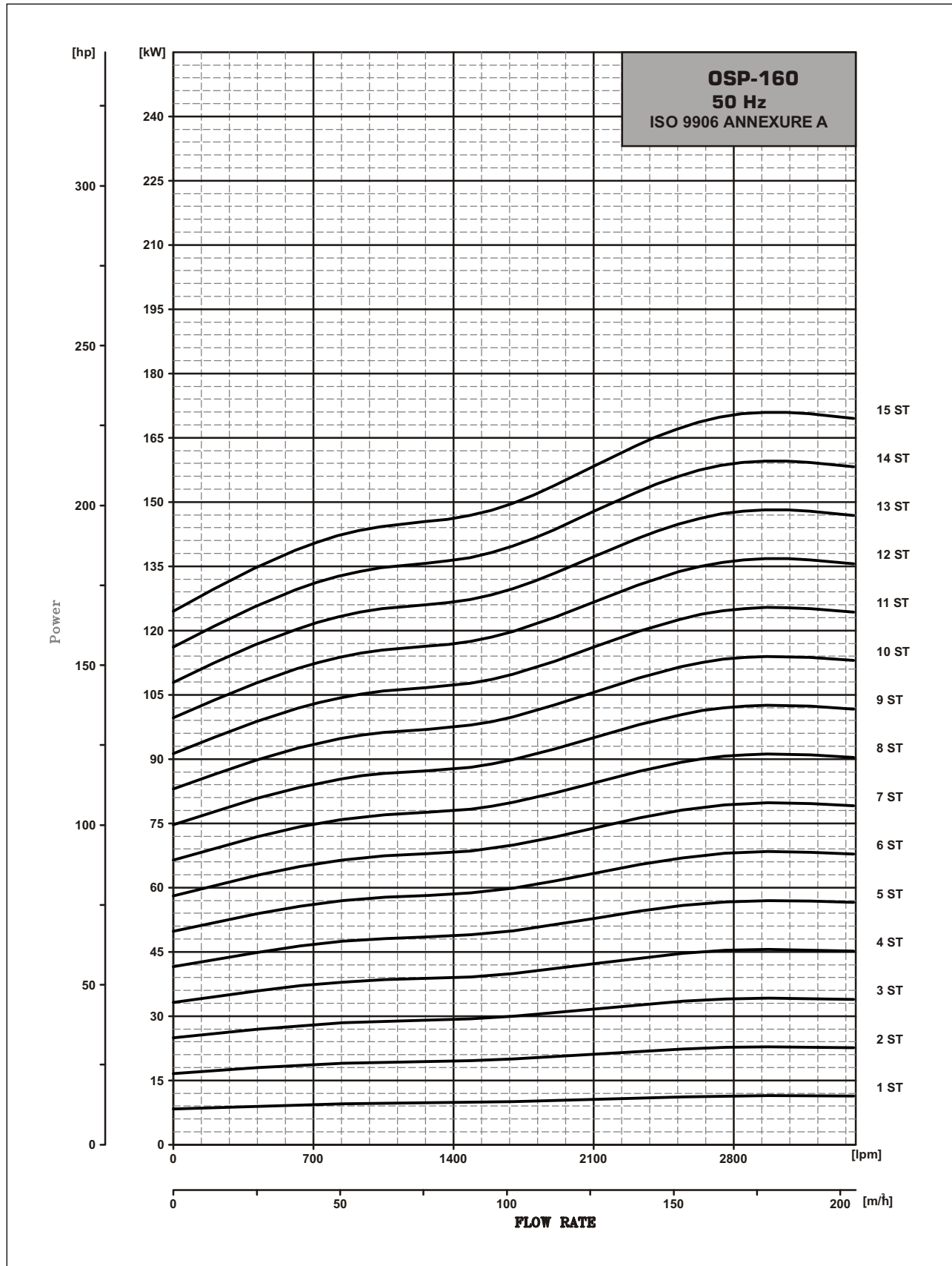


* MAX.DIA OF PUMP WITH ONE MOTOR CABLE
 ** MAX.DIA OF PUMP WITH TWO MOTOR CABLE
 ALL LENGTH IN MM

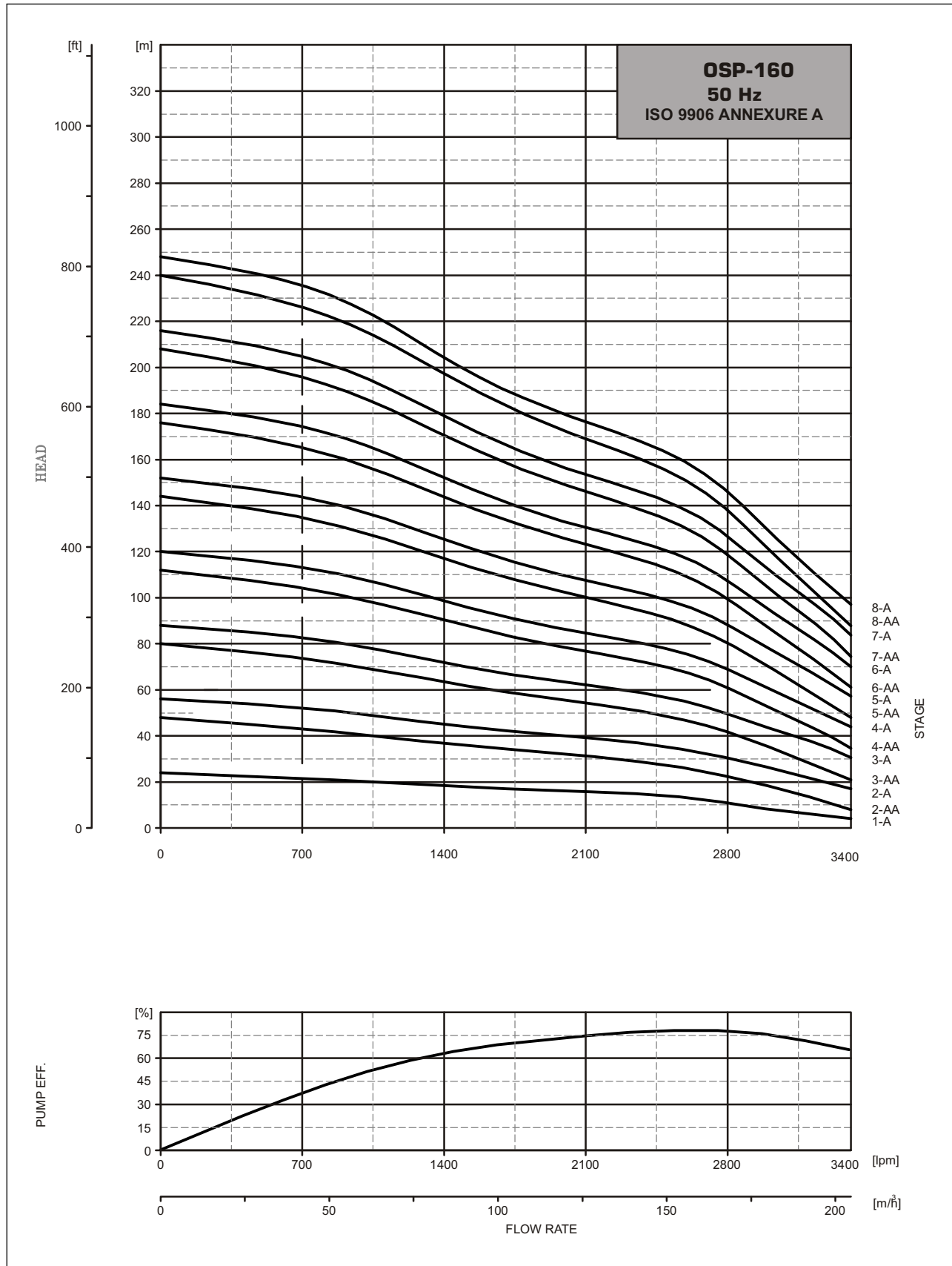
Performance Curves



Power Curves



Performance Curves



Power Curves

