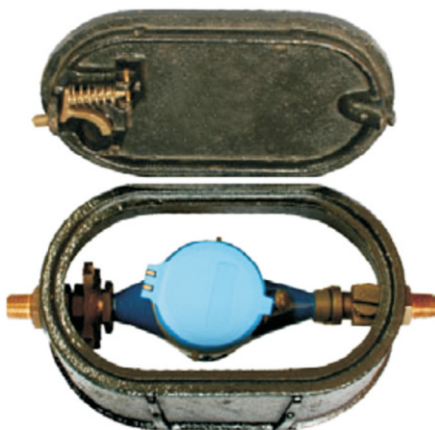


Plastic Box with Plastic Connection



Metal Box With Metal Connection



Water Meter Box

There are two water meter box option:

- Plastic water meter box, suitable for the installation from Dn 15mm-Dn-40mm water meters.
- Metal water meter box, suitable for the installation of Dn15mm water meters.

Features

- Special locking mechanism, requiring a tailor-made key to open the lid.
- Unique couplings, convenient replacement for the meters inside.
- The meter/ballcock assembly is locked where it passes through the meter box to prevent it from rotating during installation.
- High quality ballcock shut off valves without rising head parts which can cause leaks.

Application

- The meter boxes are designed to protect the water meter from unauthorized access and damage.
- The meter boxes are suitable for use in heavy traffic situations.

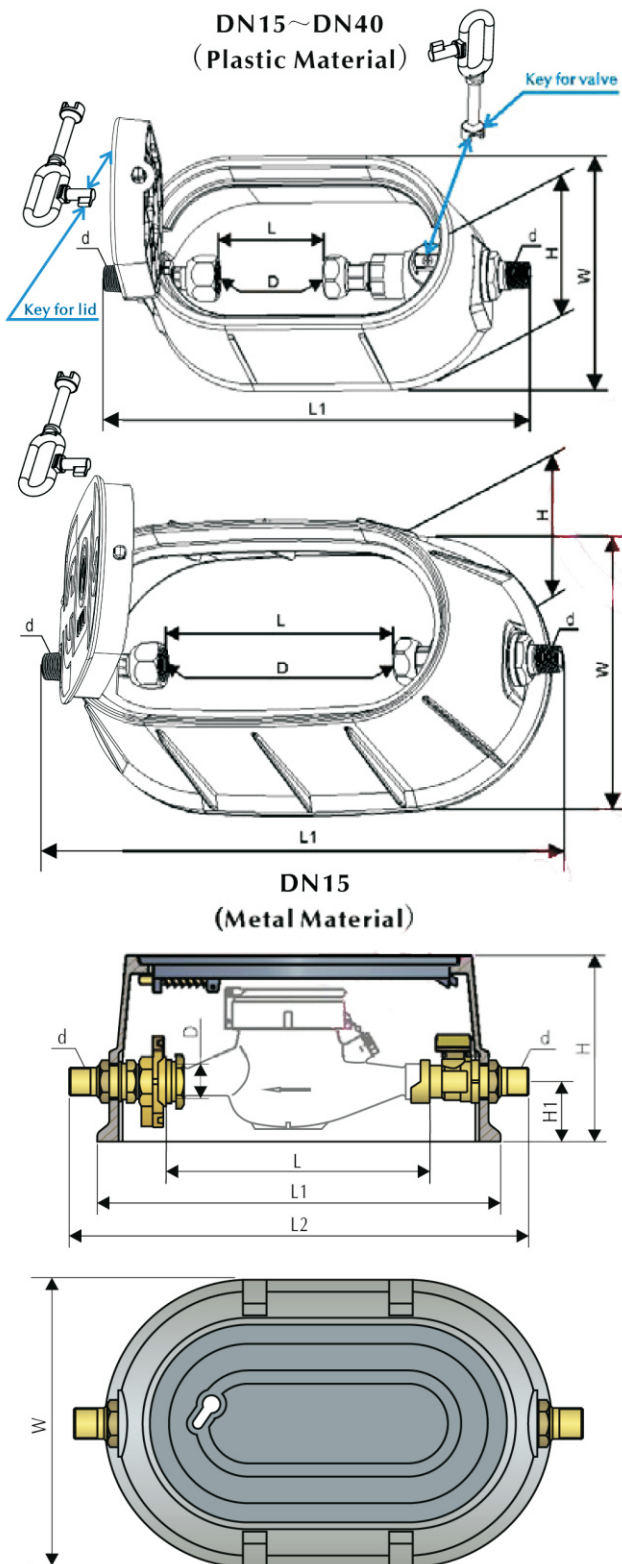
Working Conditions

- Environment temperature: $\leq 50^{\circ}\text{C}$
- Water pressure: $\leq 1.6\text{ MPa}$

Installation Requirements

- The meter should be installed in horizontal position with the register face upwards
- Pipeline must be flushed before installation
- The meter should be constantly full of water during operation

Dimension Picture



Technical Characteristics

Dimensions and Weights

Nominal diameter	DN	15	20	25	40
Body thread	D	G3/4B	G1B	G1½B	G2B
Connector thread	d	R1/2	R3/4	R1	R1½
Body length	mm	L	110/115/165	130	160
Overall length	mm	L1	340	342	454
Width	mm	W	151.5	151.5	206
Meter box height	mm	H	186	156	166
Weight without connectors	Kg		1.2	1.2	2.52
Weight with connectors	Kg		1.55	1.6	3.35

"L1" is the total length when coupling gaskets without compression.

Nominal diameter	DN	15	20		
Body thread	D	G3/4B	G1B		
Connector thread	d	R1/2	R3/4		
Body length	mm	L	165/170/190	160/190	
Overall length	mm	L1	386	388	
Width	mm	W	203	203	
Meter box height	mm	H	187	187	
Weight without connectors	Kg		1.76		
Weight with connectors	Kg				

"L1" is the total length when coupling gaskets without compression.

Nominal diameter	DN	15
Body thread	D	G3/4"
Connector thread	d	R1/2
Water meter length	L	190
Box frame length	L1	304
Total length	L2	345
Box frame width	W	197
Box frame height	H	140
Central height	H1	45

Part Name	Weight(Kg)
Frame	4.0
Cover	1.65
Ball valve	0.31
Meter box	6.40

"L2" is the total length when coupling gaskets without compression.

Installation request

The meter must be installed with the direction of the flow as indicated by the arrow cast in the meter body.