



Brilliant Engineering Works

ISO 9001:2008 Certified Company



D/6 SAIKRIPA SOCIETY NETAJI NAGER HILL NO 3 OPP.SHARMA HIGH SCHOOL SAKINAKA MUMBAI 400072.

www.brilliantengineering.in

www.brilliantengineering.net

email: marketing@brilliantengineering.in

info@bewfire.com

FOAM WATER MONITOR (MODEL NO. BEW/FM/ 5391)



BRILLIANT ENGINEERING WORKS
Manufacturer of Fire Fighting Equipments





www.bewfire.com

Skype : gchauhan14

FOAM WATER MONITOR WEIGHT.

Turret .	27.00 kg.
Jet Spray Nozzle.	4.70 kg.



Brilliant Engineering Works

ISO 9001:2008 Certified Company



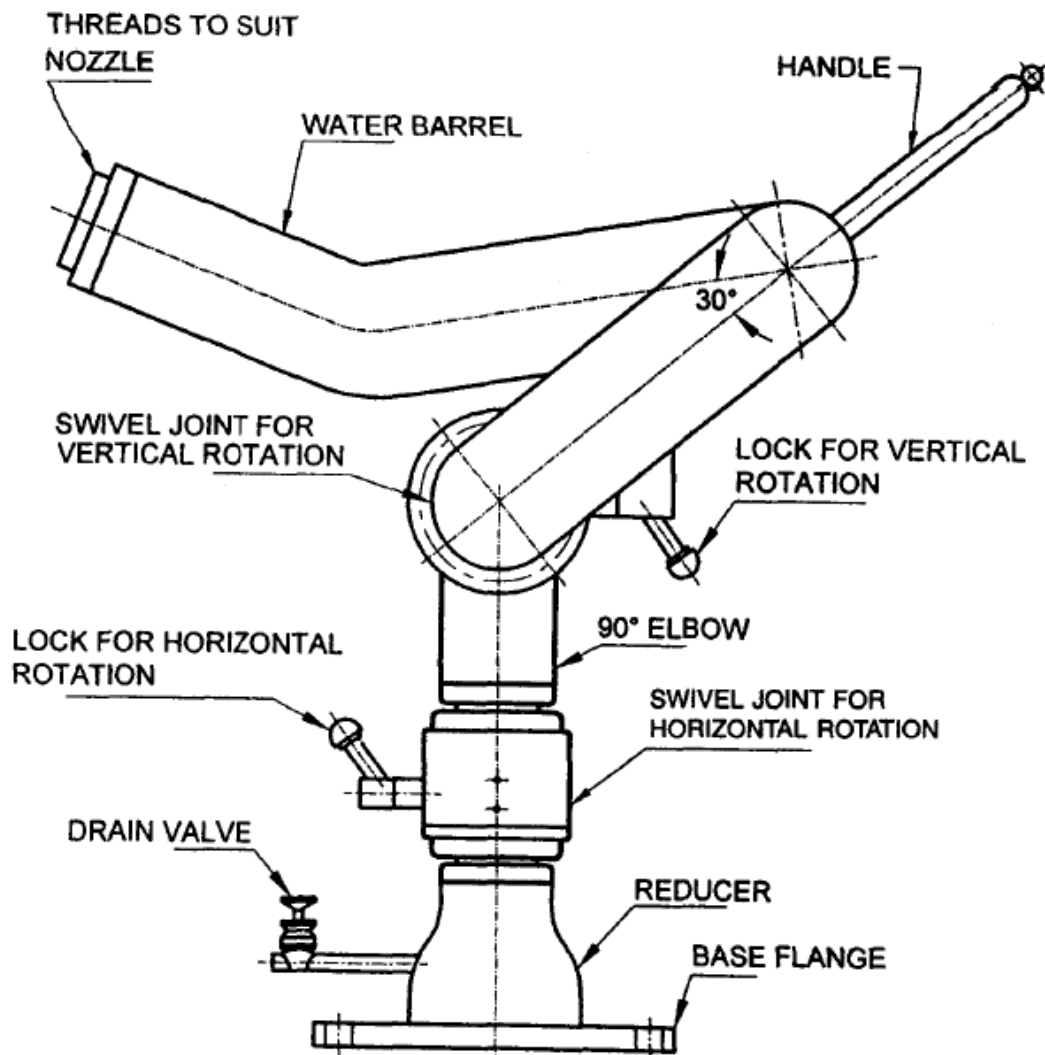
D/6 SAIKRIPA SOCIETY NETAJI NAGER HILL NO 3 OPP.SHARMA HIGH SCHOOL SAKINAKA MUMBAI 400072.

www.brilliantengineering.in

www.brilliantengineering.net

email: marketing@brilliantengineering.in

info@bewfire.com



DETAIL OF WATER MONITOR IS:8442

SIZE INLETE 100MM OUTLET 63MM (MODEL NO. BEW/FM/5391)



Brilliant Engineering Works

ISO 9001:2008 Certified Company



D/6 SAIKRIPA SOCIETY NETAJI NAGER HILL NO 3 OPP.SHARMA HIGH SCHOOL SAKINAKA MUMBAI 400072.

www.brilliantengineering.in



www.brilliantengineering.net

email: marketing@brilliantengineering.in

info@bewfire.com



BRILLIANT ENGINEERING WORKS
Manufacturer of Fire Fighting Equipments





The image shows a fire fighting nozzle assembly. It consists of a black cylindrical nozzle body with a silver top cap. A blue braided hose is attached to the side. The nozzle has a black handle and a brass fitting. The text 'AQUA FOAM NOZZLE' and 'BRILLIANT' is visible on the nozzle body.

www.bewfire.com

Skype : gchauhan14

AQUA FOAM NOZZLE . JET 50 MTR FLOW 2250LPM

MOC. LIGHT WEIGHT AL HARD ANOZLED .



Brilliant Engineering Works

ISO 9001:2008 Certified Company



D/6 SAIKRIPA SOCIETY NETAJI NAGER HILL NO 3 OPP.SHARMA HIGH SCHOOL SAKINAKA MUMBAI 400072.

www.brilliantengineering.in

www.brilliantengineering.net

email: marketing@brilliantengineering.in

info@bewfire.com

DATA SHEET

1. NOMINAL BORE SIZE . 63MM (2 1/2")
2. INLET FLANGE. . 100 MM (4")
3. OUT LET . 63MM MALE THREAD
4. MAXIMUM FLOW . APROX 2250 TO 2500LPM.
5. VERTICAL ROTATION . -35DEGREE + 85 DEGREE
6. HORIZONTAL ROT. . 360 DEGREE
7. FOAM SUCTION . 3 % TO 6% BY CONTROL VALVE
8. PICK UP TUBE . 3 METR WITH STRAINER
9. BOTH ROATION. . MANUAL LOCK
10. WORKING PRESS. . 7.5 KG/CM2
11. TESTING PRESSURE. 32.0 KG/CM2
12. COLOR . FIRE RED.

