



Brilliant Engineering Works

ISO 9001:2008 Certified Company



D/6 SAIKRIPA SOCIETY NETAJI NAGER HILL NO 3 OPP.SHARMA HIGH SCHOOL SAKINAKA MUMBAI 400072.

www.brilliantengineering.in

www.brilliantengineering.net

email: marketing@brilliantengineering.in

info@bewfire.com

DCP MONITOR (MODEL NO. BEW/DM064/SR.NO. 165)



DPC MONITOR SIZE 40MM (1 1/2") MOC. SS 304 / SS 316 / CARBON STEEL



Brilliant Engineering Works

ISO 9001:2008 Certified Company



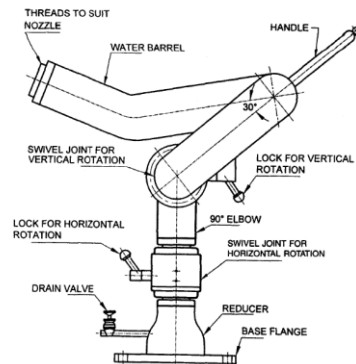
D/6 SAIKRIPA SOCIETY NETAJI NAGER HILL NO 3 OPP.SHARMA HIGH SCHOOL SAKINAKA MUMBAI 400072.

www.brilliantengineering.in

www.brilliantengineering.net

email: marketing@brilliantengineering.in

info@bewfire.com



DETAIL OF DCP MONITOR IS:8442

SIZE INLETE 40MM OUTLET 40MM (MODEL NO. BEW/DM064/SR. 0165)



Brilliant Engineering Works

ISO 9001:2008 Certified Company



D/6 SAIKRIPA SOCIETY NETAJI NAGER HILL NO 3 OPP.SHARMA HIGH SCHOOL SAKINAKA MUMBAI 400072.

www.brilliantengineering.in

www.brilliantengineering.net

email: marketing@brilliantengineering.in

info@bewfire.com

DATA SHEET

1. NOMINAL BORE SIZE . 40MM (1 1/2")
2. INLET FLANGE. . 40MM /50MM
3. OUTLET . 1 ½"MM MALE THREAD
4. DISCHARGE CAPACITY . 3- 10KG/POWDER /SEC
5. VERTICAL ROTATION . -35DEGREE + 85 DEGREE
6. HORIZONTAL ROT. . 360 DEGREE
7. BOTH ROATION. . MANUAL LOCK
8. WORKING PRESS. . 7.5 KG/CM²
9. TESTING PRESSURE. . 32.0 KG/CM²
10. COLOR . NATURAL