



Brilliant Engineering Works

ISO 9001:2008 Certified Company

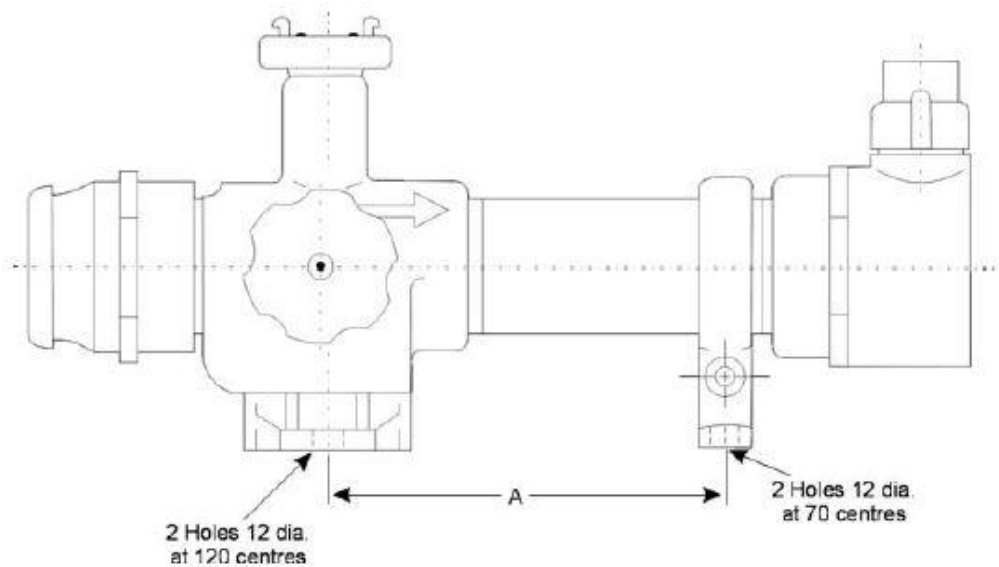


www.brilliantengineering.in

www.brilliantengineering.net

email: marketing@brilliantengineering.in

1) FOAM MIX EDUCTOR 250 LPM



SPECIFICATION OF FOAM MIX EDUCTOR 250 LPM

DIMENSION IN MM	FOR 250 LPM
OVER ALL LENGTH	390
OVER ALL HEIGHT	190
MAX WIDTH	165
DIMENSION A	ADJUSTABLE 290 MAXIMUM
APPROX WEIGHT	4.2 KG
MATERIAL : ALUMINIUM ALLOY	



Brilliant Engineering Works

ISO 9001:2008 Certified Company



www.brilliantengineering.in

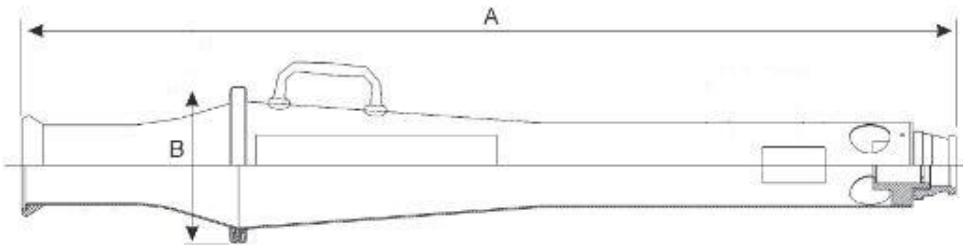
www.brilliantengineering.net

email: marketing@brilliantengineering.in



250 LTR FOAM TROLLY

2) FOAM MAKING BRANCH PIPE 250 LPM



SPECIFICATION OF FOAM MAKING BRANCH PIPE 250 LPM:

SPECIFICATION		FOR 250 LPM
OVER ALL LENGTH	A	780 MM
BODY DIAMETER	B	130 MM
APPROX WEIGHT		1.8 KG
MATERIAL: LIGHT ALUMINIUM ALLOY BODY IN YELLOW THERMOPLASTIC POWDER PAINT.		

FOAM NOZZLE