



Brilliant Engineering Works

ISO 9001:2008 Certified Company



www.brilliantengineering.in

www.brilliantengineering.net

email: marketing@brilliantengineering.in

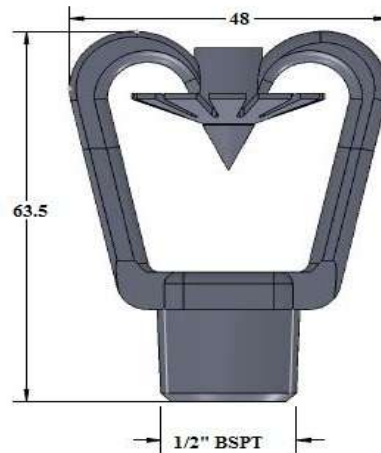
PRODUCT NAME: MEDIUM VELOCITY SPRAY NOZZLE

MODEL NO. : BEW/250

MATERIAL : BRASS CHROME PLATED OR SS 304

HSN CODE. 8424 9000

PRODUCT IMAGE:-





Brilliant Engineering Works

ISO 9001:2008 Certified Company



www.brilliantengineering.in

www.brilliantengineering.net

email: marketing@brilliantengineering.in

TECHNICAL SPECIFICATION:-

- END CONNECTION : ½" BSPT
- SPRAY ANGLE : 120°, 110°, 100° & 90°
- HSN CODE. : 8424 9000
- K- FACTOR : K-18, K-22, K-30, K-35, K-41, K-51, K-64, K-79
- FINISH: NATURAL BRASS CHROME PLATED
STAINLESS STEEL ELECTROPOLISHED (SS304)

