



Brilliant Engineering Works

ISO 9001:2008 Certified Company



D/6 SAIKRIPA SOCIETY NETAJI NAGER HILL NO 3 OPP.SHARMA HIGH SCHOOL SAKINAKA MUMBAI 400072.

www.brilliantengineering.in

www.brilliantengineering.net

email: marketing@brilliantengineering.in

JUMBO WATER CURTAIN (MODEL NO. BEW/JWC)



TYPE.	WATER CURTAIN NOZZLE.
FLUID.	ALL TYPE OF WATER .
PRESSURE.	18 KG/cm ² MAX. AND 7.0 KG/cm ² MIN.
FLOW RATE.	500 TO 8000 AS PER CHART.
WATER SPRAY RANGE.	15 MTR TO 40 MTR. HORIZONTAL. AND 7.0 MTR TO 14 MTR . VERTICAL.AS PER CHART.
INLATE CONECTION.	65 NB TO 200 NB-ANSI B 16.5 ON FLAT FACE TYPE 300 CLASS. AS PER CHART.
MOC.	IS:318, LTB-II / SS 316 / COBAN STEEL/ AL ALLOY.
HYDRO TEST.	21 KG/cm ² .
FLOW	500 LPM TO 8000 LPM (AT 7 KG/CM ²). AS PER CHART.
PAINT. SPEC.	2 COATS OF ANTI COROSIVE FIRE RED PAINT AS PER IS:2932 AND SHADE NO. 641 OF IS:5 DOUBLE COAT RED OXIDE ZINK CHROMATE PRIMER. AND NATURAL FINISH IN S STEEL.



Brilliant Engineering Works

ISO 9001:2008 Certified Company



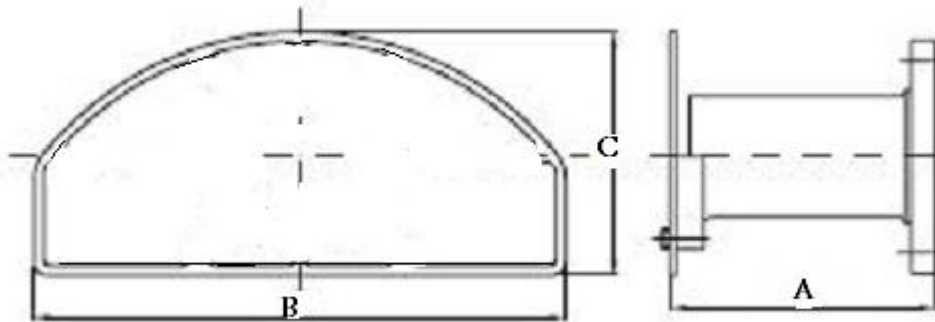
D/6 SAIKRIPA SOCIETY NETAJI NAGER HILL NO 3 OPP.SHARMA HIGH SCHOOL SAKINAKA MUMBAI 400072.

www.brilliantengineering.in

www.brilliantengineering.net

email: marketing@brilliantengineering.in

info@bewfire.com



TECHNICAL DIMENTIONS

SIZE NB	LENTTH A	WITDTH B	HIGHT C
65 MM	250 MM	400 MM	200 MM
80 MM	255 MM	425 MM	205 MM
100 MM	255 MM	450 MM	220 MM
150 MM	260 MM	500 MM	230 MM
200 MM	300 MM	525 MM	240 MM

DETAIL OF JUMBO WATER CURTAIN NOZZLE



Brilliant Engineering Works

ISO 9001:2008 Certified Company



D/6 SAIKRIPA SOCIETY NETAJI NAGER HILL NO 3 OPP.SHARMA HIGH SCHOOL SAKINAKA MUMBAI 400072.

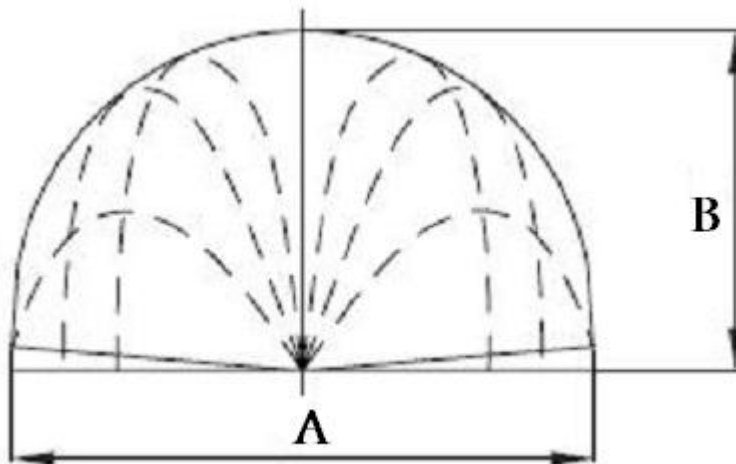
www.brilliantengineering.in

www.brilliantengineering.net

email: marketing@brilliantengineering.in

info@bewfire.com

JUMBO WATER CURTAIN (MODEL NO. BEW/JWC)



APROXIMATE WATER CURTAIN COVERAGE

FLANGE SIZE	FLOW /LPM	A	B
ANSI B 16.5 FLAT FACE TYPE 300 CLASS	7 KG /CM2	MTRS	MTRS
65 MM (2 1/2")	1000	15	7
80 MM (3")	2000	26	12
100 MM (4")	3000	30	13
150 MM (6")	6000	40	14
200 MM (8")	8000	42	15