

SOLENOID VALVES

5/2 - PILOT OPERATED-COMPACT SERIES

TYPE : SS 252

SINGLE SOLENOID SPRING RETURN WITH MANUAL OVERRIDE

Application

When the voltage supply is given to the solenoid it is energised & the valve is actuated. It remains actuated until the solenoid is de-energised & returns to normal position by spring force.

FOR DRY OR LUBRICATED AIR & INERT GASES.

Ordering References

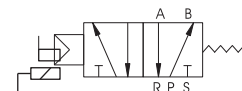
Airmatic



Port Sizes	Sectional Area in mm ²	Flow Factor		Power Consumption			MODEL / REF NO						
				DC in watts	AC in VA		Valve #	Net Weight (Kg)	Gross Weight (Kg)	Coil	Plug	VOLTAGE AC / DC	
					Pull	Hold							
		Lit / Min	CV										

MODEL :- 252

Aluminium Body



G 1/8	12	800	0.67	2.5W	6VA	3VA	SS252-01008-A-N	0.115	0.130	EF	PEL	12
G 1/4	16	1100	0.89	12V - 3W	24V - 7.0	5.5VA	SS252-02-008-A-N	0.205	0.230	DF	PD	24
G 3/8	30	2000	1.67		110V-5.0	5.5VA	SS252-03-008-A-N	0.285	0.320		PDL	110
G 1/2	50	3300	2.79	24V - 3W	220V-4.0	5.5VA	SS252-04-008-A-N	0.500	0.535			220

* Contact our sales department for manifold details.

Material Specification

Body	Aluminium optional Brass
Internals	Aluminium
Sealing Disc	Standard Nitrile Optional Viton

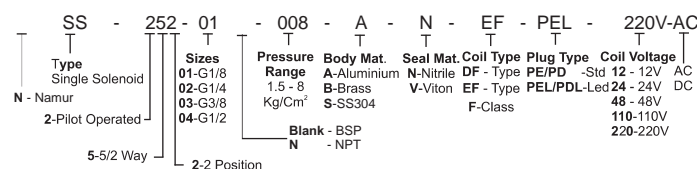
Technical Specification

RESPONSE TIME	0.05 Sec.	
MAX.WORKING FREQUENCY	3 to 5 Cycles / Sec.	
VOLTAGE FLUCTUATION	+/-10%	
ELECTRICAL CONNECTION	DIN PLUG CONNECTION	
PLUG CONNECTOR	PD/PE	STANDARD PLUG (43650C) For PE
	PDL/PEL	STANDARD PLUG WITH LED (43650B) For PD
DUTY CYCLE / INSULATION	100% / CLASS F-STANDARD	
DEGREE OF PROTECTION	STANDARD IP 65 (PIN 40050)	

Condition of use

Minimum Operating Pressure	1.5 Kg/Cm ²
Maximum Operating Pressure	8 Kg/Cm ²
Max. Operating Temp.(ambient)	5 - 50°C

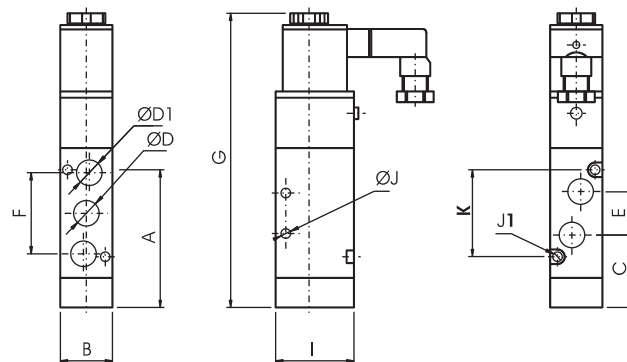
Model Ordering Code Instruction



ORDER CODE : SS252-01-008-A-N-EF-PEL-220 VAC.

Dimensions

TYPE : SS252



MODELS	DIMENSIONS (mm)											WEIGHTS KGS	
	A	B	C	D	D1	E	F	G	H	I	J/J1		K
SS 252-01	42.2	18	20.2	G1/8	G1/8	16	28	98	14	27	3.3	30	0.12
SS 252-02	50.5	22	21.2	G1/4	G1/8	21	36	116.5	20	35	4.3/3.2	38	0.22
SS 252-03	62.5	27	28	G3/8	G1/4	24	45	135	24	40	4.3	50	0.31
SS 252-04	88	34	39	G1/2	G1/2	36	63	168	28	50	5.5	72	0.59

DIMENSIONS ARE IN MM.

Shah Pneumatics

Regd. Office : 28-30, Navketan Industrial Estate, Mahakali Caves Road, Andheri (East), Mumbai - 400 093, INDIA.

Phone : +91-22-6695 1090 Fax : +91-22-26875317

E-mail : shahpneu@bom3.vsnl.net.in

Website : www.shah-pneumatics.com

SOL. VALVE-5-2-P-COMPACT-SS252-CAT.