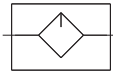


AIR LINE LUBRICATORS

STANDARD SERIES SERVICE : AIR



Lubricators

- High performance over wide flow range
- Rate of lubrication is automatically proportioned to air flow eliminating re-Adjustment

Technical Data

Material Specification

Body	Diecast Zinc or Aluminium Alloy	
Bowl	Plastic	Polycarbonate
	Metal	Diecast Aluminium Alloy
Sight Glass	Polycarbonate	

Ordering Reference

SIZES	G1/4	G3/8	G1/2	G3/4	G1	G1.1/4	G1.1/2	G2
Tran Bowl	A 606-02	A 606-03	A 606-04	A 606-06	A 606-08	A 606-10	A 606-12	A 606-16
Metal Bowl	A 607-02	A 607-03	A 607-04	A 607-06	A 607-08	A 607-10	A 607-12	A 607-16
Capacity *	240	240	240	540	540	540	540	540
Flow in SCFM	50	70	100	240	300	400	450	450

Bowl Capacity in ml.

* Good for Polycarbonate Bowl.

Service Kits

SIZE	G1/4 - G1/2	G3/4 - G2
Service Kits	SL-O	SLA-O
Bowl Replacement Kit	Poly.	SLA-12W
	Metal	SFA-03
	Metal With SG	SFA-03SG
		SFLB-09SG
Needle Valve Assy. Kit	SLA-06	SLA-06
Fill Plug Kit	DSL-023	DSL-023

Performance Data

Supply Pressure	2 Psi Drop			4 Psi Drop			
	50	75	100	50	75	100	
Flow in CFM	(G1/4) - (G3/8)	13	14	16	23	25	29
	(G1/2)	23	28	35	55	65	75
	(G3/4) - (G1)	8	10	15	200	235	280
	(G1.1/2) - (G2)	25	30	35	275	330	400

Model Ordering Code Instruction

A606	-	04	-	-	-	SG
Model-Std.Lubricator		Sizes				Blank-Std. (Metal Bowl)
A606 - Polycarbonate Bowl		02 - G1/4 03 - G3/8 04 - G1/2 06 - G3/4 08 - G1 10 - G1.1/4 12 - G1.1/2 16 - G2		Conn. Blank - BSP N - NPT		Blank-Std. SG-Sight Glass (Metal Bowl)
A607 - Metal Bowl					Bowl Capacity Blank - Standard 1 - 1 Liter 8 - 8 Liter 23 - 23 Liter	

Oil Viscosity Limitations

Not over 800 SSU (SAE # 30 not under 85 F)

Airmatic



Poly. Bowl



Metal Bowl

Condition of use

	Polycarbonate Bowl	Metal Bowl
Max. Supply Pressure	12 Kg/cm ²	18 Kg/cm ²
Max. Op. Temp.	50°C	70°C

Minimum air flow - CFM Lubrication

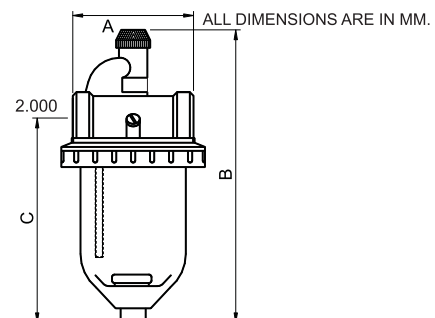
Supply Pressure-psi	(G1/4)-(G3/8)-(G1/2)	(G3/4)-(G1)
25	0.7	1.5
50	0.9	2.0
75	1.1	2.5
100	1.3	3.0

Options

	SUFFIX
Sight Glass (Metal Bowl)	SG
One Liter Bowl	1
8 Liters Bowl	8
23 Liters Bowl	23

Dimensions & Weights

SIZE	G ¼ - G ½		G ¾ - G 1"		G 1¼ - G 1½		G 2"		
	Plastic	Metal	Plastic	Metal	Plastic	Metal	Plastic	Metal	
Bowl Type									
A	82	128	128	128	120	120	145	145	
B	202	344	260	344	272	375	286	383	
C	144	267	186	267	200	280	212	290	
Net Wt. (Kg)	G ¼	0.995	1.240	¾ 1.315	1.700	1¼ 1.790	2.370	2.195	2.775
	G 3/8	0.990	1.235	1 1.360	1.940	1½ 1.730	2.310		
	G ½	0.975	1.210						
Gross Wt. (Kg)	G ¼	1.090	1.335	¾ 1.520	2.100	1¼ 2.060	2.640	2.455	3.015
	G 3/8	1.085	1.330	1 1.565	2.145	1½ 2.000	2.580		
	G ½	1.065	1.305						



STD LUBRICATOR CAT.