

PVC FOAM BOARD

WPC FOAM BOARD

WPC SOLID DOOR



Axardeep[®]
An ISO 9001:2015 Certified Company

AXARDEEP POLYMERS PVT LTD

Plot No. : 39, G.I.D.C. - POR, Ramangamdi Ind. Estate, N.H. No. - 8, Por - 391243, Dist. Vadodara (Gujarat) INDIA.
E-mail : axardeep@gmail.com | Web : www.axardeeppolymers.com | Tel. : 0265 - 283 0257



About AXARDEEP

Established in year 2010, we "Axardeep Polymers Pvt. Ltd." are well-renowned Manufacturer & Supplier of PVC Form Board, WPC Foam Board, WPC Solid Door. The entire range of board are manufactured by our skilled and diligent professionals who have immense expertise in their concerned field with the help of top grade polyvinyl chloride and the latest methodology in order to assure their superior quality. The polyvinyl chloride used to manufacture these boards that are procured from reliable and certified vendors of the industry in tandem with the international standards of quality.



OFFICE FURNITURE

**India's No. 1
QUALITY PRODUCT**



KITCHEN

THE WORLD CLASS ECO FRIENDLY PRODUCTS

A large number of trees are getting cut to fulfill the global demand of wood in various applications which cause damage to the environment and the world will face serious ecological imbalances in the near future. Our Company was established with sole purpose of minimize the usages of wood and serving mother earth by providing best alternative of Plywood. Our product is widely used in construction, automobile manufacturing, furniture, decoration, advertising production, exhibition signs, city environmental protection, tourism and other industries. PVC Foam Boards are manufactured using light weight foamed PVC which is also an Eco-Friendly product that are Fire Retardant, Water & Moisture Proof, Termite & Pest Proof, Corrosion & Chemical Resistant. Our products are quality tested austerly by our quality control professionals to make sure that they are 100% flawless.

INTERIOR APPLICATION

- Modular kitchen
- Partitions
- Wardrobe & Bed
- Home & Office furniture
- Bathroom cabinet
- Ceiling Solution
- Wall Paneling
- Hospital Furniture
- Laboratory Furniture

EXTERIOR APPLICATIONS

- Construction
- Shuttering Boards
- Exterior Wall Cladding
- Garden Furniture & Fencing
- Pre fabricated house

SIZE AND THICKNESS

Standard Size :
1220mm X 2440mm
Thickness :
5mm to 25mm
(Special size available
on MOQ)

WPC SOLID DOOR

Thickness :
25mm, 28mm & 30mm



PVC FOAM BOARD



WPC FOAM BOARD



WPC SOLID DOOR



CNC CUT DESIGN



LOBBY AND FRONT DESK

CHARACTERISTICS



100% Water proof



100% Termite Proof



Fire Retardant



Light weight & Strong



100% Recyclable



No Shrinking or Swelling



Maintenance Free



High Density



Easy Installation

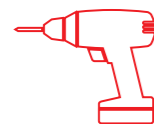


Create Multiple Designs

RECOMMENDED TOOLS



1.5" - 2" screws



Drilling Machine



Silicon based adhesive for PVC/WPC Board to Laminate (ex Heatex)



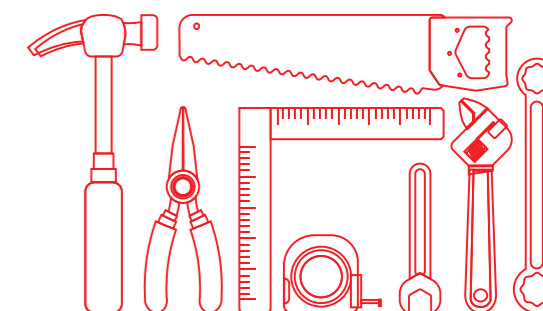
Wax Filler



Cement Solvent Adhesive (Pvc/Wpc to Pvc/Wpc)

USE CONVENTIONAL TOOLS

Pvc/Wpc Foam Board doesn't required special tools to work with Conventional carpenters tools with suffice.



CHARACTERISTIC	PVC / WPC BOARD	PLYWOOD	MDF	PARTIDE BOARD
Water & Moisture Proof	✓	✗	✗	✗
Termite & Pest Proof	✓	✗	✗	✗
No Shrinking or Swelling	✓	✗	✗	✗
Fire Retardant	✓	✗	✗	✗
Borer Proof	✓	✗	✗	✗
Corrosion Resistance	✓	✓	✓	✓
Sprinter Free	✓	✗	✗	✗
Maintenance Free	✓	✗	✗	✗
Environment Friendly	✓	✗	✗	✗
Smooth Surface	much more smoother	much more smoother	much more smoother	much more smoother
Outdoor Adaptability	✓	✗	✗	✗
Gluing & Lamination	✓	✓	✓	✓
Weather & Ageing Resistant	✓	✗	✗	✗

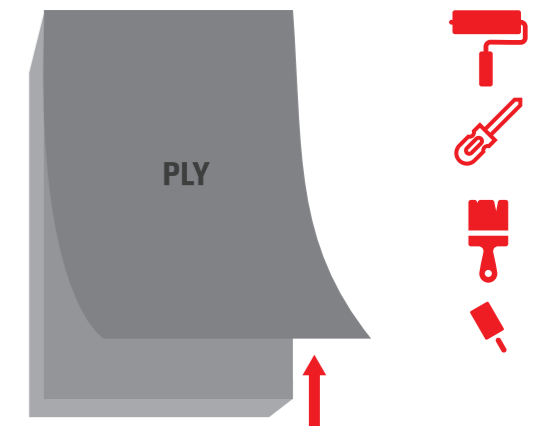


HOSPITAL



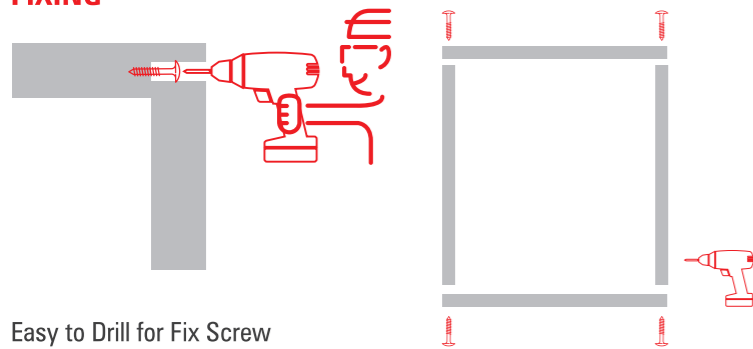
DOORS

LAMINATION



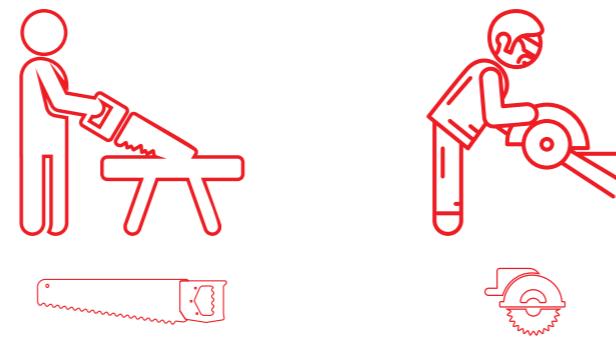
- The lamination process is same as plywood; only keep a few things in mind.
- Glue must be applied in one direction.
- Heat-resistant runner-based adhesives to be used for gluing.
- Examples Heatex from Pidilite/3M silicon laminating tapes.
- Before pasting laminate make the surface of the sheet rough.
- After pasting laminate on surface of Pvc/Wpc Board, the edges needs to be filled with Cement Solvent Adhesive.

FIXING



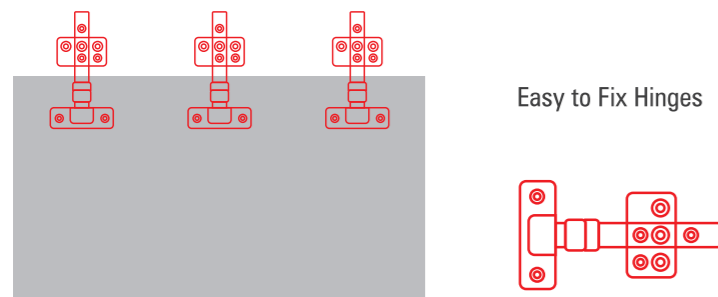
Easy to Drill for Fix Screw

CUTTING



Easy to Cut With Saw & Electric Saw

HINGES



Easy to Fix Hinges

HOME FURNITURE

