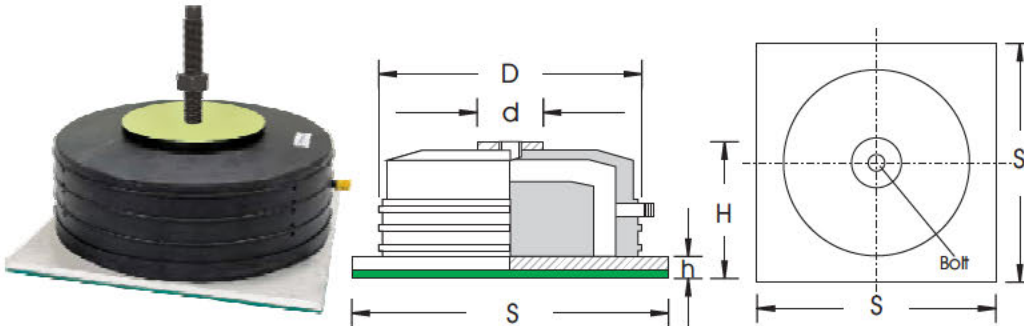


RUBBER AIR SPRINGS, Series DRAS



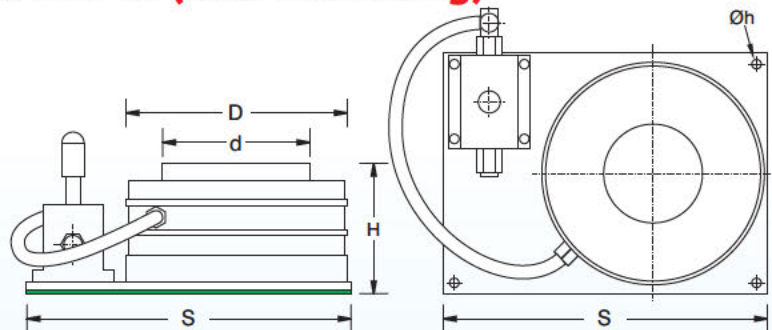
Dynemech Rubber Air Springs provide highly effective insulation of machines against low frequency vibration/impact. The element offers a vertical natural frequencies between 2.5 to 6.0 Hz*. The component has vertical to horizontal stiffness ratio of approximately one. Suited for both active and passive vibration control.

Model	Load Kg/pc	Max. Pressure Bar	S mm	D mm	H App. mm	d mm	h mm	Bolt
DRAS1	25 60	3	88	84	64	41	6	M10
DRAS2	80 300	5	125	123	67	80	6	M12
DRAS3	270 800	6	182	174	85	100	6	M16
DRAS4	650 1500	6	252	250	105	127	8	M16
DRAS5	1200 3400	6	370	357	105	200	8	M20
DRAS6	3000 6500	6	500	480	110	315	8	M20

* Depending upon the pressure required to support the load.

Applications : Active isolation of high speed Power Presses, Textile Machines, Vibration Test Rigs, Engine Test Beds, Blowers etc. and Passive Insulation of Measuring & Testing Machines/Equipments, High Precision Grinding/Polishing Machines, Surface Plates, Spectrometers etc.

RUBBER AIR SPRINGS, Series DLPM (Self Levelling)



A complete Dynemech DLPM system consists of three master pneumatic isolators for 3 point precision leveling. Each pneumatic damping isolator consists of a leveling valve which is the load sensing and height controlling element. Systems are supplied with automatic height control valves, tubing and all other pneumatic accessories necessary for complete system installation. Dynemech DLPM Mounts have minimal setting time.

Isolation Characteristics : Natural Frequency for the Pneumatic Isolator Vertical 4-6 Hz

Damping: Vertical (Adj.) 6% 20%, Horizontal 5% 6%

Leveling Accuracy of ± 0.15 mm/m and ± 0.015 mm/m is available.

Model	Load Kg/pc	Max. Pressure Bar	S mm	D mm	H App. mm	d mm	h mm	Bolt
DLPM1	25 60	3	88x138	84	64	41	6	M10
DLPM2	80 300	5	125x175	123	70	80	6	M12
DLPM3	270 800	6	182x232	174	88	100	6	M16
DLPM4	650 1500	6	252x302	250	108	127	8	M16
DLPM5	1200 3400	6	370x420	357	111	200	8	M20
DLPM6	3000 6500	6	500x550	480	114	315	8	M20