

PRECISION LEVELLING MOUNTS - Series VHS



VHS Festofix Leveling Wedge Mounts are useful in leveling and aligning machinery to very strict tolerances and make it possible to vary adjustments at any time, even under maximum loads requiring only a small hand wrench to adjust. These mounts provide the most rigid machine to foundation connection. The 3 piece wedge design provides true vertical lift and eliminates lateral movement as machines are raised or lowered.

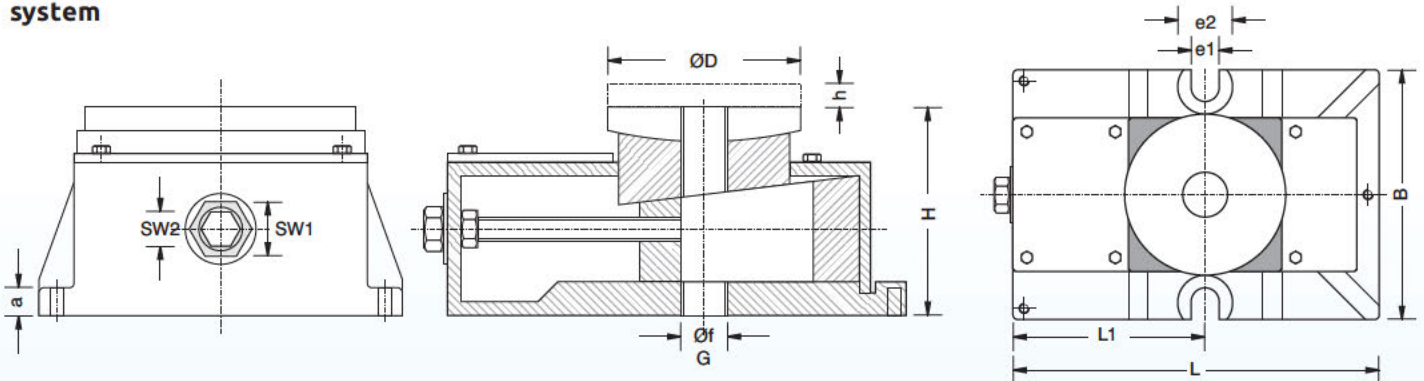
Benefits include:

- Built in compensation for uneven areas in foundations and machine bases.
- Time consuming work and production losses normally associated with alignments are eliminated.

SOPHISTICATED SYSTEM DESIGN

Though VHS Series mounts are similar in appearance to conventional wedge type leveling equipment, they differ significantly in concept and application. Alignment adjustments are made after anchor nuts have been tightened. In this way, the anchor bolts are tightened uniformly to predictable stress levels by adjusting the VHS Festofix mount basic unit upward prior to the final alignment procedure eliminating the customary torquing of anchor nuts. This gives substantial savings in time and effort normally required for the installation of sophisticated machine tools.

These benefits make the VHS Series Festofix Levelling Wedges the "state-of-the-art" anchoring/alignment system



Model	Recommended Load (Kg/pc)	Max. Load (Kg/pc)	L mm	L1 mm	B mm	H mm	D mm	h mm	f mm	G	a mm	SW1	SW2	e1	e2
VHS I	1000	9000	170	91	108	60	75	5	17	M12	12	19	10	12.7	26
VHS II	2000	12000	175	93	120	75	75	5	21	M20	15	19	10	12.7	26
VHS III	4000	24000	220	118	150	98	88	6	25	M24	23	19	10	18.0	32
VHS IV	6000	36000	280	160	180	116	105	8	31	M30	25	32	18	24.0	38
VHS V	12000	70000	350	180	230	138	145	10	37	M36	35	32	18	28.0	46

Applications : For the Levelling, Adjustment & Fixation of Large Machinery and other Heavy Equipment like Boilers, Turbines, Generators, Long bedded lathes etc.

Note : Please select dimensions 'G' or 'f' at the time of order.