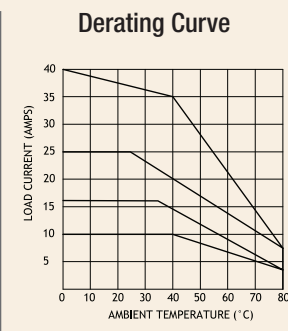
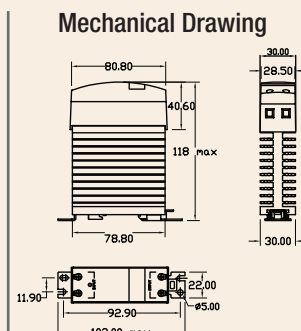
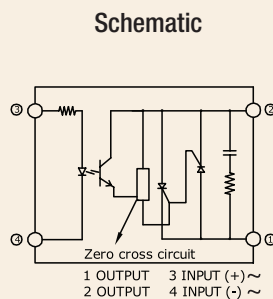


Series: DIN 30D

**Din Ready SSR (240VAC)
10~40Amps**

INPUT : DC Control
OUTPUT : SCR



Salient Features

- Zero Switching / Random Switching
- Transient over Voltage Protection (Optional)
- LED Indicator Showing Relay "ON" Status
- IP 20 Protection
- Opto Isolation 4000 VAC
- Built - In Snubber
- Connecting Terminals Layout as Contactor or SSR Standard

ELECTRICAL SPECIFICATION @ TA = 25°C			NOTE: FOR RANDOM T-ON SSR, ADD LETTER 'KD' IN PLACE OF 'D'			
PARAMETER	SYMBOL	UNIT	PRODUCT PART NUMBERS			
			DIN 30D 241000	DIN 30D 241600	DIN 30D 242500	DIN 30D 244000

INPUT

PARAMETER	SYMBOL	UNIT	DIN 30D 241000	DIN 30D 241600	DIN 30D 242500	DIN 30D 244000
Control Voltage Range		Vdc	3-32	3-32	3-32	3-32
Control Current Range		mA	8-30	8-30	8-30	8-30
Pick-up Voltage		Vdc	3.0	3.0	3.0	3.0
Drop-out Voltage		Vdc	1.0	1.0	1.0	1.0
Input Resistance		KOhms	1.0	1.0	1.0	1.0

OUTPUT

PARAMETER	SYMBOL	UNIT	DIN 30D 241000	DIN 30D 241600	DIN 30D 242500	DIN 30D 244000
RMS on state Current	IT	A	10	16	25	40
Mains Control Voltage	Vrms	Vac	24-240	24-240	24-240	24-240
Peak Off state Voltage	Vdrm	Vpk	600	600	600	600
Peak one cycle surge Current (Non-Rep)	ITSM	A	200	200	800	800
On state Voltage Drop	VTM	Vac	1.6	1.6	1.6	1.6
Off state Leakage current	ldrm	mA	5	5	5	5
Zero T-On Voltage		Vpk	25	25	25	25
Critical Rate of Rise Off State Voltage	dv/dt	V/μs	500	500	500	500
Holding Current	IH	mA	100	100	80	80
Fusing Current	I²T	A²s	144	144	3745	3745
Turn-On [Zero/ Random]	T-On	ms	10/0.1	10/0.1	10/0.1	10/0.1
Turn-Off [Zero/ Random]	T-Off	ms	10	10	10	10
Frequency Range	f	Hz	47~63	47~63	47~63	47~63
Operating Temp	T Oper	°C	-30 to +80	-30 to +80	-30 to +80	-30 to +80

