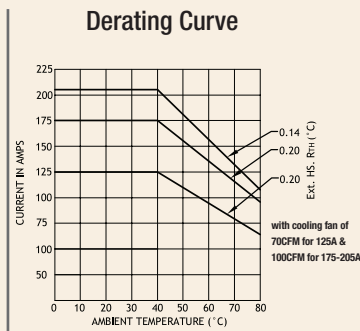
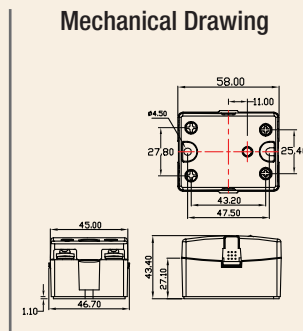
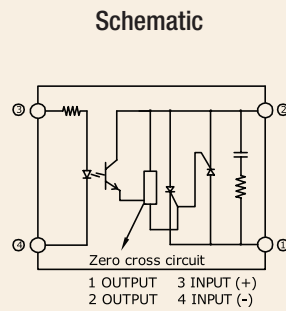


# Series: 020 SJ/K

**Single Phase SSR (480~660VAC)  
125~205Amps**

INPUT : DC Control  
OUTPUT : Direct Copper Bonded Back-to-Back SCR 125~205Amps)



## Salient Features

- Opto Isolation 4000 VAC
- Zero Voltage Turn On/Random Turn On
- Reverse Voltage Protection
- TTL/CMOS Compatible (Sink mode)
- Output : NO Configuration
- Safety cover provision
- Built-In Snubber
- Higher load cycle resistance
- High thermal cycling capacity
- High Fusing current
- Chassis Mountable / DIN Mountable with Integral heat sink.

ELECTRICAL SPECIFICATION @ TA = 25°C			NOTE: FOR RANDOM T-ON SSR, ADD LETTER 'KD' IN PLACE OF 'D'		
PARAMETER	SYMBOL	UNIT	PRODUCT PART NUMBERS		
			020 SJDA 6012500	020 SJDA 6017500	020 SJDA 6020500
<b>INPUT</b>					
Control Voltage Range		Vdc	4-32	4-32	4-32
Control Current Range		mA	8-30	8-30	8-30
Pick-up Voltage		Vdc	4.0	4.0	4.0
Drop-out Voltage		Vdc	1.0	1.0	1.0
Input Resistance		KOhms	1.0	1.0	1.0
<b>OUTPUT</b>					
RMS on state Current	I <sub>T</sub>	A	125	175	205
Mains Control Voltage	V <sub>rms</sub>	Vac	48-660	48-660	48-660
Peak Off state Voltage	V <sub>drm</sub>	Vpk	1200	1200	1200
Peak one cycle surge Current (Non-Rep)	I <sub>TSM</sub>	A	1000	1350	2000
On state Voltage Drop	V <sub>TM</sub>	Vac	1.6	1.6	1.6
Off state Leakage current	I <sub>drm</sub>	mA	5	5	5
Zero T-On Voltage		Vpk	25	25	25
Critical Rate of Rise Off State Voltage	dv/dt	V/μs	1000	1000	1000
Holding Current	I <sub>H</sub>	mA	200	200	200
Fusing Current	I <sup>2</sup> T	A <sup>2</sup> s	5000	9100	20000
Thermal Resistance	R <sub>TH</sub>	°C/W	0.7	0.5	0.26
Turn-On [Zero/Random]	T-On	ms	10/0.1	10/0.1	10/0.1
Turn-Off [Zero/Random]	T-Off	ms	10	10	10
Frequency Range	f	Hz	47~63	47~63	47~63
Operating Temp	T Oper	°C	-30 to +80	-30 to +80	-30 to +80

