



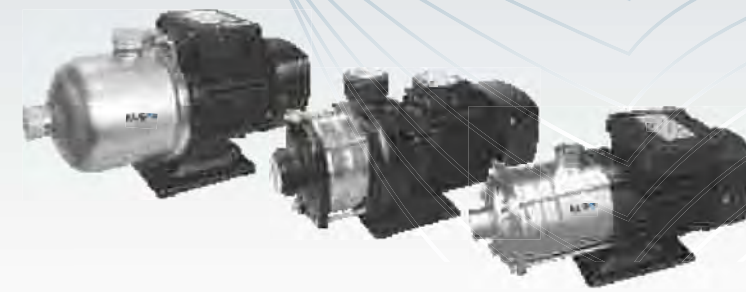
www.algopumps.com

ALGO
PUMPS | MOTORS | DRIVES

VERTICAL & HORIZONTAL
MULTISTAGE PUMPS
BM & BR SERIES 50Hz



AECBP5-K17-E1



ALGO
CONNECTING TECHNOLOGIES

Registered Office:
Algo Fluid Systems Private Limited
Plot No: 2403/1, G.I.D.C. Estate, Ahmedabad Mehsana Highway,
Chhatral, Tal. Kalol, Dist. Gandhinagar - 382729, Gujarat, India
Tel. : +91-2764-234240 | E-mail : sales@algopumps.com

Associate Company:
Algo Hydro Tech
No. 18 Siva Jothi Colony, Goldwins, Civil Aerodrome Post,
Coimbatore- 641014, Tamilnadu, India
Ph.: +91 99761 70074 | E-mail : salescbe@algopumps.com

An ISO 9001 Company



Algo Profile

ALGO positions itself as not just a pump manufacturing company but as a dependable, technologically sound and one stop solution provider to meet the diverse needs of customers across the globe. Understanding the need of efficient and cost effective pumping solutions and fluid management systems ALGO is established by the veterans having more than 30 years of diversified experience.

To overcome the current challenges in providing energy efficient and complete pumping solutions and meet the requirement of discerning customers ALGO is determined to offer technologically integrated and inventive pumping systems & Solutions at affordable prices.

With the vast experience gained in both domestic and international markets ALGO products are designed and produced with synergy of best in class technologies and processes with international standards. Most of its products are ISI certified and manufacturing facilities are accredited with ISO 9001

ALGO stays abreast of the major changes worldwide in terms of technology and processes. This combines with the ability to understand customers' requirement allows for the development of products that meet the challenges of tomorrow.

ALGO has comprehensive range of products to cater Residential, Agriculture, Building services, Industrial & waste water segments. ALGO'S highly qualified Engineers and technicians assure satisfactory service at all time

The ability & Impetus of ALGO in product development, Pricing, Promotion, e-commerce strategies will result in sustainable competitive advantages for all stake holders. We at ALGO always strive to focus on current industry trend and meet the next generation pumping requirements.



Mission, Vision & Value

To provide technologically integrated and ultramodern fluid management systems and solutions for diversified applications at affordable prices and become one of the pump majors globally.

To ensure that we meet all the standards of safety, efficiency, hygiene and environment protection and contribute significantly in developing systems for energy saving.

Our Values are defined by our dedication to Quality, Principles, & Integrity that lead to customers' satisfaction all time and ultimate success of the company and its stakeholders.



Quality Policy

We are determined to offer reliable & Innovative products and services with high standards, Dedicated to understand & meet customers' requirements on time.

We are committed to focus on introducing industry best technologies & Concepts to save energy, protect environment and to give high priority for customers' satisfaction all time.

Index

Vertical Multistage Pumps

Technical Details	02 - 03
Exploded Drawing	04 - 07
Performance & Dimensional Details	08 - 32
Motor Technical Details	33

Horizontal Multistage Pumps

Technical Details	34 - 35
Performance Details	36 - 43
Dimensional Details	
BR Series	44 - 45
BRF Series	46 - 47
BRD Series	48 - 49

Automatic Pressure Booster System

× stream Series (With VFD)	50 - 51
----------------------------	---------

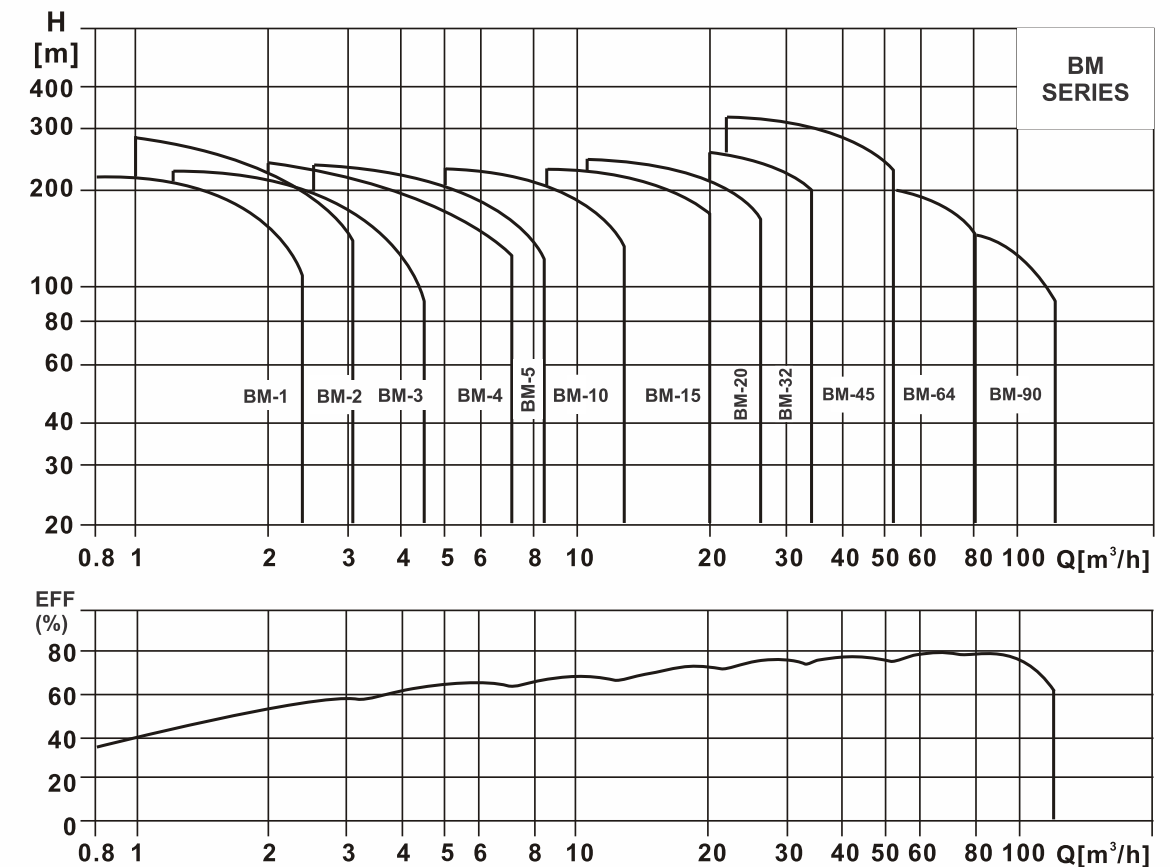


VERTICAL MULTISTAGE CENTRIFUGAL PUMPS - BM SERIES

Technical Specifications

Power Range	0.37 - 45 kW
Version	1Ph - 230V, 50Hz AC 3Ph - 220 / 380-415, 50Hz AC
Speed	2900 RPM
Protection	IP 55
Insulation Class	F Class
Duty	S1 (continuous)
Direction of Rotation	Clockwise viewed from driving end
Sealing	Mechanical Seal
Flange type	Round flange, PJE Coupling, Oval flange
Flange Standard	DIN Standard
Max. Liquid Temperature	-15 to +120°C
Max. Ambient Temperature	40°C
Max. Operating Pressure	30 Bar
Flow Range	upto 120m ³ /h
Head Range	upto 280m

Group Curves



Model Nomenclature

Vertical Multistage Pumps

XXX - (S)(X)X / XX (X) X XXX

BM - Vertical Multistage Pump

Materials of Construction

C = CI Pump head & Suc. Del. Port
S = Complete SS304 Const.
N = Complete SS316 Const.

Applicable only for 60Hz

Rated Flow in m³/h
1 - 1m³/h, 32 - 32m³/h

Number of Stages

Applicable when Trimmed Impeller used
R1 = 1 Trimmed Impeller, R2 = 2 Trimmed Impeller

Applicable only for high Eff. Motors

2 = IE2 Motor
3 = IE3 Motor

Voltage (Except for 1Ph 230V & 3Ph 380V)

D = 220V, K = 415V, N = 525V

Method of Starting

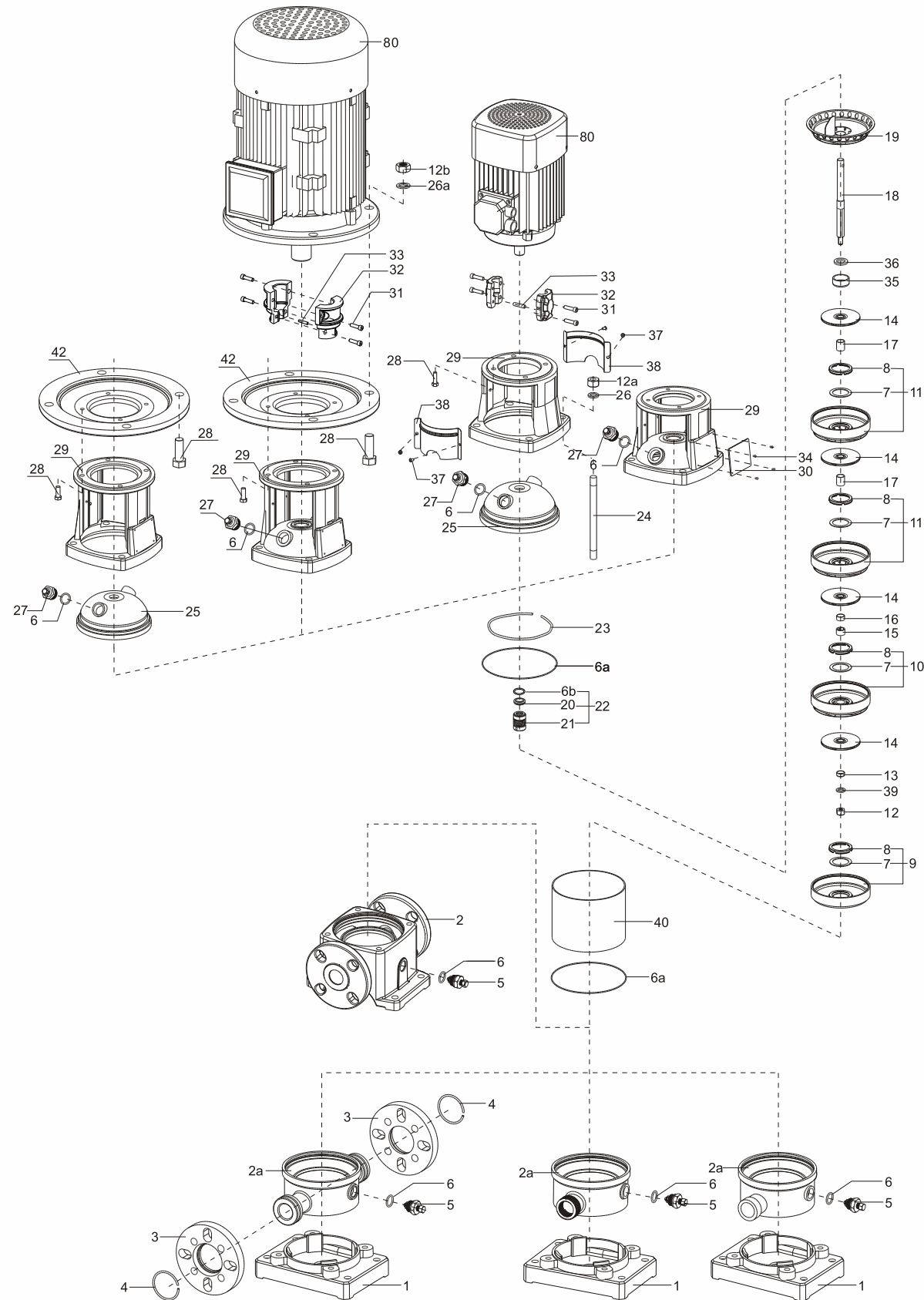
S: 1Ph - CSCR
T: 3Ph - D.O.L
D: 3Ph - S.D.

Applicable only if with Port Connection
P = PJE Coupling, O = Oval Flange

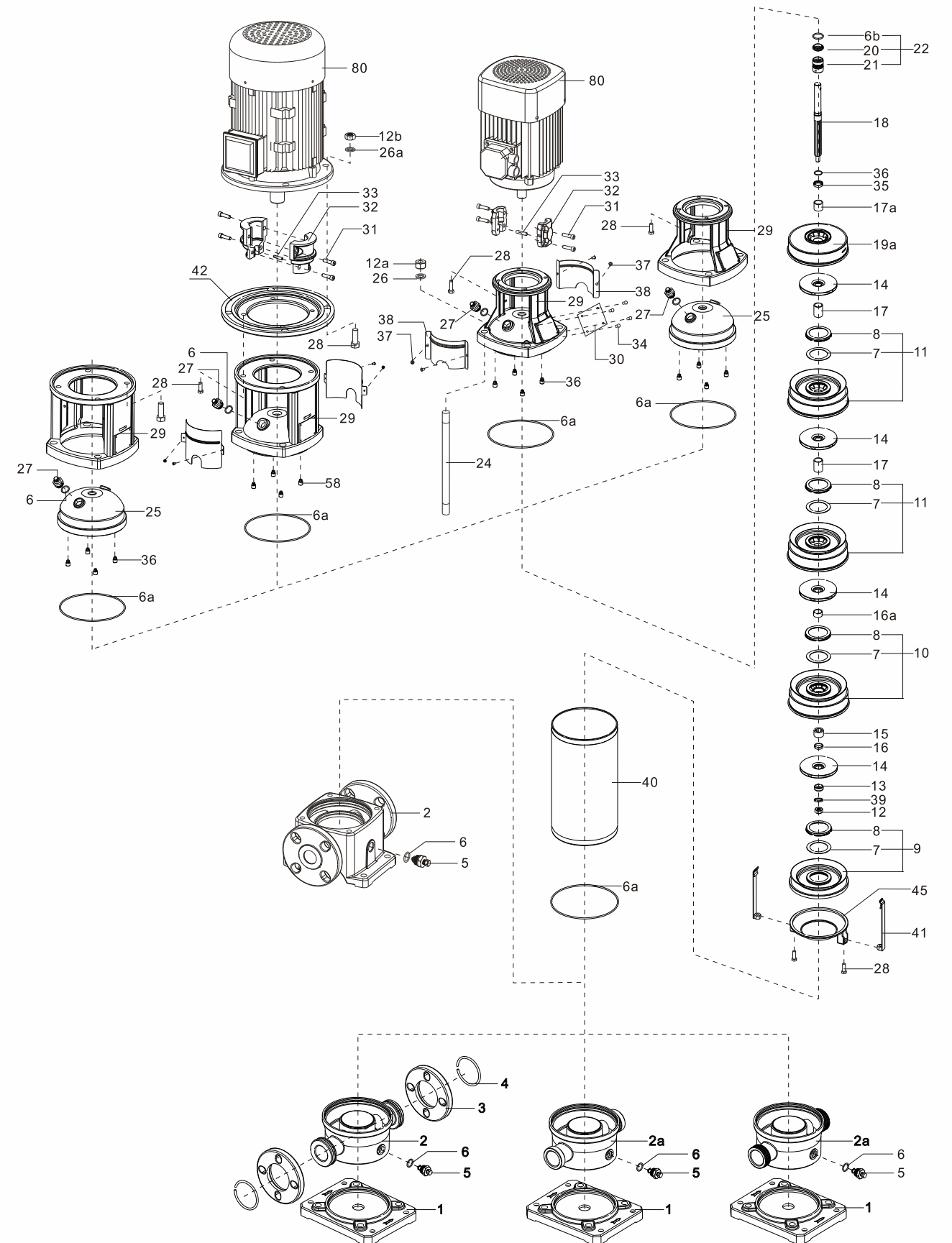
MATERIALS OF CONSTRUCTION

Part Name	BMC	BMS	BMN
Pump Housing	Cast Iron	SS 304	SS 316
Pump Shell	SS 304	SS 304	SS 316
Impeller	SS 304	SS 304	SS 316
Diffuser Casing	SS 304	SS 304	SS 316
Pump Shaft	SS 304 / 431	SS 304 / 431	SS 316/329
Mechanical Seal	SiC / SiC	SiC / SiC	SiC / SiC
Coupling	M.S / C.I.	M.S / C.I.	M.S / C.I.
Wearing Ring	Teflon	Teflon	Teflon
Bush	SiC / SiC	SiC / SiC	SiC / SiC
Split Cone	SS 304	SS 304	SS 316
Split Cone Nut	SS 304	SS 304	SS 316
Flange	Cast Iron	SS 304	SS 316
Neck Ring	SS 304	SS 304	SS 316
"O" Ring	EPDM	EPDM	EPDM
Base Plate	NA	Cast Iron	Cast Iron

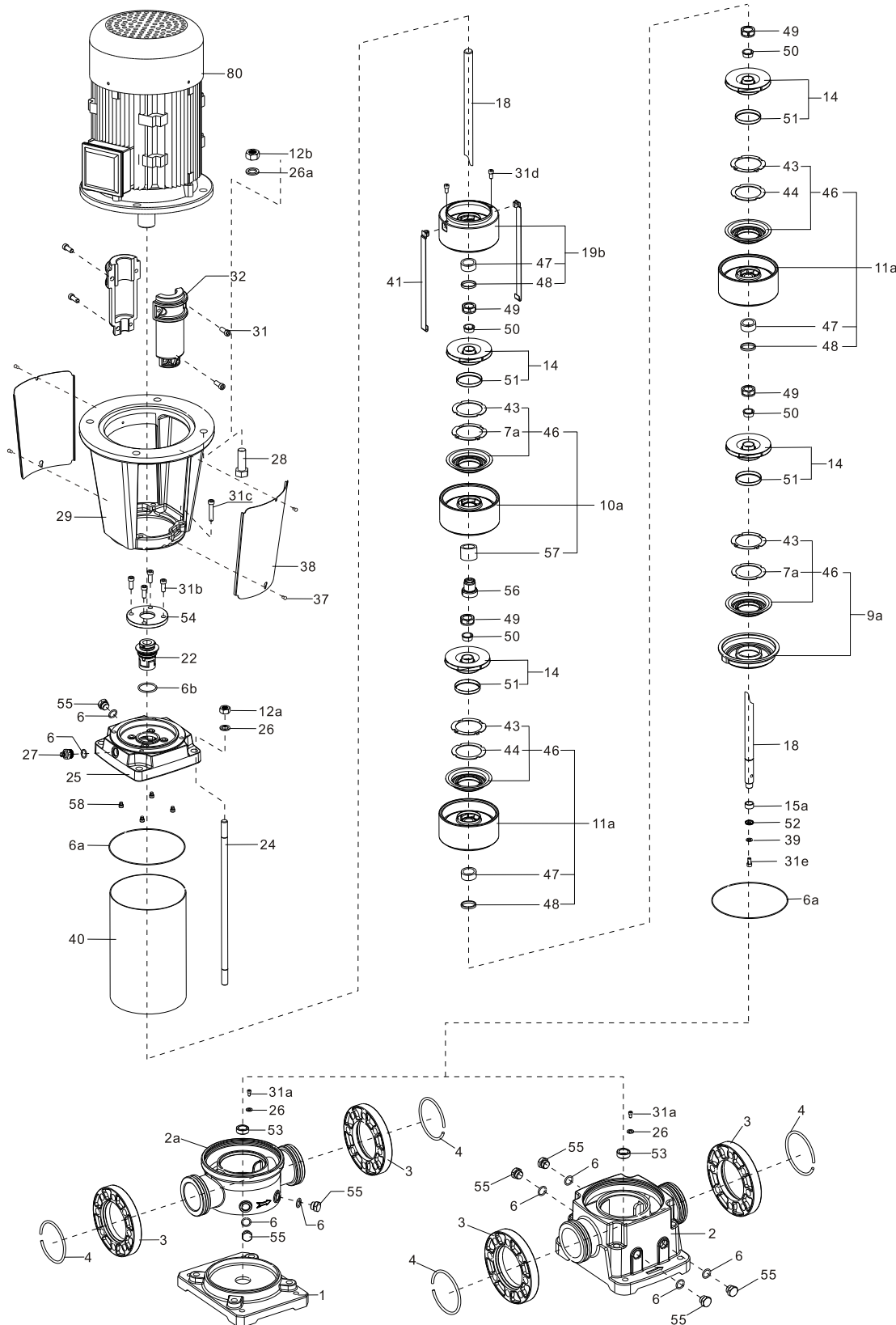
Exploded View: BMC, BMS, 1, 2, 3, 4, & 5



Exploded View: 10, 15 & 20

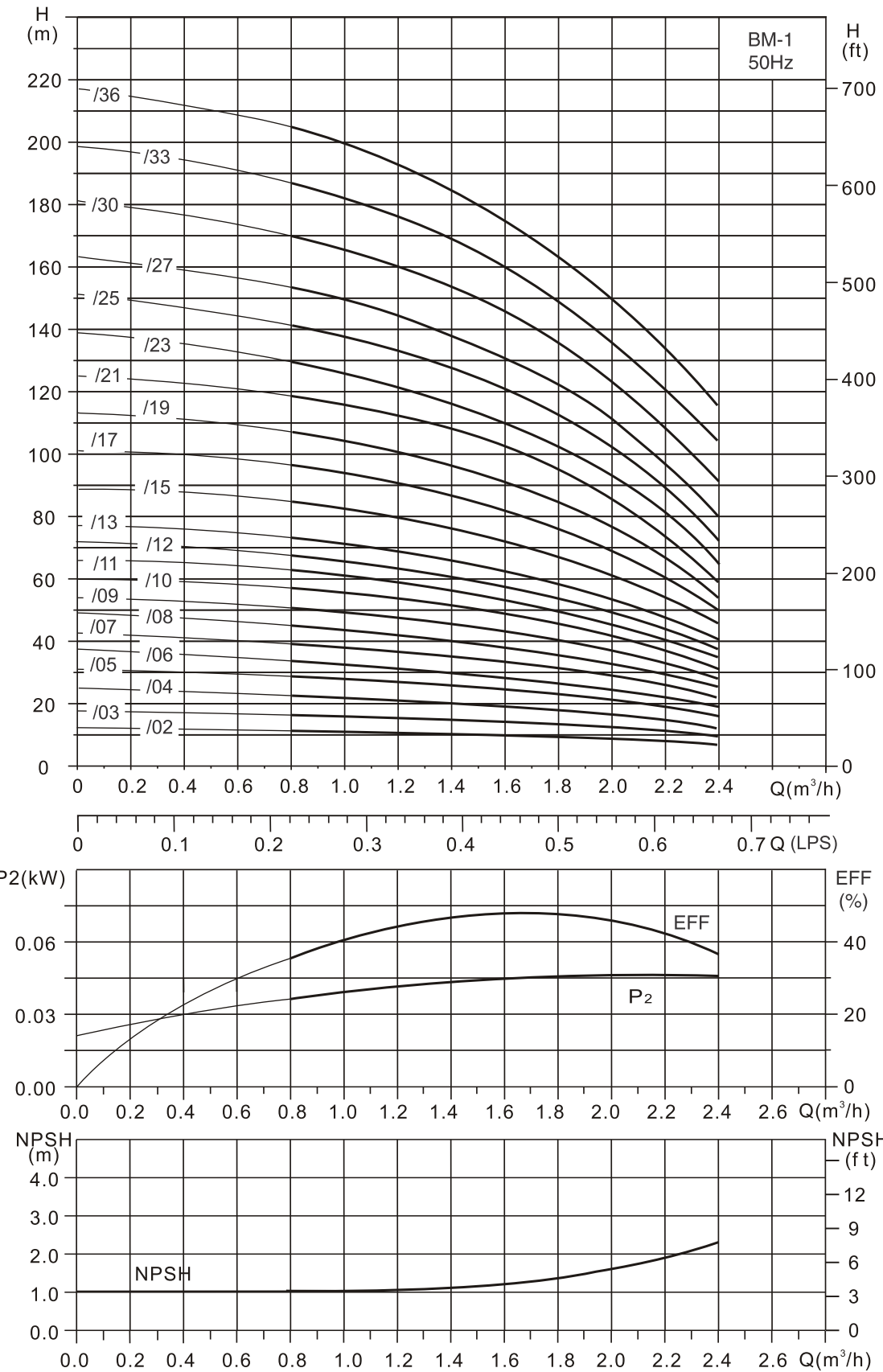


Exploded View: 32m³/h, 45m³/h, 65m³/h & 90m³/h



No.	Description	Material
1	Base	Cast iron
2	Pump housing	Cast iron
2a	Pump housing	SS304 /SS316
3	Flange	Cast iron
4	Circlip	SS201
5	Drainplug	SS304
6	O-ring	NBR
6a	O-ring	NBR
6b	O-ring	NBR
7	Seal	PTFE
7a	Seal	PTFE
8	Seal	SS304
9	Inlet section	SS304
9a	Inlet section	SS304
10	Support diffuser	SS304
10a	Support diffuser	SS304
11	Diffuser	SS304
11a	Diffuser	SS304
12	Nut	Zinc
12a	Nut	Zinc
12b	Nut	Zinc
13	Impeller sleeve	SS304
14	Impeller	SS304
15	Bearing sleeve	Tungsten carbide
15a	Bearing sleeve	Tungsten carbide
16	Short sleeve I	SS304
16a	Short sleeve II	SS304
17	1cm sleeve	SS304
17a	1cm sleeve	SS304
18	Shift	SS431
19	Outlet section	SS304
19a	Outlet section	SS304
19b	Outlet section	SS304
20	Stationary seal ring	Carbon
21	Guide Bush	Tungsten carbide
22	Mechanical seal	Carbon/tungsten carbide/viton
23	Snap ring	SS304
24	Bolt	Zinc
25	Pump cover	SS304
26	Washer	SS304
27	Vent plug	SS304
28	Bolt	Zinc
28a	Bolt	Zinc
29	Motor frame	Cast Iron
30	Nameplate	Aluminum
31	Screw	Zinc
31a	Screw	Zinc
31b	Screw	Zinc
31c	Screw	Zinc
31d	Screw	Zinc
31e	Screw	Zinc
32	Shaft coupling	Ductile Iron
33	Screw	Zinc
34	Nail	M62
35	Clip sleeve	SS304
36	Clip ring	SS304
37	Screw	SS304
38	Coupling guard	SS304
39	Spring pad	SS304
40	Outer sleeve	SS304
41	Link group	SS304
42	Motor flange	Cast iron
43	Gasket	NBR
44	Oval flange	Cast iron
45	Fix cover	SS304
46	Neck ring	SS304
47	Liner	PTFE
48	Support ring	SS304
49	Nut	SS304
50	Split Cone	SS304
51	Wear ring for impeller	SS304
52	Press sleeve	SS304
53	Slide bearing	Tungsten Carbide
54	Gland cover	Cast steel
55	Drain Plug	SS304
56	Bearing sleeve	Tungsten carbide + SS304
57	Slide bearing	Tungsten carbide
80	Motor	

No.	Description	Material
27	Vent plug	SS304
28	Bolt	Zinc
28a	Bolt	Zinc
29	Motor frame	Cast Iron
30	Nameplate	Aluminum
31	Screw	Zinc
31a	Screw	Zinc
31b	Screw	Zinc
31c	Screw	Zinc
31d	Screw	Zinc
31e	Screw	Zinc
32	Shaft coupling	Ductile Iron
33	Screw	Zinc
34	Nail	M62
35	Clip sleeve	SS304
36	Clip ring	SS304
37	Screw	SS304
38	Coupling guard	SS304
39	Spring pad	SS304
40	Outer sleeve	SS304
41	Link group	SS304
42	Motor flange	Cast iron
43	Gasket	NBR
44	Oval flange	Cast iron
45	Fix cover	SS304
46	Neck ring	SS304
47	Liner	PTFE
48	Support ring	SS304
49	Nut	SS304
50	Split Cone	SS304
51	Wear ring for impeller	SS304
52	Press sleeve	SS304
53	Slide bearing	Tungsten Carbide
54	Gland cover	Cast steel
55	Drain Plug	SS304
56	Bearing sleeve	Tungsten carbide + SS304
57	Slide bearing	Tungsten carbide

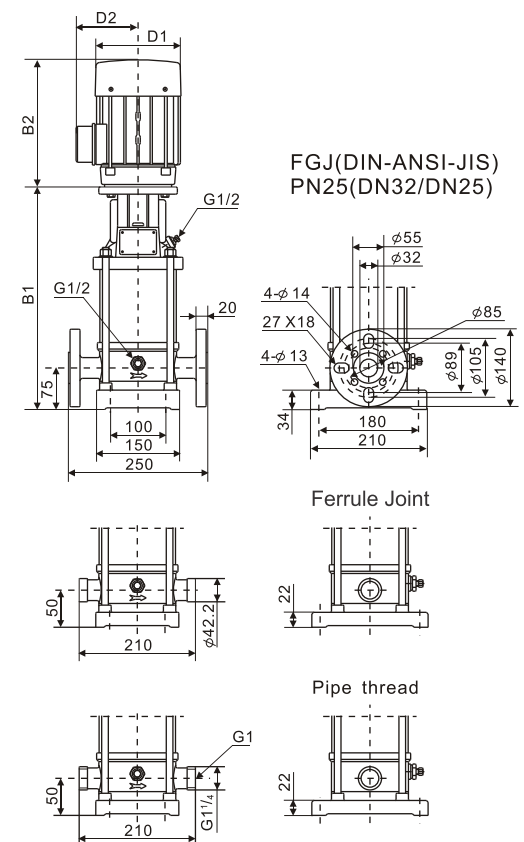


Performance Table

2900 rpm

Model	Power		Q (m³/h)	0.4	0.6	0.8	1.0	1.2	1.4	1.6	1.8	2.0	2.2
	P ₂ (kW)	HP											
BMS-1/02	0.37	0.5	12	118	11.5	11.2	11	10.5	98	9.2	8.5	7.8	
BMS-1/03	0.37	0.5	17.5	17	16.8	16.5	16	15.5	14	13.5	12	10.5	
BMS-1/04	0.37	0.5	23.5	23	22.5	22	21	20.5	18.5	18	16.5	14	
BMS-1/05	0.37	0.5	29	28.5	28	27.5	26.5	26	24	23	20.5	17.5	
BMS-1/06	0.37	0.5	35	34.5	34	33	32	31	28	27	25	22	
BMS-1/07	0.37	0.5	41	40	39	38.5	37	35	33	32	29	25	
BMS-1/08	0.55	0.75	46.5	46	45.5	44	42	40	38	36	33	29	
BMS-1/09	0.55	0.75	52	51.5	51	49.5	47.5	46	44	41	37	34	
BMS-1/10	0.55	0.75	58	57.5	57	56	54	52	48	46	41.5	37	
BMS-1/11	0.55	0.75	65	63	62.5	61	59	56	54	50	46	40	
BMS-1/12	0.75	1	70	69	68	66	64	62	58	55	49	43	
BMS-1/13	0.75	1	75	74.5	74	72	69	66	63	59	54	47	
BMS-1/15	0.75	1	87	86	85	84	80.5	77	72	68	62	53	
BMS-1/17	1.1	1.5	99	97.5	97	95	91	87	81.5	70	69	59	
BMS-1/19	1.1	1.5	110.5	109	108	106	101	97	91	86	78	66	
BMS-1/21	1.1	1.5	122	120.5	119.5	116	112	108	101	95	86	73	
BMS-1/23	1.1	1.5	135	132.5	130	126	122	117	111	104	94	80	
BMS-1/25	1.5	2	147	144	141	138	133	128	121	114	103	87	
BMS-1/27	1.5	2	158	156	154	150	144	138	130	121	112	96	
BMS-1/30	1.5	2	175	173	171	166	160	154	145	136	124	108	
BMS-1/33	2.2	3	193	191	188	183	176	170	160	150	136	120	
BMS-1/36	2.2	3	212	209	205	200	192	184	174	164	150	133	

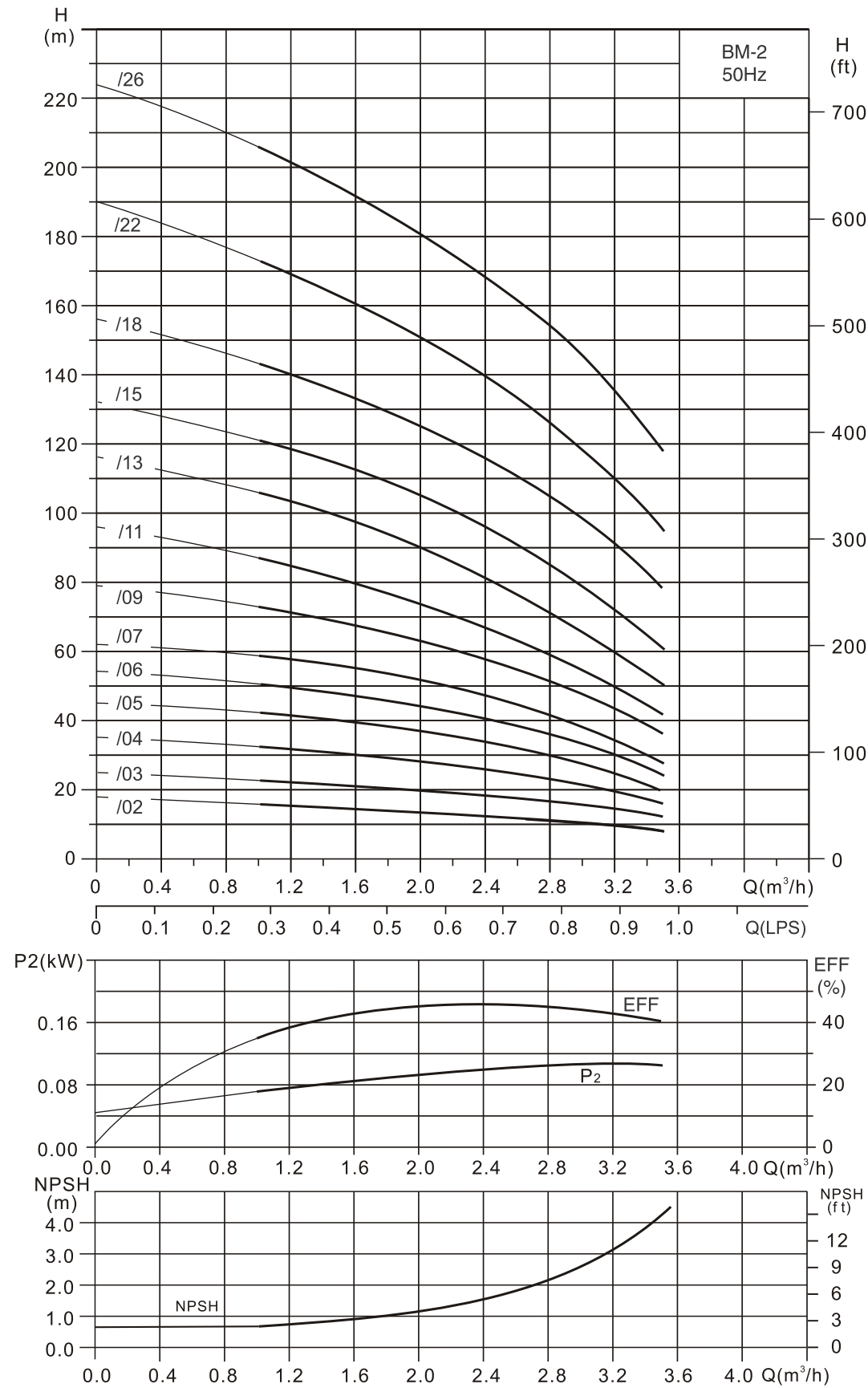
Dimension & Weight Details



Model	Dimensions (mm)					Weight (KG)
	B1	B2	B1 + B2	D1	D2	
BMS-1/02	259	205	464	133	102/124	20
BMS-1/03	277	205	482	133	102/124	20
BMS-1/04	295	205	500	133	102/124	21
BMS-1/05	313	205	518	133	102/124	21
BMS-1/06	331	205	536	133	102/124	21
BMS-1/07	349	205	554	133	102/124	22
BMS-1/08	367	205	572	133	102/124	22
BMS-1/09	385	205	590	133	102/124	23
BMS-1/10	403	205	608	133	102/124	24
BMS-1/11	427	205	632	154	102/124	25
BMS-1/12	439	205	644	154	102/124	26
BMS-1/13	457	205	662	154	102/124	27
BMS-1/15	493	205	698	154	102/124	28
BMS-1/17	535	241	776	154	102/133	31
BMS-1/19	574	241	815	154	111/133	32
BMS-1/21	607	241	848	154	111/133	33
BMS-1/23	643	241	884	154	111/133	34
BMS-1/25	671/687	241/293	912/980	154/177	111/144.5	40
BMS-1/27	715/723	241/293	956/1016	154/177	111/144.5	41
BMS-1/30	769/777	241/293	1010/1070	154/177	111/144.5	42
BMS-1/33	831	275/293	1106/1124	177	116/144.5	45
BMS-1/36	885	275/293	1160/1178	177	116/144.5	46

In view of continuous improvements in our design and process, the information, dimensions and specifications given herein are subject to change without notice.

Replace 3rd digit in model name as 'C' for CI Pump housing & Pump Cover and 'N' for SS316 Pump housing & Pump Cover. Suffix 'S' for single phase & 'T' for three phase motor.

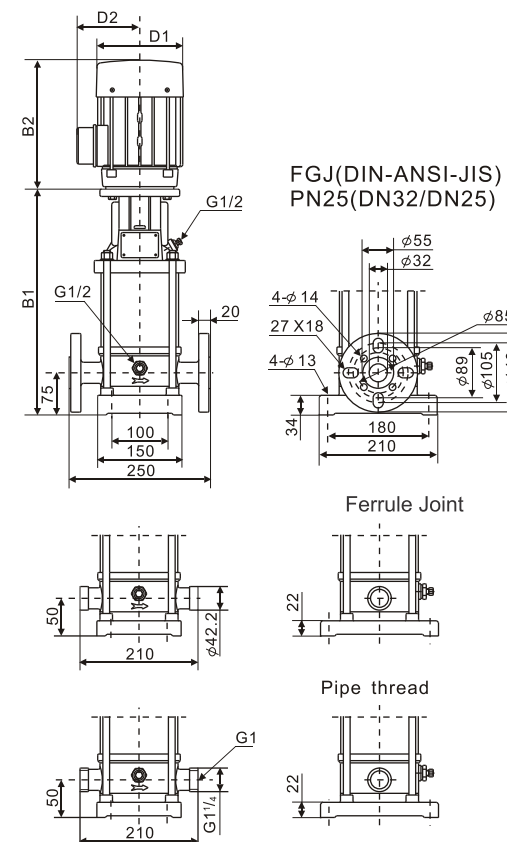


Performance Table

2900 rpm

Model	Power		Q (m³/h)	1	1.2	1.6	2.0	2.4	2.8	3.2	3.5
	P ₂ (kW)	HP									
BMS-2/02	0.37	0.5	HEAD IN METERS	16	15.5	14.5	13.5	12.5	11	9.5	8
BMS-2/03	0.37	0.5		23	22.5	21	20	18.5	16	14	12
BMS-2/04	0.55	0.75		32	31	30	28	26	23	20	16
BMS-2/05	0.55	0.75		42.5	42	40	37	34.5	30	25	20
BMS-2/06	0.75	1		51	50	47	44	41	36	30	24
BMS-2/07	0.75	1		59	57	55	52	47	41	35	28
BMS-2/09	1.1	1.5		72	71	67	63	58	51	44	36
BMS-2/11	1.1	1.5		87	85	80	74	67	59	50	42
BMS-2/13	1.5	2		106	104	99	90	81	71	60	51
BMS-2/15	1.5	2		121	119	112	105	96	85	72	61
BMS-2/18	2.2	3		143	139	133	125	116	105	91	78
BMS-2/22	2.2	3		173	169	162	152	140	126	110	95
BMS-2/26	3.0	4		206	201	191	180	170	155	133	118

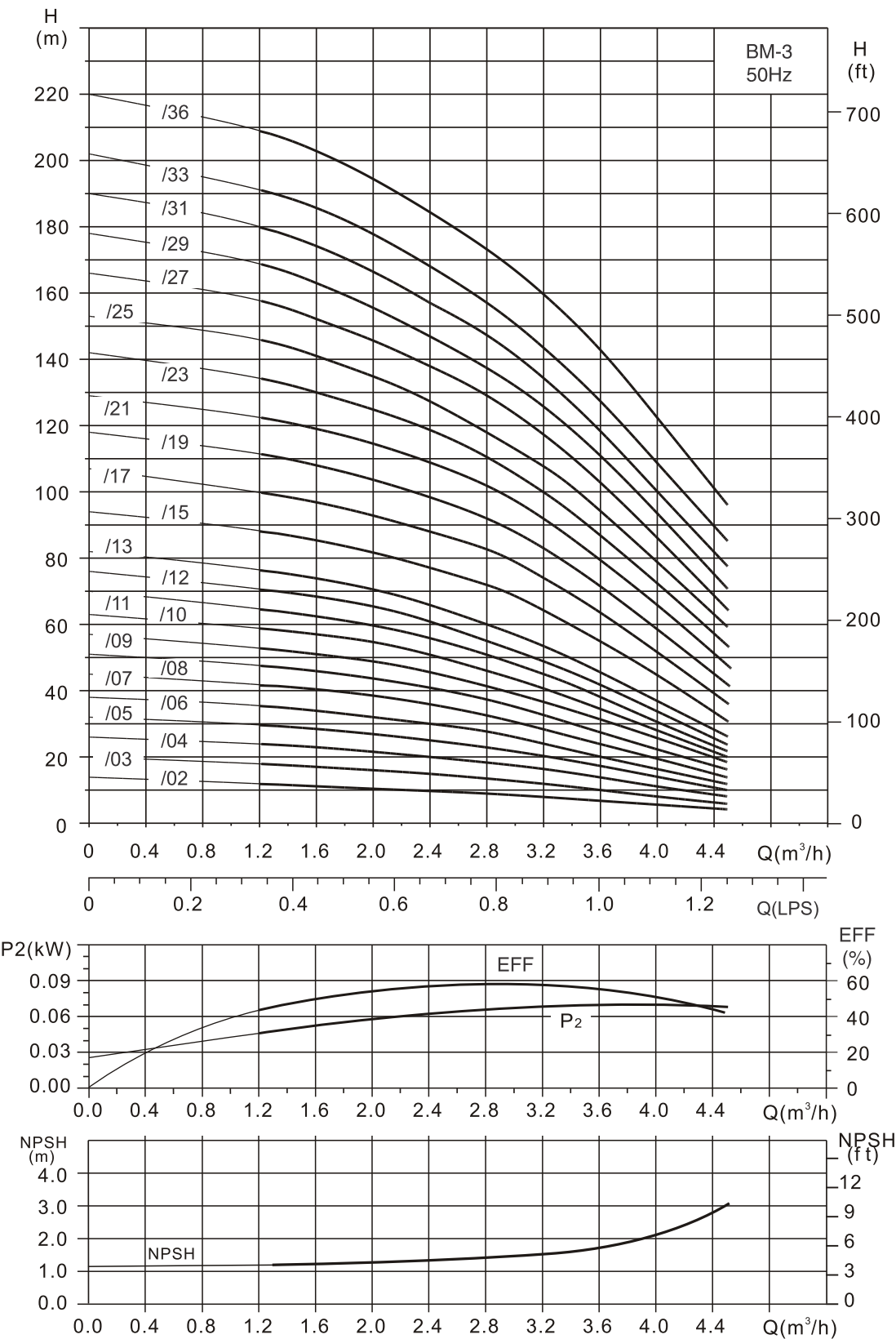
Dimension & Weight Details



Model	Dimensions (mm)					Weight (KG)
	B1	B2	B1 + B2	D1	D2	
BMS-2/02	259	205	464	133	102/124	21
BMS-2/03	277	205	482	133	102/124	21
BMS-2/04	295	205	500	133	102/124	23
BMS-2/05	313	205	518	133	102/124	23
BMS-2/06	331	205	536	133	102/124	25
BMS-2/07	349	205	554	133	102/124	25
BMS-2/09	391	241	632	154	111/133	27
BMS-2/11	427	241	668	154	111/133	27
BMS-2/13	463	241/293	704/756	154/177	111/144.5	29
BMS-2/15	499	241/293	740/792	154/177	111/144.5	29
BMS-2/18	565	275/293	840/856	177	116/144.5	35
BMS-2/22	637	275/293	912	177	116/144.5	38
BMS-2/26	709	293	1002	177	116	45

In view of continuous improvements in our design and process, the information, dimensions and specifications given herein are subject to change without notice.

Replace 3rd digit in model name as 'C' for CI Pump housing & Pump Cover and 'N' for SS316 Pump housing & Pump Cover. Suffix 'S' for single phase & 'T' for three phase motor.

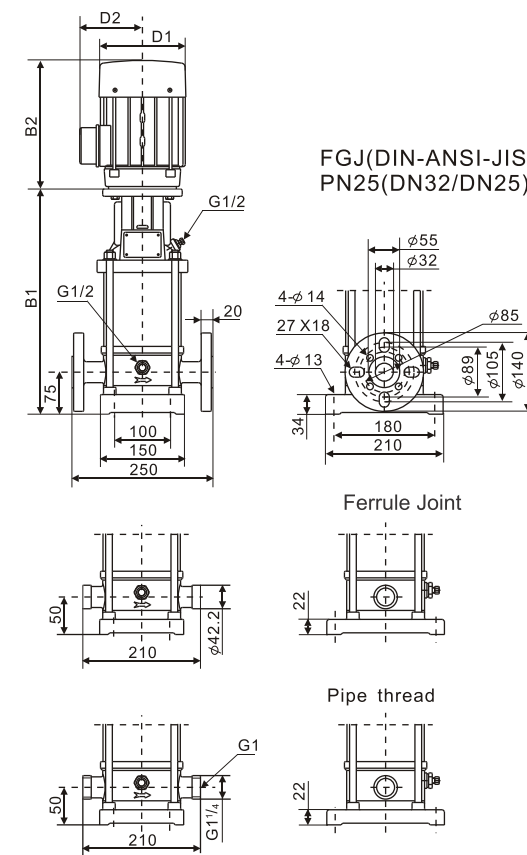


Performance Table

2900 rpm

Model	Power		Q (m³/h)	1.2	1.6	2.0	2.4	2.8	3.0	3.2	3.4	3.6	4.0
	P ₂ (kW)	HP		HEAD IN METERS									
BMS-3/02	0.37	0.5	12	11.3	10.5	10	9	8.5	8	7.5	7	6	
BMS-3/03	0.37	0.5	18	17	16	15	14	13	12	11	10	8	
BMS-3/04	0.37	0.5	24	23	21.5	20	18.5	17.5	16.5	15	13.5	11	
BMS-3/05	0.37	0.5	30	28.5	27	25	23	22	20.5	19	17.5	14	
BMS-3/06	0.55	0.75	36	34	32	30	28	26	24	22	20	16.5	
BMS-3/07	0.55	0.75	42	40.5	39	36	33	30.5	28.5	26	24	19.5	
BMS-3/08	0.75	1	48	46	44	41	37	35	32.5	30	27	22.5	
BMS-3/09	0.75	1	53	51	49	46	41.5	39	37	34	32	26	
BMS-3/10	0.75	1	59	57	55	51	46	43	41	37	34	28	
BMS-3/11	1.1	1.5	65	62.5	60	56	51	48	45	42	38	30.5	
BMS-3/12	1.1	1.5	71	68	66	61	55	52	49	45.5	42	34	
BMS-3/13	1.1	1.5	77	74	71	66	60	57	53	50	46	37	
BMS-3/15	1.1	1.5	88	85	82	77	72	68.5	64	60	55	44	
BMS-3/17	1.5	2	100	97	93	88	83	79	74	69	64	52	
BMS-3/19	1.5	2	112	108	104	98	92	88	83	77	71	58	
BMS-3/21	2.2	3	123	119	115	108	102	97	92	86	79	65	
BMS-3/23	2.2	3	134	130	125	119	110	105	100	94	86	72	
BMS-3/25	2.2	3	146	141	135	128	118	113	108	102	94	79	
BMS-3/27	2.2	3	158	152	146	138	129	123	117	110	103	86	
BMS-3/29	2.2	3	169	163	156	147	137	132	125	118	111	93	
BMS-3/31	3.0	4	180	174	167	157	147	141	134	126	118	100	
BMS-3/33	3.0	4	191	186	178	168	157	150	143	135	127	108	
BMS-3/36	3.0	4	209	203	194	184	173	166	159	151	143	122	

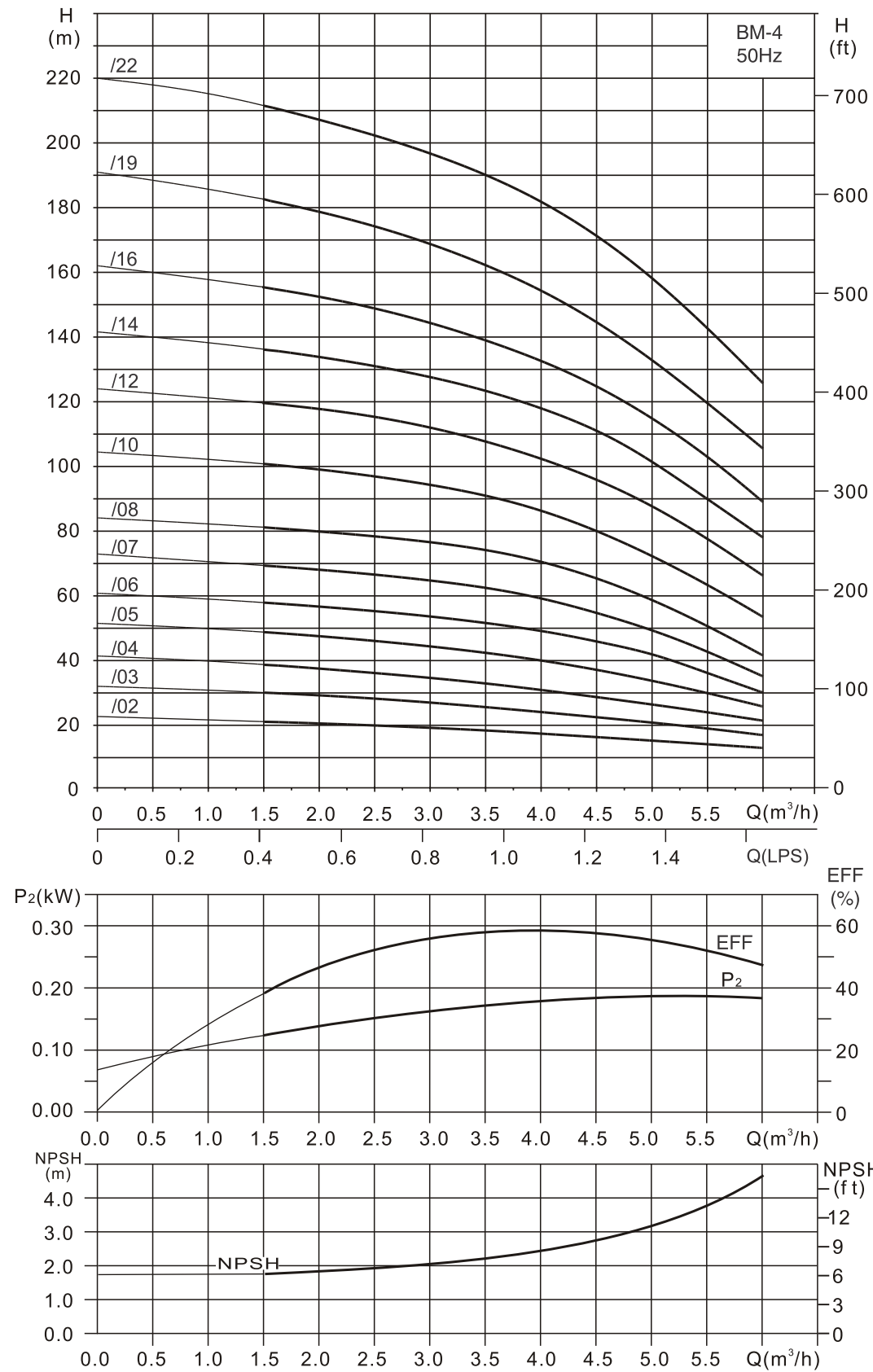
Dimension & Weight Details



Model	Dimensions (mm)					Weight (KG)
	B1	B2	B1 + B2	D1	D2	
BMS-3/02	259	205	464	133	102	20
BMS-3/03	277	205	482	133	102	20
BMS-3/04	295	205	500	133	102	21
BMS-3/05	313	205	518	133	102	21
BMS-3/06	331	205	536	133	102	22
BMS-3/07	349	205	554	133	102	22
BMS-3/08	367	205	572	133	102	23
BMS-3/09	385	205	590	133	102	24
BMS-3/10	403	205	608	133	102	25
BMS-3/11	427	241	668	154	111	27
BMS-3/12	445	241	686	154	111	27
BMS-3/13	463	241	704	154	111	28
BMS-3/15	499	241	740	154	111	29
BMS-3/17	535	241/293	776/828	154	111	34
BMS-3/19	571	241/293	812/864	154	111	35
BMS-3/21	615	275/293	890/908	177	116	38
BMS-3/23	651	275/293	926/944	177	116	39
BMS-3/25	687	275/293	962/980	177	116	40
BMS-3/27	723	275/293	998/1016	177	116	41
BMS-3/29	759	275/293	1034/1052	177	116	42
BMS-3/31	795	275/293	1070/1080	177	116	47
BMS-3/33	831	275/293	1106/1124	177	116	48
BMS-3/36	885	275/293	1160/1178	177	116	50

In view of continuous improvements in our design and process, the information, dimensions and specifications given herein are subject to change without notice.

Replace 3rd digit in model name as 'C' for CI Pump housing & Pump Cover and 'N' for SS316 Pump housing & Pump Cover. Suffix 'S' for single phase & 'T' for three phase motor.

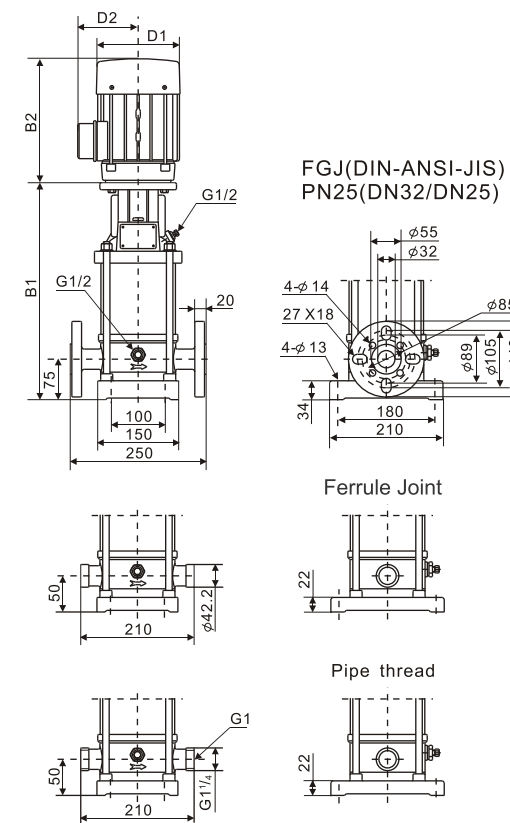


Performance Table

2900 rpm

Model	Power		Q (m³/h)	1.0	2.0	3.0	4.0	4.5	5.0	5.5	6.0
	P ₂ (kW)	HP									
BMS-4/02	0.37	0.5	HEAD IN METERS	22	21	19.5	18	17	16	14	13
BMS-4/03	0.55	0.75		31	29.5	28	24	22	21	19	18
BMS-4/04	0.75	1		40	38	35	31	29	27	24	22
BMS-4/05	1.1	1.5		50	48	44	40	38	34	30	26
BMS-4/06	1.1	1.5		59	57	53	49	45	41	36	30
BMS-4/07	1.5	2		71	69	65	59	55	50	43	36
BMS-4/08	1.5	2		83	80	78	71	65	59	51	42
BMS-4/10	2.2	3		103	100	95	87	80	79	73	54
BMS-4/12	2.2	3		122	119	113	103	96	88	78	68
BMS-4/14	3.0	4		139	134	128	118	111	102	90	79
BMS-4/16	3.0	4		158	153	145	134	126	116	103	89
BMS-4/19	4.0	5.5		186	180	170	155	145	133	117	98
BMS-4/22	4.0	5.5		216	208	197	182	172	159	143	126

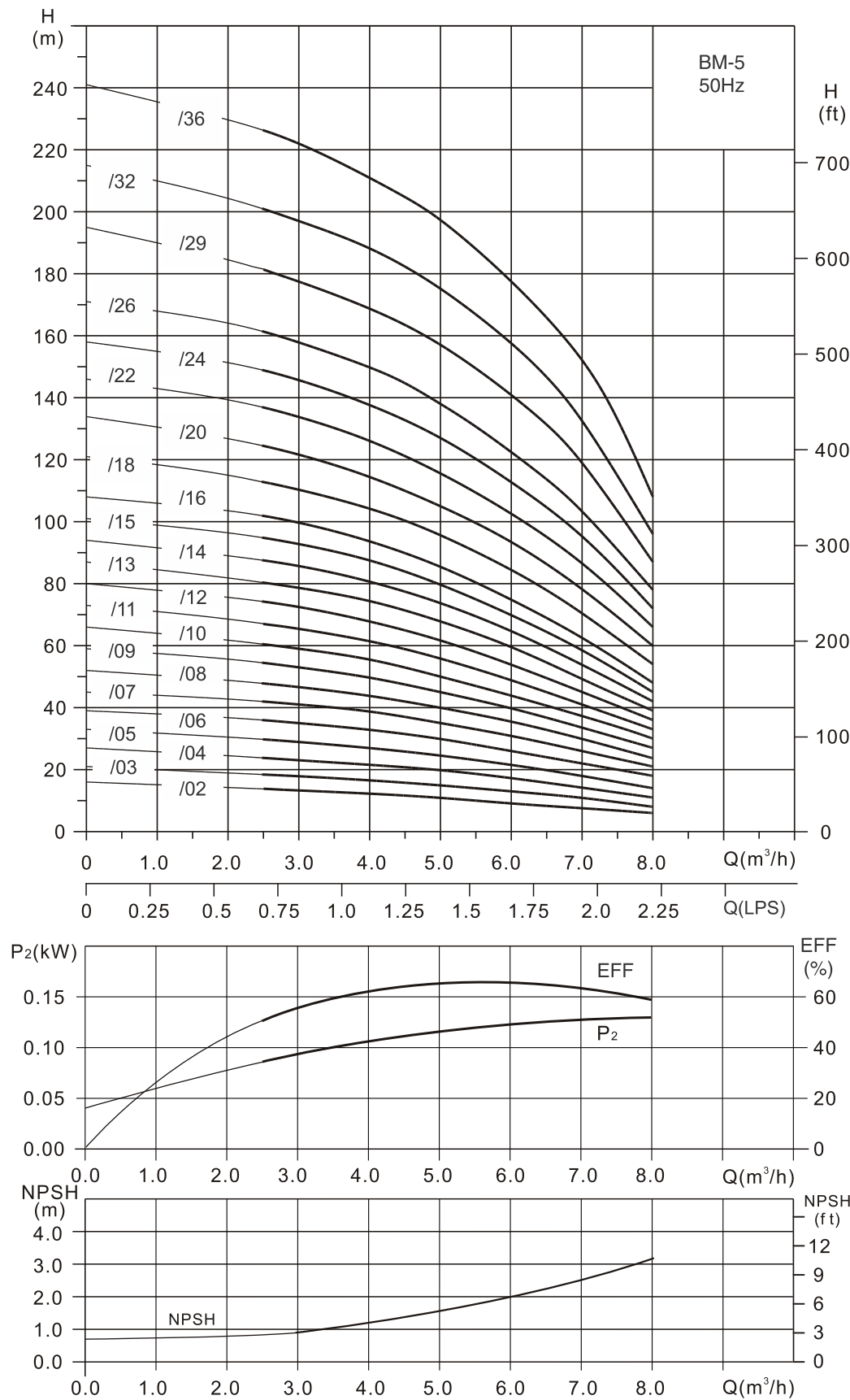
Dimension & Weight Details



Model	Dimensions (mm)					Weight (KG)
	B1	B2	B1 + B2	D1	D2	
BMS-4/02	259	205	464	133	102	22
BMS-4/03	277	205	482	133	102	22
BMS-4/04	295	205	500	133	102	23
BMS-4/05	319	241	560	154	111	23
BMS-4/06	337	241	578	154	111	25
BMS-4/07	355	241/293	596/648	154	111	30
BMS-4/08	373	241/293	614/666	154	111	30
BMS-4/10	417	275/293	692/710	177	116	32
BMS-4/12	453	275/293	728/746	177	116	32
BMS-4/14	489	275/293	764/782	177	116	35
BMS-4/16	525	275/293	800/818	197	116	39
BMS-4/19	599	305	904	197	148	45
BMS-4/22	653	305	958	197	148	49

In view of continuous improvements in our design and process, the information, dimensions and specifications given herein are subject to change without notice.

Replace 3rd digit in model name as 'C' for CI Pump housing & Pump Cover and 'N' for SS316 Pump housing & Pump Cover. Suffix 'S' for single phase & 'T' for three phase motor.

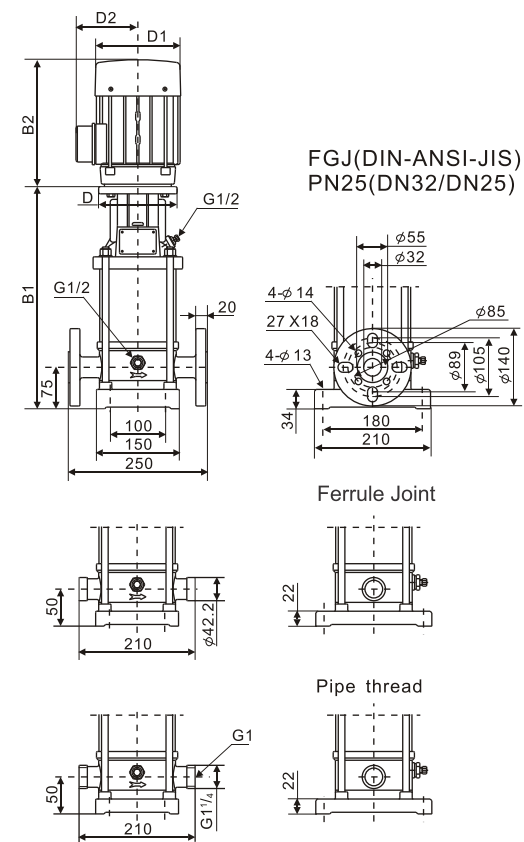


Performance Table

2900 rpm

Model	Power		Q (m³/h)	2.0	3.0	4.0	4.5	5.0	5.5	6.0	6.5	7.0	7.5	8.5
	P ₂ (kW)	HP												
BMS-5/02	0.37	0.5	14	13	12	11.5	11	10	9	8	7.5	6.5	6	
BMS-5/03	0.55	0.75	19	18	16.5	15.5	15	14	13	12	11	9	8	
BMS-5/04	0.55	0.75	24.5	23	22.5	21	20	18.5	17	15.5	14	12.5	11	
BMS-5/05	0.75	1	30.5	29	27	26	24.5	23	21.5	20	17.5	16	14	
BMS-5/06	1.1	1.5	37	35	33	31.5	30	28	26	24	22	20	18	
BMS-5/07	1.1	1.5	43	41	39	37	35	33	31	28	26	24	21	
BMS-5/08	1.1	1.5	49	47	44	42	40	38	36	32	30	27	24	
BMS-5/09	1.5	2	56	53	50	47.5	45	42.5	40	37	33.5	30.5	27	
BMS-5/10	1.5	2	62	59	55	53	50	47	44	41	37	34	30	
BMS-5/11	2.2	3	68.5	65.5	61.5	59	56	52	49	45	41	37	33	
BMS-5/12	2.2	3	75	72.5	68	65	62	58	54	49	45	40.5	36	
BMS-5/13	2.2	3	81.5	79	74	71	68	64	59.5	54	49	44	39	
BMS-5/14	2.2	3	89	85	81	77	74	69	65	59	54	48	42	
BMS-5/15	2.2	3	96	93	88	84	80	75	70	64	59	52	45	
BMS-5/16	2.2	3	103	100	94	90	85	80	75	69	63	56	48	
BMS-5/18	3.0	4	115	110	104	100	96	90	85	78	71	63	54	
BMS-5/20	3.0	4	129	122	115	109	105	99	94	86	78	70	60	
BMS-5/22	4.0	5.5	139	134	126	121	116	110	103	95	87	77	66	
BMS-5/24	4.0	5.5	152	146	138	133	127	120	113	105	96	84	72	
BMS-5/26	4.0	5.5	164	158	150	144	138	131	122	114	104	91	78	
BMS-5/29	4.0	5.5	185	177	168	164	157	150	141	132	119	103	87	
BMS-5/32	5.5	7.5	205	197	189	183	176	166	158	147	134	114	96	
BMS-5/36	5.5	7.5	230	222	212	205	198	188	177	166	154	133	108	

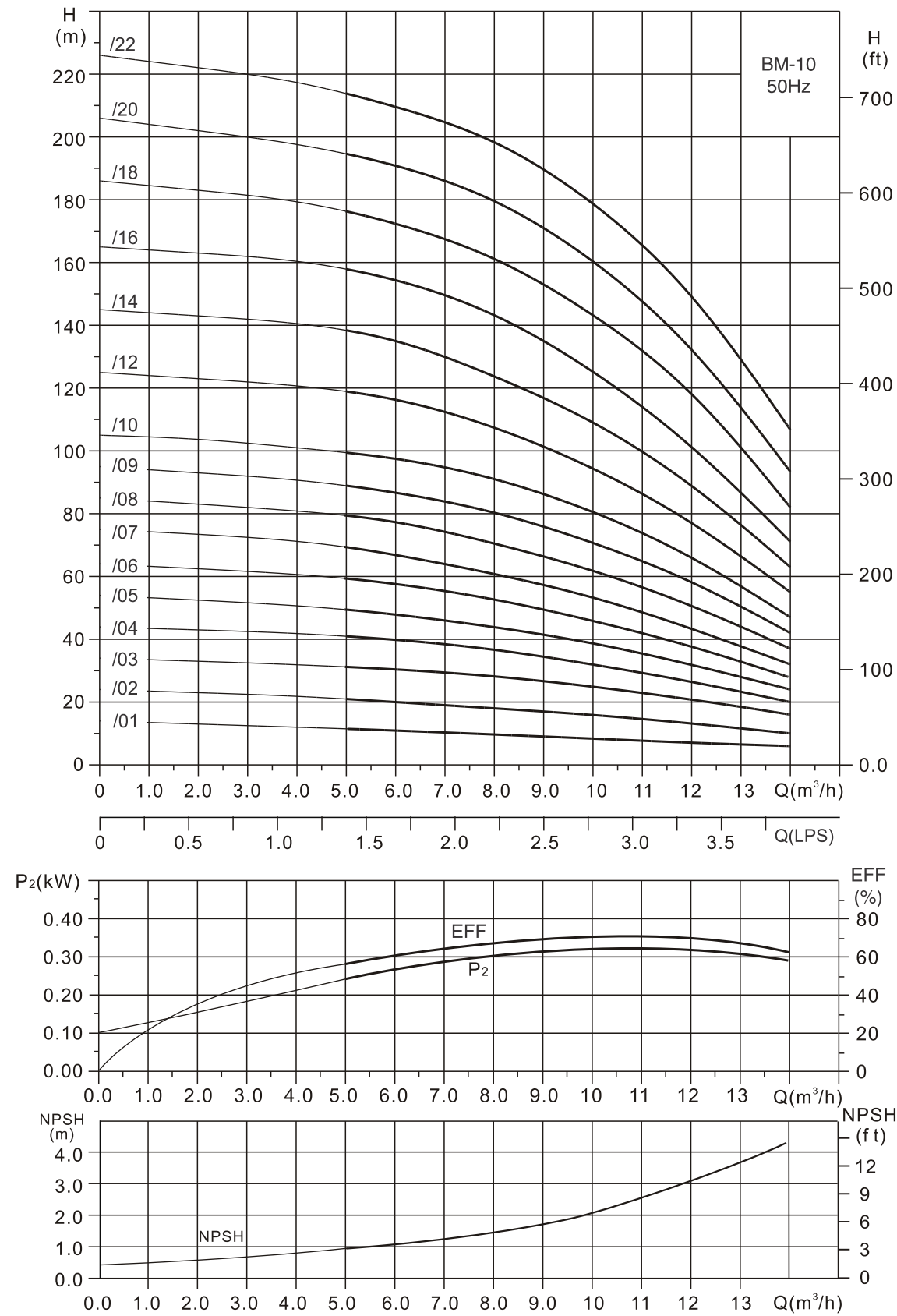
Dimension & Weight Details



Model	Dimensions (mm)						Weight (KG)
	B1	B2	B1 + B2	D	D1	D2	
BMS-5/02	277	205	482	-	133	102	21
BMS-5/03	304	205	509	-	133	102	21
BMS-5/04	331	205	536	-	133	102	22
BMS-5/05	358	205	563	-	133	102	24
BMS-5/06	391	241	632	-	154	111	27
BMS-5/07	418	241	659	-	154	111	28
BMS-5/08	445	241	686	-	154	111	29
BMS-5/09	472	241/293	713/765	-	154	111	35
BMS-5/10	499	241/293	740/792	-	154	111	36
BMS-5/11	534	275/293	809/827	-	177	116	37
BMS-5/12	561	275/293	836/854	-	177	116	38
BMS-5/13	588	275/293	863/881	-	177	116	39
BMS-5/14	615	275/293	890/908	-	177	116	40
BMS-5/15	642	275/293	917/935	-	177	116	41
BMS-5/16	669	275/293	944/962	-	177	116	42
BMS-5/18	723	293	982	-	177	116	45
BMS-5/20	777	293	1052	-	177	116	46
BMS-5/22	851	305	1156	-	197	148	58
BMS-5/24	905	305	1210	-	197	148	59
BMS-5/26	959	305	1264	-	197	148	61
BMS-5/29	1040	305	1345	-	197	148	63
BMS-5/32	1146	390	1536	300	275	210	78
BMS-5/36	1254	390	1644	300	275	210	80

In view of continuous improvements in our design and process, the information, dimensions and specifications given herein are subject to change without notice.

Replace 3rd digit in model name as 'C' for CI Pump housing & Pump Cover and 'N' for SS316 Pump housing & Pump Cover. Suffix 'S' for single phase & 'T' for three phase motor.

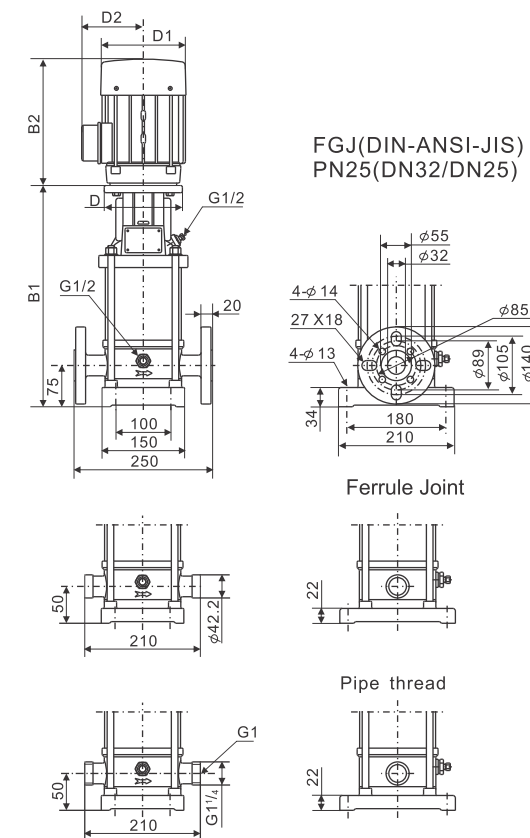


Performance Table

2900 rpm

Model	Power		Q (m³/h)	2	4	6	8	10	12	14
	P ₂ (kW)	HP								
BMS-10/01	0.37	0.5	HEAD IN METERS	13	12	11	9.5	8.5	7	6
BMS-10/02	0.75	1		23	22	20	18	16	13	10
BMS-10/03	1.1	1.5		33	32	31	28	25	21	16
BMS-10/04	1.5	2		43	42	40	37	32	27	20
BMS-10/05	2.2	3		53	51	48	44	39	32	24
BMS-10/06	2.2	3		62	61	58	53	46	38	28
BMS-10/07	3.0	4		73	72	67	61	54	43	32
BMS-10/08	3.0	4		83	81	78	71	62	51	37
BMS-10/09	3.0	4		93	91	87	81	71	59	42
BMS-10/10	4.0	5.5		104	101	98	91	81	67	47
BMS-10/12	4.0	5.5		123	121	117	108	95	78	55
BMS-10/14	5.5	7.5		143	141	136	124	110	90	63
BMS-10/16	5.5	7.5		163	161	154	143	125	102	71
BMS-10/18	7.5	10		183	179	173	161	144	118	82
BMS-10/20	7.5	10		202	198	191	180	160	133	93
BMS-10/22	7.5	10		222	217	209	198	178	149	106

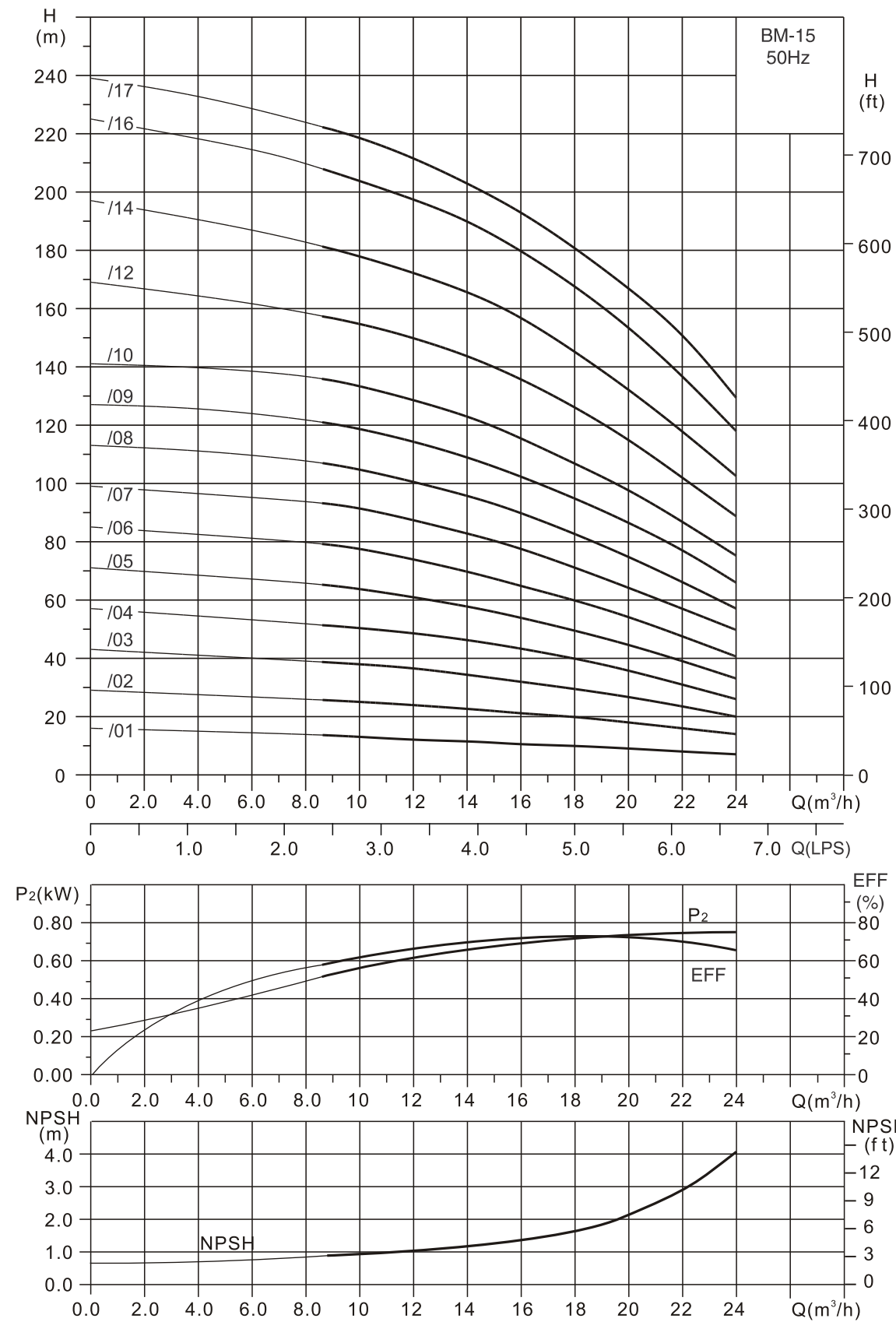
Dimension & Weight Details



Model	Dimensions (mm)						Weight (KG)
	B1	B2	B1 + B2	D	D1	D2	
BMS-10/01	319	205	524	-	133	102/124	33
BMS-10/02	349	205	554	-	133	102/124	35
BMS-10/03	385	241	626	-	154	111/133	38
BMS-10/04	415	241/293	656/708	-	154/177	111/144.5	45
BMS-10/05	453	275/293	728/746	-	177	116/144.5	48
BMS-10/06	483	275/293	758/776	-	177	116/144.5	50
BMS-10/07	513	293	788	-	177	116	55
BMS-10/08	543	293	815	-	177	116	56
BMS-10/09	573	293	845	-	177	116	57
BMS-10/10	623	305	928	-	197	148	60
BMS-10/12	683	305	988	-	197	148	63
BMS-10/14	764	390	1154	300	275	210	93
BMS-10/16	824	390	1214	300	275	210	95
BMS-10/18	884	390	1274	300	275	210	120
BMS-10/20	944	390	1334	300	275	210	123
BMS-10/22	1004	390	1364	300	275	210	125

In view of continuous improvements in our design and process, the information, dimensions and specifications given herein are subject to change without notice.

Replace 3rd digit in model name as 'C' for CI Pump housing & Pump Cover and 'N' for SS316 Pump housing & Pump Cover. Suffix 'S' for single phase & 'T' for three phase motor.

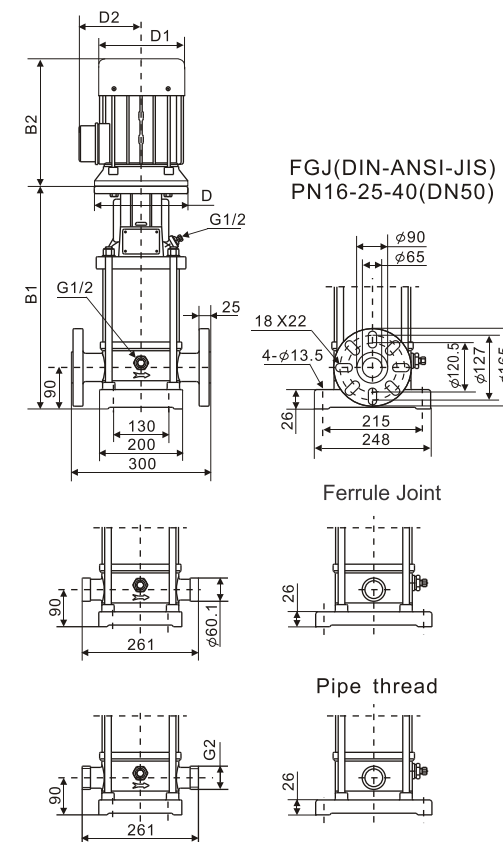


Performance Table

2900 rpm

Model	Power		Q (m³/h)	8.0	10	12	14	15	16	18	20	22	24
	P ₂ (kW)	HP		HEAD IN METERS									
BMS-15/01	1.1	1.5	14	13	12	11.5	11	10.5	10	9	8	7	
BMS-15/02	2.2	3	26	25	24	23	22	21	20	18	16	14	
BMS-15/03	3.0	4	39	38	37	34	33	31	29	27	24	20	
BMS-15/04	4.0	5.5	52	50	48	46	44	43	40	36	31	26	
BMS-15/05	4.0	5.5	66	64	61	58	56	54	50	45	39	33	
BMS-15/06	5.5	7.5	80	78	75	70	67	65	60	54	47	41	
BMS-15/07	5.5	7.5	94	92	88	83	80	78	71	64	56	50	
BMS-15/08	7.5	10	108	105	101	96	93	90	73	75	66	57	
BMS-15/09	7.5	10	122	119	115	109	106	103	95	87	77	66	
BMS-15/10	11	15	136	133	128	123	120	116	107	98	86	76	
BMS-15/12	11	15	158	155	150	144	140	135	126	116	102	89	
BMS-15/14	11	15	183	178	172	165	162	156	145	133	118	103	
BMS-15/16	15	20	210	204	197	190	185	179	168	153	137	118	
BMS-15/17	15	20	224	218	212	203	198	193	181	166	151	129	

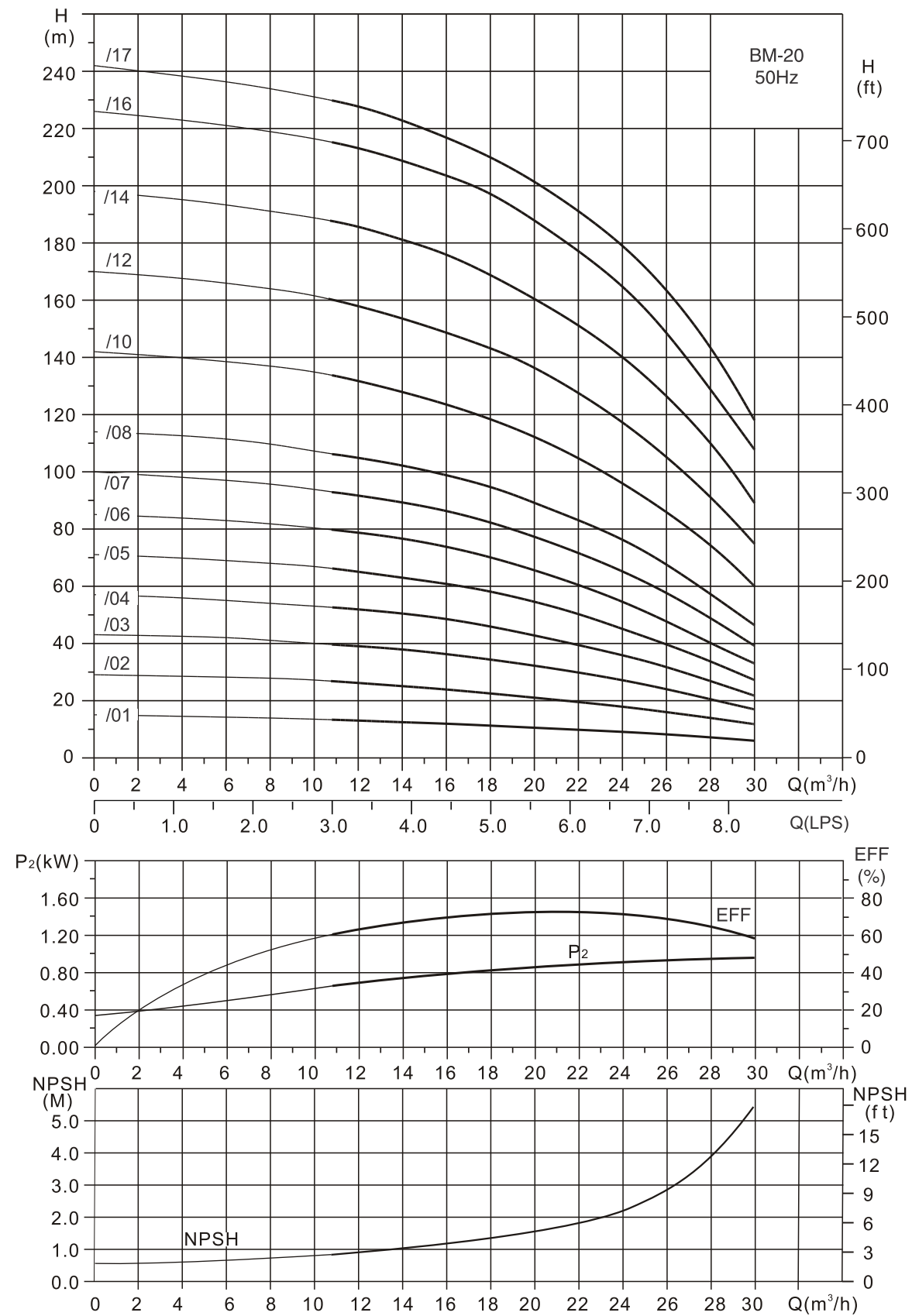
Dimension & Weight Details



Model	Dimensions (mm)						Weight (KG)
	B1	B2	B1 + B2	D	D1	D2	
BMS-15/01	350	241	591	-	154	111	40
BMS-15/02	403	275/293	678/696	-	177	116	45
BMS-15/03	448	293	723	-	177	116	50
BMS-15/04	513	305	768	-	197	148	55
BMS-15/05	558	305	863	-	197	148	58
BMS-15/06	624	390	1014	300	275	210	90
BMS-15/07	669	390	1059	300	275	210	93
BMS-15/08	714	390	1104	300	275	210	97
BMS-15/09	759	390	1149	300	275	210	98
BMS-15/10	824	505	1325	350	330	255	140
BMS-15/12	914	505	1415	350	330	255	144
BMS-15/14	1004	505	1505	350	330	255	147
BMS-15/16	1094	505	1595	350	330	255	148
BMS-15/17	1139	505	1640	350	330	255	160

In view of continuous improvements in our design and process, the information, dimensions and specifications given herein are subject to change without notice.

Replace 3rd digit in model name as 'C' for CI Pump housing & Pump Cover and 'N' for SS316 Pump housing & Pump Cover. Suffix 'S' for single phase & 'T' for three phase motor.

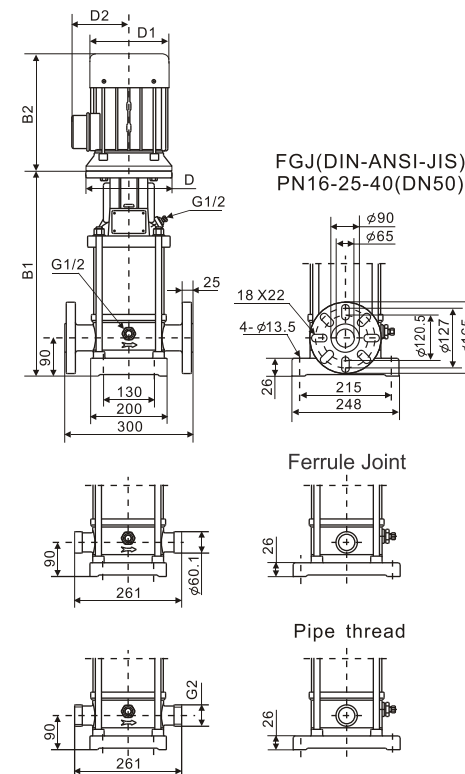


Performance Table

2900 rpm

Model	Power		Q (m³/h)	8	10	12	14	16	18	20	24	26	28
	P ₂ (kW)	HP											
BMS-20/01	1.1	1.5	HEAD IN METERS	14	13.5	13	12.5	12	11.5	10.5	9	8	7
BMS-20/02	2.2	3		28	27	26	25	24	22.5	21	18	16	14
BMS-20/03	4.0	5.5		41	40	39	38	36	34	32	27	24	21
BMS-20/04	5.5	7.5		54	53	52	51	50	46	43	36	32	27
BMS-20/05	5.5	7.5		68	67	65	63	61	58	55	45	40	33
BMS-20/06	7.5	10		82	80	78	77	73	70	66	55	48	40
BMS-20/07	7.5	10		96	94	92	89	86	82	77	65	58	47
BMS-20/08	11	15		110	107	104	102	99	95	89	76	67	56
BMS-20/10	11	15		137	135	132	127	124	118	112	98	86	73
BMS-20/12	15	20		164	162	158	154	149	142	136	118	106	90
BMS-20/14	15	20		191	189	186	181	176	169	161	140	126	110
BMS-20/16	18.5	25		219	217	214	208	203	198	186	164	147	129
BMS-20/17	18.5	25		234	231	228	223	217	210	202	178	162	142

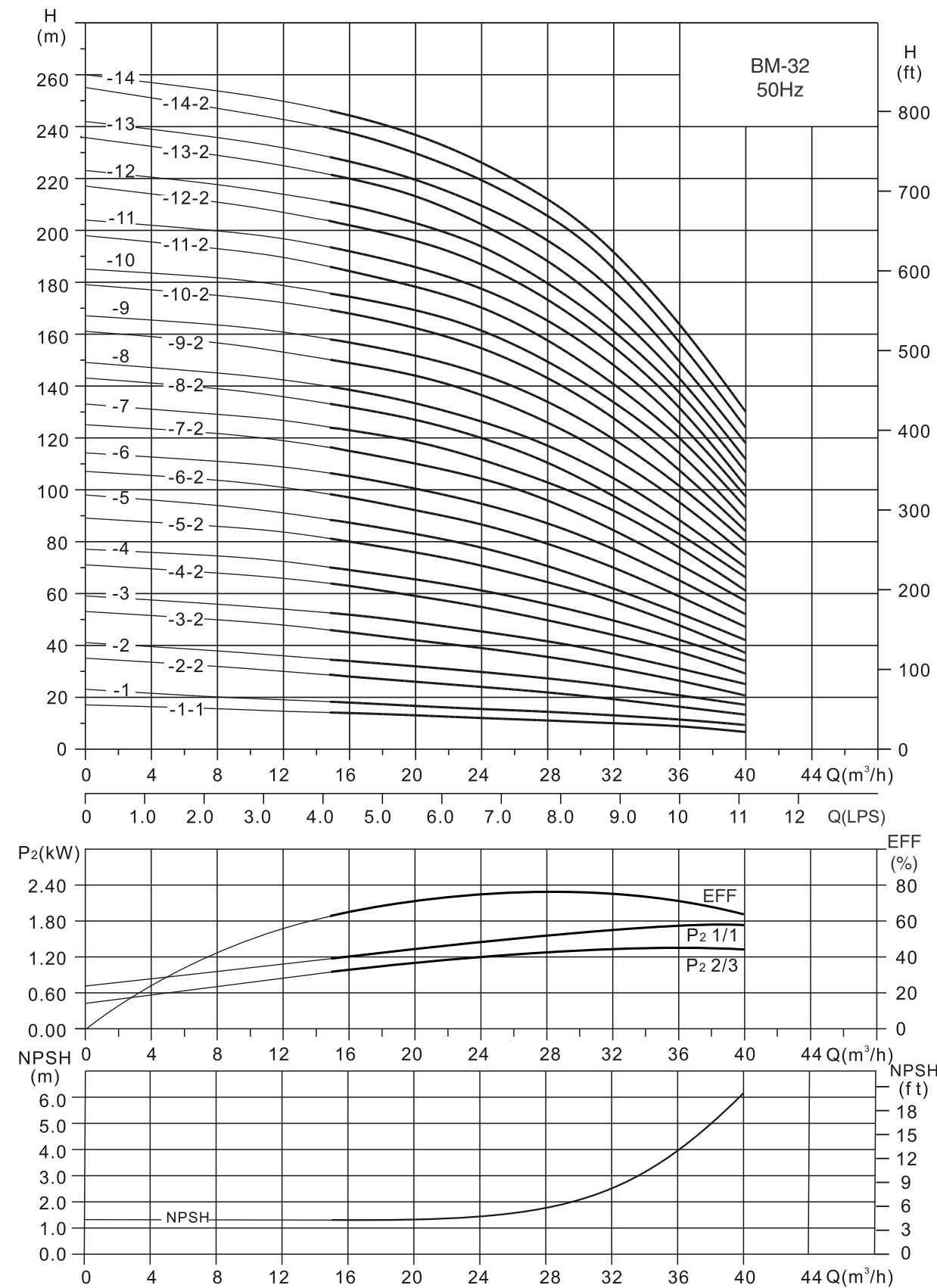
Dimension & Weight Details



Model	Dimensions (mm)						Weight (KG)
	B1	B2	B1 + B2	D	D1	D2	
BMS-20/01	350	241	591	-	154	111	40
BMS-20/02	403	275/293	678/696	-	177	116	45
BMS-20/03	468	305	773	300	197	148	55
BMS-20/04	534	305	839	300	197	148	80
BMS-20/05	579	390	969	300	275	210	83
BMS-20/06	624	390	1014	300	275	210	87
BMS-20/07	669	390	1059	300	275	210	90
BMS-20/08	734	505	1239	350	330	255	130
BMS-20/10	824	505	1329	350	330	255	136
BMS-20/12	914	505	1419	350	330	255	145
BMS-20/14	1004	505	1509	350	330	255	148
BMS-20/16	1094	560	1654	350	330	255	168
BMS-20/17	1139	560	1699	350	330	255	170

In view of continuous improvements in our design and process, the information, dimensions and specifications given herein are subject to change without notice.

Replace 3rd digit in model name as 'C' for CI Pump housing & Pump Cover and 'N' for SS316 Pump housing & Pump Cover. Suffix 'S' for single phase & 'T' for three phase motor.

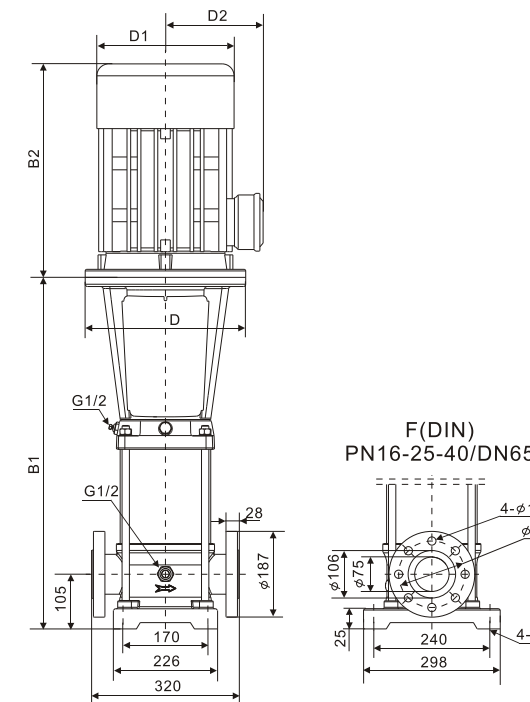


Performance Table

2900 rpm

Model	Power		Q (m³/h)	12	16	20	24	28	30	32	36	40
	P ₂ (kW)	HP		HEAD IN METERS								
BMS-S32/01R1	1.5	2	14.5	14	13	12	11	105	10	9	7	
BMS-S32/01	2.2	3	19	18	16.5	15.5	14.5	14	13	11.5	9.5	
BMS-32/02R2	3.0	4	30	26	26	24	22	21	19	16	14	
BMS-32/02	4.0	5.5	36	34	32	30	27	26	24	21	17	
BMS-32/03R2	4.0	5.5	48	45	42	39	36	34	32	27	21	
BMS-32/03	5.5	7.5	54	52	49	46	42	39	37	31	25	
BMS-32/04R2	7.5	10	66	63	59	55	50	47	44	38	29	
BMS-32/04	7.5	10	72	69	66	62	56	53	50	42	34	
BMS-32/05R2	11	15	84	80	76	71	64	61	57	48	37	
BMS-32/05	11	15	91	87	83	78	71	66	62	53	42	
BMS-32/06R2	11	15	101	97	92	87	79	75	70	59	47	
BMS-32/06	11	15	109	105	101	95	87	83	77	65	52	
BMS-32/07R2	15	20	119	115	110	105	96	90	84	71	57	
BMS-32/07	15	20	127	123	118	112	103	97	91	78	61	
BMS-32/08R2	15	20	136	132	127	120	110	104	97	82	66	
BMS-32/08	15	20	143	139	134	126	117	111	104	88	70	
BMS-32/09R2	18.5	25	153	149	144	137	126	119	112	95	75	
BMS-32/09	18.5	25	161	157	152	145	134	126	119	102	80	
BMS-32/10R2	18.5	25	172	168	162	154	143	135	127	108	84	
BMS-32/10	18.5	25	179	174	169	162	149	142	134	114	88	
BMS-32/11R2	22	30	189	184	178	170	158	149	141	120	93	
BMS-32/11	22	30	197	192	186	178	165	157	148	126	97	
BMS-32/12R2	22	30	207	202	196	187	174	165	155	132	102	
BMS-32/12	22	30	214	210	203	194	180	171	161	137	107	
BMS-32/13R2	30	40	225	220	213	203	188	179	169	143	112	
BMS-32/13	30	40	232	227	220	210	197	187	177	150	118	
BMS-32/14R2	30	40	243	238	230	220	206	197	185	156	124	
BMS-32/14	30	40	250	245	237	227	212	203	192	163	130	

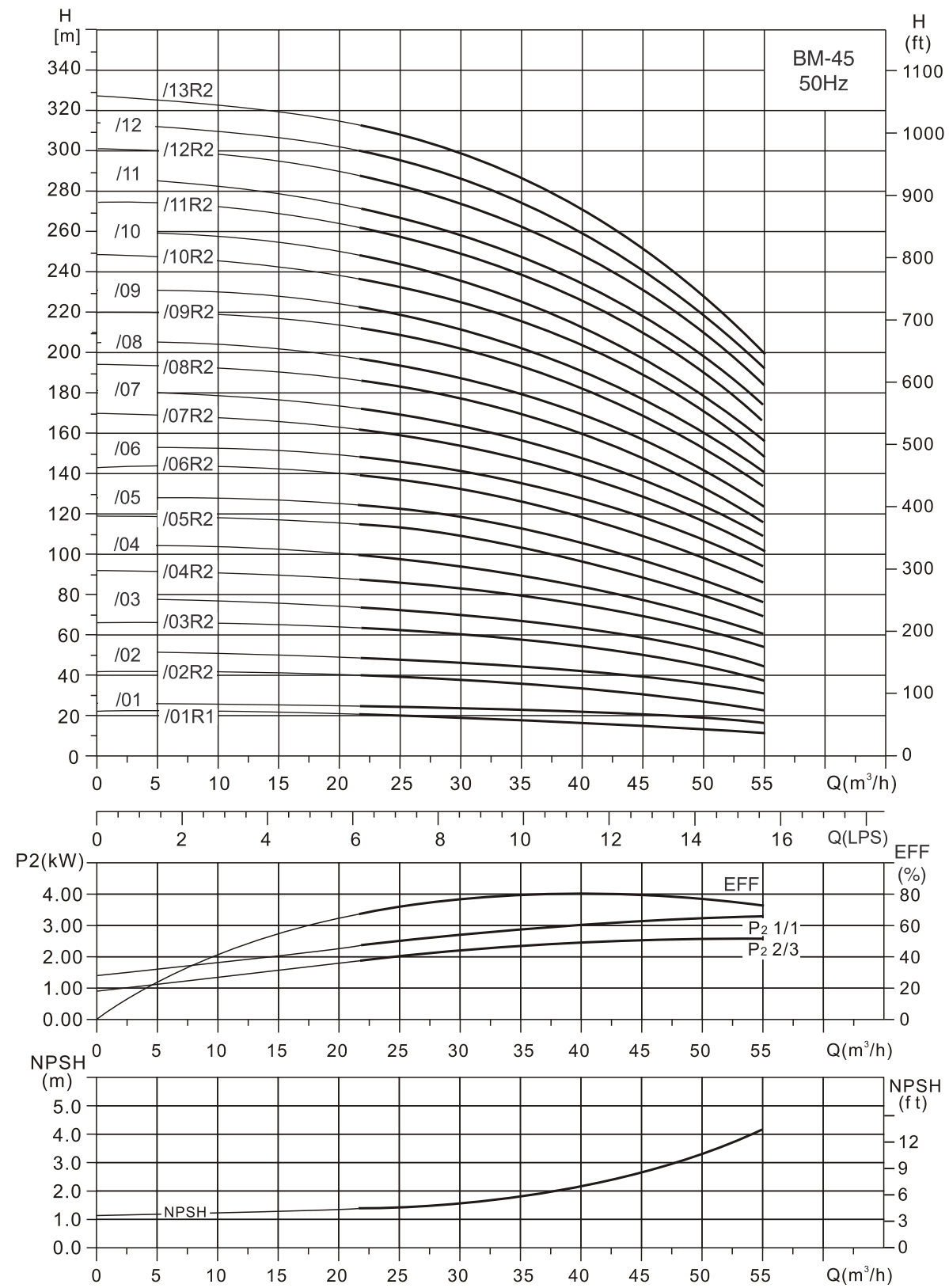
Dimension & Weight Details



Model	Dimensions (mm)						Weight (KG)
	B1	B2	B1 + B2	D	D1	D2	
BMS-S32/01R1	455	241/293	696/748	-	154	111	60
BMS-S32/01	455	275/293	730/748	-	177	116	61
BMS-32/02R2	525	293	800	-	177	116	75
BMS-32/02	525	305	830	-	197	148	86
BMS-32/03R2	595	305	900	-	197	148	105
BMS-32/03	620	390	1010	300	275	210	105
BMS-32/04R2	690	390	1080	300	275	210	116
BMS-32/04	690	390	1080	300	275	210	117
BMS-32/05R2	915	505	1420	350	330	255	170
BMS-32/05	915	505	1420	350	330	255	171
BMS-32/06R2	985	505	1490	350	330	255	176
BMS-32/06	985	505	1490	350	330	255	176
BMS-32/07R2	1055	505	1560	350	330	255	206
BMS-32/07	1055	505	1560	350	330	255	207
BMS-32/08R2	1125	505	1630	350	330	255	208
BMS-32/08	1125	505	1630	350	330	255	209
BMS-32/09R2	1195	560	1750	350	330	255	225
BMS-32/09	1195	560	1750	350	330	255	226
BMS-32/10R2	1265	560	1820	350	330	255	230
BMS-32/10	1265	560	1820	350	330	255	231
BMS-32/11R2	1335	590	1925	350	380	280	270
BMS-32/11	1335	590	1925	350	380	280	271
BMS-32/12R2	1405	590	1995	350	380	280	275
BMS-32/12	1405	590	1995	350	380	280	276
BMS-32/13R2	1475	660	2135	400	420	305	395
BMS-32/13	1475	660	2135	400	420	305	395
BMS-32/14R2	1525	660	2185	400	420	305	400
BMS-32/14	1525	660	2185	400	420	305	400

In view of continuous improvements in our design and process, the information, dimensions and specifications given herein are subject to change without notice.

Replace 3rd digit in model name as 'C' for CI Pump housing & Pump Cover and 'N' for SS316 Pump housing & Pump Cover. Suffix 'S' for single phase & 'T' for three phase motor.

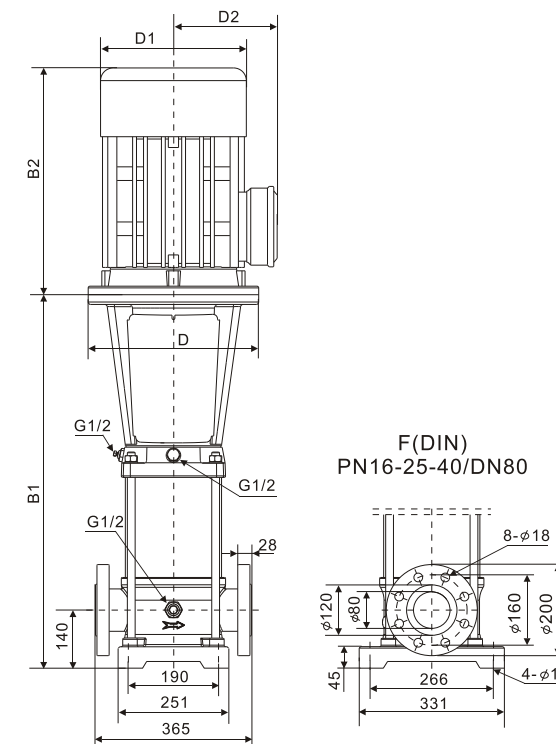


Performance Table

2900 rpm

Model	Power		Q (m³/h)	25	30	35	40	45	50	55
	P ₂ (kW)	HP								
BMS-45/01R1	3.0	4	HEAD IN METERS	20	19	18	17	15	13	11
BMS-45/01	4.0	5.5		24	23	22	21	19	18	16
BMS-45/02R2	5.5	7.5		40	38	36	33	30	27	23
BMS-45/02	7.5	10		48	46	44	42	39	35	31
BMS-45/03R2	11	15		63	61	58	54	50	44	38
BMS-45/03	11	15		72	70	67	63	58	53	45
BMS-45/04R2	15	20		87	84	80	75	69	62	54
BMS-45/04	15	20		98	94	87	84	77	70	61
BMS-45/05R2	18.5	25		113	108	102	96	88	80	69
BMS-45/05	18.5	25		123	118	112	105	97	88	77
BMS-45/06R2	22	30		137	132	125	118	109	98	86
BMS-45/06	22	30		147	141	135	127	118	107	94
BMS-45/07R2	30	40		160	154	147	139	128	116	101
BMS-45/07	30	40		169	164	156	147	136	124	109
BMS-45/08R2	30	40	184	178	169	160	147	132	116	
BMS-45/08	30	40	194	189	180	168	155	141	124	
BMS-45/09R2	30	40	209	202	193	182	169	152	133	
BMS-45/09	37	50	219	212	203	191	177	161	141	
BMS-45/10R2	37	50	233	225	215	203	188	170	148	
BMS-45/10	37	50	245	236	225	212	196	179	156	
BMS-45/11R2	45	60	259	250	239	226	209	191	166	
BMS-45/11	45	60	267	259	248	235	217	198	174	
BMS-45/12R2	45	60	284	274	263	248	230	209	183	
BMS-45/12	45	60	295	286	273	259	239	219	192	
BMS-45/13R2	45	60	309	300	286	270	250	227	199	

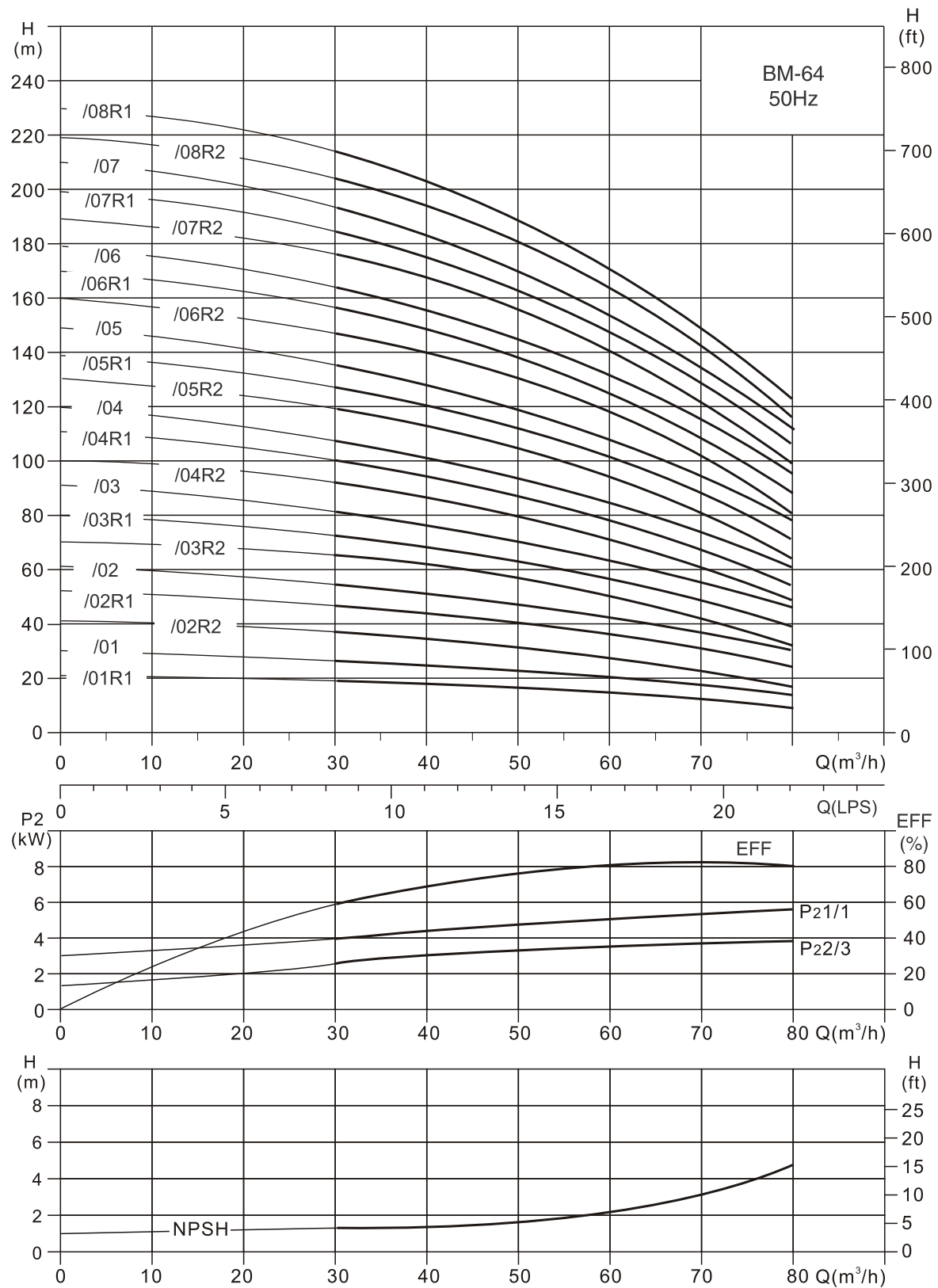
Dimension & Weight Details



Model	Dimensions (mm)						Weight (KG)
	B1	B2	B1 + B2	D	D1	D2	
BMS-45/01R1	561	293	876	-	197	165	86
BMS-45/01	561	315	876	-	260	165	86
BMS-45/02R2	641	430	1071	300	260	208	102
BMS-45/02	641	430	1071	300	330	208	102
BMS-45/03R2	826	490	1316	350	330	255	175
BMS-45/03	826	490	1316	350	330	255	175
BMS-45/04R2	906	490	1396	350	330	255	187
BMS-45/04	906	490	1396	350	330	255	187
BMS-45/05R2	986	550	1536	350	330	255	208
BMS-45/05	986	550	1536	350	330	255	208
BMS-45/06R2	1066	590	1656	350	360	285	251
BMS-45/06	1066	590	1656	350	360	285	251
BMS-45/07R2	1146	660	1806	400	420	310	315
BMS-45/07	1146	660	1806	400	420	310	315
BMS-45/08R2	1226	660	1886	400	420	310	319
BMS-45/08	1226	660	1886	400	420	310	319
BMS-45/09R2	1306	660	1966	400	420	310	323
BMS-45/09	1306	660	1966	400	420	310	323
BMS-45/10R2	1386	660	2046	400	420	310	347
BMS-45/10	1386	660	2046	400	420	310	347
BMS-45/11R2	1466	700	2166	450	470	345	413
BMS-45/11	1466	700	2166	450	470	345	413
BMS-S45/12R2	1546	700	2246	450	470	345	417
BMS-S45/12	1546	700	2246	450	470	345	417
BMS-S45/13R2	1626	700	2326	450	470	345	421

In view of continuous improvements in our design and process, the information, dimensions and specifications given herein are subject to change without notice.

Replace 3rd digit in model name as 'C' for CI Pump housing & Pump Cover and 'N' for SS316 Pump housing & Pump Cover. Suffix 'S' for single phase & 'T' for three phase motor.

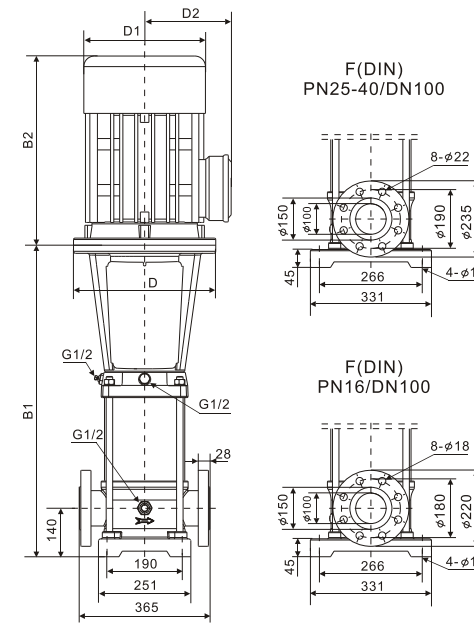


Performance Table

2900 rpm

Model	Power		Q (m³/h)	30	40	50	60	64	70	80
	P ₂ (kW)	HP								
BMS-64/01R1	4.0	5.5	HEAD IN METERS	19	18	16	14	13	11.5	9
BMS-64/01	5.5	7.5		27	25	23	20	19	17	14
BMS-64/02R2	7.5	10		37	35	32	28	26	23	17
BMS-64/02R1	11	15		47	44	40	36	34	30	24
BMS-64/02	11	15		55	51	47	42	40	37	30
BMS-64/03R2	15	20		66	62	56	50	46	41	32
BMS-64/03R1	15	20		73	69	63	56	53	48	39
BMS-64/03	18.5	25		81	76	70	64	60	55	46
BMS-64/04R2	18.5	25		92	87	80	71	66	60	49
BMS-64/04R1	22	30		100	94	87	78	73	67	54
BMS-64/04	22	30		107	101	94	85	80	74	61
BMS-64/05R2	30	40		119	113	105	95	89	80	64
BMS-64/05R1	30	40		128	121	112	102	96	87	71
BMS-64/05	30	40		136	129	119	109	103	94	78
BMS-64/06R2	30	40		147	140	130	118	112	101	81
BMS-64/06R1	37	50		157	149	138	125	118	108	88
BMS-64/06	37	50		164	156	145	132	125	115	95
BMS-64/07R2	37	50		176	167	156	140	133	121	99
BMS-64/07R1	37	50		185	176	163	147	140	128	106
BMS-64/07	45	60		193	183	170	155	147	135	112
BMS-64/08R2	45	60		204	194	181	164	155	142	116
BMS-64/08R1	45	60		214	203	189	170	162	149	123

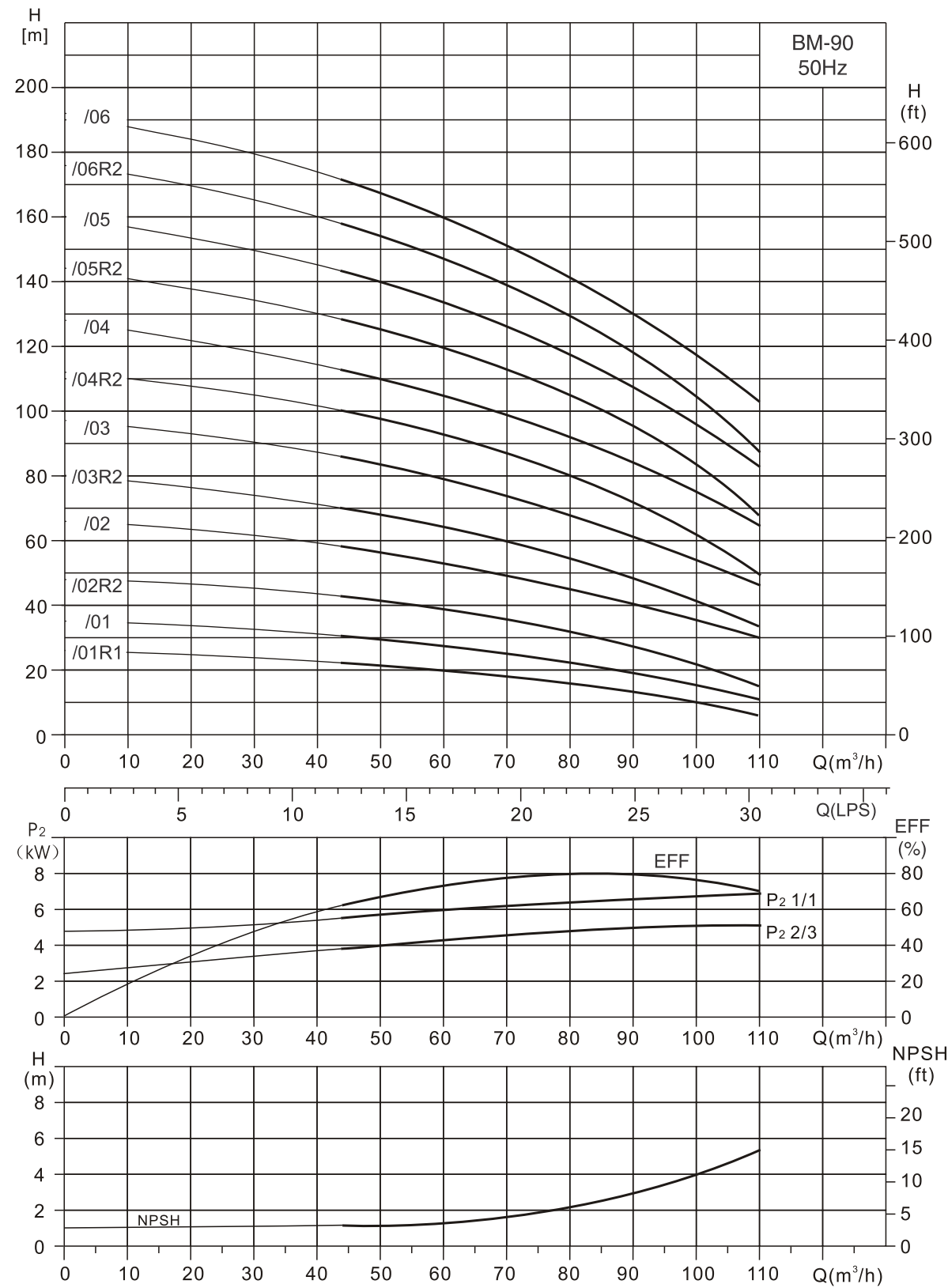
Dimension & Weight Details



Model	Dimensions (mm)						Weight (KG)
	B1	B2	B1 + B2	D	D1	D2	
BMS-64/01R1	561	335	896	-	230	188	105
BMS-64/01	561	430	991	300	260	208	110
BMS-64/02R2	644	430	1074	300	260	208	120
BMS-64/02R1	754	490	1244	350	330	255	155
BMS-64/02	754	490	1244	350	330	255	155
BMS-64/03R2	836	490	1326	350	330	255	195
BMS-64/03R1	836	490	1326	350	330	255	195
BMS-64/03	836	550	1386	350	330	255	205
BMS-64/04R2	919	550	1469	350	330	255	208
BMS-64/04R1	919	590	1509	350	360	285	260
BMS-64/04	919	590	1509	350	360	285	260
BMS-64/05R2	1001	660	1661	400	420	310	345
BMS-64/05R1	1001	660	1661	400	420	310	345
BMS-64/05	1001	660	1661	400	420	310	345
BMS-64/06R2	1084	660	1744	400	420	310	350
BMS-64/06R1	1084	660	1744	400	420	310	370
BMS-64/06	1084	660	1744	400	420	310	370
BMS-64/07R2	1166	660	1826	400	420	310	375
BMS-64/07R1	1166	660	1826	400	420	310	375
BMS-64/07	1166	700	1866	450	420	310	435
BMS-64/08R2	1248	700	1948	450	470	345	440
BMS-64/08R1	1248	700	1948	450	470	345	440A

In view of continuous improvements in our design and process, the information, dimensions and specifications given herein are subject to change without notice.

Replace 3rd digit in model name as 'C' for CI Pump housing & Pump Cover and 'N' for SS316 Pump housing & Pump Cover. Suffix 'S' for single phase & 'T' for three phase motor.

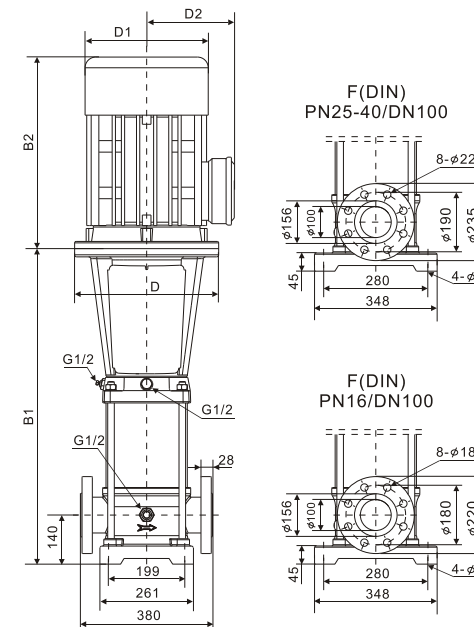


Performance Table

2900 rpm

Model	Power		Q (m³/h)	50	60	70	80	85	90	100	110
	P ₂ (kW)	HP									
BMS-90/01R1	5.5	7.5	HEAD IN METERS	22	20	18	16	15	13	10	6
BMS-90/01	7.5	10		30	27	25	23	21	19	15	11
BMS-90/02R2	11	15		41	39	36	32	30	28	22	15
BMS-90/02	15	20		56	53	49	45	43	40	35	30
BMS-90/03R2	18.5	25		68	65	60	55	52	49	41	33
BMS-90/03	22	30		83	79	73	67	64	61	54	47
BMS-90/04R2	30	40		98	93	87	80	76	72	62	50
BMS-90/04	30	40		110	105	100	92	88	84	75	65
BMS-90/05R2	37	50		126	120	113	105	100	95	83	68
BMS-90/05	37	50		140	133	126	117	113	107	95	83
BMS-90/06R2	45	60		155	148	139	129	124	118	104	87
BMS-90/06	45	60		168	160	151	141	135	130	117	103

Dimension & Weight Details



Model	Dimensions (mm)						Weight (KG)
	B1	B2	B1 + B2	D	D1	D2	
BMS-90/01R1	571	430	1001	300	260	208	120
BMS-90/01	571	430	1001	300	260	208	122
BMS-90/02R2	773	490	1263	350	330	255	165
BMS-90/02	773	490	1263	350	330	255	198
BMS-90/03R2	865	550	1415	350	330	255	212
BMS-90/03	865	590	1455	350	360	285	265
BMS-90/04R2	957	660	1417	400	420	310	348
BMS-90/04	957	660	1617	400	420	310	348
BMS-90/05R2	1049	660	1709	400	420	310	375
BMS-90/05	1049	660	1709	400	420	310	375
BMS-90/06R2	1141	700	1841	450	470	345	438
BMS-90/06	1141	700	1841	450	470	345	438

In view of continuous improvements in our design and process, the information, dimensions and specifications given herein are subject to change without notice.

Replace 3rd digit in model name as 'C' for CI Pump housing & Pump Cover and 'N' for SS316 Pump housing & Pump Cover. Suffix 'S' for single phase & 'T' for three phase motor.

Range	BMC-1 BMS-1	BMC-2 BMS-2	BMC-3 BMS-3	BMC-4 BMS-4	BMC-5 BMS-5	BMC-10 BMS-10	BMC-15 BMS-15	BMC-20 BMS-20	BMC-32 BMS-32	BMC-45 BMS-45	BMC-64 BMS-64	BMC-90 BMS-90
Rated Flow [m³/h]	1	2	3	4	5	10	15	20	32	45	64	90
Temperature range [°C]	-20~+104											
Temperature range [°C]	-40~+180						-40~+180					
Max Efficiency [%]	44	45	56	58	65	66	68	69	77	78	80	81
Flow range [m³/h]	0.7-2.4	1-3.2	1.2-4.5	2-4.8	2.5-8	5-13	9-24	10-29	14-40	20-56	30-85	40-120
Max Pressure [bar]	22	25	24	25	24	22	23	25	28	26	20	20
High Pressure on request [bar]	47	47	47	47	47	47	47	47	39	40	39	39
Motor power [kW]	0.37-2.2	0.37-3	0.37-3	0.37-4	0.37-5.5	0.37-7.5	1.1-15	1.1-18.5	1.5-30	3-45	4-45	5.5-45
Material type												
BMC Cast iron, S.S EN1.4301/AISI 304	●	●	●	●	●	●	●	●	●	●	●	●
BMS EN1.4301/AISI 304	●	●	●	●	●	●	●	●	●	●	●	●
BMN EN1.4401/AISI 316	●	●	●	●	●	●	●	●	●	●	●	●
pipe connection												
Flange	DN25 DN32	DN25 DN32	DN25 DN32	DN25 DN32	DN25 DN32	DN40	DN50	DN50	DN65	DN80	DN100	DN100
Flange on request	-	-	-	-	-	DN50	-	-	-	-	-	-
Pipe connection												
Pipe size	G1 G1¼	G1 G1¼	G1 G1¼	G1 G1¼	G1 G1¼	G2	G2½	G2½	-	-	-	-
Optional Pipe size on request	G1½	G1½	G1½	G1½	G1½	-	G2	G2	-	-	-	-
Flange	DN25 DN32	DN25 DN32	DN25 DN32	DN25 DN32	DN25 DN32	DN40	DN50	DN50	DN65	DN80	DN100	DN100
Flange on request	-	-	-	-	-	DN50	-	-	-	-	-	-
PJE coupling	G1¼ DN32	G1¼ DN32	G1¼ DN32	G1¼ DN32	G1¼ DN32	G2 DN50	G2 DN50	G2 DN50	-	-	-	-

EFF2 Motor

Power P ₂ (kW)	Voltage (V)	Current I _n (A)	Power Factor Cos φ	Efficiency (%)	I _{st} /I _n
0.37	Δ 220 / Y380	Δ 1.K / Y 1.0	078	700	6.2
0.55	Δ 220 / Y 380	Δ 2.5 / Y 1.5	081	710	6.4
0.75	Δ 220 / Y 380	Δ 3.3 / Y 1.9	082	720	6.5
1.1	Δ 220 / Y 380	Δ 4.6 / Y 2.7	082	765	7.2
1.5	Δ 220 / Y 380	Δ 6.2 / Y 3.6	083	768	7.3
2.2	Δ 220 / Y 380	Δ 8.5 / Y 4.9	084	811	7.5
3.0	Δ 220 / Y 380	Δ 11.5 / Y 6.7	084	815	7.5
4.0	Δ 380 / Y 660	Δ 8.2 / Y 4.7	088	842	7.5
5.5	Δ 380 / Y 660	Δ 11.1 / Y 6.4	088	857	81
7.5	Δ 380 / Y 660	Δ 14.9 / Y 8.6	088	870	83
11	Δ 380 / Y 660	Δ 21.2 / Y 12.2	089	884	8.4
15	Δ 380 / Y 660	Δ 28.6 / Y 16.5	089	894	8.5
18.5	Δ 380 / Y 660	Δ 34.7 / Y 20.0	090	900	8.5
22	Δ 380 / Y 660	Δ 41.0 / Y 23.6	090	905	8.4
30	Δ 380 / Y 660	Δ 55.4 / Y 31.9	090	914	7.5
37	Δ 380 / Y 660	Δ 67.9 / Y 39.1	090	920	7.5
45	Δ 380 / Y 660	Δ 82.1 / Y 47.3	090	925	7.5

le2 Motor

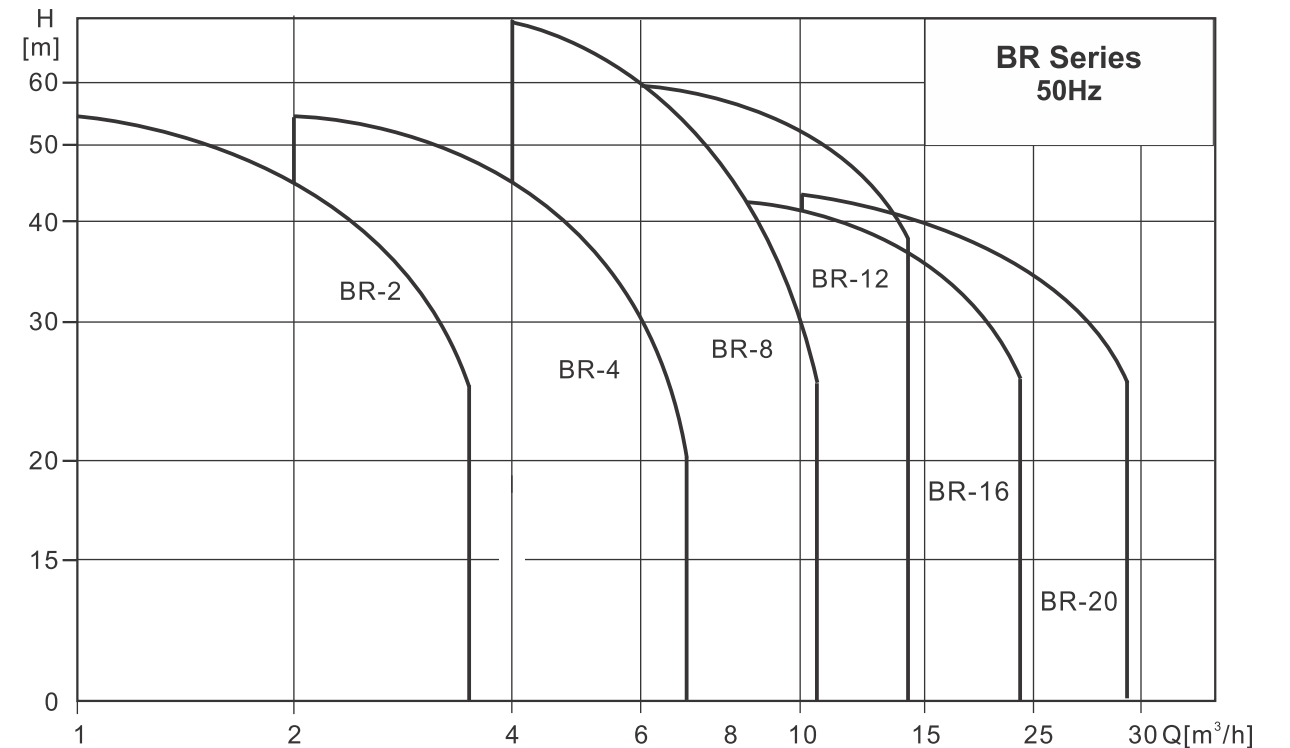
Power P ₂ (kW)	Voltage (V)	Current I _n (A)	Power Factor Cos φ	Efficiency (%)	I _{st} /I _n
0.75	Δ 220 / Y 380	Δ 3.1 / Y 1.8	0.83	77.6	6.7
1.1	Δ 220 / Y 380	Δ 4.2 / Y 2.4	0.83	82.9	7.4
1.5	Δ 220 / Y 380	Δ 5.6 / Y 3.2	0.84	84.2	7.7
2.2	Δ 220 / Y 380	Δ 7.9 / Y 4.6	0.85	85.7	7.6
3.0	Δ 220 / Y 380	Δ 10.4 / Y 6.0	0.87	86.8	7.6
4.0	Δ 380 / Y 660	Δ 7.9 / Y 4.5	0.88	87.7	7.6
5.5	Δ 380 / Y 660	Δ 10.7 / Y 6.2	0.88	88.7	7.6
7.5	Δ 380 / Y 660	Δ 14.5 / Y 8.3	0.88	89.6	7.3
11	Δ 380 / Y 660	Δ 21.0 / Y 12.1	0.88	90.6	7.4
15	Δ 380 / Y 660	Δ 28.3 / Y 16.3	0.88	91.4	7.6
18.5	Δ 380 / Y 660	Δ 34.8 / Y 20.0	0.88	91.9	7.7
22	Δ 380 / Y 660	Δ 41.2 / Y 23.7	0.88	92.3	7.6
30	Δ 380 / Y 660	Δ 55.8 / Y 32.1	0.88	92.9	7.1
37	Δ 380 / Y 660	Δ 68.4 / Y 39.4	0.88	93.4	7.1
45	Δ 380 / Y 660	Δ 83.0 / Y 47.8	0.88	93.6	7.1



HORIZONTAL MULTISTAGE CENTRIFUGAL PUMPS - BR SERIES

Technical Specifications

Power Range	0.37 - 4 kW / 0.5 - 5.5 HP
Version	1Ph - 230V, 50Hz AC 3Ph - 380 -415V, 50Hz AC
Speed	2900 RPM
Protection	IP 55
Insulation Class	F Class
Duty	S1 (continuous)
Direction of Rotation	Clockwise viewed from driving end
Sealing	Mechanical Seal
Max. Liquid Temperature	Std.: -15 to +70°C, High Temp.: upto 104°C
Max. Ambient Temperature	50°C
Max. Operating Pressure	10 Bar
Flow Range	upto 28m³/h
Head Range	upto 65m



Model Nomenclature

XXX - (S)(X)X / XX (X) XXX

BR - Horizontal Multistage Pumps

Materials of Construction

Std.: CI Suction & Delivery Housing
Applicable only for special construction

S= Complete SS304 Const.

N= Complete SS316 Const.

F= Fabricated SS304 Suc. & Del. Housing

Applicable only for 60Hz

Rated Flow in m³/h

2 - 2m³/h, 12 - 12m³/h

Number of Stages x 10

20: 2 Stage , 40: 4 Stage

35: 4 Stage with trimmed impeller

Horizontal Multistage Pumps

Applicable only for high Eff. Motors

2 = IE2 Motor

3 = IE3 Motor

Voltage (Except for 1Ph 230V & 3Ph 380V)

D = 220V, K = 415V

Method of Starting

S: 1Ph - CSCR

T: 3Ph - D.O.L

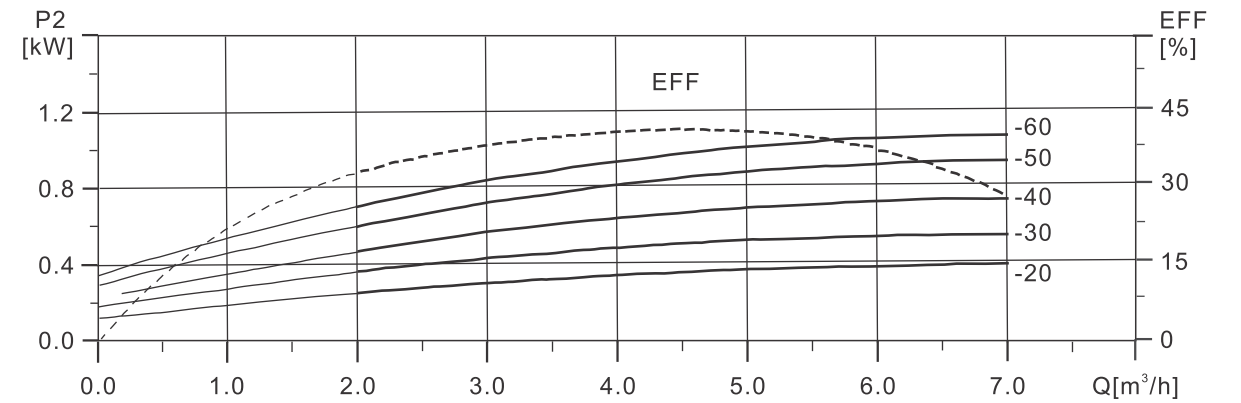
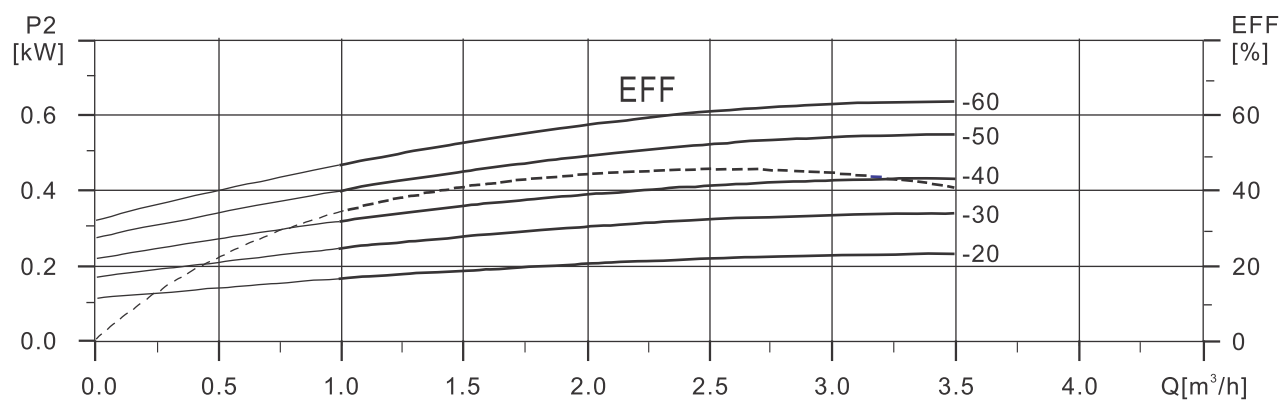
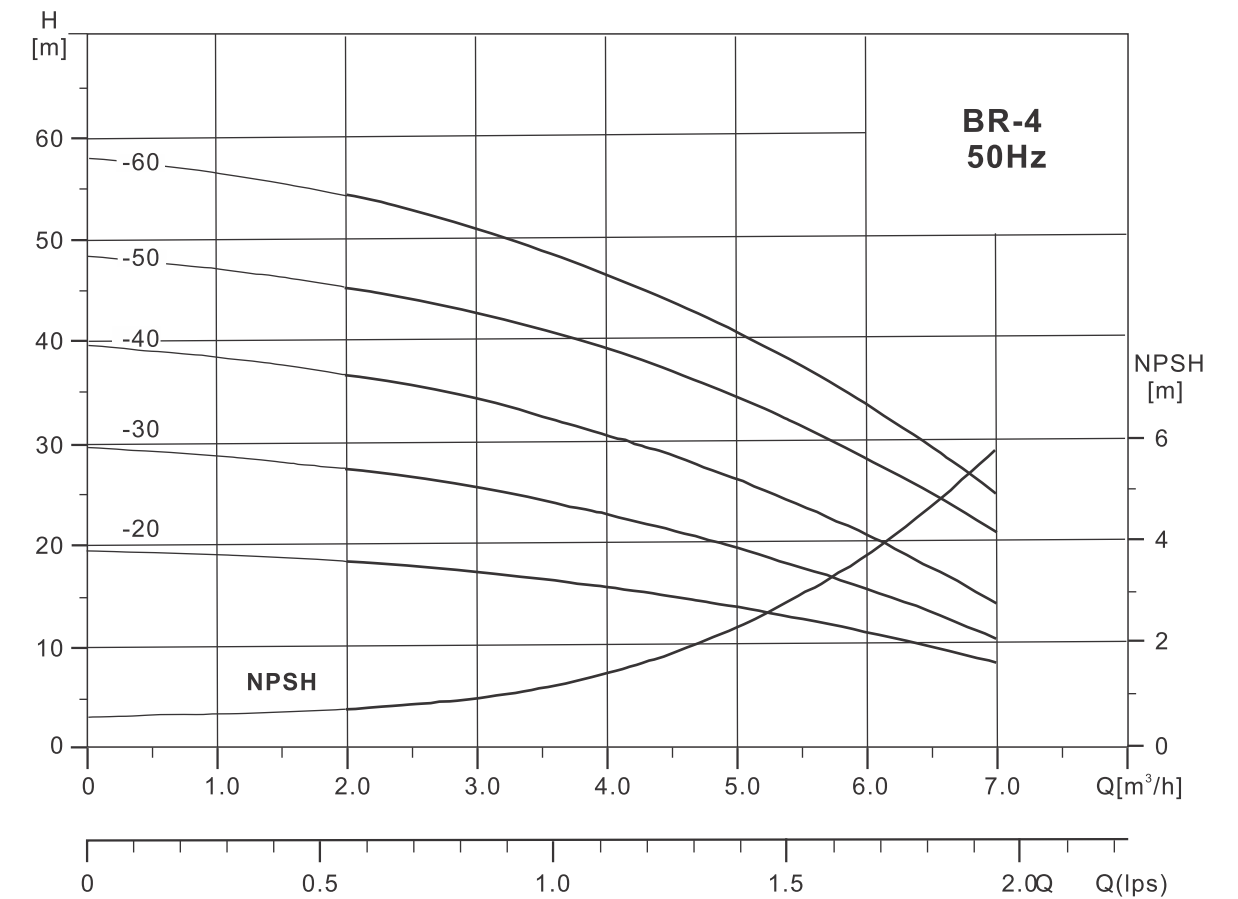
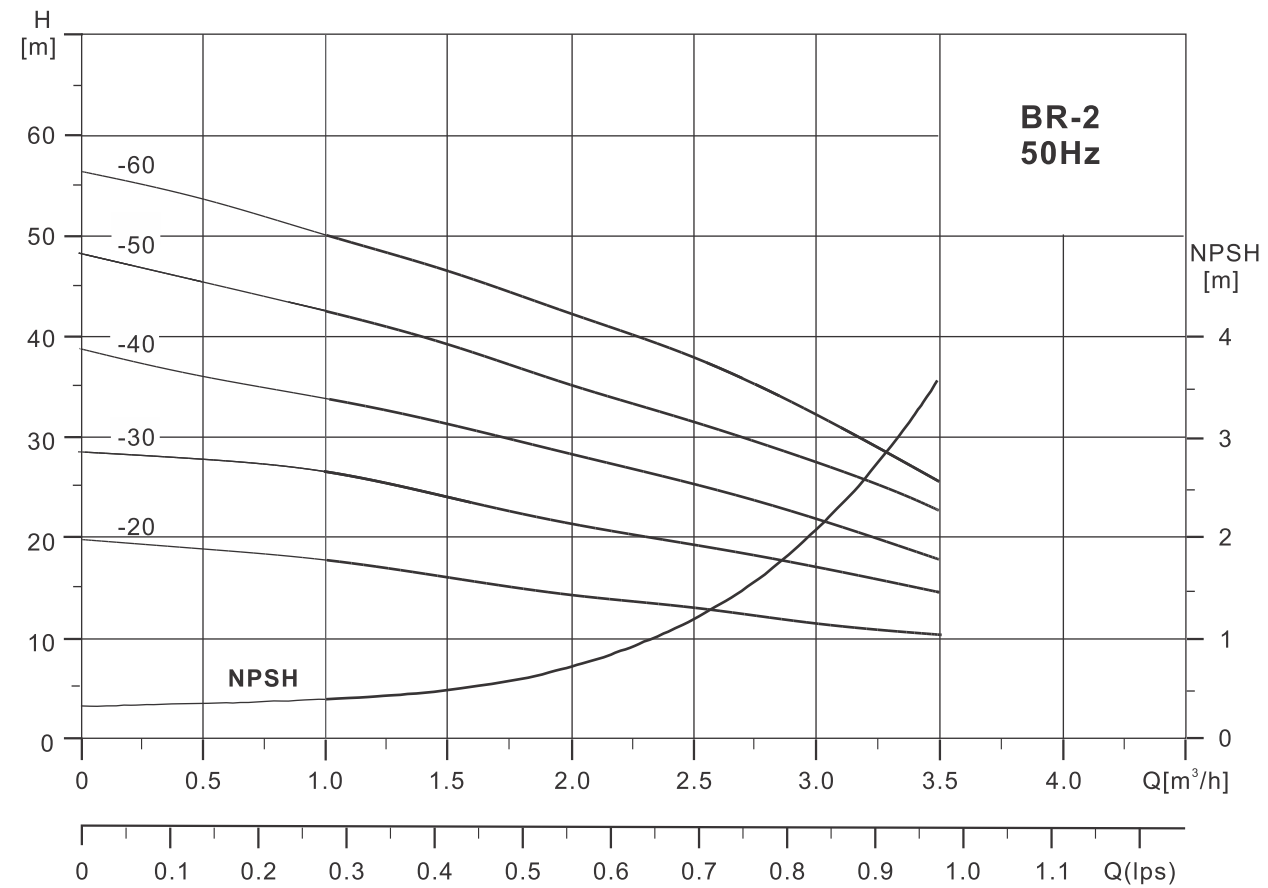
D: 3Ph - S.D.

Applicable only for high flow models

B= High Flow Models

MATERIALS OF CONSTRUCTION

Part Name	BR	BRS	BRF	BRD
Pump Casing	Cast Iron	Casted SS 304	SS 304	SS 304
Pump Head	Cast Iron	Casted SS 304	SS 304	-
Impeller	SS 304	SS 304	SS 304	SS 304
Diffuser Casing	SS 304	SS 304	SS 304	SS 304
Pump Shaft	SS 304	SS 304	SS 304	SS 304
Bracket	Aluminum Alloy	Aluminum Alloy	Aluminum Alloy	Aluminum Alloy
Mechanical Seal	Carbon / Ceramic	Carbon / Ceramic	Carbon / Ceramic	Carbon / Ceramic
Pump Base	M.S / C.I.	M.S / C.I.	M.S / C.I.	M.S / C.I.
Sleeve	SS 304	SS 304	SS 304	SS 304
Clamp Holder	SS 304	-	-	SS 304
Clamp Plate	SS 304	-	-	SS 304

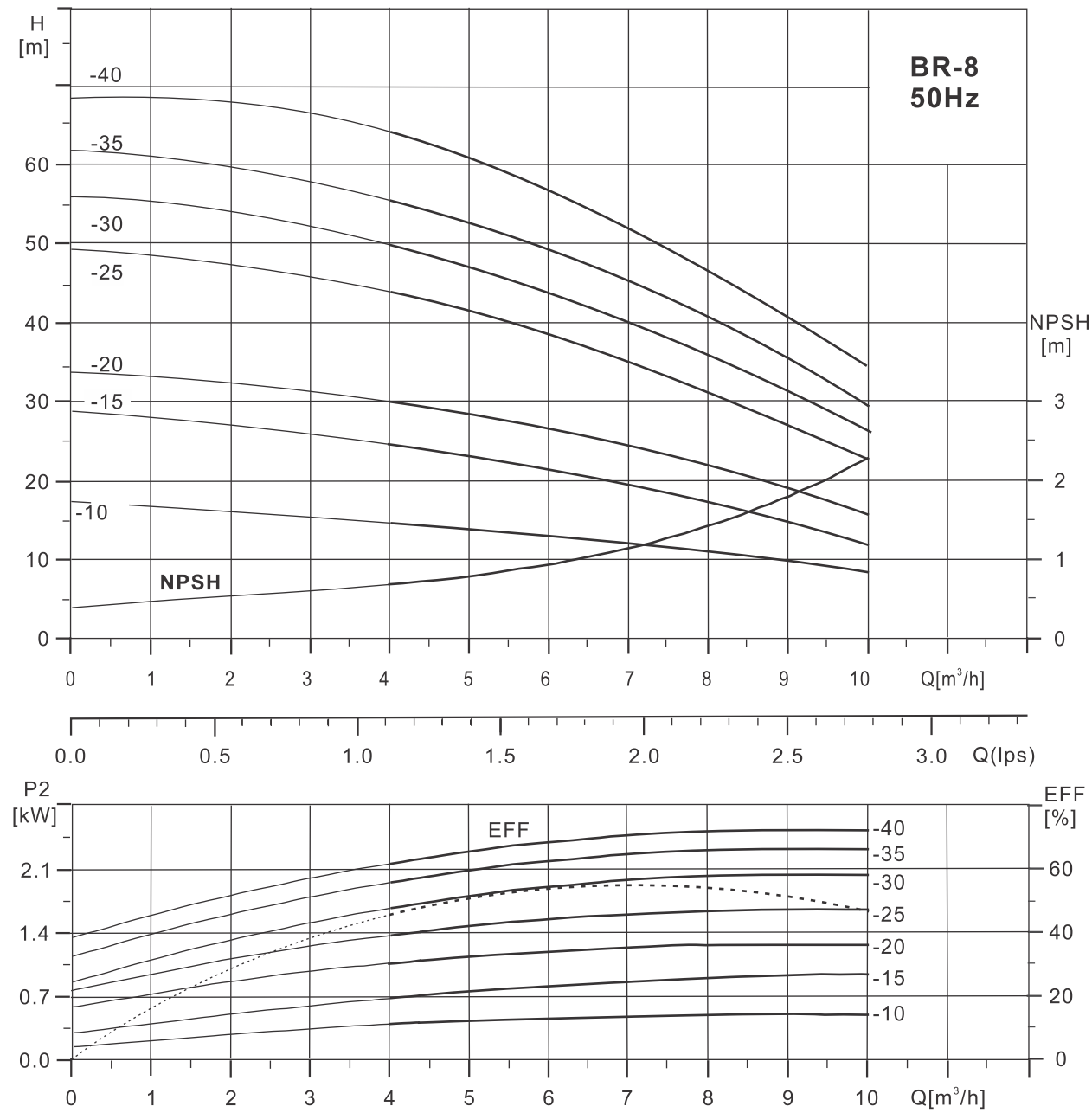


Performance Table

Model		Motor P ₂ (kW)	Q (m³/h)	H (m)					
Single Phase	Three Phase			1.0	1.5	2.0	2.5	3.0	3.5
BR-2/20S	BR-2/20T	0.37	H (m)	18	16	14	13	11	10
BR-2/30S	BR-2/30T	0.37		27	24	21	20	17	14
BR-2/40S	BR-2/40T	0.55		35	32	28	26	23	17
BR-2/50S	BR-2/50T	0.55		43	40	35	33	28	22
BR-2/60S	BR-2/60T	0.75		50	48	42	38	32	25

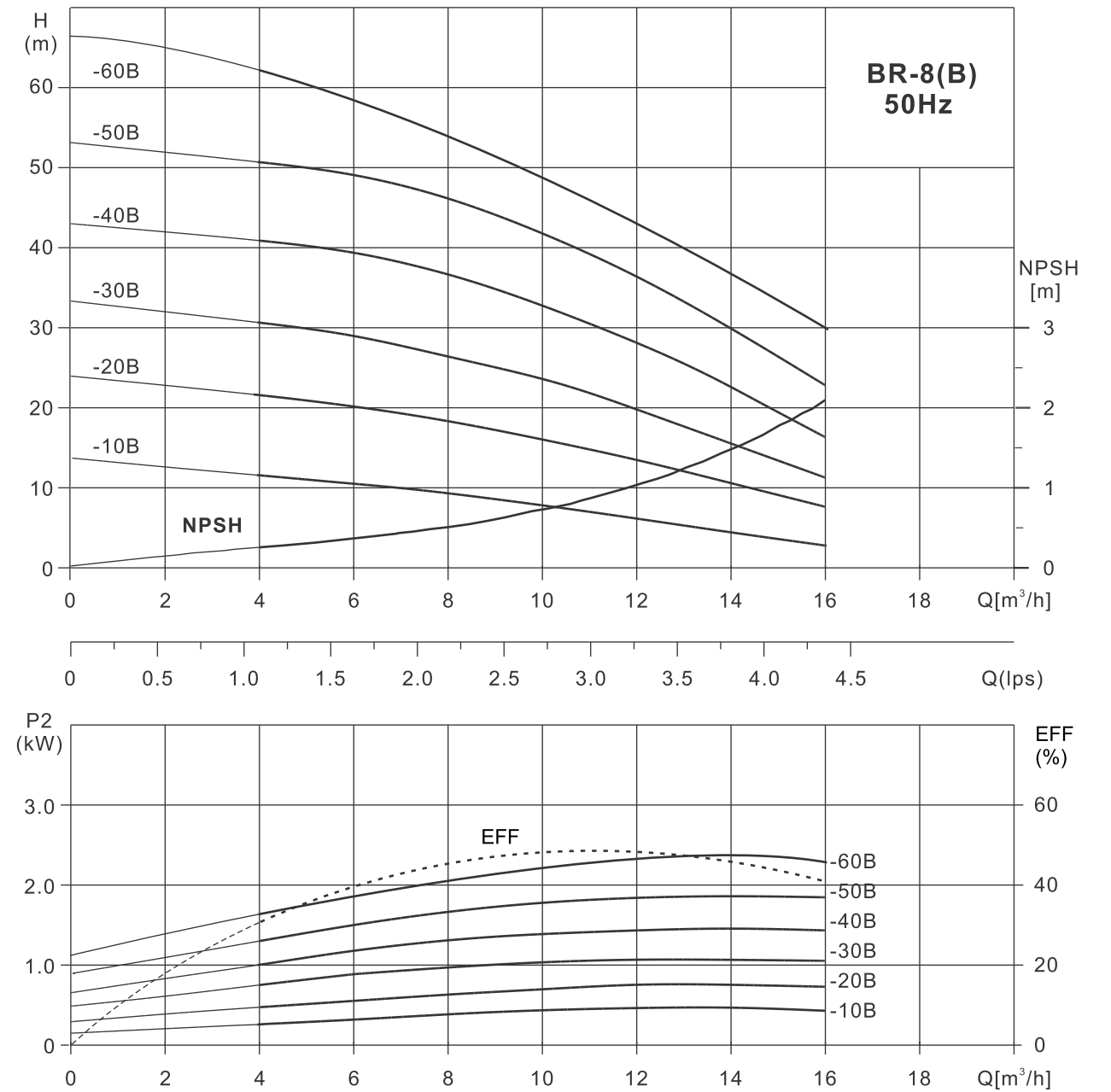
Performance Table

Model		Motor P ₂ (kW)	Q (m³/h)	H (m)					
Single Phase	Three Phase			2.0	3.0	4.0	5.0	6.0	7.0
BR-4/20S	BR-4/20T	0.55	H (m)	18	16	15	13	10	7
BR-4/30S	BR-4/30T	0.75		27	25	22	19	15	10
BR-4/40S	BR-4/40T	0.75		36	33	30	26	20	13
BR-4/50S	BR-4/50T	1.0		44	41	38	32	26	20
BR-4/60S	BR-4/60T	1.1		53	50	45	40	33	24



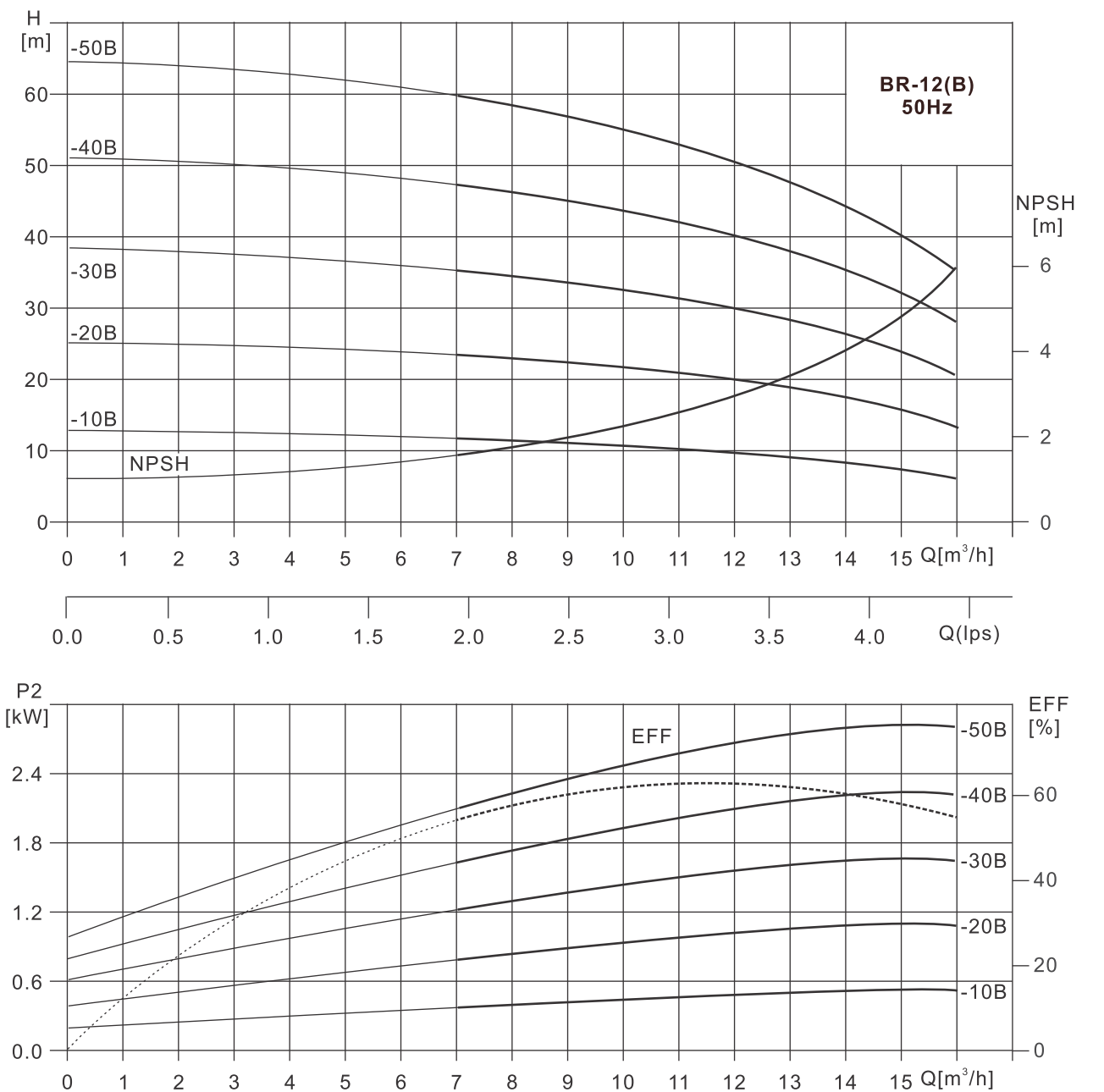
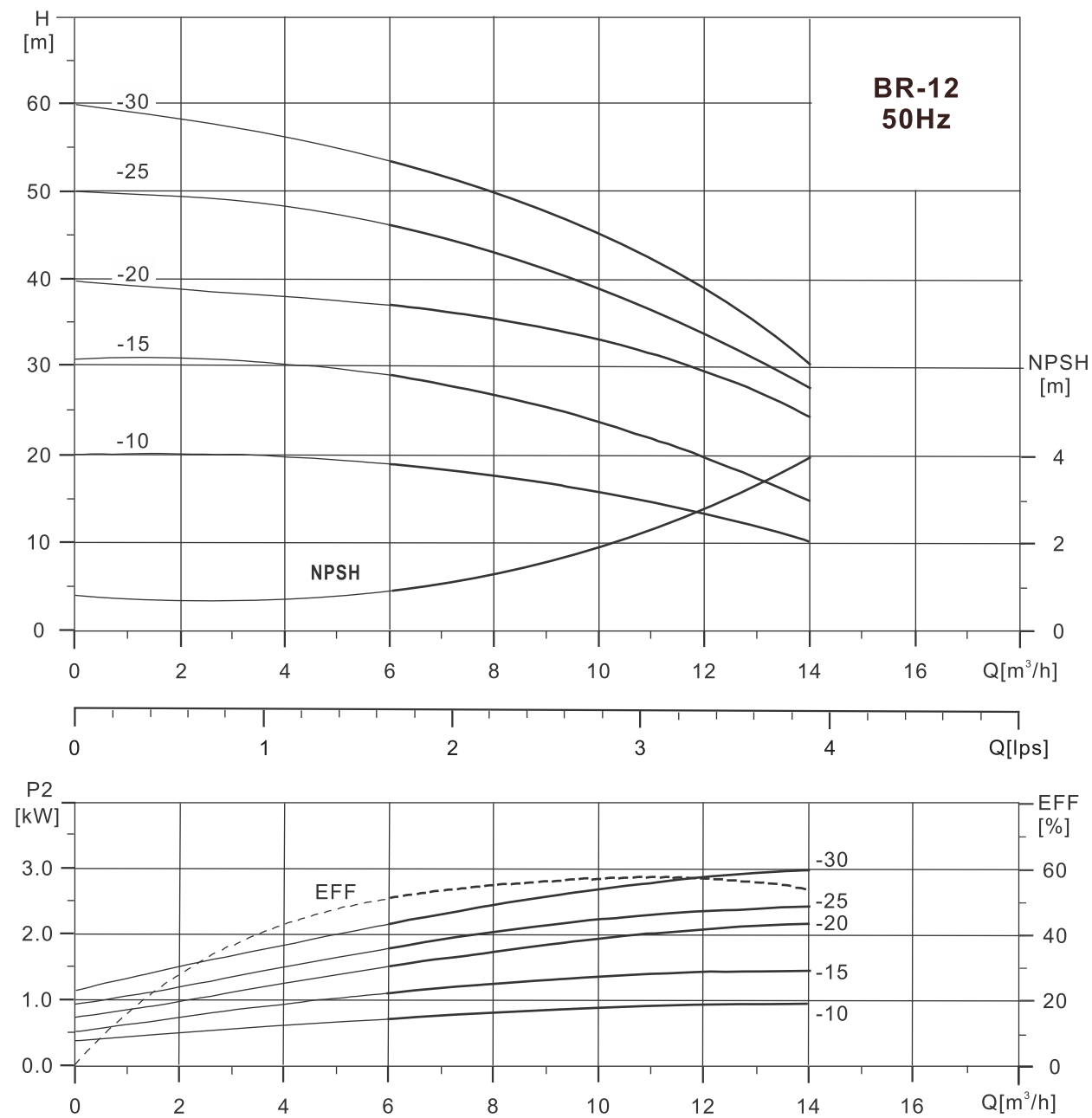
Performance Table

Model		Motor P ₂ (kW)	Q (m ³ /h)	4.0	5.0	6.0	7.0	8.0	9.0	10
Single Phase	Three Phase			H (m)						
BR-8/10S	BR-8/10T	0.55		15	14	13	12.5	12	9	8
BR-8/15S	BR-8/15T	0.75		25	23	22	21	20	14	12
BR-8/20S	BR-8/20T	1.0		32	29	27	25	24	21	17
BR-8/25S	BR-8/25T	1.5		43	40	38	34	27	25	20
BR-8/30S	BR-8/30T	1.85		50	46	44	40	36	30	26
BR-8/35S	BR-8/35T	2.2		56	51	48	44	43	35	28
BR-8/40S	BR-8/40T	2.2		65	57.5	57	50	48	42	34



Performance Table

Model		Motor P ₂ (kW)	Q (m ³ /h)	4.0	6.0	8.0	10	12	14	16
Single Phase	Three Phase			H (m)						
BR-8/10BS	BR-8/10BT	0.55		11	10	9	8	7	6	5
BR-8/20BS	BR-8/20BT	0.75		22	20	19	18	13	11	8
BR-8/30BS	BR-8/30BT	1.1		31	29	26	24	20	16	11
BR-8/40BS	BR-8/40BT	1.5		41	39	37	33	28	23	17
BR-8/50BS	BR-8/50BT	2.2		51	49	46.5	42	37	30	23
	BR-8/60BT	3.0		62	58	52	48	42	36	30

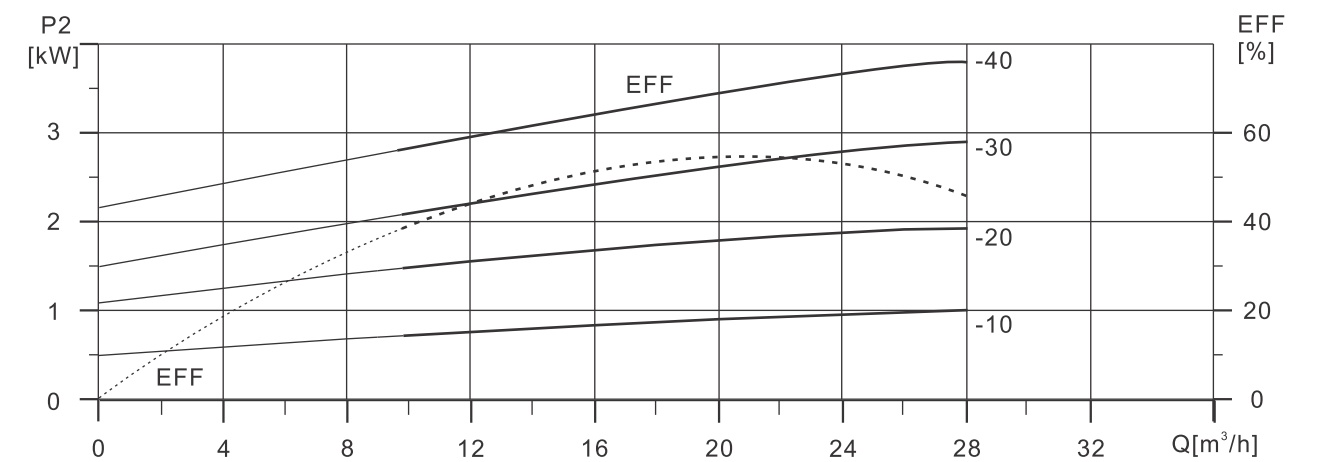
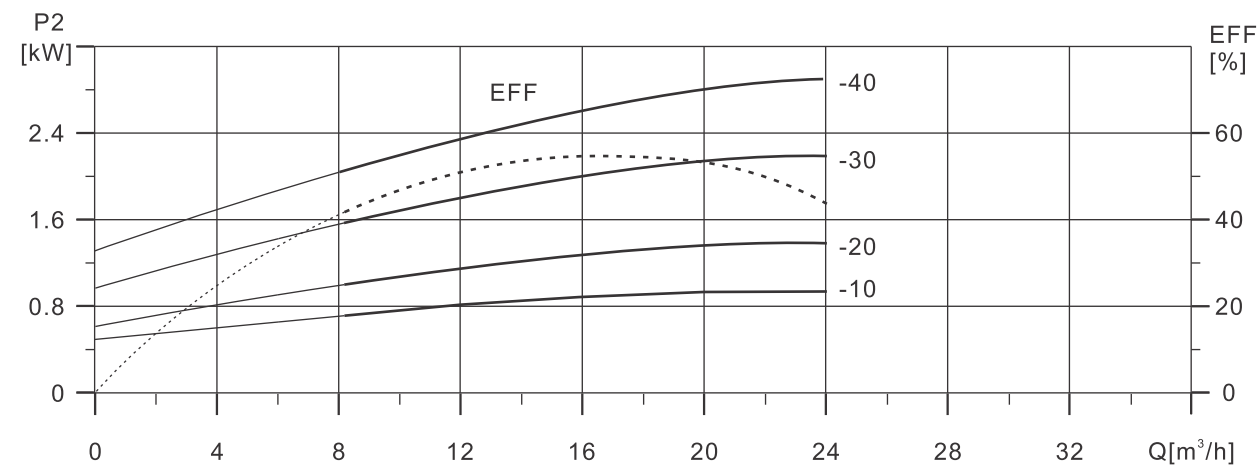
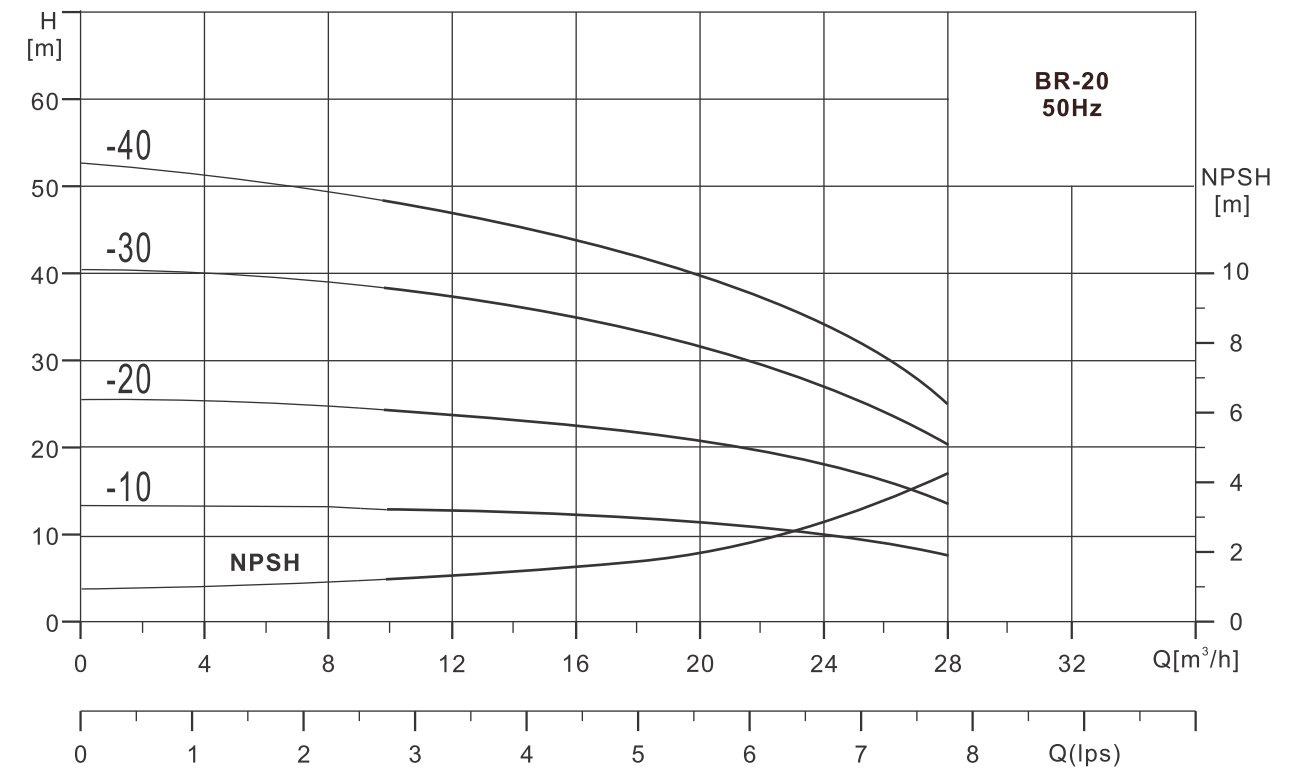
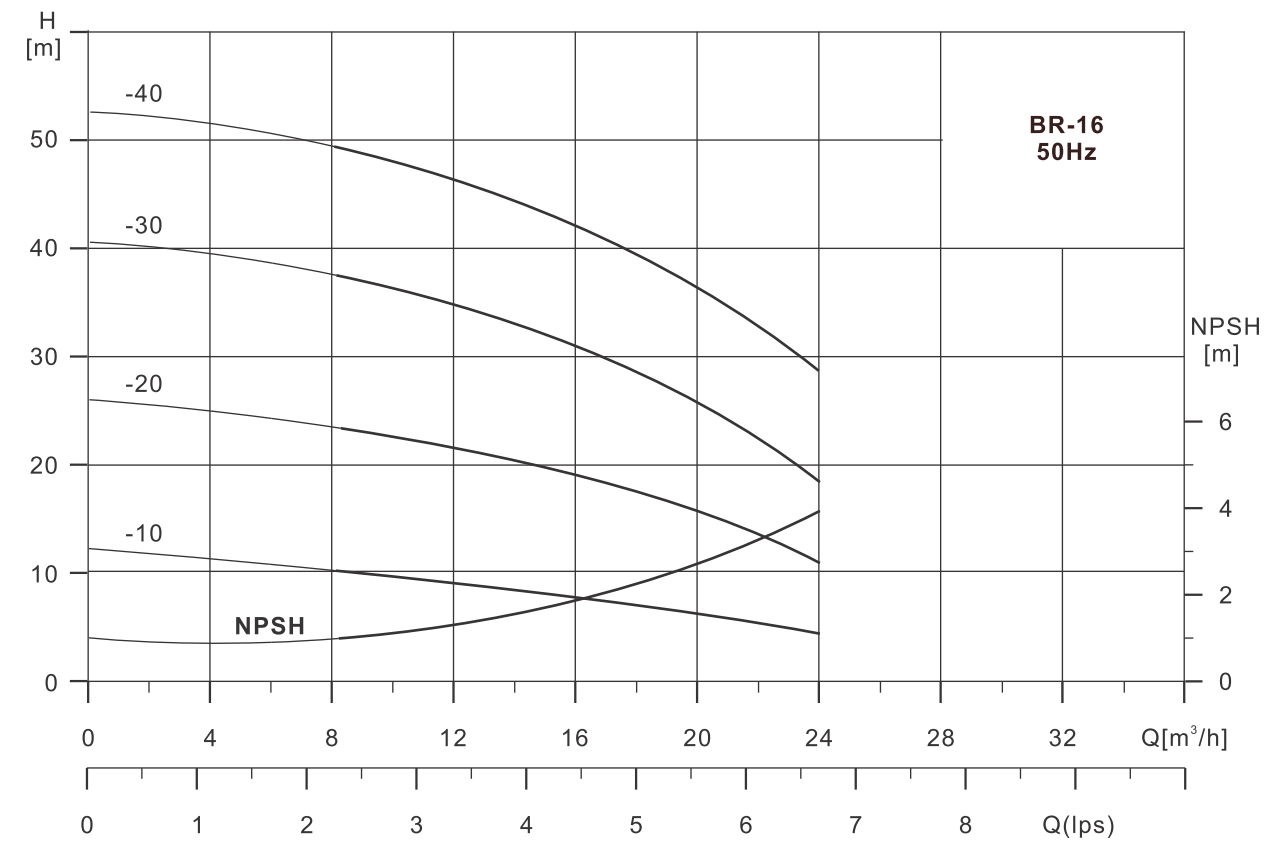


Performance Table

Model		Motor P ₂ (kW)	Q (m ³ /h)	H (m)									
Single Phase	Three Phase			6.0	7.0	8.0	9.0	10	11	12	13	14	
BR-12/10S	BR-12/10T	1.0	H (m)	19	18	17.5	16	15.5	14	13.5	12	10.5	
BR-12/15S	BR-12/15T	1.5		28	27	26	25	24	22	20	18	15	
BR-12/20S	BR-12/20T	1.85		38	36	35	32	31	29	28	24	20	
BR-12/25S	BR-12/25T	2.2		47	45	43	41.5	39	36	33.5	30.5	27	
	BR-12/30T	3.0		53.5	52	50	47.5	45	42	39	35	30	

Performance Table

Model		Motor P ₂ (kW)	Q (m ³ /h)	H (m)											
Single Phase	Three Phase			7.0	8.0	9.0	10	11	12	13	14	15	16		
BR-12/10BS	BR-12/10BT	0.75	H (m)	12	11.5	11	10.5	10	9.5	9	8	7	6		
BR-12/20BS	BR-12/20BT	1.1		23	22.5	22	21	20.5	19.5	18.5	17	15.5	13		
BR-12/30BS	BR-12/30BT	1.85		35	34.5	33.5	32.5	31	29.5	28	26	23.5	20		
BR-12/40BS	BR-12/40BT	2.2		47	46	45	43.5	41.5	39.5	37.5	35	31.5	27.5		
	BR-12/50BT	3.0		60	58	56.5	55	52.5	50	47	44	40	35		



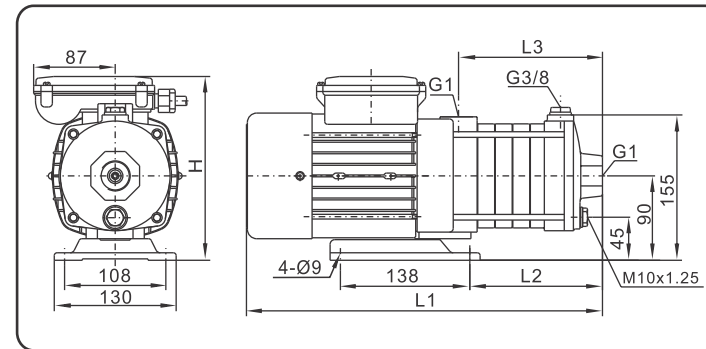
Performance Table

Model		Motor P ₂ (kW)	Q (m³/h)	H (m)									
Single Phase	Three Phase			8	10	12	14	16	18	20	22	24	
BR-16/10S	BR-16/10T	1.0	H (m)	12	11.5	11	10.5	10	9	8	7	6	
BR-16/20S	BR-16/20T	1.5		24	23	22	21	20	19	16	14	12	
BR-16/30S	BR-16/30T	2.2		38	36	34	33	30	28	26	23	20	
	BR-16/40T	3.0		50	48	46	44	40	38	36	32	28	

Performance Table

Model		Motor P ₂ (kW)	Q (m³/h)	H (m)									
Single Phase	Three Phase			10	12	14	16	18	20	22	24	26	28
BR-20/10S	BR-20/10T	1.0	H (m)	13	12.5	12	11.5	11	10.5	10	9	8.5	7.5
BR-20/20S	BR-20/20T	1.85		25	24	23	22	21	20	18	16	14	12
	BR-20/30T	3.0		39	38	36	35	33	31.5	30	27	24	21
	BR-20/40T	4.0		50	48	46	44	42	40	36	32	28	24

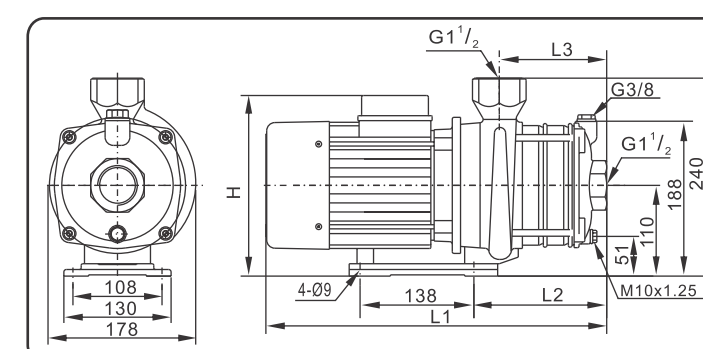
BR-2



Suc. x Del.: 1"x1"

Model	Dimensions(mm)								Weight (kg)
	Single Phase				Three Phase				
	L1	L2	L3	H	L1	L2	L3	H	
BR-2/20S/T	326	70	104	198	326	70	104	194	8.5
BR-2/30S/T	344	88	122	198	344	88	122	194	9
BR-2/40S/T	362	106	140	198	362	106	140	194	9.5
BR-2/50S/T	380	124	158	198	380	124	158	194	10
BR-2/60S/T	398	142	176	198	398	142	176	194	10.5

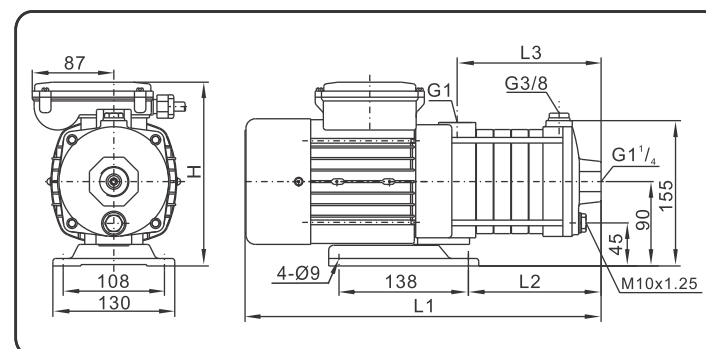
BR-12



Suc. x Del.: 1 1/2"x1 1/2"

Model	Dimensions(mm)								Weight (kg)
	Single Phase				Three Phase				
	L1	L2	L3	H	L1	L2	L3	H	
BR-12/10S/T	328	73	78	235	328	73	78	214	15
BR-12/15S/T	395	103	108	244	395	103	108	222	18
BR-12/20S/T	436	103	108	230	395	103	108	222	20
BR-12/25S/T	468	133	138	230	426	133	138	222	24
BR-12/30S/T	-	-	-	-	485	133	138	230	27

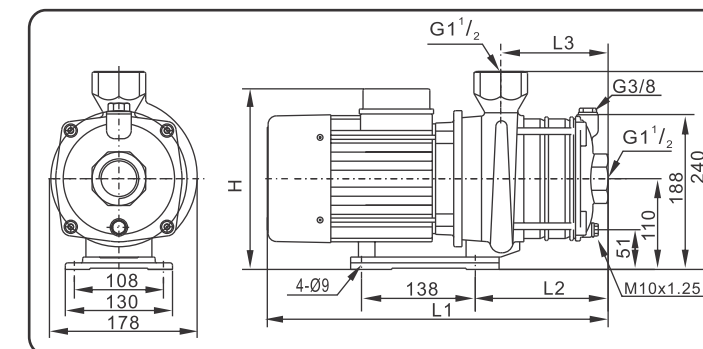
BR-4



Suc. x Del.: 1"x1"

Model	Dimensions(mm)								Weight (kg)
	Single Phase				Three Phase				
	L1	L2	L3	H	L1	L2	L3	H	
BR-4/20S/T	335	79	113	198	335	79	113	194	9
BR-4/30S/T	362	106	140	198	362	106	140	194	10
BR-4/40S/T	389	133	167	198	389	133	167	194	10.5
BR-4/50S/T	416	160	194	198	416	160	194	194	11
BR-4/60S/T	443	187	221	198	443	187	221	194	12

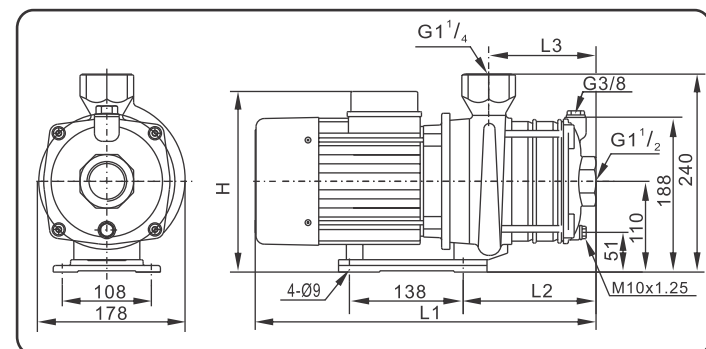
BR-12B



Suc. x Del.: 1 1/2"x1 1/2"

Model	Dimensions(mm)								Weight (kg)
	Single Phase				Three Phase				
	L1	L2	L3	H	L1	L2	L3	H	
BR-12/10BS/T	330	73	78	237	330	73	78	216	13
BR-12/20BS/T	395	103	108	246	395	103	108	222	15
BR-12/30BS/T	467	133	138	227	425	133	138	222	26
BR-12/40BS/T	497	163	168	227	455	163	168	227	28
BR-12/50BT	-	-	-	-	544	193	198	227	31

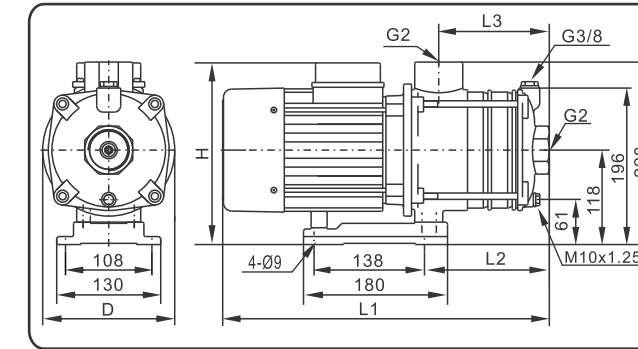
BR-8



Suc. x Del.: 1 1/2"x1 1/4"

Model	Dimensions(mm)								Weight (kg)
	Single Phase				Three Phase				
	L1	L2	L3	H	L1	L2	L3	H	
BR-8/10S/T	328	73	78	235	328	73	78	214	13
BR-8/15S/T	358	103	108	235	358	103	108	214	15
BR-8/20S/T	358	103	108	235	358	103	108	214	18
BR-8/25S/T	426	133	138	244	426	133	138	222	20
BR-8/30S/T	468	133	138	230	426	133	138	222	25
BR-8/35S/T	500	163	168	230	456	163	168	222	30
BR-8/40S/T	500	163	168	230	456	163	168	222	31

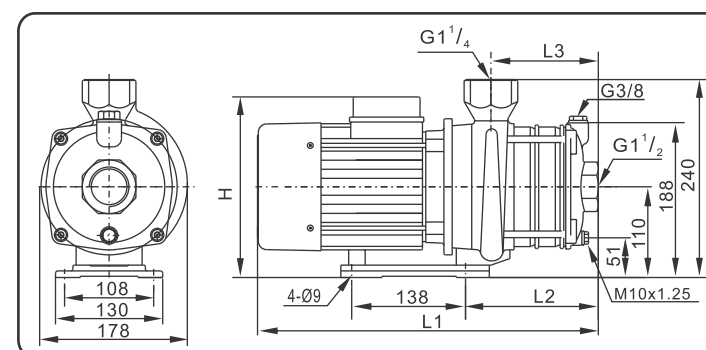
BR-16



Suc. x Del.: 2"x2"

Model	Dimensions(mm)										Weight (kg)
	Single Phase					Three Phase					
	L1	L2	L3	H	D	L1	L2	L3	H	D	
BR-16/10S/T	325	106	81	244	165	325	106	81	218	165	14
BR-16/20S/T	406	151	126	254	165	406	151	126	228	165	20
BR-16/30S/T	493	196	171	235	176	493	196	171	235	176	27
BR-16/40T	-	-	-	-	-	555	241	216	235	176	30

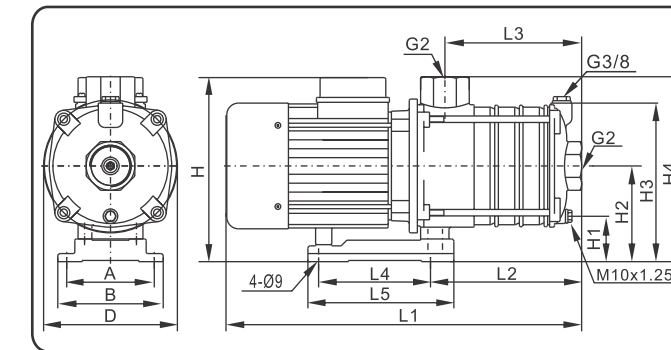
BR-8B



Suc. x Del.: 1 1/2"x1 1/4"

Model	Dimensions(mm)								Weight (kg)
	Single Phase				Three Phase				
	L1	L2	L3	H	L1	L2	L3	H	
BR-8/10BS/T	326	73	78	237	326	73	78	216	14
BR-8/20BS/T	356	103	108	237	356	103	108	216	15
BR-8/30BS/T	416	133	138	246	416	133	138	222	19
BR-8/40BS/T	446	163	168	246	446	163	168	222	20
BR-8/50BS/T	521	193	198	227	476	193	198	222	28
BR-8/60BS/T	-	-	-	-	568	223	228	227	29

BR-20

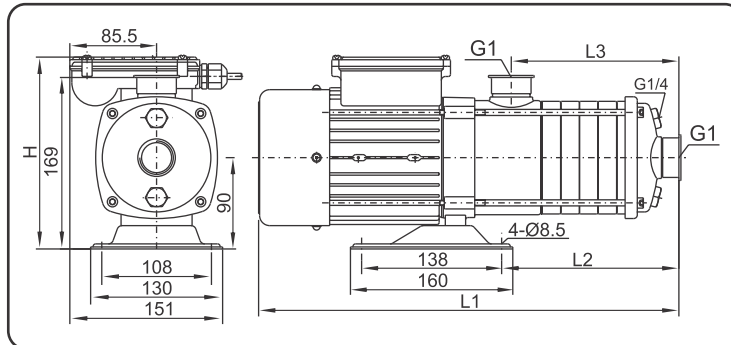


Suc. x Del.: 2"x2"

Model	Dimensions(mm)													Weight (kg)
	Single Phase						Three Phase							
	L1	L2	L3	L4	L5	H	H1	H2	H3	H4	A	B	D	
BR-20/10S/T	325	106	81	138	180	244	61	118	196	228	108	130	165	16
BR-20/20S/T	450	151	126	138	180	235	61	118	196	228	108	130	176	26
BR-20/10S/T	325	106	81	138	180	218	61	118	196	228	108	130	165	15.5
BR-20/20S/T	406	151	126	138	180	228	61	118	196	228	108	130	165	25.5
BR-20/30S/T	510	196	171	138	180	235	61	118	196	228	108	130	176	30
BR-20/40T	575	316	216	140	175	248	43	100	178	210	160	200	195	35

BRF-2

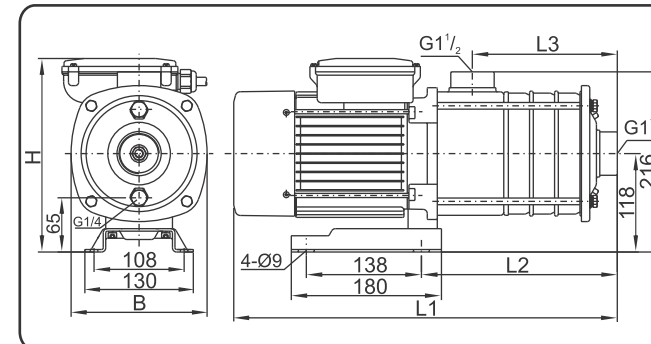
Suc. x Del.: 1" x 1"



Model	Dimensions (mm)								Weight (kg)
	Single Phase				Three Phase				
	L1	L2	L3	H	L1	L2	L3	H	
BRF-2/20S/T	342	103	92	189	342	103	92	192	7.5
BRF-2/30S/T	360	121	110	189	360	121	110	192	8
BRF-2/40S/T	378	139	128	189	378	139	128	192	9
BRF-2/50S/T	396	157	146	189	396	157	146	192	10
BRF-2/60S/T	414	175	164	189	414	175	164	192	11

BRF-12

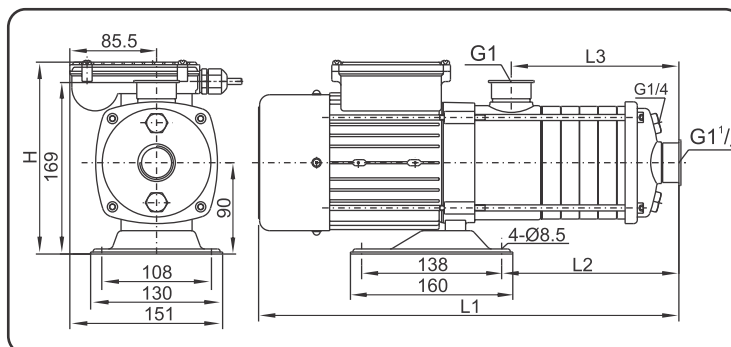
Suc. x Del.: 1½" x 1½"



Model	Dimensions (mm)										Weight (kg)
	Single Phase					Three Phase					
	L1	L2	L3	H	B	L1	L2	L3	H	B	
BRF-12/10S/T	340	144	83	227	163	340	144	83	220	163	14
BRF-12/15S/T	402	175	113	235	163	402	175	113	225	163	16
BRF-12/20S/T	444	175	113	262	168	444	175	113	225	163	24
BRF-12/25S/T	474	205	144	262	168	474	205	144	225	163	26
BRF-12/30T	-	-	-	-	-	494	205	144	230	168	28

BRF-4

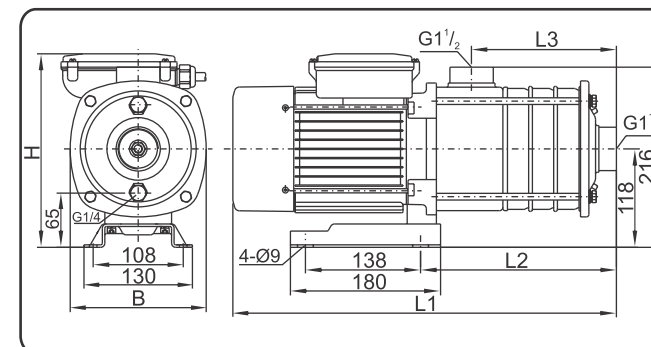
Suc. x Del.: 1¼" x 1"



Model	Dimensions (mm)								Weight (kg)
	Single Phase				Three Phase				
	L1	L2	L3	H	L1	L2	L3	H	
BRF-4/20S/T	342	103	92	189	342	103	92	192	9
BRF-4/30S/T	360	121	110	189	360	121	110	192	10
BRF-4/40S/T	378	139	128	189	378	139	128	192	11
BRF-4/50S/T	396	157	146	215	396	157	146	192	12
BRF-4/60S/T	414	175	164	215	414	175	164	192	13

BRF-12B

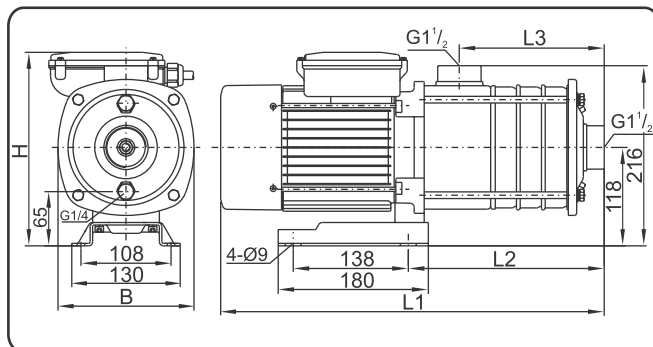
Suc. x Del.: 1½" x 1½"



Model	Dimensions (mm)										Weight (kg)
	Single Phase					Three Phase					
	L1	L2	L3	H	B	L1	L2	L3	H	B	
BRF-12/10BS/T	340	144	83	227	163	340	144	83	220	163	13
BRF-12/20BS/T	402	175	113	235	163	402	175	113	225	163	15
BRF-12/30BS/T	474	205	144	262	168	432	205	144	225	168	26
BRF-12/40BS/T	504	235	174	262	168	462	235	174	225	168	28
BRF-12/50BT	-	-	-	-	-	554	265	204	230	168	31

BRF-8

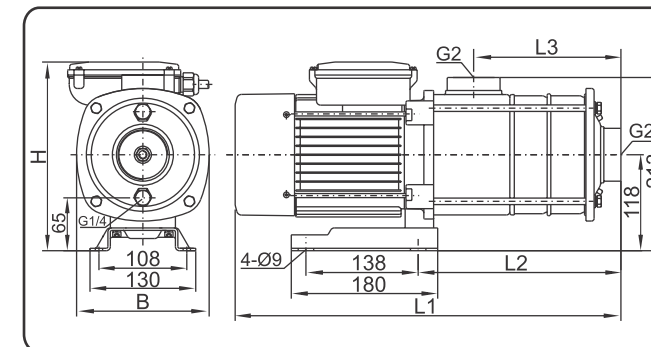
Suc. x Del.: 1½" x 1½"



Model	Dimensions (mm)										Weight (kg)
	Single Phase					Three Phase					
	L1	L2	L3	H	B	L1	L2	L3	H	B	
BRF-8/10S/T	340	144	83	227	163	340	144	83	220	163	13
BRF-8/15S/T	370	175	113	227	163	370	175	113	220	163	15
BRF-8/20S/T	370	175	113	227	163	370	175	113	220	163	18
BRF-8/25S/T	432	205	144	235	163	432	205	144	225	163	20
BRF-8/30S/T	474	205	144	262	168	432	205	144	225	163	25
BRF-8/35S/T	504	235	174	262	168	463	235	174	225	163	26
BRF-8/40S/T	504	235	174	262	168	463	235	174	225	163	28

BRF-16

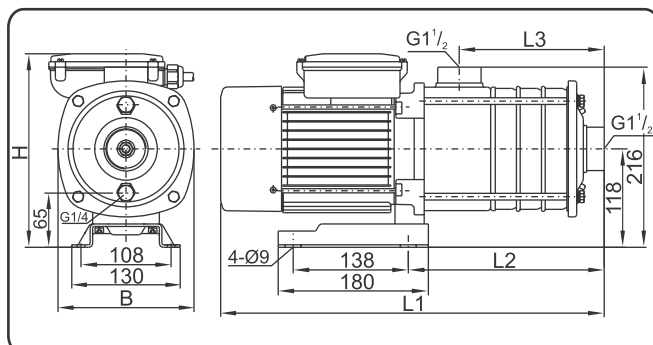
Suc. x Del.: 2" x 2"



Model	Dimensions (mm)										Weight (kg)
	Single Phase					Three Phase					
	L1	L2	L3	H	B	L1	L2	L3	H	B	
BRF-16/10S/T	354	158	90	227	163	354	158	90	220	163	13
BRF-16/20S/T	431	204	136	235	163	431	204	136	225	163	19
BRF-16/30S/T	518	249	181	262	168	518	249	181	230	168	26
BRF-16/40T	-	-	-	-	-	563	294	226	230	168	29

BRF-8B

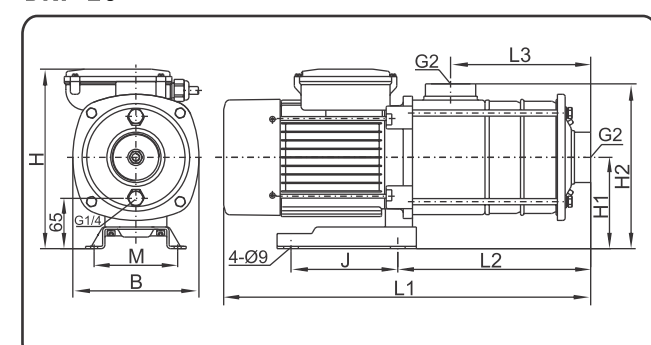
Suc. x Del.: 1½" x 1½"



Model	Dimensions (mm)										Weight (kg)
	Single Phase					Three Phase					
	L1	L2	L3	H	B	L1	L2	L3	H	B	
BRF-8/10BS/T	340	144	83	227	163	340	144	83	220	163	14
BRF-8/20BS/T	370	175	113	227	163	370	175	113	220	163	15
BRF-8/30BS/T	432	205	144	235	163	432	205	144	225	163	19
BRF-8/40BS/T	463	235	174	235	16	463	235	174	225	163	20
BRF-8/50BS/T	534	265	204	262	168	493	265	204	225	163	28
BRF-8/60BT	-	-	-	-	-	584	296	234	230	168	31

BRF-20

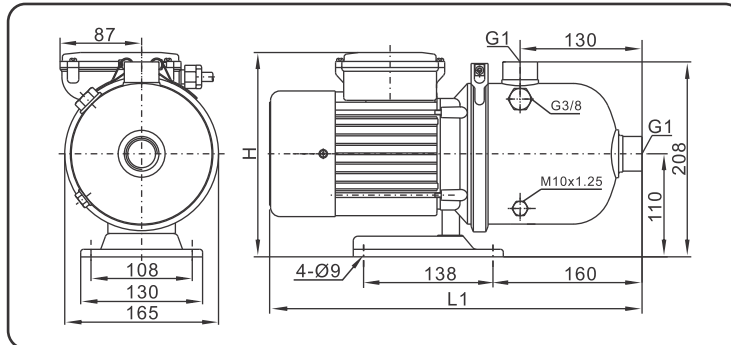
Suc. x Del.: 2" x 2"



Model	Dimensions (mm)												Weight (kg)
	Single Phase					Three Phase							
	L2	L3	M	J	H1	H2	Single Phase		Three Phase				
	H	L1	B	H	L1	B							
BRF-20/10S/T	158	90	108	138	118	213	245	354	163	220	354	163	15
BRF-20/20S/T	204	136	108	138	118	213	262	472	168	225	431	163	25
BRF-20/30T	249	181	108	138	118	213	-	-	-	230	538	168	29
BRF-20/40T	338	226	190	140	132	227	-	-	-	279	602	190	34

BRD-2

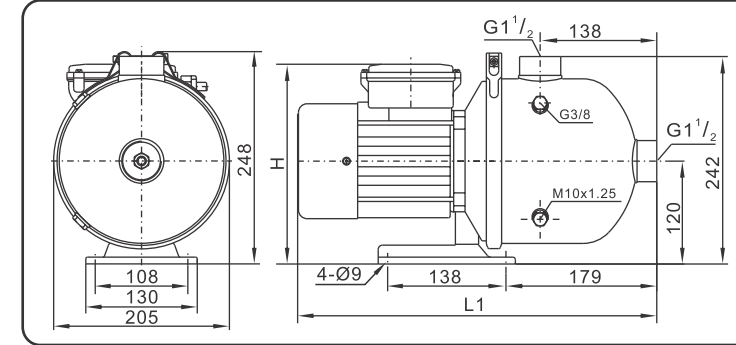
Suc. x Del.: 1" x 1"



Model	Dimensions(mm)				Weight (kg)
	Single Phase		Three Phase		
	L1	H	L1	H	
BRD-2/20S/T	400	217	400	214	8
BRD-2/30S/T	400	217	400	214	8.5
BRD-2/40S/T	400	217	400	214	9.5
BRD-2/50S/T	400	217	400	214	11
BRD-2/60S/T	400	217	400	214	12

BRD-12

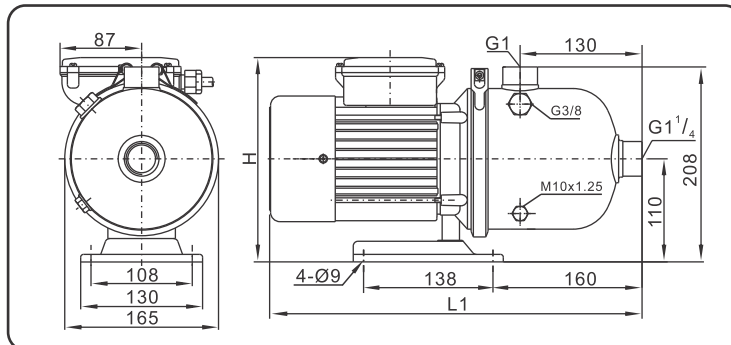
Suc. x Del.: 1½" x 1½"



Model	Dimensions(mm)				Weight (kg)
	Single Phase		Three Phase		
	L1	H	L1	H	
BRD-12/10S/T	424	227	425	222	12
BRD-12/15S/T	459	235	459	232	13.5
BRD-12/20S/T	500	239	459	232	21
BRD-12/25S/T	500	239	459	232	24
BRD-12/30T	-	-	518	239	27

BRD-4

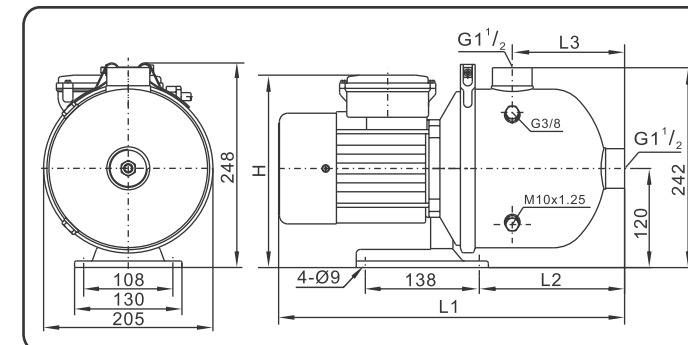
Suc. x Del.: 1¼" x 1"



Model	Dimensions(mm)				Weight (kg)
	Single Phase		Three Phase		
	L1	H	L1	H	
BRD-4/20S/T	400	217	400	214	9.7
BRD-4/30S/T	400	217	400	214	11
BRD-4/40S/T	400	217	400	214	11.5
BRD-4/50S/T	400	217	400	214	12.5
BRD-4/60S/T	400	217	400	214	13.5

BRD-12B

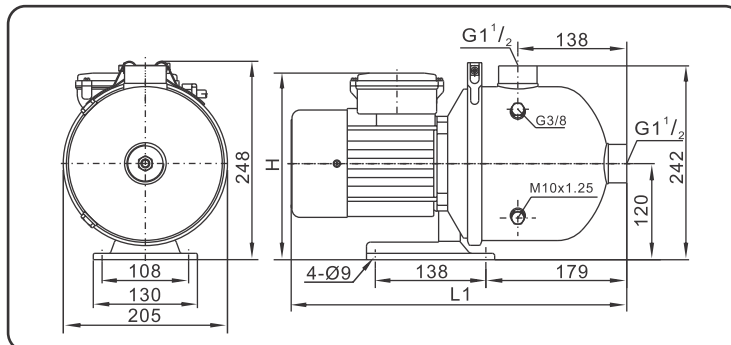
Suc. x Del.: 1½" x 1½"



Model	Dimensions(mm)								Weight (kg)
	Single Phase				Three Phase				
	L1	L2	L3	H	L1	L2	L3	H	
BRD-12/10BS/T	425	180	139	227	425	180	139	224	11
BRD-12/20BS/T	458	180	139	235	455	180	139	232	13
BRD-12/30BS/T	500	180	139	239	455	180	139	232	23
BRD-12/40BS/T	500	180	139	239	455	180	139	232	24
BRD-12/50BT	-	-	-	-	583	246	205	239	27

BRD-8

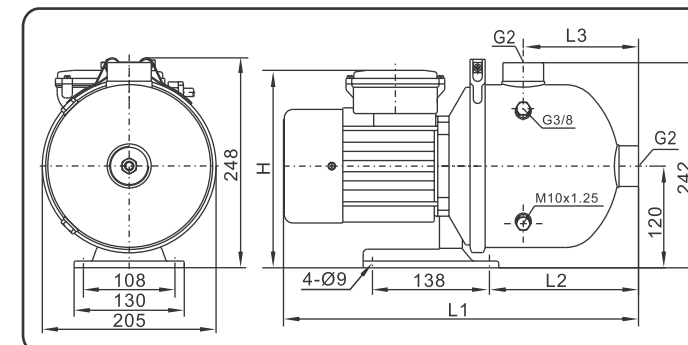
Suc. x Del.: 1½" x 1½"



Model	Dimensions(mm)				Weight (kg)
	Single Phase		Three Phase		
	L1	H	L1	H	
BRD-8/10S/T	424	227	424	222	10.5
BRD-8/15S/T	424	227	424	222	12
BRD-8/20S/T	424	227	424	222	14
BRD-8/25S/T	459	235	459	232	17
BRD-8/30S/T	500	239	459	232	21.5
BRD-8/35S/T	500	239	459	232	23
BRD-8/40S/T	500	239	459	232	24

BRD-16

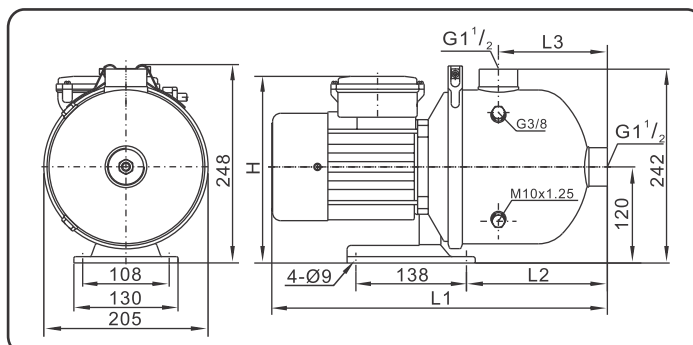
Suc. x Del.: 2" x 2"



Model	Dimensions(mm)								Weight (kg)
	Single Phase				Three Phase				
	L1	L2	L3	H	L1	L2	L3	H	
BRD-16/10S/T	425	175	136	245	425	175	136	224	13.5
BRD-16/20S/T	455	175	136	254	455	175	136	232	17
BRD-16/30S/T	520	201	162	239	480	201	162	232	23

BRD-8B

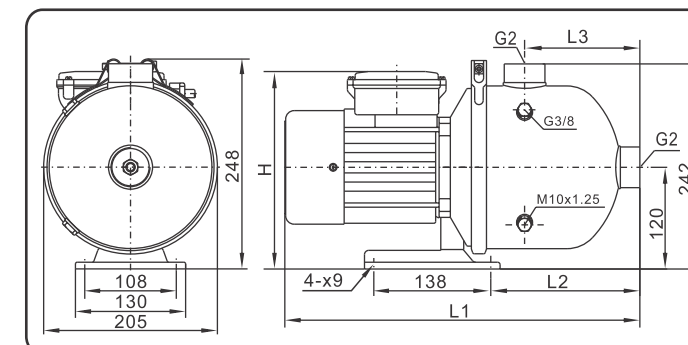
Suc. x Del.: 1½" x 1½"



Model	Dimensions(mm)								Weight (kg)
	Single Phase				Three Phase				
	L1	L2	L3	H	L1	L2	L3	H	
BRD-8/10BS/T	425	180	139	227	425	180	139	224	10
BRD-8/20BS/T	425	180	139	227	425	180	139	224	11.5
BRD-8/30BS/T	455	180	139	235	455	180	139	232	13
BRD-8/40BS/T	455	180	139	235	455	180	139	232	16
BRD-8/50BS/T	566	246	205	239	521	246	205	232	25

BRD-20

Suc. x Del.: 2" x 2"



Model	Dimensions(mm)								Weight (kg)
	Single Phase				Three Phase				
	L1	L2	L3	H	L1	L2	L3	H	
BRD-20/10S/T	425	175	136	245	425	175	136	224	20
BRD-20/20S/T	498	175	136	239	455	175	136	232	22
BRD-20/30T	-	-	-	-	540	201	162	239	25

Xstream automatic pressure booster systems with inbuilt variable frequency drive maintains constant pressure throughout the piping system. This system comprises of Horizontal Multistage Pump, VFD, Pressure transmitter, Pressure tank, Pressure gauge & 5 Way connector with NRV. The pressure transmitter monitors the required pressure level and regulates the pump speed to deliver constant pressure at all time. It also protects the system from dry, run, over loading, unbalanced voltages, short circuit, etc.

Features

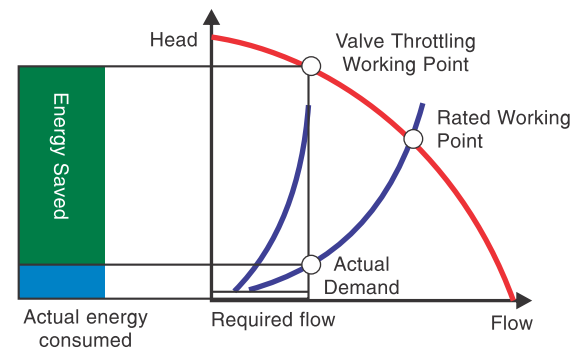
- Compact design
- Easy to Install and operate
- Reduce energy consumption
- Maintains constant pressure
- Adjustable output pressure settings
- Digital display to monitor the pump speed, pressure, etc.
- Protect from Dry run, over load, unbalanced Voltage, short circuit, etc.



Technical Details

Power Range	0.75kW/1.1 kW	1.5kW	2.2kW	4.0kW
Input Voltage	220V	220V	220V	380V
Frequency	50/60 Hz	50/60HZ	50/60HZ	50/60HZ
VFD Output	1~220V 3~220V	1~220V3~220V	3~220V	3~380V

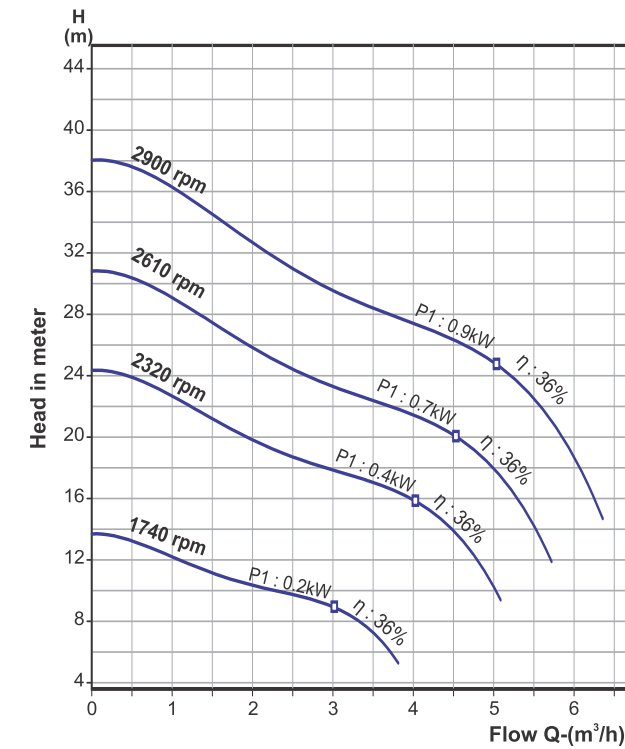
- Output Frequency : 20 ~ 50 Hz / 20 ~ 60 Hz
- Pressure setting Range : 1 ~ 9 Bar
- Pressure Transmitter : 24V, 4-20mA
- Ambient Temperature : 0 ~ 40°C
- Liquid Temperature : 0 ~ 70°C
- Head Range : up to 60m
- Flow range : up to 16m³/h



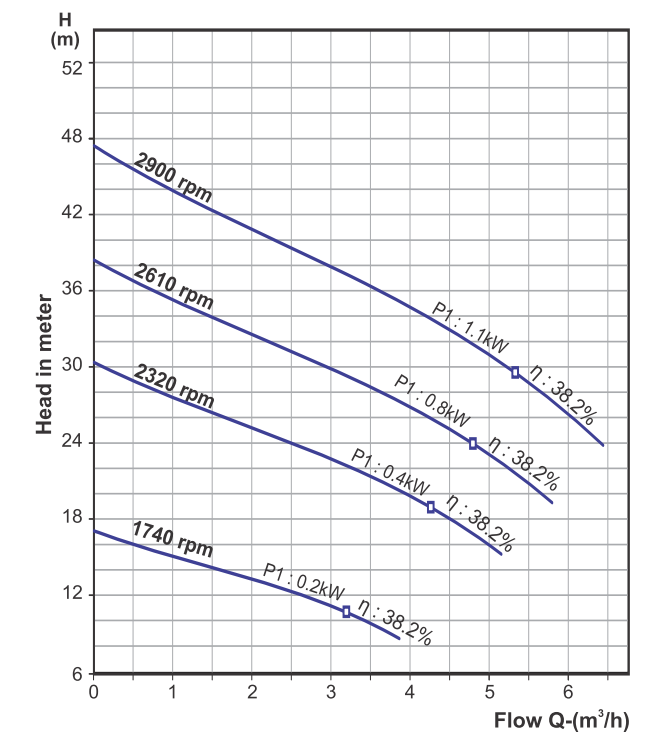
Applications:

- Domestic Water supply and pressure boosting, small buildings, Villas, Schools, Garden, etc.

Xstream 07



Xstream 11



Xstream 15

