

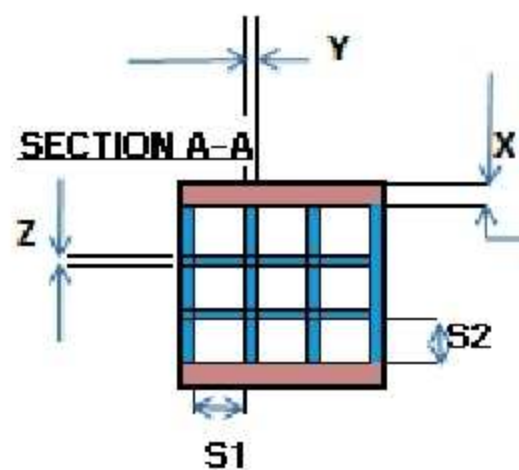


AMRUTHA INDUSTRIES

MADE IN INDIA - FORMWORK ECONOMIC SOLUTIONS

POLYPROPELENE HOLLOW SHEETS:

- APPLICATION IN SLAB WORK SHUTTERING
- COLUMN SHUTTERING
- INTERIORS



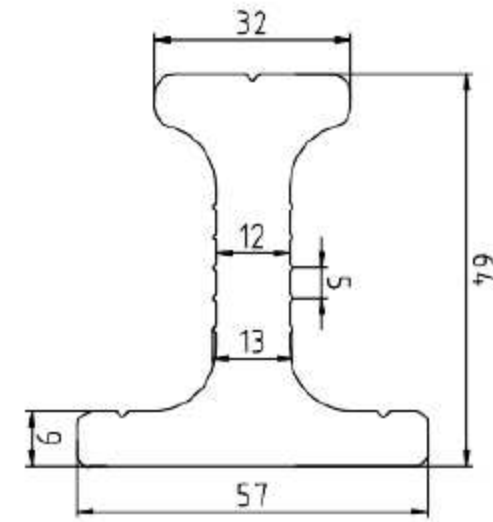
SHEET CATEGORY	X	Y	Z	S1	S2	THK	WT IN KG / 1220'2440 SHEET
12 MM	1.5	1.3	1.2	4.5	2.1	11.7	19-20
15MM	2.1	1.6	1.3	4.3	2.6	14.6	22-23
18 MM	2.1	1.2	1.1	3.6	3.9	18.1	27-30

TOLERANCES ± 0.5

AMRUTHA INDUSTRIES , 4-18-28/1 , CHANDRAMOULINAGAR , OPP DON BOSCO ITI ,
 GUNTUR, ANDHRA PRADESH, INDIA PIN : 522007 MOB : +91- 9966 573465
 E MAIL : amruthaindustries55@gmail.com www.amruthaindustries.com

H BEAM - WPC :

- SUPPORTS FOR SHUTTERING / INTERIOR PROFILES - WPC
- TESTED FLEXURAL BENDING STRENGTH : 260 N / mm²



PROFILES - WPC

- DOOR FRAMES
- BEAM / SPAN SUPPORT IN SHUTTERING

