


Datasheet Shreyans Pneumatic Actuators SH0040DA–SH0092DA

Combinations


Pneumatic actuated ball valve (SHREYANS brand) DN15–DN100

SHREYANS brand True union ball valves assembled with double acting pneumatic actuators, and the whole set assembled with limit switches.

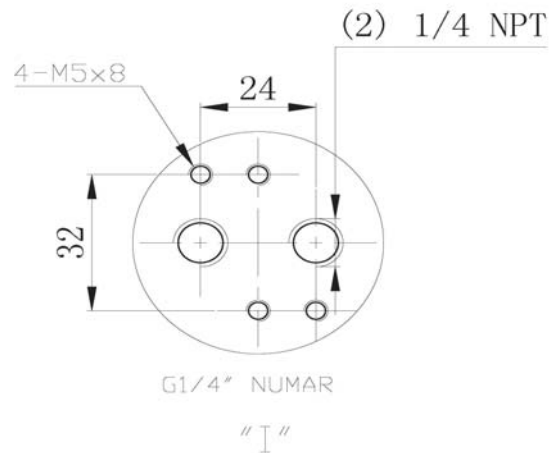
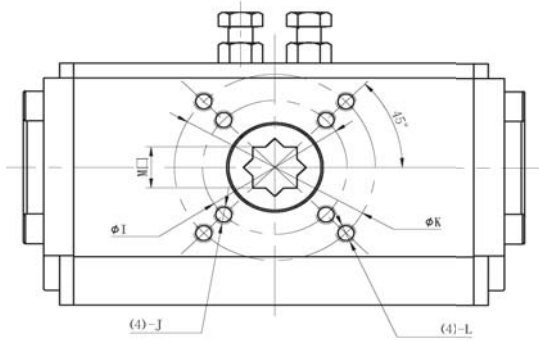
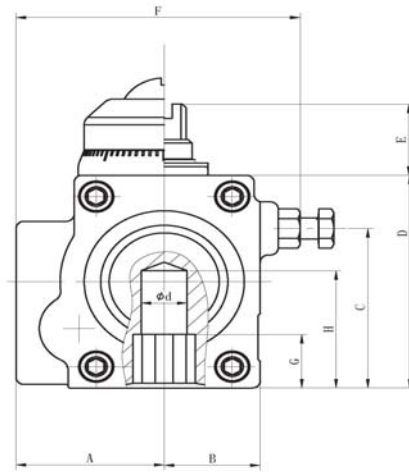
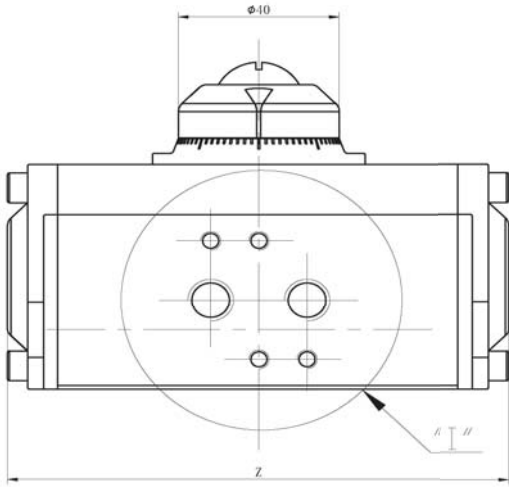
Pneumatic actuator	SH true union ball valve	Diameter of cylinder/ Torsion	Dimensions	Materials	Standards	
SH0040DA	DN15–DN25	40/12	DN15–DN25	UPVC, CPVC, PP–H	all standards	
SH0052DA	DN32–DN50	52/20	DN32–DN50	UPVC, CPVC, PP–H	all standards	
SH0075DA	DN65	75/50	DN65	UPVC, CPVC, PP–H	all standards	
SH0083DA	DN80	83/75	DN80	UPVC, CPVC, PP–H	all standards	
SH0092DA	DN100	92/110	DN100	UPVC, CPVC, PP–H	all standards	

Pneumatic actuated butterfly valve (SHREYANS brand) DN50–DN200

SHREYANS brand industrial butterfly valves assembled with double acting pneumatic actuators, and the whole set assembled with limit switches.

Pneumatic actuator	SH butterfly valve	Diameter of cylinder/ Torsion	Dimensions	Materials	Standards	
SH0052DA	DN50–DN80	52/20	DN50–DN80	UPVC, CPVC, PP–H	all standards	
SH0063DA	DN100	63/35	DN100	UPVC, CPVC, PP–H	all standards	
SH0083DA	DN125–DN150	83/86	DN125–DN150	UPVC, CPVC, PP–H	all standards	
SH0092DA	DN200	92/124	DN200	UPVC, CPVC, PP–H	all standards	

SH0040DA Dimension



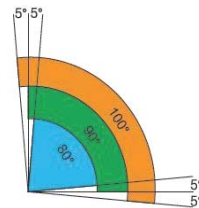
Model	A	B	C	D	E	F	G	H
SH0040DA	37	24	45	60	20.1	65.5	14	32
	I	J	L	K	□M	Z	Ød	Air
	36	M5	M6	50	11	125	11.5	NAMUR G1/4"

Output torque of double acting pneumatic actuator

Model	Air Supply Pressure(Unit:bar) Unit:N.m							
	2	3	4	5	5.5	6	7	8
SH0040DA	5	7	10	12	13	14	17	19

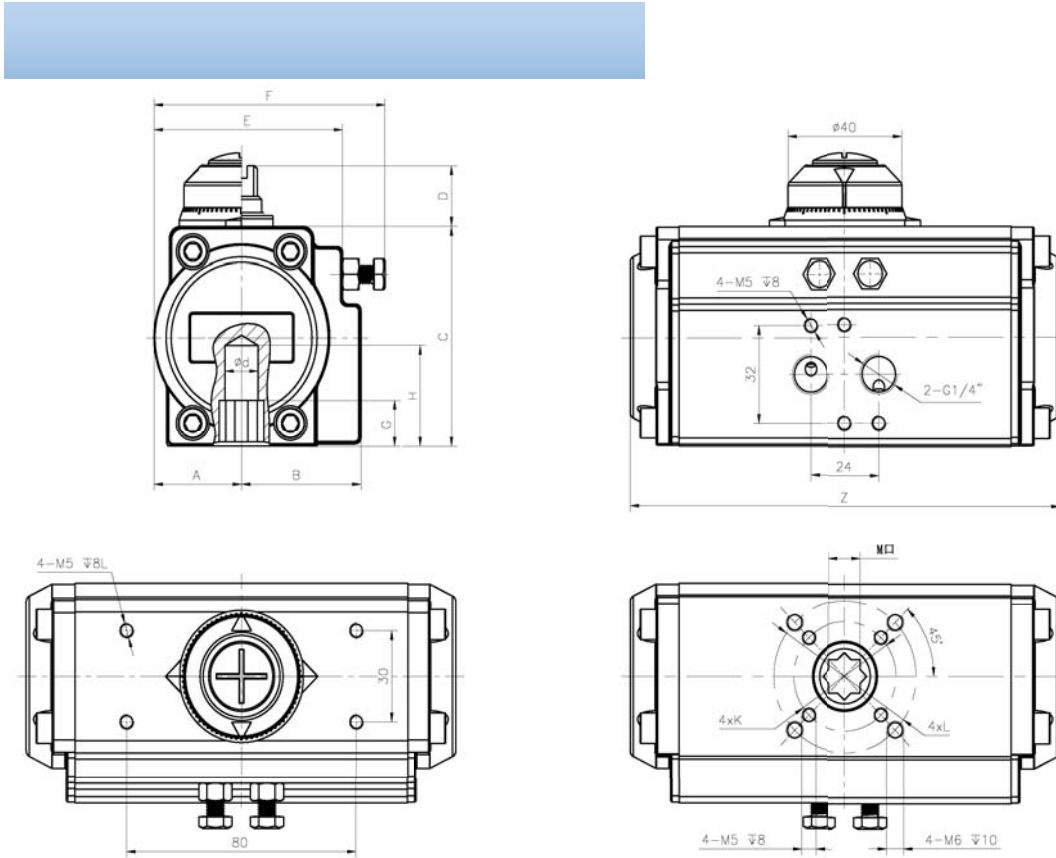
Weight,air consumption

Model	Weight(kg)	Air volume opening	Air volume closing
SH0040DA	1.0kg	0.072	0.078



Actuator rotate $\pm 5^\circ$ adjustment

SH0052DA Dimension



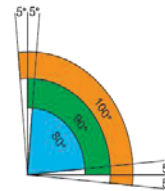
Model	A	B	C	D	E	F	G	H
SH0052DA	30	41.5	65.5	20	65.5	80.5	14	32
	K	L	□M	ϕd	Z	Air		
	F03	F05	11	11.5	150	NAMUR G1/4"		

Output torque of double acting pneumatic actuator

Model	Air Supply Pressure(Unit:bar) Unit:N.m							
	2	3	4	5	5.5	6	7	8
SH0052DA	8	12	16	20	22	24	28	32

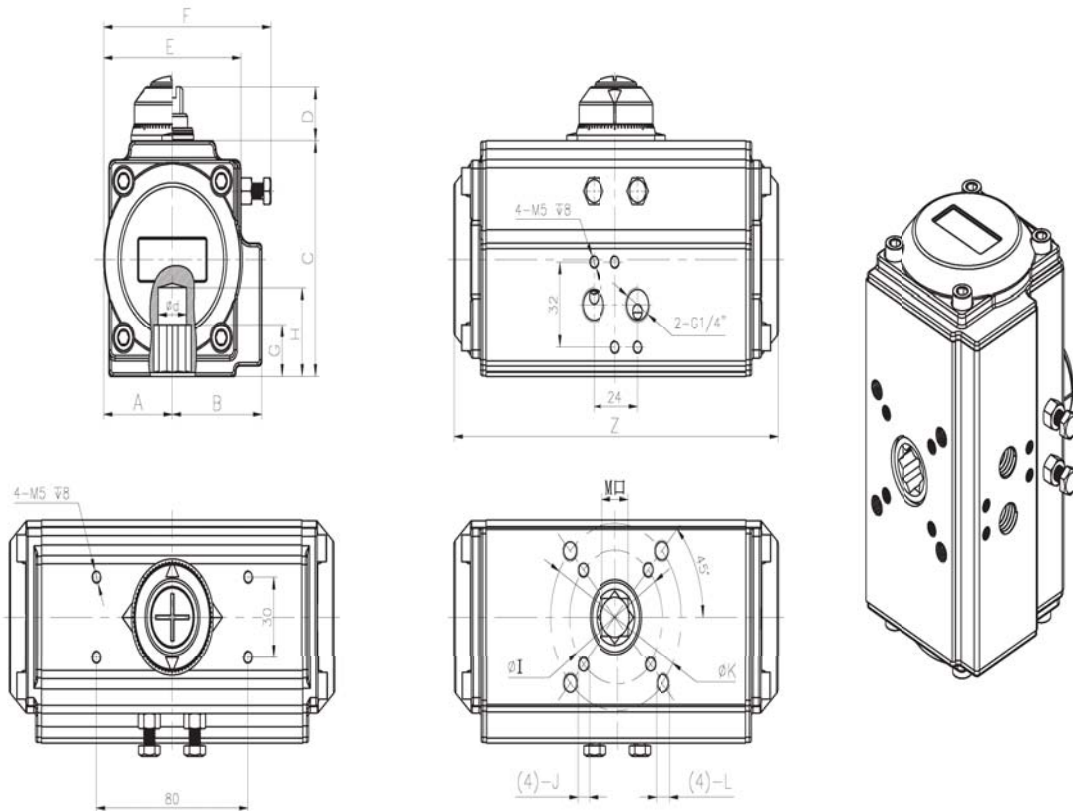
Weight,air consumption

Model	Weight(kg)	Air volume opening	Air volume closing
SH0052DA	1.35kg	0.12	0.17



Actuator rotate $\pm 5^\circ$ adjustment

SH0063DA Dimension



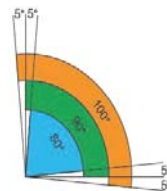
Model	A	B	C	D	E	F	G	H
SH0063DA	36	47	88	20	72	88	18	32
	ϕI	J	ϕK	L	$\square M$	ϕd	Z	Air connection
	$\phi 50$	M6x10	$\phi 70$	M8x13	$\square 14$	$\phi 15$	172	NAMUR G1/4"

Output torque of double acting pneumatic actuator

Model	Air Supply Pressure(Unit:bar) Unit:N.m							
	2	3	4	5	5.5	6	7	8
SH0063DA	14	22	29	36	40	43	50	57

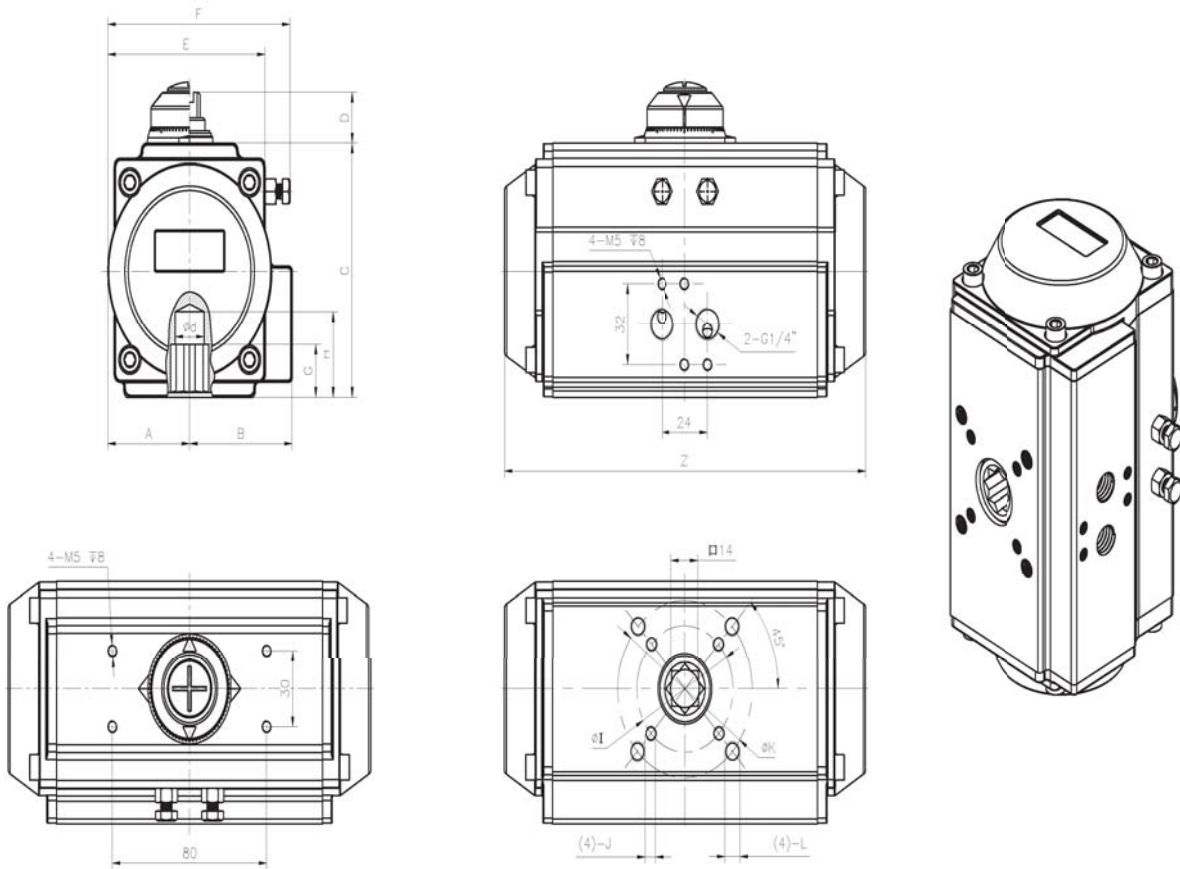
Weight,air consumption

Model	Weight(kg)	Air volume opening	Air volume closing
SH0063DA	2.15kg	0.21	0.29



Actuator rotate $\pm 5^\circ$ adjustment

SH0075DA Dimension



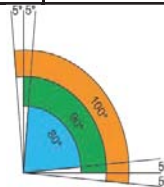
Model	A	B	C	D	E	F	G	H
SH0075DA	42.5	53	100	20	81.5	94.5	19	32
	\varnothing I	J	\varnothing K	L	\square M	\varnothing d	Z	Air connection
	\varnothing 50	M6x10	\varnothing 70	M8x13	\square 14	\varnothing 15	188	NAMUR G1/4"

Output torque of double acting pneumatic actuator

Model	Air Supply Pressure(Unit:bar) Unit:N.m							
	2	3	4	5	5.5	6	7	8
SH0075DA	20	31	41	51	56	61	71	81

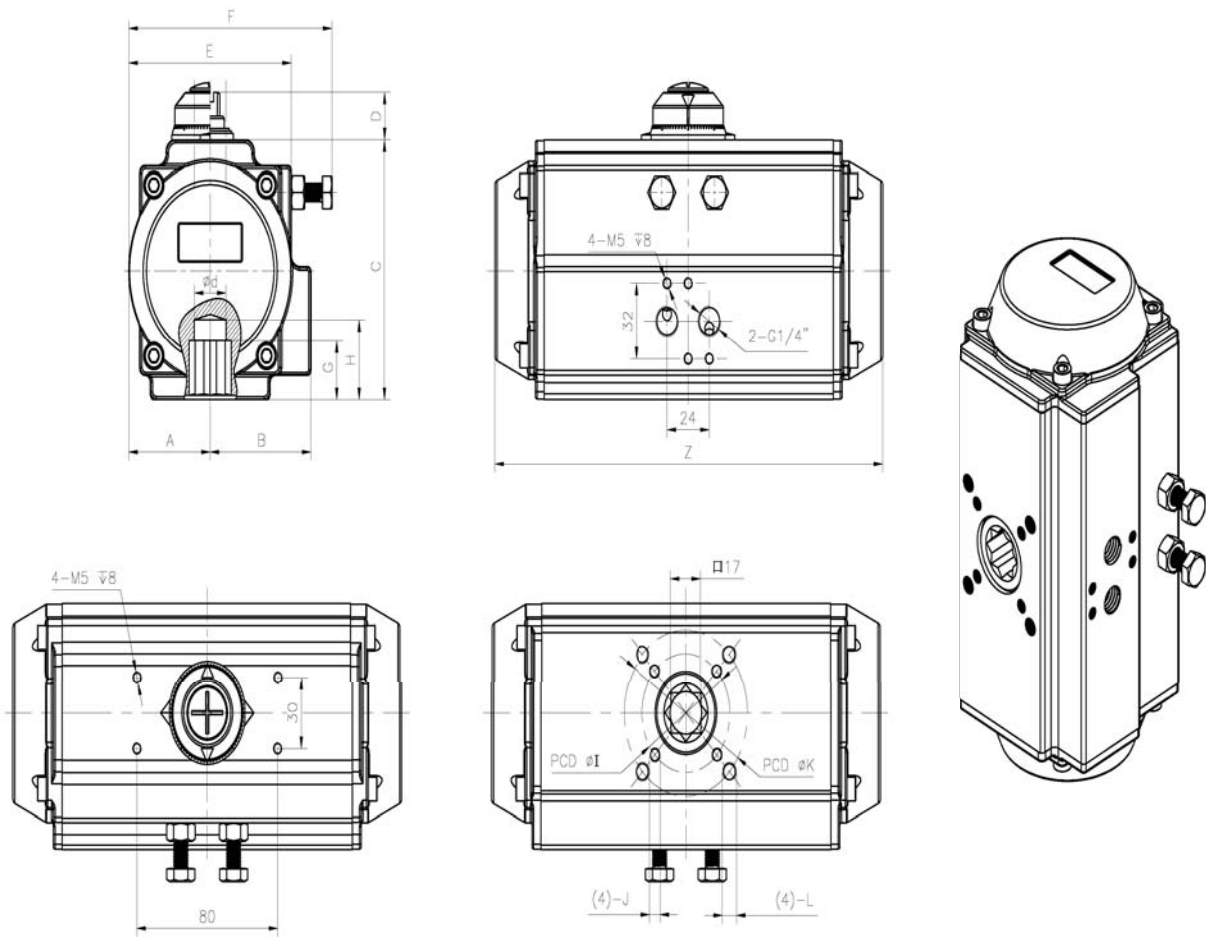
Weight,air consumption

Model	Weight(kg)	Air volume opening	Air volume closing
SH0075DA	2.60kg	0.29	0.43



Actuator rotate $\pm 5^\circ$ adjustment

SH0083DA Dimension



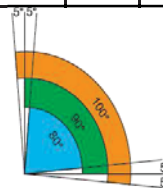
Model	A	B	C	D	E	F	G	H
SH0083DA	46	57	98.5	20	92	116.7	23	32
	$\varnothing I$	J	$\varnothing K$	L	$\square M$	$\varnothing d$	Z	Air connection
	$\varnothing 50$	M6X10	$\varnothing 70$	M8x13	$\square 17$	$\varnothing 18$	221	NAMUR G1/4"

Output torque of double acting pneumatic actuator

Model	Air Supply Pressure(Unit:bar) Unit:N.m							
	2	3	4	5	5.5	6	7	8
SH0083DA	31	47	62	78	86	94	109	125

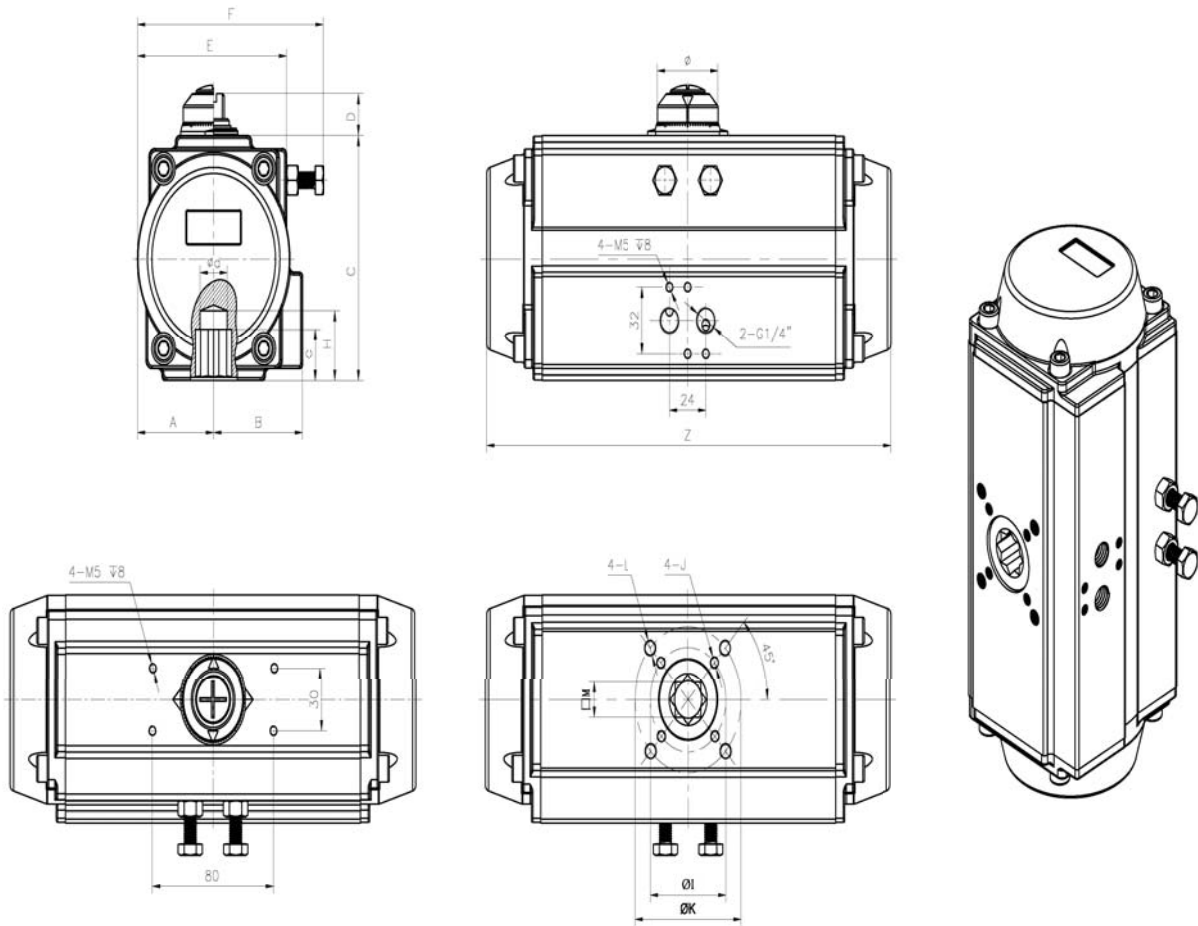
Weight,air consumption

Model	Weight(kg)	Air volume	Air volume
SH0083DA	3.4kg	0.42	0.65



Actuator rotate $\pm 5^\circ$ adjustment

SH0092DA Dimension



Model	A	B	C	D	E	F	G	H
SH0092DA	50	58.5	117	20	98	124	23	32
	ØI	J	ØK	L	□M	Ød	Z	Air connection
	Ø50	M6X10	Ø70	M8x13	□17	Ø18	268	NAMUR G1/4"

Output torque of double acting pneumatic actuator

Model	Air Supply Pressure(Unit:bar) Unit:N.m							
	2	3	4	5	5.5	6	7	8
SH0092DA	46	69	92	115	126	138	161	184

Weight,air consumption

Model	Weight(kg)	Air volume	Air volume
SH0092DA	4.55kg	0.68	0.97



Actuator rotate $\pm 15^\circ$ adjustment

Limit switch



Item no. :	APL-210N
Position Indicator :	Red-closed, Yellow-open
Material of shaft lever:	SUS304
Working voltage:	Max 250V AC/DC
Protection degree:	IP67
Working temperature:	-20°C ~ +60°C
Connection:	G1/2" M20*1.5