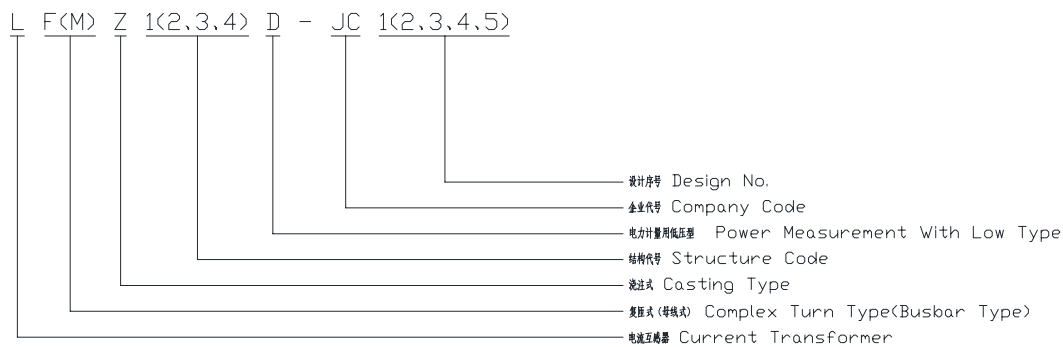


LFZ1D-JC1, LMZ1(2, 3, 4)D-JC2(3, 4, 5) TYPE CURRENT TRANSFORMER LFZ1D-JC1, LMZ1(2, 3, 4)D-JC2(3, 4, 5)CT

- ★ Meeting Q/GDW 572-2010 requirement;
working frequency 50Hz 或 60Hz
Rated voltage lower than 0.66kV



★ Definition



★ For technician

- ◆ Primary current:
LFZ1D-JC1: 5A~60A
LMZ1D-JC2: 75A~200A
LMZ2D-JC3: 200A~600A
LMZ3D-JC4: 600A~800A
LMZ4D-JC5: 800A~1500A;
- ◆ secondary current: 5A、1A;
- ◆ Class: 0.2S、0.2、0.5S、0.5;
- ◆ Insulation: 0.66/3kV;
- ◆ Heat resisting: E;
- ◆ coefficient: $FS \leq 5$ or 10;
- ◆ comply with GB1208-2006 《current transformer》 and Q/GDW 572-2010;
- ◆ LF(M)Z1(2, 3, 4)D-HX1(2, 3, 4, 5) series CT parameter refer to table1:

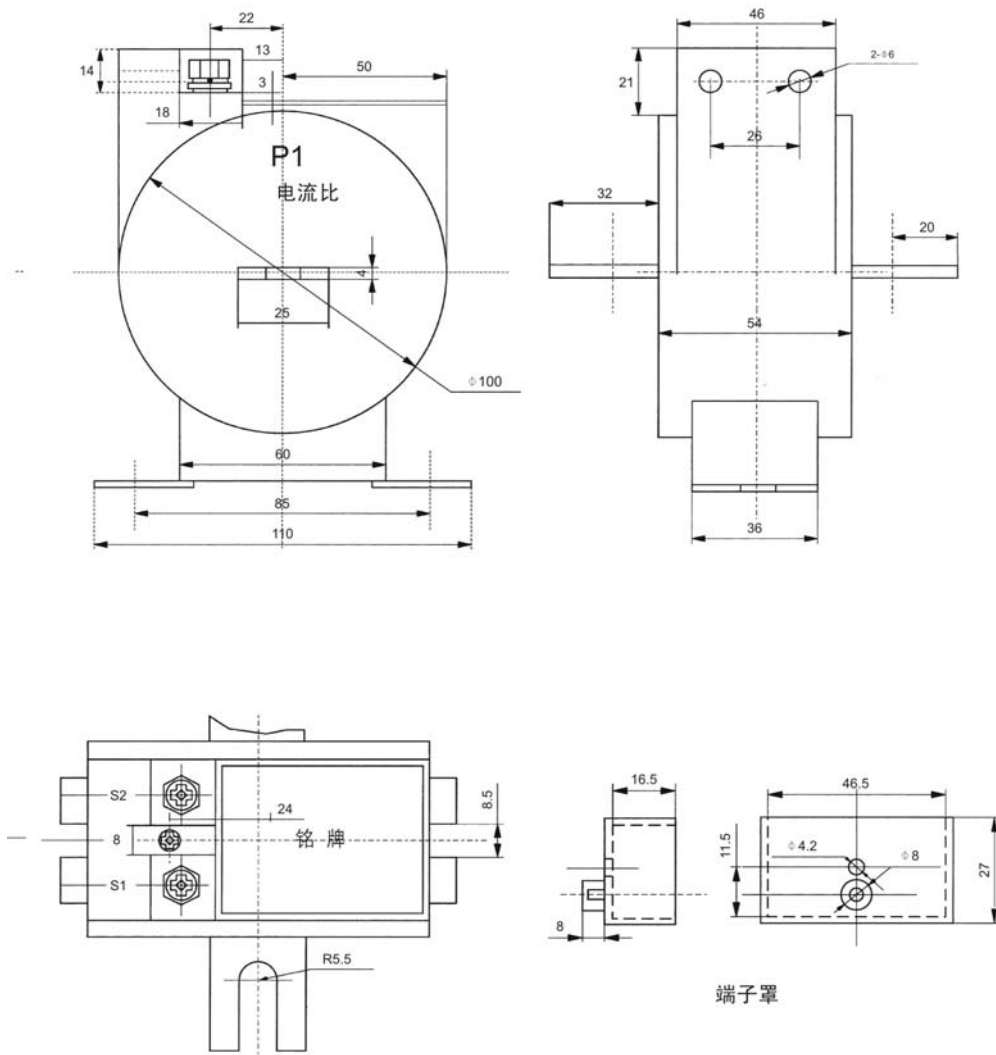
Table1

Primary current (A)	Secondary load (VA)			
	secondary current 1A		secondary current 5A	
	2.5~1	5~1	5~2.5	10~3.75

**LFZ1D-JC1, LMZ1(2, 3, 4)D-JC2(3, 4, 5) TYPE CURRENT TRANSFORMER
LFZ1D-JC1, LMZ1(2, 3, 4)D-JC2(3, 4, 5) CT**

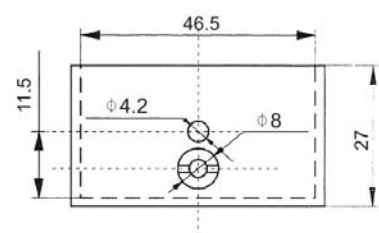
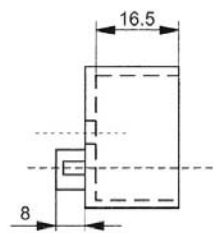
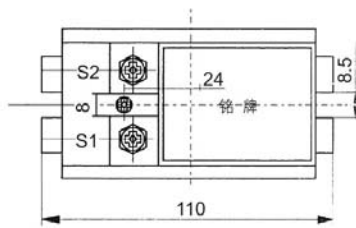
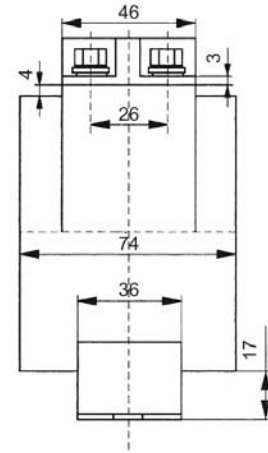
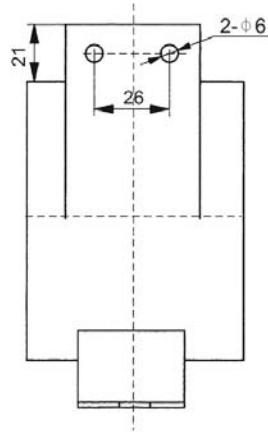
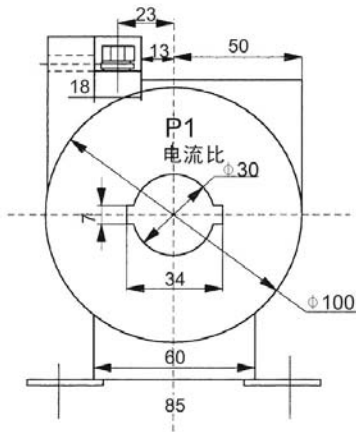
10~60	LFZ1D-JC1			
75~200	LMZ1D-JC2, LMZ2D-JC3			
200~600	LMZ2D-JC3			
600~800		LMZ3D-JC4		LMZ3D-JC4
800~1500		LMZ4D-JC5		LMZ4D-JC5

★ Assembly



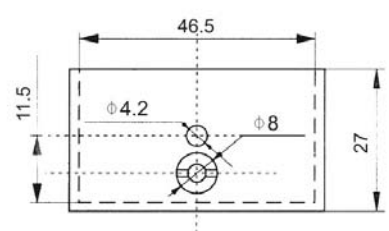
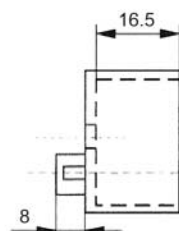
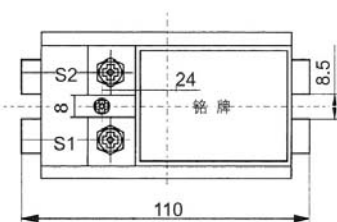
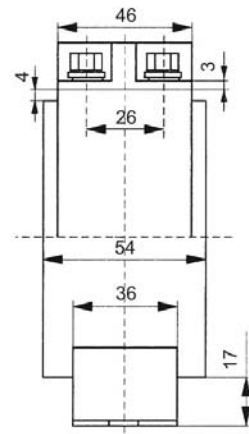
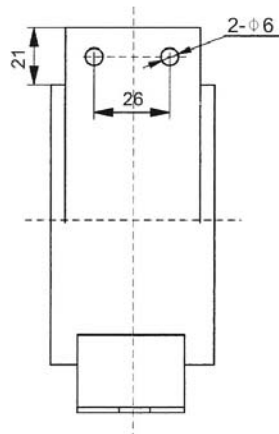
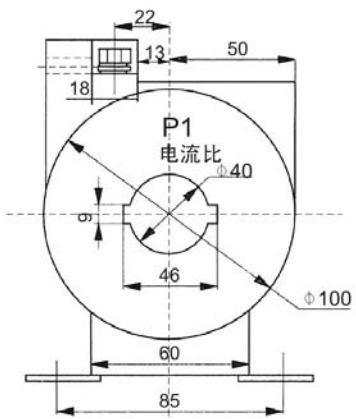
LFZ1D-JC1

**LFZ1D-JC1, LMZ1(2, 3, 4)D-JC2(3, 4, 5) TYPE CURRENT TRANSFORMER
LFZ1D-JC1, LMZ1(2, 3, 4)D-JC2(3, 4, 5)CT**



端子罩

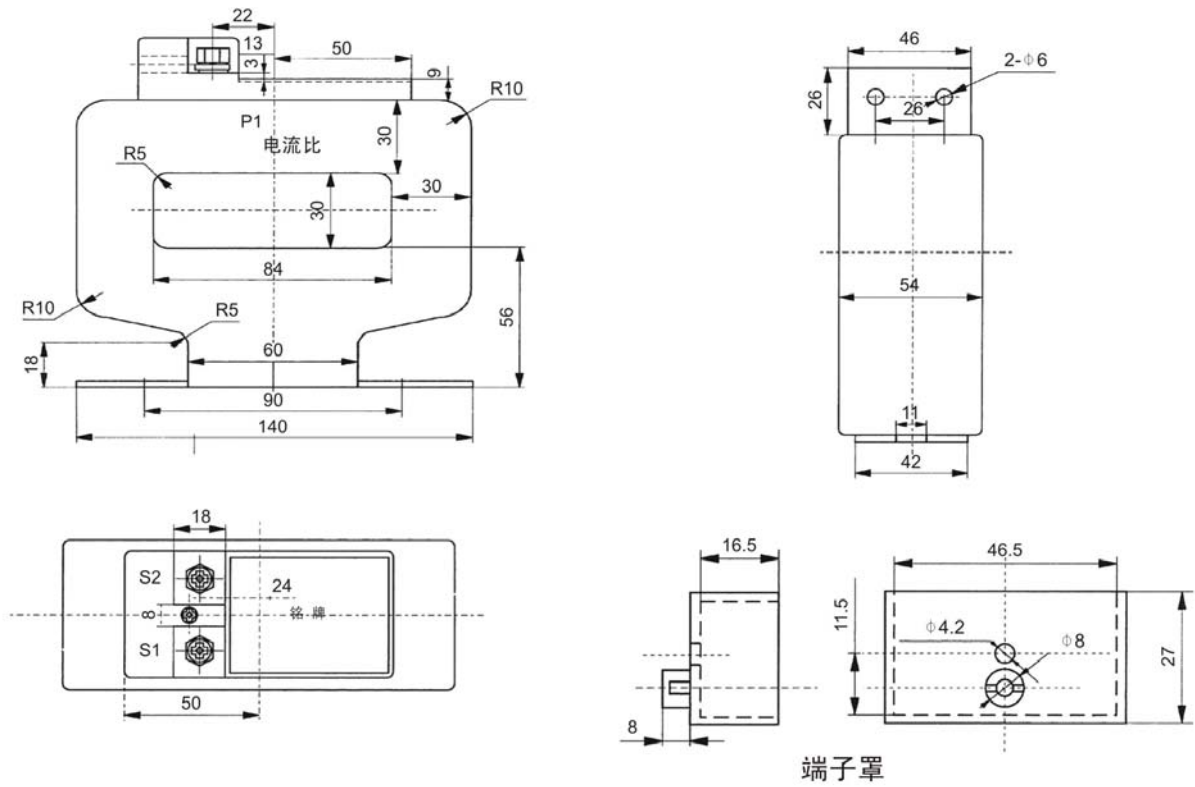
LMZ1D-JC2



端子罩

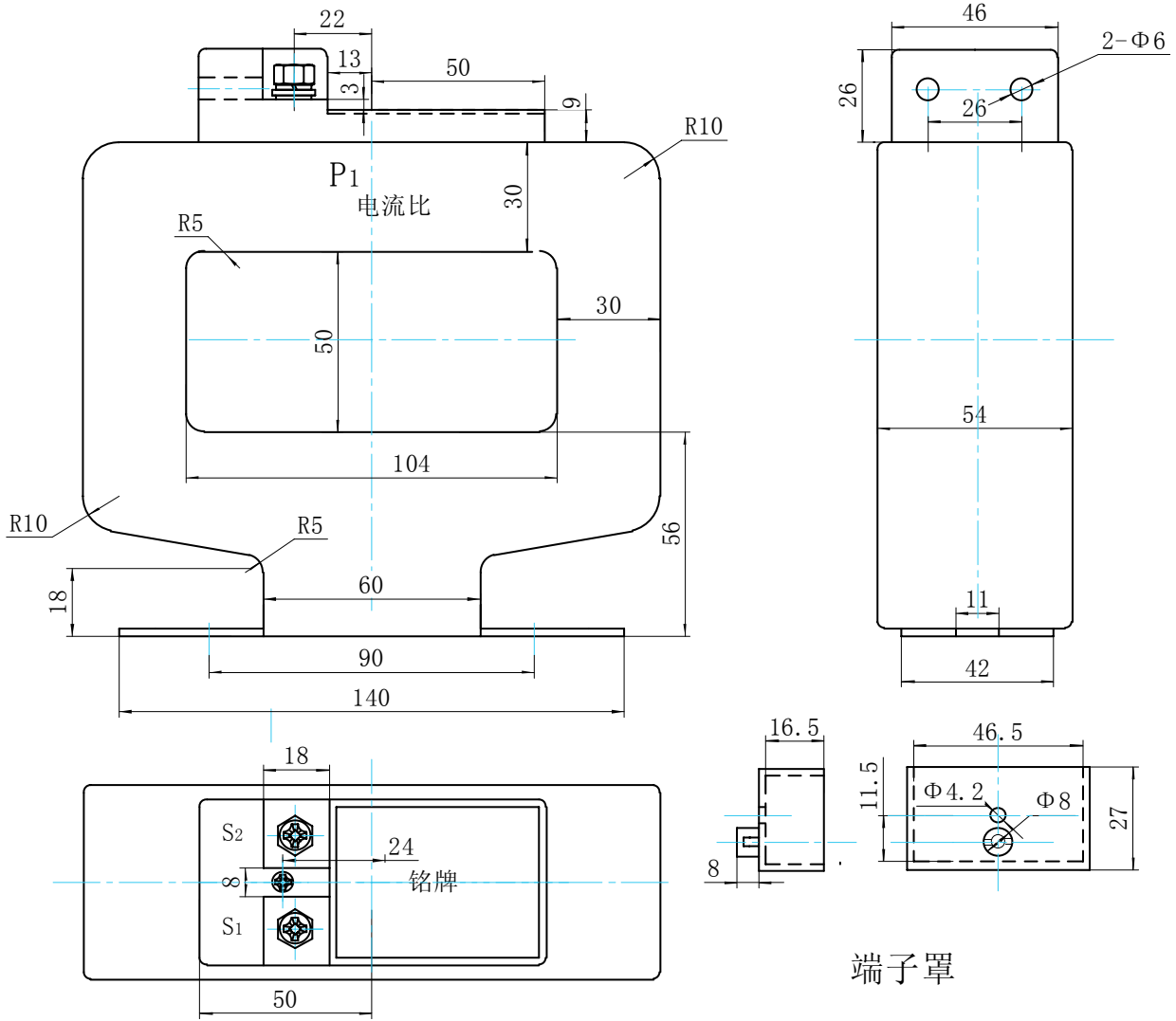
LMZ2D-JC3

LFZ1D-JC1, LMZ1(2, 3, 4)D-JC2(3, 4, 5) TYPE CURRENT TRANSFORMER
LFZ1D-JC1, LMZ1(2, 3, 4)D-JC2(3, 4, 5) CT



LMZ3D-JC4

**LFZ1D-JC1, LMZ1(2, 3, 4)D-JC2(3, 4, 5) TYPE CURRENT TRANSFORMER
LFZ1D-JC1, LMZ1(2, 3, 4)D-JC2(3, 4, 5)CT**



LMZ4D-JC5

端子罩