

“MICRO” Bi-Metal Temperature Gauges having the bimetal strip in the form of helix. It works on the principle of thermal expansion of two different material of different co-efficient which results the expansion of bimetal is proportional to the temperature. These gauges are simple in construction yet rugged. These gauges are used in different industries to measure the temperature.

Construction Features:

Nominal Size:

Ø 63, 100 & 150 mm

Accuracy:

±2% of full scale for 63 mm dial size.

±1.6% of full scale for 100 & 150 mm dial size.

Case & Bezel:

S. S. 304 with bayonet bezel

Ingress Protection:

IP-65 as per EN 60 529 / IEC 529 for 63 & 100 mm

IP-68 as per IS 13947 for 150 mm

Sensor Element:

Bimetal strip in the form of helix

Stem & Bulb Material:

S. S. 304 / S. S. 316

Stem Length:

55 mm (Min) to 1000 mm (Max)

Stem Diameter:

6 mm / 8 mm / 10 mm / 12 mm

Over Range Protection:

125% of full scale

Dial:

Aluminium, White with black marking

Pointer:

Aluminium – Black finish with Center Zero Adjustment

Window:

Plain Glass / Toughened / Safety Glass

Joints:

Argon arc welded

Mounting:

Bottom Connection Direct Mounting

Back Connection Direct Mounting

Every Angle Mounting

Scale Range:

-30°C ... +50°C to 600°C or equivalent in °F



Optional Features:

Dual scale in °C & °F available on request.

Extra Stem length available on request.

TC Connection available on request.

Liquid filling available on request.

Application:

Domestic & Industrial Heating System,

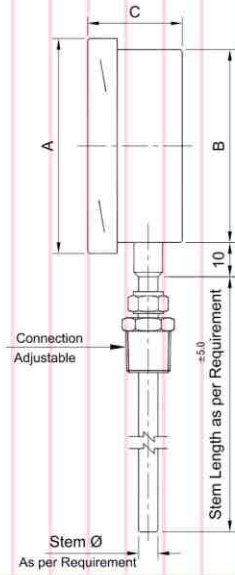
Hot Water Boiler,

Power Plants,

Food & Beverage Industries,

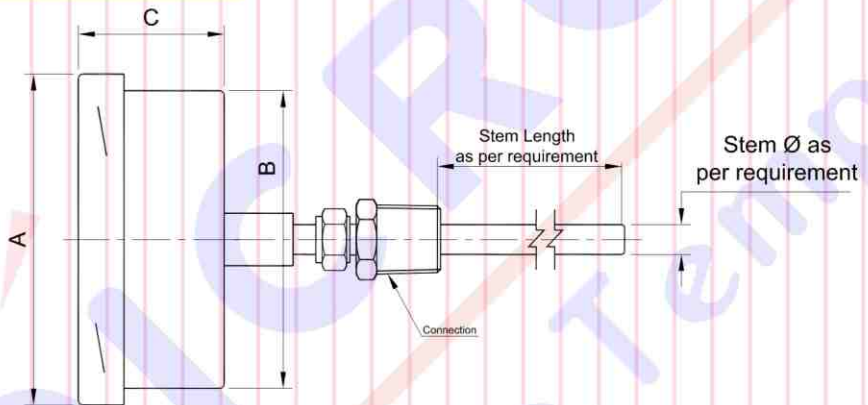
Pharmaceutical Industries, etc ...

Bottom Mounting



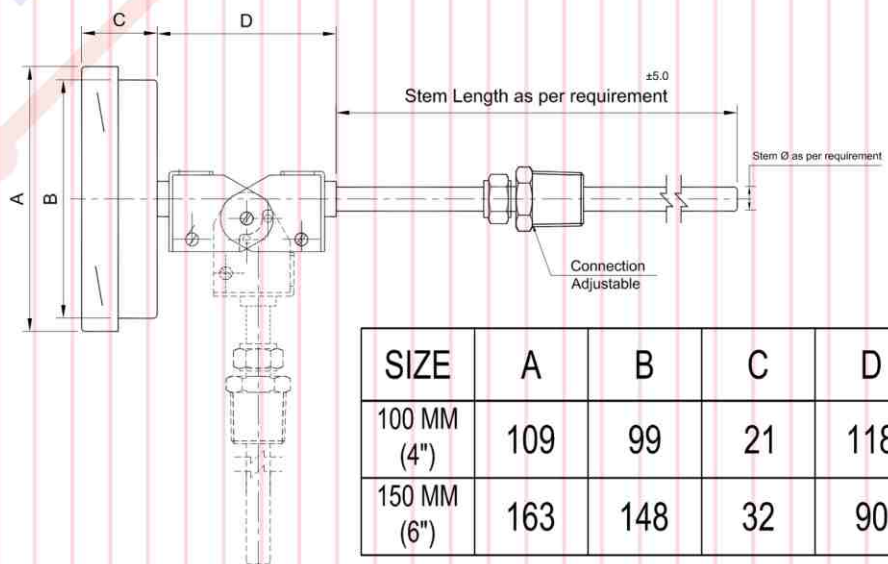
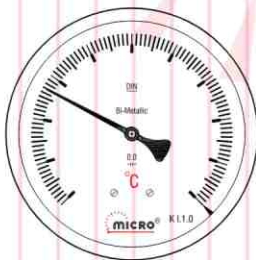
SIZE	A	B	C
63 MM (2.5")	70	63	42
100 MM (4")	109	99	48
150 MM (6")	163	148	48

Back Mounting



SIZE	A	B	C
63 MM (2.5")	70	63	11
100 MM (4")	109	99	15
150 MM (6")	163	148	15

Every Angle Mounting



SIZE	A	B	C	D
100 MM (4")	109	99	21	118
150 MM (6")	163	148	32	90

How To Order Bi-Metal Temperature Gauge -

1. Basic Code / Series -	MBT	"MICRO" Bi-Metal Temperature Gauge	MBT
2. Dial Size, Case Type & Material -	06S	63 mm (2 ½") Dial	XXX
	10S	100 mm (4") Dial	
	15S	150 mm (6") Dial	
3. Additional Requirement -	NA	Not Applicable	XX
	GF	Glycerin Filled	
	SF	Silicon Filled	
4. Internal Parts with MOC -	P	Phosphorus Bronze Spring as Magnifier	PB6
	B	Bi-Metal in Helix Form as Sensor	
	6	SS 316 Stem as Wetted Parts	
5. Mounting Style -	DB	Bottom Connection Direct Mounting	XX
	BC	Back Connection Direct Mounting	
	EA	Every Angle Mounting	
6. Stem / Capillary Type	RS	Rigid Stem	RS
7. Connection -	14B/14N/14T	1/4" BSP / 1/4" NPT / 1/4" BSPT (Suitable for Ø 6mm & 8 mm Stem)	XXX
	38B/38N/38T	3/8" BSP / 3/8" NPT / 3/8" BSPT (Suitable for Ø 6mm, 8 mm & 10 mm Stem)	
	12B/12N/12T	1/2" BSP / 1/2" NPT / 1/2" BSPT (Suitable for Ø 6mm, 8mm, 10 mm & 12 mm Stem)	
	34B/34N/34T	3/4" BSP / 3/4" NPT / 3/4" BSPT (Suitable for Ø 6mm, 8mm, 10 mm & 12 mm Stem)	
	M20	M20 x 1.5 mm (Suitable for Ø 6mm, 8mm, 10 mm & 12 mm Stem)	
	OTH	Others Please specify	
8. Stem Diameter x Length	(06 x L)	Ø 6 mm Dia. (L = Length of Stem, Please Specify)	(XX x X)
	(08 x L)	Ø 8 mm Dia. (L = Length of Stem, Please Specify)	
	(10 x L)	Ø 10 mm Dia. (L = Length of Stem, Please Specify)	
	(12 x L)	Ø 12 mm Dia. (L = Length of Stem, Please Specify)	
9. Range	°C	°C & °F	Range
	C060	D060	0 to 60°C
	C080	D080	0 to 80°C
	C100	D100	0 to 100°C
	C120	D120	0 to 120°C
	C150	D150	0 to 150°C
	C160	D160	0 to 160°C
	C200	D200	0 to 200°C
	C250	D250	0 to 250°C
	C300	D300	0 to 300°C
	C400	D400	0 to 400°C
	C500	D500	0 to 500°C
	C600	D600	0 to 600°C
	C650	D650	0 to 650°C
	C240	D240	-20° to 40°C
	C260	D260	-20° to 60°C
	C212	D212	-20° to 120°C
	C384	D384	-38° to 40°C
	C386	D386	-38° to 60°C
			XXXX