

“MICRO” Bourdon type Differential Pressure Gauges are used for measuring differential pressure across filters, strainers, columns, reactors, ID / FD Fans, blowers and for air flow measurement. These gauges are suitable for Corrosive environment & gaseous media.

Construction Features:

Dial Size:

Ø 100 & 150 mm

Accuracy:

±2% of full scale.

Case & Bezel:

S. S. 304 with bayonet bezel

Ingress Protection:

IP – 68 as per IS / IEC 60529 for 150 mm Dial
IP – 65 as per EN 60 529 / IEC 529

Pressure Element:

S. S. 316 Bourdon

Static Pressure:

130% of full scale value

Movement:

S. S. 304

Socket

S. S. 316

Dial:

Aluminium – White with black Marking

Pointer:

Aluminium – Micro Zero Adjustment

Window:

Toughened / Safety Glass

Joints:

Argon Arc Welded

Gasket

Neoprene / EPDM Rubber

Blow Out Protection:

Neoprene / EPDM Rubber at back of case at 0.6 Kg/cm²

Pressure Relief:

On top of case with Vent Valve

Operating Temperature:

Ambient : -25^oC to 60^oC
Process : Maximum 60^oC

Process Connection:

1/4” NPT (Standard) / others 3/8” / 1/2” available on request.



Bourdon DP Gauge



Bourdon DP Gauge with Electric Contact & Manifold



Bourdon DP Gauge with 45° Orientation

Type of Mounting:

Bottom Mounting
Surface Mounting

Pressure Ranges:

250 mm WC to 6000 mm WC ... up to 10 Kg/cm²

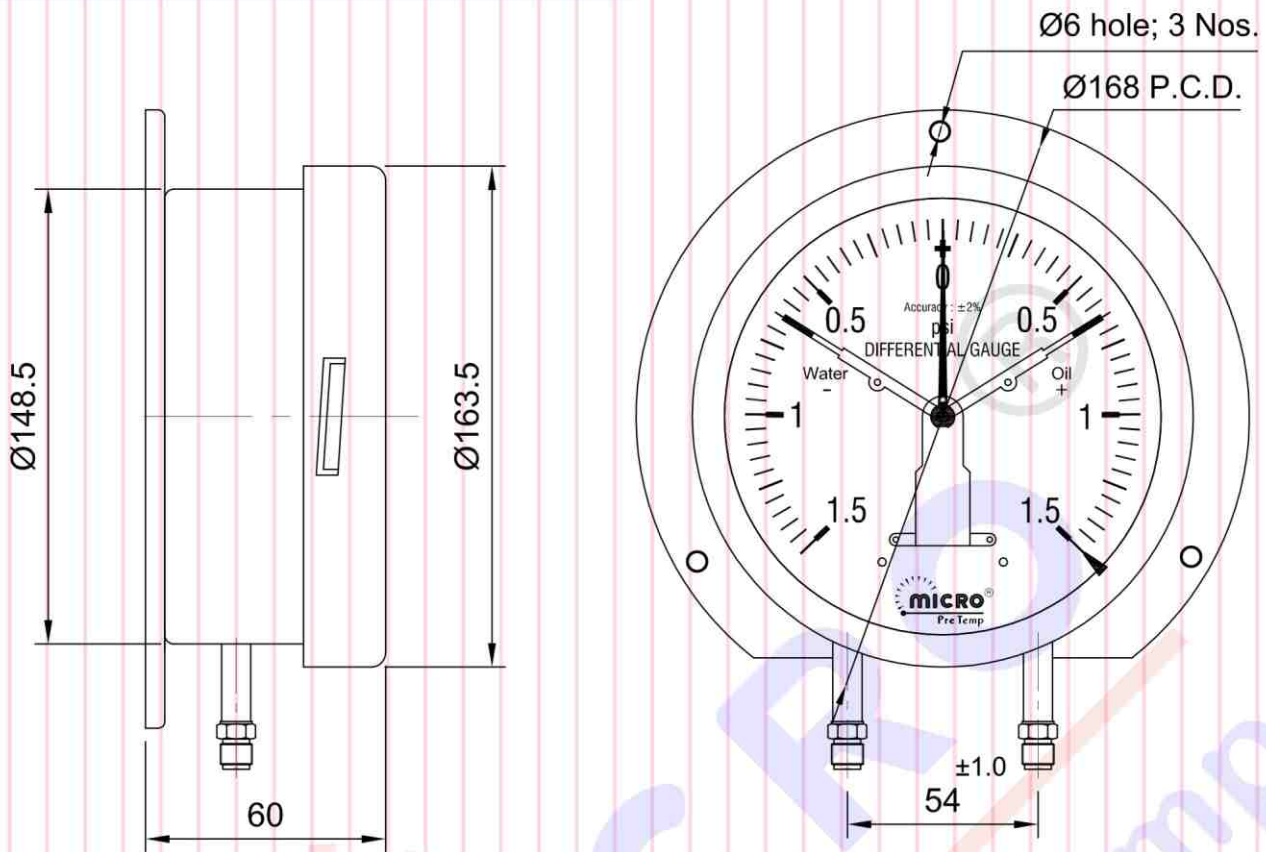
Optional Features:

Electric Contacts available on request
Pressure Equalizing valve available on request
Pipe Mounting Bracket available on request.
Liquid Filled case is available on request.
Chemical Seal unit available on request for process suitability.

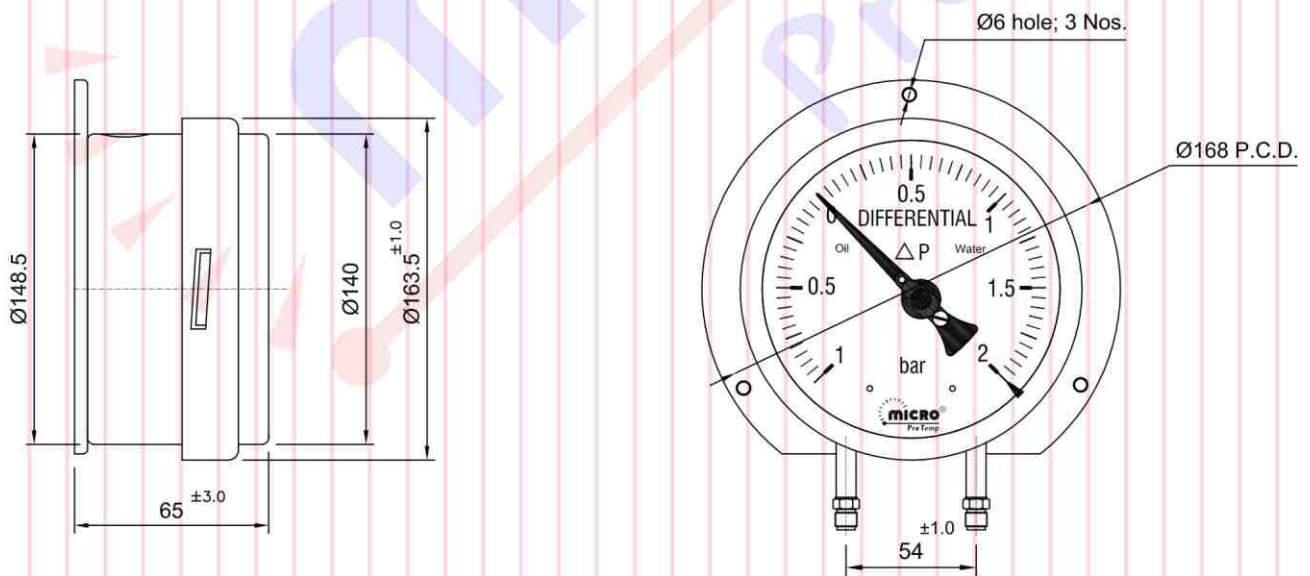
Application:

Air, Gas & Filter Application.

Bourdon DP Gauge with Electrical Contact



Bourdon DP Gauge



1.	Dial Size -		XX
	10	100 mm (4") Dial	
	15	150 mm (6") Dial	
2.	Case Type & Material -		X
	S	SS 304 Snap Action Bayonet Type	
3.	Type -		XXX
	DFB	Bourdon Type Differential Pressure Gauges	
	GF-DFB	Bourdon Type Glycerin Filled Differential Pressure Gauges	
4.	Additional Requirement to Type -		XX Or XXX
	SF	Solid Front Case (Safety Pattern)	
	SEC	Single Electric Contact (Contact Details – 380 VAC, 1 Amp/ 24 VDC, 0.5 Amp)	
	DEC	Double Electric Contact (Contact Details – 380 VAC, 1 Amp/ 24 VDC, 0.5 Amp)	
	TEC	Triple Electric Contact (Contact Details – 380 VAC, 1 Amp/ 24 VDC, 0.5 Amp)	
5.	Movement Material -		X
	S	SS 304	
	6	SS 316	
6.	Sensing Element Material -		X
	6	SS 316 Bourdon Tube	
	L	SS 316 L Bourdon Tube	
	M	Monel Bourdon Tube	
	Ti	SS 316 Ti Bourdon Tube	
7.	Socket Material -		X
	4	SS 304	
	6	SS 316	
	L	SS 316 L	
	M	Monel	
	Ti	SS 316 Ti	
8.	Mounting -	Bottom Connection Surface Mounting	XX
9.	Connection -		XXX
	18B/18N/18T	1/8" BSP / 1/8" NPT / 1/8" BSPT	
	14B/14N/14T	1/4" BSP / 1/4" NPT / 1/4" BSPT	
	38B/38N/38T	3/8" BSP / 3/8" NPT / 3/8" BSPT	
	12B/12N/12T	1/2" BSP / 1/2" NPT / 1/2" BSPT	
	M12 / M20	M12 x 1.0 / M20 x 1.5 mm	
10.	Range -		XXXX
	M025	0 to 250 mm WC	
	M030	0 to 300 mm WC	
	M040	0 to 400 mm WC	
	M060	0 to 600 mm WC	
	M100	0 to 1000 mm WC	
	M120	0 to 1200 mm WC	
	M160	0 to 1600 mm WC	
	M200	0 to 2000 mm WC	
	M250	0 to 2500 mm WC	
	M300	0 to 3000 mm WC	
	M400	0 to 4000 mm WC	
	M500	0 to 5000 mm WC	
	M600	0 to 6000 mm WC	
	K0P8	0 to 0.8 Kg/cm ² / Bar	
	K001	0 to 1 Kg/cm ² / Bar	
	K1P6	0 to 1.6 Kg/cm ² / Bar	
	K002	0 to 2 Kg/cm ² / Bar	
	K2P5	0 to 2.5 Kg/cm ² / Bar	
	K004	0 to 4 Kg/cm ² / Bar	
	K006	0 to 6 Kg/cm ² / Bar	
	K007	0 to 7 Kg/cm ² / Bar	
	K010	0 to 10 Kg/cm ² / Bar	