

“MICRO” Diaphragm Sealed Gauges are recommended where the medium to be measured is highly viscous or contains suspended solids or is potentially corrosive to bourdon tube. Sealed units are connected to the gauge directly or through flexible capillary for remote sensing. Pressure is transmitted from diaphragm sealed unit to the gauge by a suitable filling media.

Technical Specifications:

Nominal Size –

Ø 50, 63, 100, 150, 200 & 250 mm

Accuracy –

±1% of full scale (for 1 bar to 70 bar)

±1.6% of full scale (for Vacuum & above 100 bar)

Operating Temperature –

Ambient : -25°C to 65°C

Process : -25°C to 150°C Direct

Up to 350°C with Capillary Extension)

Case & Bezel –

S. S. 304 Snap Action with bayonet bezel

Ingress Protection –

For 50/63/100/200/250 mm: IP 65 as per EN 60 529 / IEC 529

For 150 mm : IP 68 as per IS / IEC 60529

Pressure Element –

S. S. 316 Bourdon Tube (< 100 bar C Shape & ≥100 bar helical shape)

Over Pressure Limit –

≤100 bar : 125% of full scale value.

> 100 bar < 600 bar : 115% of full scale value.

Movement –

S. S. 304 (S. S. 316 Optional)

Socket –

S. S. 304 / S. S. 316 / S. S. 316L (Monel 400 Optional)

Dial –

Aluminium – Pre coated White with black marking

Pointer –

Aluminium black finish Center zero / Micro zero adjustment

Window –

4 mm thick Toughened / Safety Glass, Glycerin filled gauges are fitted with Acrylic Window as standard

Joints –

Argon Arc Welded

Sealing Gasket –

Neoprene / EPDM Rubber

Blow Out Protection –

Neoprene / EPDM Rubber at back of case at 0.6 Kg/cm²



Standard
Diaphragm
Sealed

Compact
Diaphragm
Sealed

Pressure Relief –

Top of Case with Vent Valve

Liquid Filling –

Glycerin (99.7%) (Optional)

Sealed Unit –

Upper Housing : S. S. 304 (Standard) / S. S. 316

Diaphragm : S. S 316L (Standard) / Hastelloy C, Tantalum / Monel / PTFE Coating & Other on Request.

Lower Housing : S. S. 316 (Standard) / S. S. 316L / Hastelloy C / Tantalum / Monel / PTFE / PFA Coating & other on request.

Transmitting Fluid: Silicon (Standard) / Halocarbon / Glycerin / Vegetable Oil, etc ...

Type of Mounting –

Radial Bottom Direct Mounting

Surface with Capillary Extension

Panel with Capillary Extension

Process Connection –

1/4" / 3/8" / 1/2" / 1" / 1 1/2" / 2" BSP / NPT / BSPT

Pressure Ranges –

-30" Hg ... 0 ... 1000 Bar

Optional Features –

S. S. 316 Case & Bezel available on request

Cooling Tower Assembly

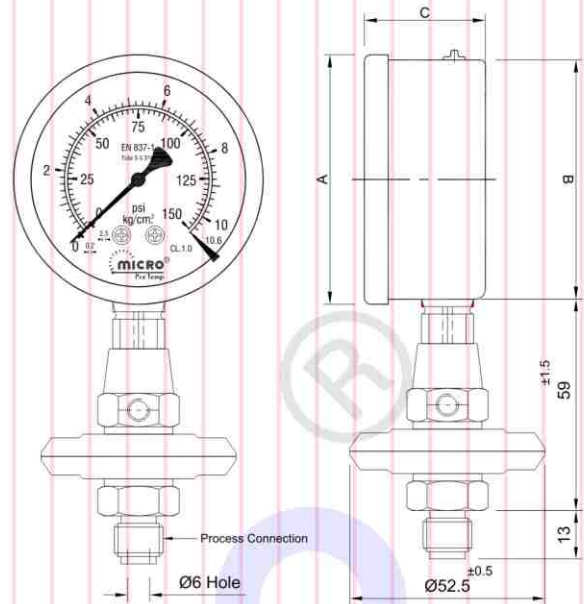
Application –

Petrochemical Industries / Refinery / Fertilizer Industries /

Waste Water Treatment Plants / Paint Industries / Automobile Industries, etc ...

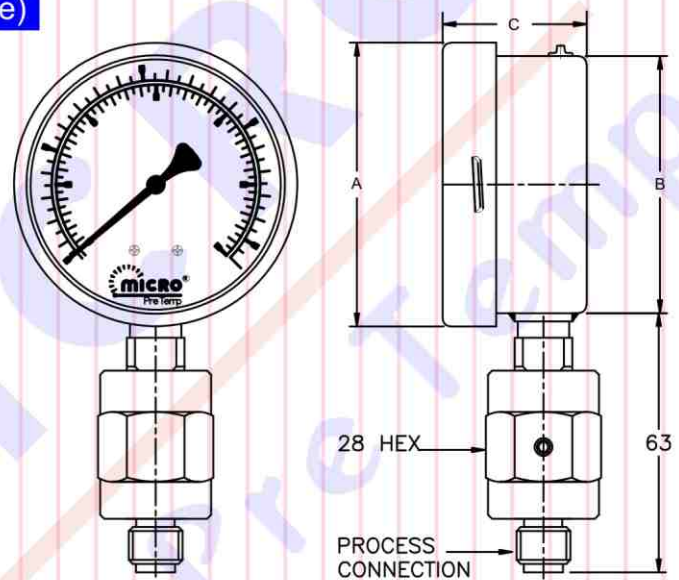
Compact Diaphragm Sealed (Low Pressure)

Dial Size	A	B	C
63 mm	69	63	33
100 mm	109	99	44
150 mm	163	148	48



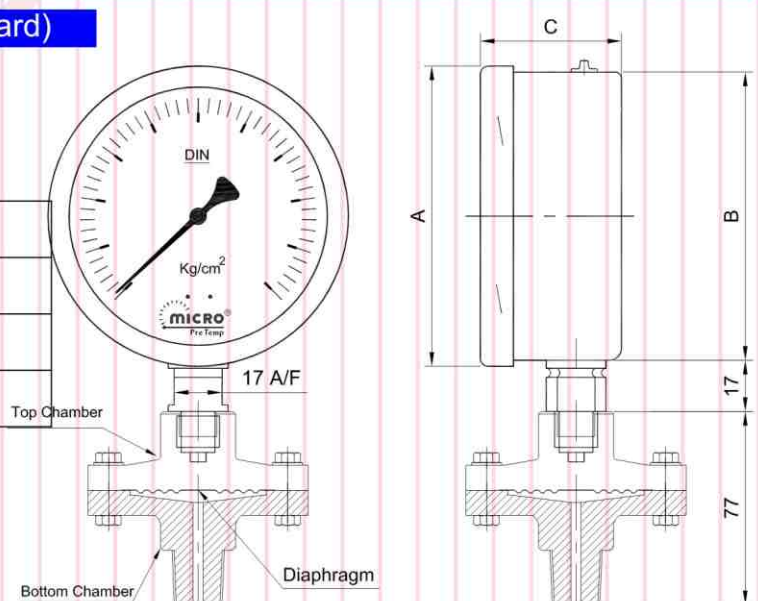
Compact Diaphragm Sealed (High Pressure)

Dial Size	A	B	C
63 mm	69	63	33
100 mm	109	99	44
150 mm	163	148	48



Threaded Diaphragm Sealed (Standard)

Dial Size	A	B	C
63 mm	69	63	33
100 mm	109	99	44
150 mm	163	148	48



Model De-Codification

1.	Dial Size -		XX
	06	63 mm (2 ½") Dial	
	10	100 mm (4") Dial	
	15	150 mm (6") Dial	
2	Case Type & Material -		X
	S	S. S. 304 Snap Action Bayonet Type	
3	Type -		XX Or XX-XX
	DS	Diaphragm Sealed Pressure Gauges	
	GF-DS	Glycerin Filled Diaphragm Sealed Pressure Gauge	
A	Additional Requirement to Type -		XX Or XXX
	SF	Solid Front Case (Safety Pattern)	
	SEC	Single Electric Contact Contact Details : 380 VAC, 1 Amp / 24 VDC, 0.5 Amp	
	DEC	Double Electric Contact Contact Details : 380 VAC, 1 Amp / 24 VDC, 0.5 Amp	
	TEC	Triple Electric Contact Contact Details : 380 VAC, 1 Amp / 24 VDC, 0.5 Amp	
5	Movement Material -		X
	B	Brass	
	S	S. S. 304	
	6	S. S. 316	
6	Sensing Element -		X
	6	S. S. 316	
	L	S. S. 316 L	
	M	Monel	
	Ti	S. S. 316 Ti	
7	Socket Material -		X
	4	S. S. 304	
	6	S. S. 316	
	L	S. S. 316 L	
	M	Monel	
	Ti	S. S. 316 Ti	
8	Mounting -		XX Or XXXX
	DB	Bottom Connection Direct Mounting	
	BCDM	Back Connection Direct Mounting	
	BCPM	Back Connection Panel Mounting	
	SM	Bottom Connection Surface Mounting	
	BCBR	Back Connection Bracket Mounting	
A	Additional Requirement to Mounting -		XXX
	CAP	Capillary Extension (available in SM / BCPM & BCBR mounting style) (3 meter standard with SS 304 Armor)	
	PTC	Teflon Coating on Diaphragm & Bottom Chamber	
	PTL	Teflon Lining on Diaphragm & Bottom Chamber	
9	Connection -		XXX
	18B/18N/18T	1/8" BSP / 1/8" NPT / 1/8" BSPT	
	14B/14N/14T	1/4" BSP / 1/4" NPT / 1/4" BSPT	
	38B/38N/38T	3/8" BSP / 3/8" NPT / 3/8" BSPT	
	12B/12N/12T	1/2" BSP / 1/2" NPT / 1/2" BSPT	
	M12 / M20	M12 x 1.0 or M20 x 1.5	
	XXX	Others, Please Specify	