

“MICRO” Gas / Mercury Filled Temperature Gauges are economical, rugged, reliable and accurate measuring instruments made of bulb, transmitting capillary and flat or coiled bourdon tube which are pressure filled with Mercury / Inert Gas. Variation of the ambient temperature is compensated by means of a Bi-Metal link between movement & bourdon tube.

Construction Features:

Dial size:

Ø100, 150, 200 & 250 mm

Accuracy:

±1% of full scale

Case & Bezel:

S. S. 304 with bayonet bezel

Ingress Protection:

IP-68 as per IS 13947 for 150 mm

IP-65 as per EN 60 529 / IEC 529 for rest

Sensor Element:

Mercury / Inert Gas actuated

Stem & Bulb Material:

S. S. 316

Stem Length:

110 mm (Minimum) to 600 mm (maximum), other on request

Stem Diameter:

6 mm / 8 mm / 10 mm / 12 mm / 14 mm

Transmitting Capillary Material:

M.S. / S. S. 316 Micro Bore

Capillary Protection:

S. S. 316 Tubing / Flexible Protection (PVC / S. S. Armor)

Capillary Length:

1 Meter to 40 Meter (Max)

Over Range Protection:

125% of full scale

Dial:

Aluminium – White with black marking

Pointer:

Aluminium – Black finish Micro Zero / Center Zero Adjustment

Window:

Toughened / Safety Glass

Joints:

Argon Arc Welded

Connection:

1/4" / 3/8" / 1/2" BSP / NPT/ BSPT Adjustable



Mounting:

Bottom Connection Direct Mounting

Back Connection Direct Mounting

Every Angle Mounting

Panel Mounting with Capillary Extension

Surface Mounting with Capillary Extension

Range:

-30°C ... +50°C to 650°C or equivalent in °F

Optional Features:

Dual scale in °C & °F available on request.

Extra Stem length available on request.

Liquid filling available on request.

Anti Vibration fitting available on request.

Electric Contact available on request.

Application:

Pharmaceutical Industries,

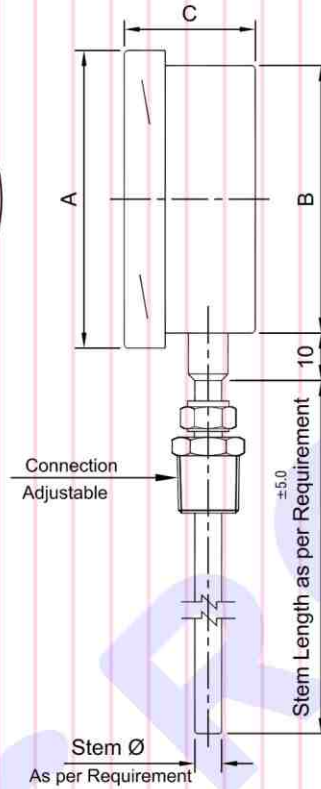
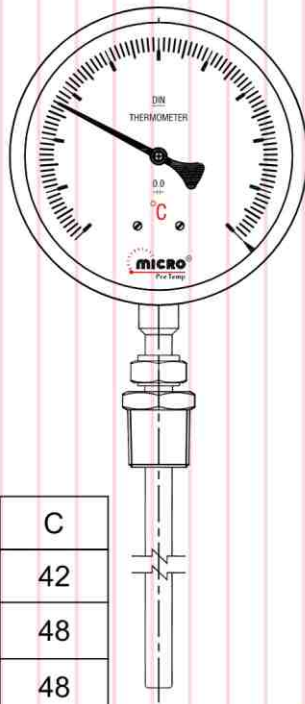
Chemical & Petrochemical Industries,

Fertilizer & Refineries,

Filters & Liquid Control Systems,

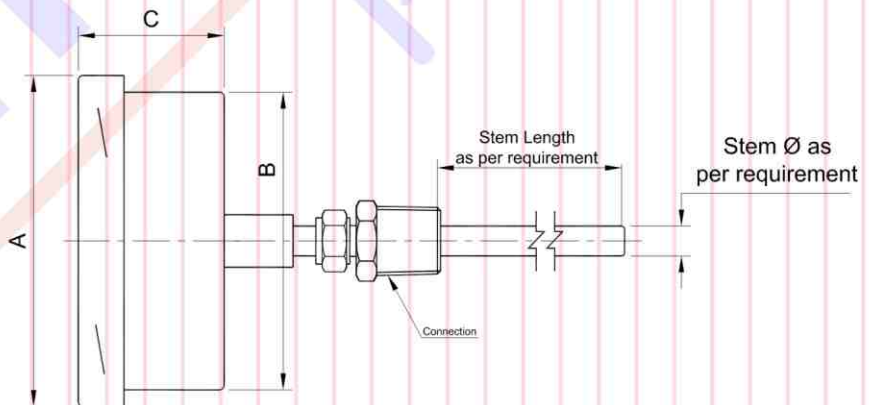
Other Process Industries

Bottom Mounting



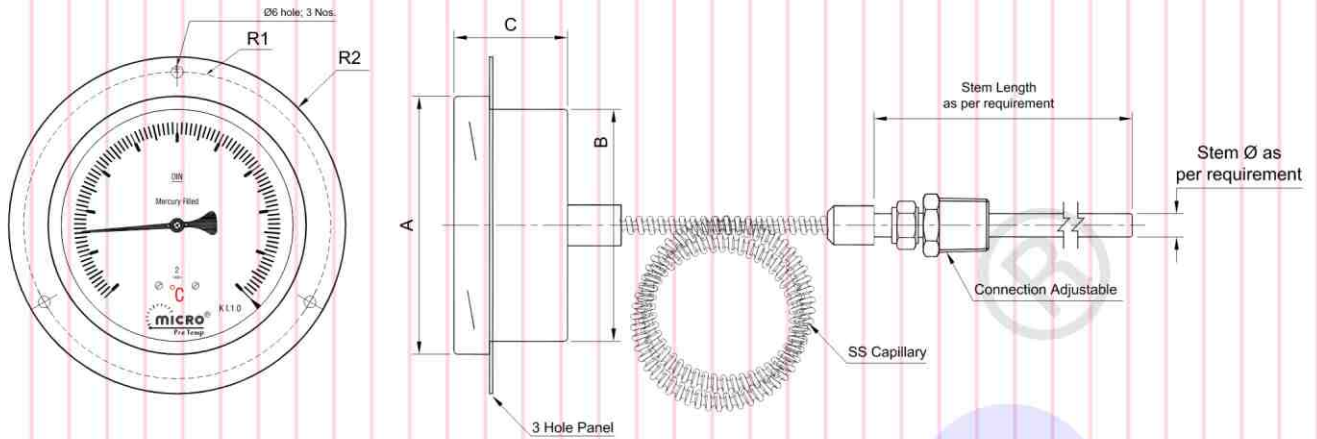
SIZE	A	B	C
63 MM (2.5")	70	63	42
100 MM (4")	109	99	48
150 MM (6")	163	148	48

Back Mounting



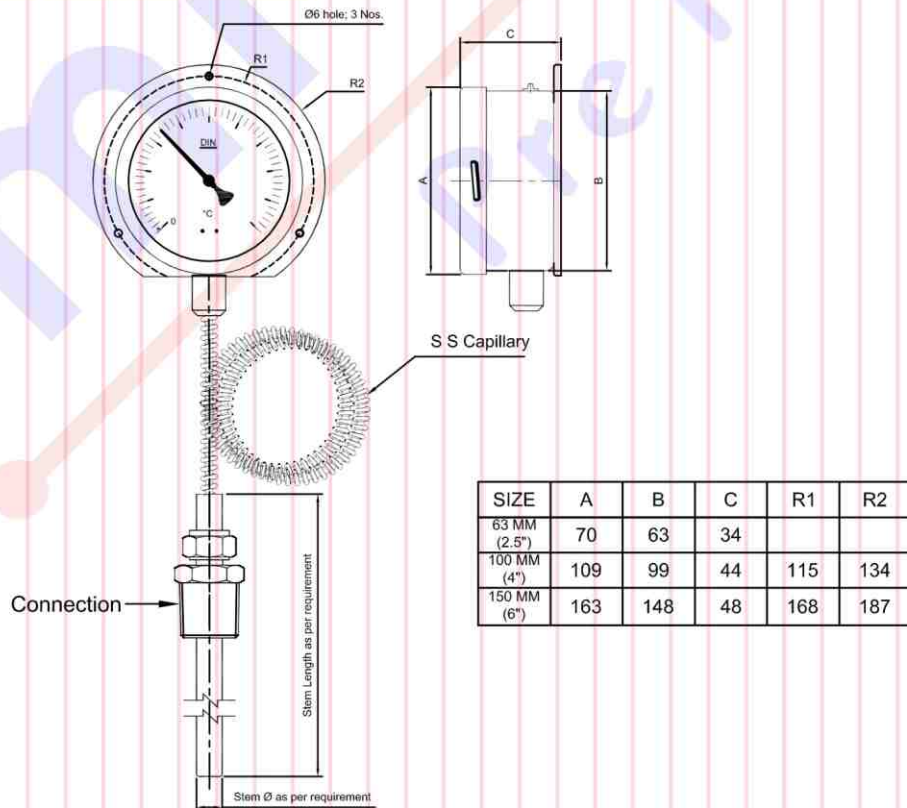
SIZE	A	B	C
63 MM (2.5")	70	63	42
100 MM (4")	109	99	48
150 MM (6")	163	148	48

Back Mounting Capillary Type



SIZE	A	B	C	R1	R2
63 MM (2.5")	70	63	34	75	85
100 MM (4")	109	99	44	115	134
150 MM (6")	163	148	48	168	187

Bottom Mounting Capillary Type



SIZE	A	B	C	R1	R2
63 MM (2.5")	70	63	34		
100 MM (4")	109	99	44	115	134
150 MM (6")	163	148	48	168	187

How To Order Gas Filled or Mercury Filled Temperature Gauge -

1. Basic Code / Series -	MGT "MICRO" Gas Filled Temperature Gauges MMT "MICRO" Mercury Filled Temperature Gauges	XXX
2. Dial Size, Case Type & Material -	06S 63 mm (2 1/2") Dial 10S 100 mm (4") Dial 15S 150 mm (6") Dial 20S 200 mm (8") Dial 25S 250 mm (10") Dial	XXX
3. Additional Requirement -	NA Not Applicable GF Glycerin Filled SF Silicon Filled EC Electric Contact (Contact Details – 230 V AC, 1 Amp / 48 V DC 0.5 Amp Magnetic Snap Action)	XX
4. Internal Parts with MOC -	S SS 304 Movement 6 SS 316 Bourdon 6 SS 316 Stem as Wetted Parts	S66
5. Mounting Style -	DB Bottom Connection Direct Mounting SM Bottom Connection Surface Mounting EA Every Angle Mounting BC Back Connection Direct Mounting PM Back Connection Panel Mounting (3 Hole Panel) BR Back Connection Bracket Mounting PB Back Connection Panel + Bracket Mounting	XX
6. Stem / Capillary Type	RS Rigid Stem Type AV Anti Vibration Spring (L x CT) SS Capillary + SS Tube (L x CA) SS Capillary + SS Armor (L x AP) SS Capillary + SS Armor + PVC (L x CP) SS Capillary + PVC	XX Or X x XX L = Length of Capillary, Please Specify. E.g.: (10 x CA) = 10 Meter SS capillary + SS Armor
7. Connection -	14B/14N/14T 1/4" BSP / 1/4" NPT / 1/4" BSPT (Suitable for Ø 6mm & 8 mm Stem) 38B/38N/38T 3/8" BSP / 3/8" NPT / 3/8" BSPT (Suitable for Ø 6mm, 8 mm & 10 mm Stem) 12B/12N/12T 1/2" BSP / 1/2" NPT / 1/2" BSPT (Suitable for Ø 6mm, 8mm, 10 mm & 12 mm Stem) 34B/34N/34T 3/4" BSP / 3/4" NPT / 3/4" BSPT (Suitable for Ø 6mm, 8mm, 10 mm & 12 mm Stem) M20 M20 x 1.5 mm (Suitable for Ø 6mm, 8mm, 10 mm & 12 mm Stem) OTH Others Please specify	XXX
8. Stem Diameter x Length	(06 x L) Ø 6 mm Dia. (L = Length of Stem, Please Specify) (08 x L) Ø 8 mm Dia. (L = Length of Stem, Please Specify) (10 x L) Ø 10 mm Dia. (L = Length of Stem, Please Specify) (12 x L) Ø 12 mm Dia. (L = Length of Stem, Please Specify) (14 x L) Ø 14 mm Dia. (L = Length of Stem, Please Specify) (16 x L) Ø 16 mm Dia. (L = Length of Stem, Please Specify)	(XX x X)
9. Range	°C °C & °F Range C060 D060 0 to 60°C C080 D080 0 to 80°C C100 D100 0 to 100°C C120 D120 0 to 120°C C150 D150 0 to 150°C C160 D160 0 to 160°C C200 D200 0 to 200°C C250 D250 0 to 250°C C300 D300 0 to 300°C C400 D400 0 to 400°C C500 D500 0 to 500°C C600 D600 0 to 600°C C650 D650 0 to 650°C C240 D240 -20° to 40°C C260 D260 -20° to 60°C C212 D212 -20° to 120°C C384 D384 -38° to 40°C C386 D386 -38° to 60°C	XXXX