

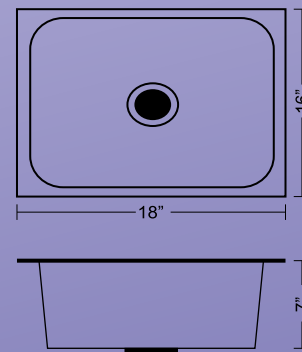
**TOUCH**Max  
BATH FITTINGS

*Exceptional Performance*



PREMIUM RANGE OF  
STAINLESS STEEL  
Kitchen Sinks





### CRYSTAL SERIES

#### Features:-

- Single bowl sink manufactured from 202 grade stainless steel
- With anti condensation coating
- With waste coupline

#### Installation:-

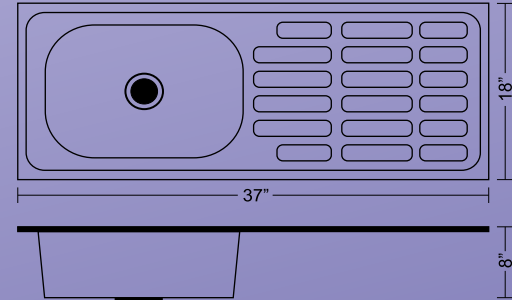
Top mount

Sr. No.	Overall Size (inch/mm)	Bowl Size (inch/mm)	Medium (0.6mm) Pcs Per Box Packing	Heavy (0.8mm) Pcs Per Box Packing	Premium (1mm) Pcs Per Box Packing
1.	16"x18"x7" / 400x450x175mm	16"x14" / 400x350	6 Pcs.	-	-
2.	16"x18"x8" / 400x450x200mm	16"x14" / 400x350	5 Pcs.	5 Pcs.	4 Pcs.

**TOUCH**Max  
BATH FITTINGS



**CRYSTAL SERIES**



### CRYSTAL SERIES

#### Features:-

- Single bowl sink manufactured from 202 grade stainless steel
- With anti condensation coating
- With waste coupline

#### Installation:-

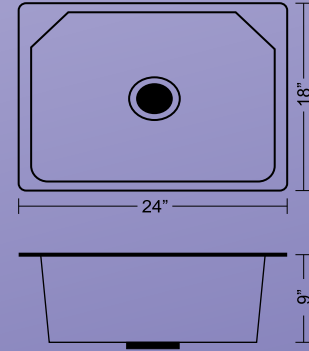
Top mount

Sr. No.	Overall Size (inch/mm)	Bowl Size (inch/mm)	Medium (0.6mm) Pcs Per Box Packing	Heavy (0.8mm) Pcs Per Box Packing	Premium (1mm) Pcs Per Box Packing
1.	37"x18"x8" / 925x450x200mm	16"x14" / 400x350	2 Pcs.	-	-

**TOUCH**Max  
BATH FITTINGS



**CRYSTAL SERIES**



### DIAMOND SERIES

#### Features:-

- Single bowl sink manufactured from 202 grade stainless steel
- With anti condensation coating
- With waste coupline and waste pipe

#### Installation:-

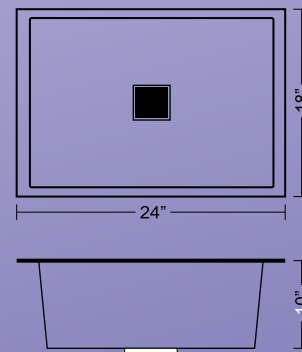
Top mount

Sr. No.	Overall Size (inch/mm)	Bowl Size (inch/mm)	Pcs Per Box Packing
1.	16"x18"x8" / 400x450x200mm	13"x15" / 325x375	6 Pcs.
2.	24"x18"x9" / 600x450x225mm	21"x15" / 525x375	6 Pcs.

**TOUCH**Max  
BATH FITTINGS



**DIAMOND SERIES**



### HANDMADE SERIES

#### Features:-

- Single bowl sink manufactured from 202 grade stainless steel
- With anti condensation coating
- With waste coupline, basket, waste pipe

#### Installation :-

Top mount

#### Colors :-



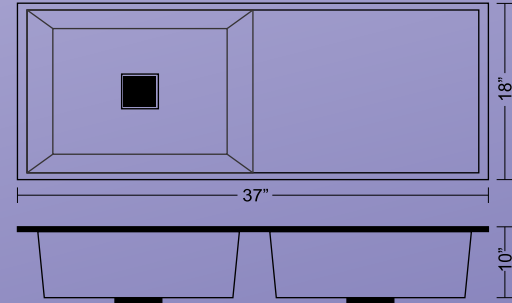
Sr. No.	Overall Size (inch/mm)	Bowl Size (inch/mm)	Pcs Per Box Packing
1.	18"x16"x9" / 450x400x225mm	14"x16" / 350x400	1 Pcs.
2.	21"x18"x9" / 600x450x225mm	19"x16" / 475x400	1 Pcs.
3.	24"x18"x10" / 600x450x250mm	22"x16" / 550x400	1 Pcs.

**TOUCH**Max  
BATH FITTINGS



**HANDMADE SERIES**





### HANDMADE SERIES

#### Features:-

- Single bowl sink manufactured from 202 grade stainless steel
- With anti condensation coating
- With waste coupline, basket, waste pipe

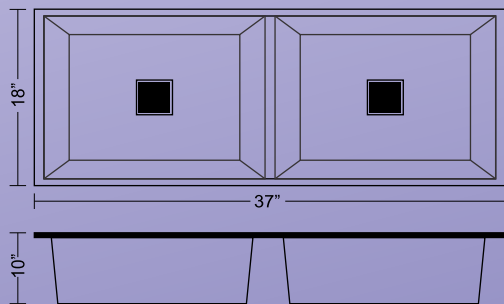
#### Installation :-

Top mount

Sr. No.	Overall Size (inch/mm)	Bowl Size (inch/mm)	Medium (0.6mm) Pcs Per Box Packing	Heavy (0.8mm) Pcs Per Box Packing	Premium (1mm) Pcs Per Box Packing
1.	37"x18"x10" / 925x450x250mm	16"x14" / 400x350	1 Pcs.	1 Pcs.	-

## CLASSIC RANGE DOUBLE BOWL SINKS

**TOUCH**Max  
BATH FITTINGS



### HANDMADE SERIES

#### Features:-

- Double bowl sink manufactured from 202 grade stainless steel
- With anti condensation coating
- With waste coupline, basket, waste pipe

#### Installation :-

Top mount

Sr. No.	Overall Size (inch/mm)	Bowl Size (inch/mm)	Medium (0.6mm) Pcs Per Box Packing	Heavy (0.8mm) Pcs Per Box Packing	Premium (1mm) Pcs Per Box Packing
1.	37"x18"x10" / 925x450x250mm	16"x14" / 400x350	1 Pcs.	1 Pcs.	-



# ***TOUCH*Max**

## BATH FITTINGS

📍 Add.: Dhumal Nagar,  
Waliv Vasai East,  
Palghar - 401 208

☎ 7838456879 / 7905561760 / 9867862579

✉ [www.touchmax.in](http://www.touchmax.in)