



**Mechanical Woltman Dry Dial type**



**Mechanical Woltman Dry Dial type  
with Pulse Output**

## Introduction

**Woltman meters are Dry Dial Magnetic Driven Turbine Flow Meters** measure the velocity of the water flowing through with the help of a turbine. The volume is mechanically calculated, through the known section area and indicated with the roller counters in cubic meters.

In the horizontal axis Woltman meters, the turbine shaft is arranged parallel to the axis of the pipeline. The rotation of the turbine is transmitted through a worm gear to the dry dial counter. A very robust construction, little head loss. Industrial meters bulk type magnetic drive as per ISO 4064 flange end. Dry dial, Magnetic Drive Measuring Accuracy Conforming to **ISO 4064 CLASS-B** Interchangeable Spare Parts for easy maintenance

## Features

- Woltman type water meter, dry dial type register with magnetic transmission.
- Hermetically sealed register, and protected against external magnetic interference.
- Optimum accuracy with very low starting flow rate and pressure loss.
- Removable measuring insert.
- Long-life, low maintenance operation,
- Performance well at all times and in horizontal position.
- Dimensions as per ISO4064.
- The water meter in special edition is equipped with pulse output.

## Applications

- Water Distribution Network
- Industrial / Commercial Water Supply
- ETP Plant, Pharmaceutical, PWD

## Specifications

|                  |   |
|------------------|---|
| Type             | Woltman removable type, Pulse Output (Optional)   |
| Material         | Cast Iron   |
| Dial             | Dry Dial, Magnetic Driven   |
| Display          | Mechanical Rotary Digit, 9999999 m3   |
| Mounting         | Horizontal  |
| Line Size        | DN 50 to DN 500   |
| Temperature      | ≤ 45 Deg. C for cold water meter<br>≤ 90 Deg. C for hot water meter   |
| Working Pressure | 1.6MPa  |
| Test Pressure    | 2.0MPa  |
| Indicating Error | ± 2% from Q <sub>max</sub> (inclusive) to Q <sub>t</sub> (inclusive)<br>± 5% from Q <sub>t</sub> (exclusive) to Q <sub>min</sub> ( inclusive) |

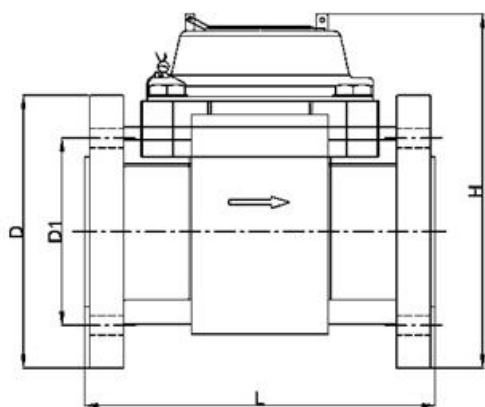
## Model Selection

| Series | 1                            | 2                                | 3                          |
|--------|------------------------------|----------------------------------|----------------------------|
| NMFM   | Line Size<br>DN 50 to DN 500 | Temperature<br>C – Cold; H – Hot | Others<br>P – Pulse Output |

Selection – Line Size vs Flow range

| Meter Size<br>Dia<br>DN<br>(mm) | Class | qs<br>Overload<br>Flow | qt<br>Nominal<br>Flow | qt<br>Transitional<br>Flow | qmin<br>Min<br>Flow | Min<br>Reading | Max<br>Reading |
|---------------------------------|-------|------------------------|-----------------------|----------------------------|---------------------|----------------|----------------|
|                                 |       | m3/h                   |                       |                            |                     | m3             |                |
| 50                              |       | 30                     | 15                    | 3                          | 0.45                | 0.01           | 999999         |
| 65                              | B     | 50                     | 25                    | 5                          | 0.75                | 0.01           | 999999         |
| 80                              | B     | 80                     | 40                    | 8                          | 1.2                 | 0.01           | 999999         |
| 100                             | B     | 120                    | 60                    | 12                         | 1.8                 | 0.01           | 999999         |
| 125                             | B     | 200                    | 100                   | 20                         | 3                   | 0.01           | 999999         |
| 150                             | B     | 300                    | 150                   | 30                         | 4.5                 | 0.1            | 999999         |
| 200                             | B     | 500                    | 250                   | 50                         | 7.5                 | 0.1            | 999999         |
| 250                             | B     | 800                    | 400                   | 80                         | 12                  | 0.1            | 999999         |
| 300                             | B     | 1200                   | 600                   | 120                        | 18                  | 1              | 999999         |
| 400                             | B     | 2000                   | 1000                  | 200                        | 30                  | 0.1            | 999999         |
| 500                             | B     | 3000                   | 1500                  | 300                        | 45                  | 0.01           | 999999         |

Dimensional Drawing as per ISO4064



| Meter Size<br>Dia<br>DN<br>(mm) | L<br>Length | B<br>Width | H<br>Height | Connecting Flange |                             |                            | Wt./<br>Weight |
|---------------------------------|-------------|------------|-------------|-------------------|-----------------------------|----------------------------|----------------|
|                                 |             | mm         |             | D mm              | BOLT Circle dia<br>D1<br>mm | Connecting BOLT dia<br>Pcs | Kg.            |
| 50                              | 200         | 175        | 250         | 165               | 125                         | 4 X M16                    | 12             |
| 65                              | 200         | 185        | 255         | 185               | 145                         | 4 X M16                    | 13             |
| 80                              | 225         | 200        | 255         | 200               | 160                         | 8 X M16                    | 15             |
| 100                             | 250         | 220        | 275         | 220               | 180                         | 8 X M16                    | 19             |
| 125                             | 250         | 245        | 285         | 245               | 210                         | 8 X M16                    | 22             |
| 150                             | 300         | 285        | 375         | 285               | 240                         | 8 X M20                    | 47             |
| 200                             | 350         | 345        | 400         | 340               | 295                         | 8 X M20                    | 48             |
| 250                             | 400         | 395        | 484         | 395               | 350                         | 12 X M20                   | 110            |
| 300                             | 450         | 445        | 506         | 445               | 400                         | 12 X M20                   | 115            |
| 400                             | 500         | 565        | 621         | 565               | 515                         | 16 X M24                   | 180            |
| 500                             | 500         | 670        | 725         | 670               | 620                         | 20 X M24                   | 330            |



**Nectar Engineers**

Regd. Address : JG1/27, Ground Floor, Vikaspuri, New Delhi – 110 018 India  
 Contact No. : +91 98107 69928  
 Email : [nectarmktgdelhi@gmail.com](mailto:nectarmktgdelhi@gmail.com); [nectarsales5@gmail.com](mailto:nectarsales5@gmail.com)  
 GSTIN No. : 07AELPK4087L1ZY