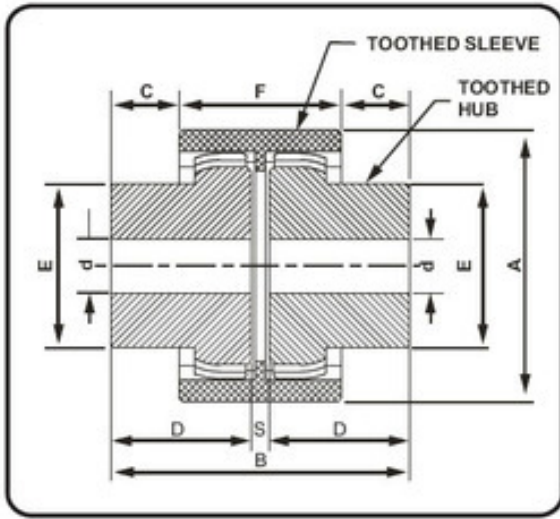


# UNIQUE NYLON GEAR COUPLINGS



## UNIQUE NYLON GEAR COUPLINGS:

Unique Nylon Gear Couplings that we offer are used in motor/ generator sets, motor/pump sets, and many other light duty industrial couplings. No lubricants are ever required, eliminating the need for seals.

We manufactured using qualitative raw material procured from trusted source. Nylon Gear Coupling has two steel gears which engage in a sleeve of high grade polyamide material which has very good strength over a wide range of available couplings.

Coupling Size	Coupling Rating For 100 RPM		Rated Torque Nm	Max. Speed RPM	Bore Dia d		A	B	C	D	E	F	S	Wt. in kg.	M. I. (WR <sup>2</sup> ) in kgm <sup>2</sup>
	HP	KW			Min.	Max.									
LPG-19	0.23	0.17	16.6	11800	10	19	48	58	10.5	27	32	37	4	0.24	0.000042
LPT-28	0.66	0.49	47	8500	15	28	66	84	19	40	44	46	4	0.86	0.00028
LPG-38	1.18	0.88	84	6700	15	38	83	84	18	40	58	48	4	1.40	0.00078
LPG-48	2.94	2.19	209	6000	15	48	100	110	28.5	53	65	53	4	2.38	0.00165
LPG-65	5.4	4.0	380	4000	25	55	144	144	36	70	96	72	4	9.3	0.009

### MAXIMUM RATING

Coupling Size	Elec. Motor Frame. Size	3000 RPM		1500 RPM		1000 RPM		750 RPM		Max. Torque at 1500 RPM	
		KW	HP	KW	HP	KW	HP	KW	HP	KW	HP
Nylo-19	80	2.2	3	1.5	2	1.1	1.5	0.75	1	0.5	3.6
Nylo-28	90S, 90L, 100L, 112M	7.5	10	5.5	7.5	4.25	5	2.2	3	2.3	16.6
Nylo-38	132S, 132 M	10	13	7.5	10	5.5	7.5	3	4.5	7	4.9
Nylo-48	160M.L, 180 M.L	22	30	18.5	25	15	20	11	15	14.4	104
Nylo-65	200L to 250 M	55	75	55	75	37	50	30	40	35.5	2.56

## GOYAL ENGINEERING COMPANY

An ISO 9001:2008 Certified Company