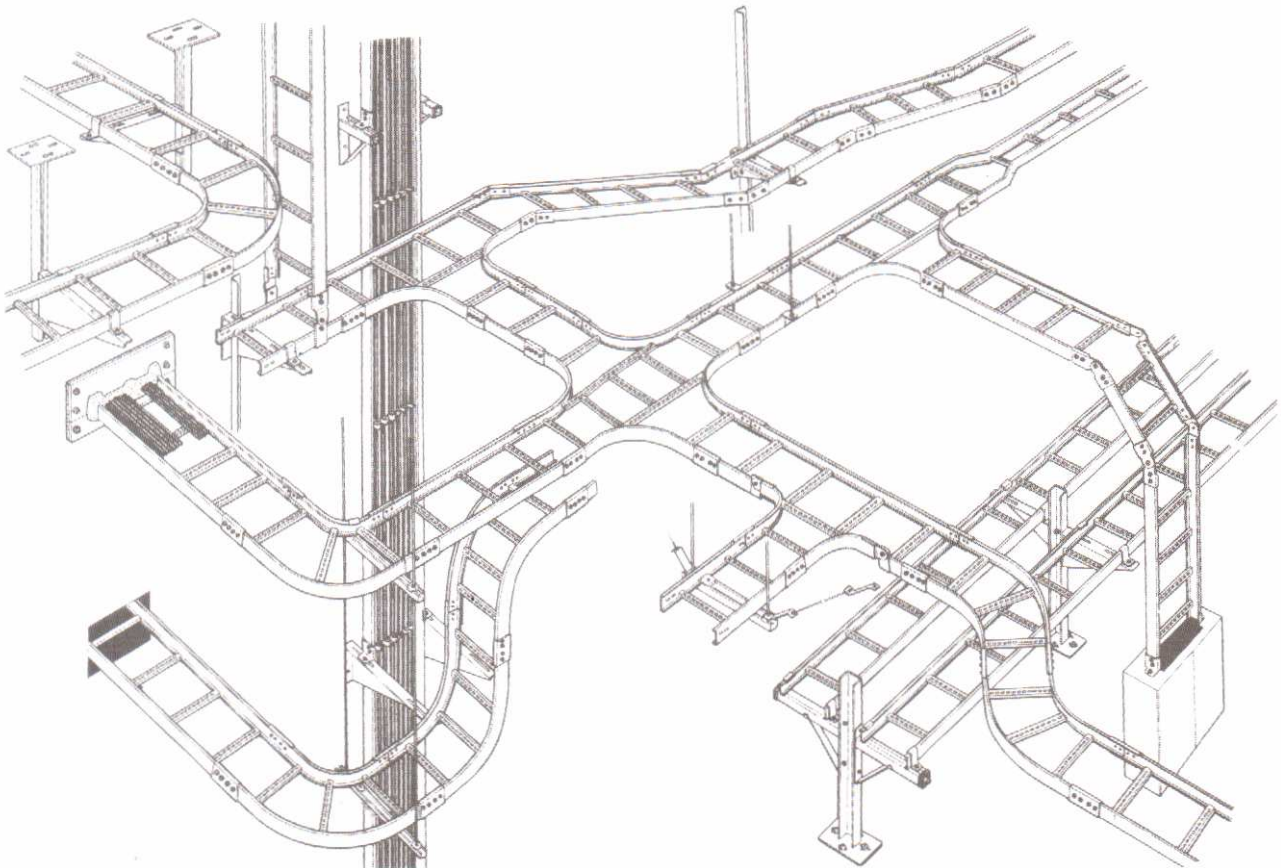




PARMAR





Parmar Metals Pvt. Limited (P.M.P.L.) the name which is trusted by our valuable customers and the leader amongst the perforation companies in India was established in the year 1983.

The company is engaged in the business of manufacturing of wide range of perforated as well as expanded metal products, Perforated & Ladder Type Cable Trays, Accessories, Supporting System & Hot Dip Galvanise Plant.

The Company is situated at survey no. 207, Veraval (Shapar), Rajkot in the state of Gujarat (India). Having Five Factory Buildings with a total built up area of 7500 sq.m. All the factories are equipped with modern high tech machineries along with enthusiastic skilled workforce of 135 employees.

The initial principle business of the company is involved in manufacturing and trading of sheet metal products. Today, company's business is successfully spreading in private as well as government sectors like Service, Defense, Railway, BHEL, NTPC.

The company assures and provide quality products at competitive rates prompt delivery and efficient service which has become the contributory factor to comment a major local market share and establish a strong industrial export market position.

THE MAJOR PRODUCT RANGE MANUFACTURED BY PMPL :-

- 1) Perforated Metal Sheets for Multiple Applications
- 2) Expanded Metal Sheets.
- 3) Cable Trays (Perforated & Ladder Type with Support System)
 - Perforated Type
 - Ladder Type
 - Cable Trays Accessories
 - Cable Support System
 - Race Ways (Floor Application)
 - Wire Ways / Duct (Ceiling Application)
 - 4 Way Junction Box & Accessories
- 4) Earthing Flats, Pipes, Round Bar & Expanded.
- 5) Telecom & Power Structures.
- 6) Solar Power Structures.
- 7) Hot Dip Galvanise.
- 8) Acid Pickling (Zink Phosphating)



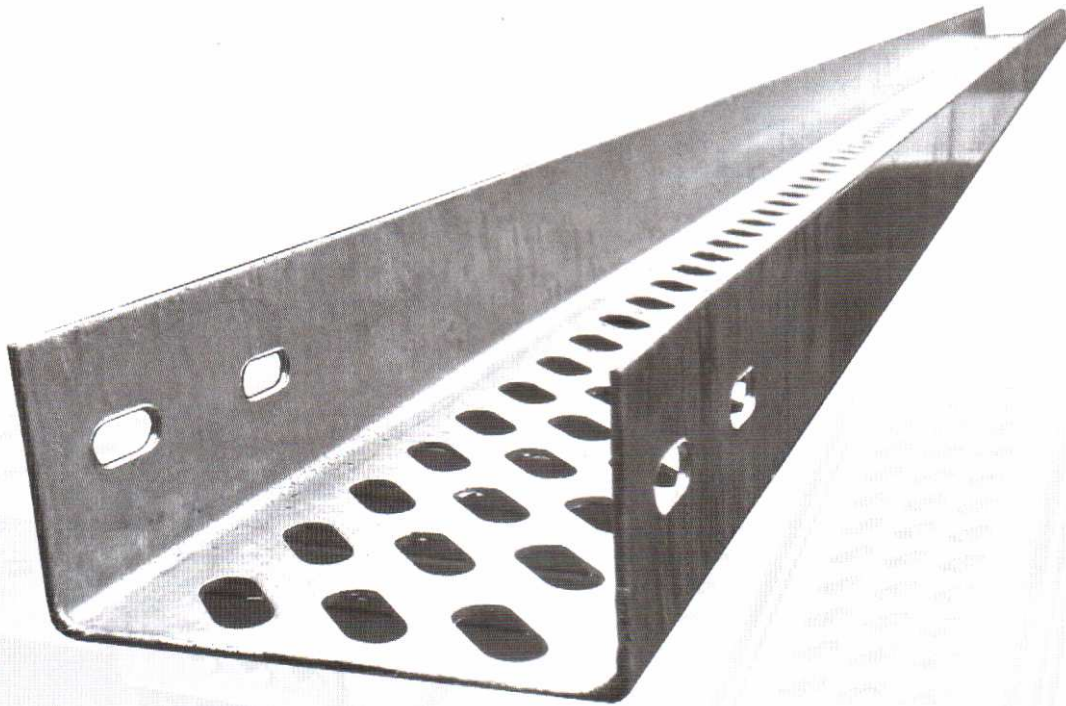


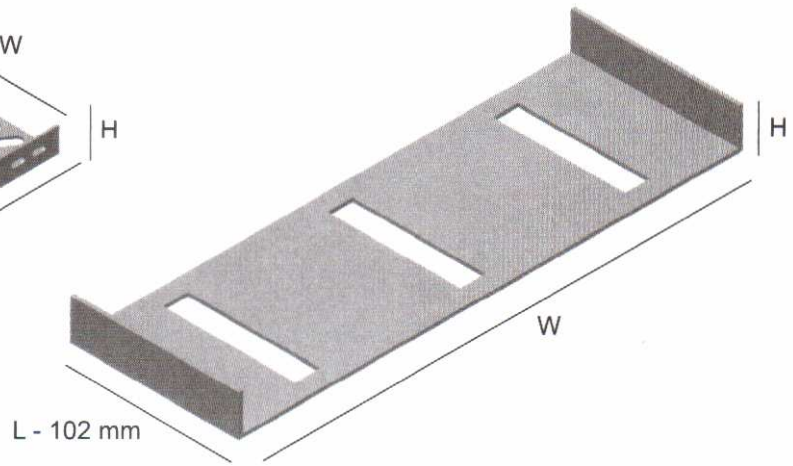
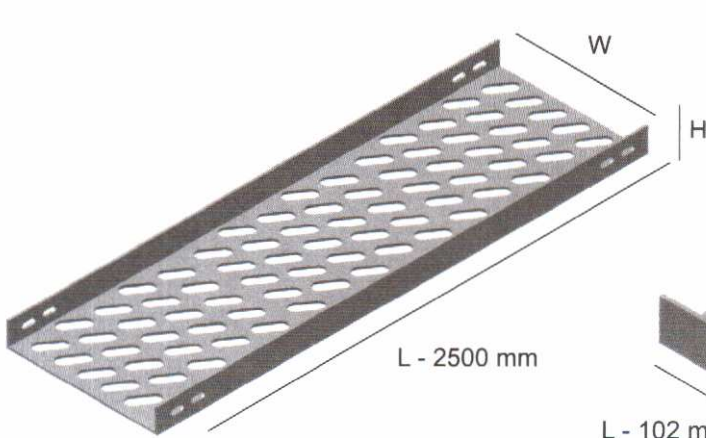
PARMAR METALS PVT. LTD.

Standard Cable Support System - Tray, Admiralty Pattern Type

STANDARD CABLE TRAY

PERFORATED TYPE





Straight Length

Part No. : PMPL 101

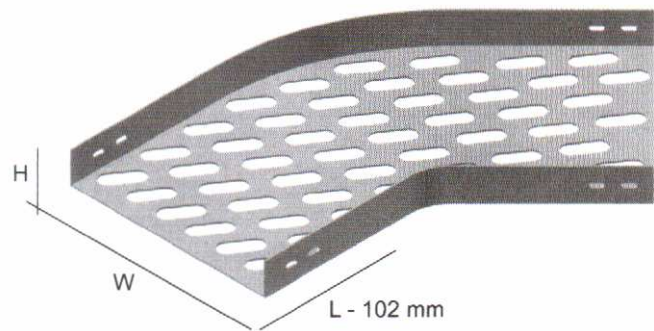
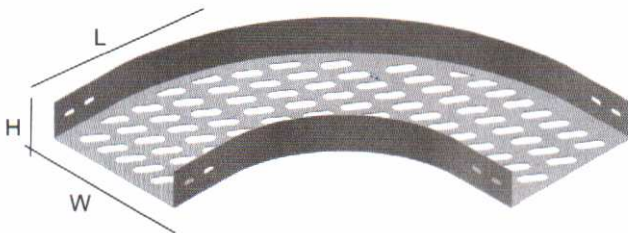
W(mm)	H(mm)	T(mm)
50	25/50	1.6/2
75	25/50	1.6/2
100	25/50	1.6/2
150	25/50	1.6/2
200	25/50	2/2.5
300	25/50	2/2.5
400	25/50	2/2.5
500	25/50	2/2.5
600	25/50	2/2.5

A wide range of sizes is available.

Fish Plate

Part No. : PMPL 102

W(mm)	H(mm)	No. Slots	Type	T(mm)
53	25/50	2	1	1.6/2
78	25/50	2	1	1.6/2
104	25/50	2	1	1.6/2
154	25/50	2	1	1.6/2
204	25/50	2	1	2/2.5
304	25/50	3	2	2/2.5
404	25/50	3	2	2/2.5
504	25/50	3	2	2/2.5
604	25/50	3	2	2/2.5



90° Bend

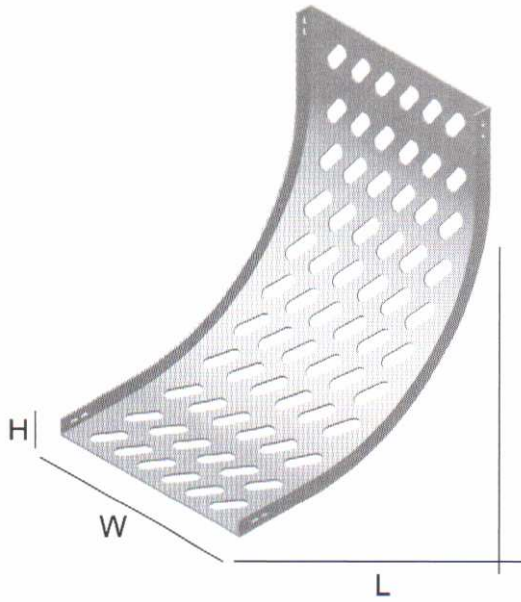
Part No. : PMPL 103

W(mm)	H(mm)	T(mm)
50	25/50	1.6/2
75	25/50	1.6/2
100	25/50	1.6/2
150	25/50	1.6/2
200	25/50	2/2.5
300	25/50	2/2.5
400	25/50	2/2.5
500	25/50	2/2.5

45° Bend

Part No. : PMPL 104

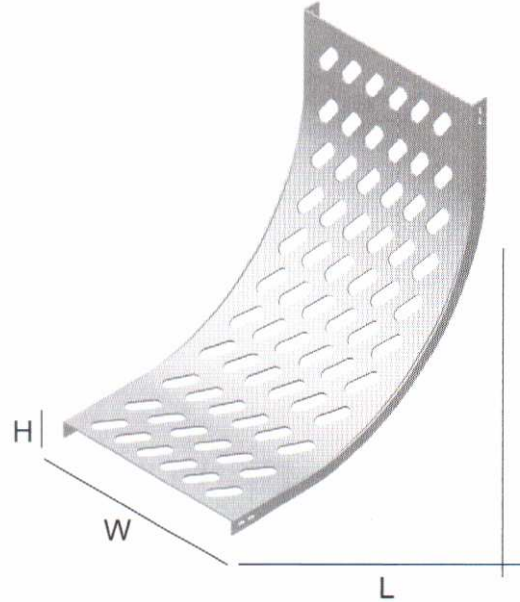
W(mm)	H(mm)	T(mm)
50	25/50	1.6/2
75	25/50	1.6/2
100	25/50	1.6/2
150	25/50	1.6/2
200	25/50	2/2.5
300	25/50	2/2.5
400	25/50	2/2.5
500	25/50	2/2.5



90° Internal Riser

Part No. : PMPL 105

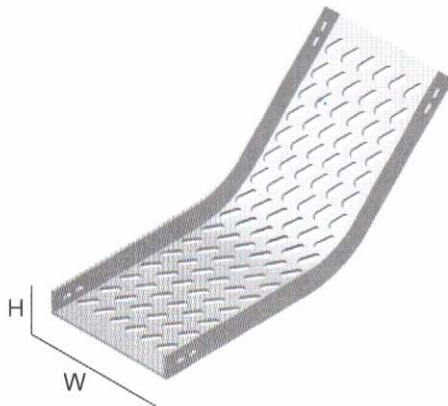
W(mm)	H(mm)	T(mm)
50	25/50	1.6/2
75	25/50	1.6/2
100	25/50	1.6/2
150	25/50	1.6/2
200	25/50	2/2.5
300	25/50	2/2.5
400	25/50	2/2.5
500	25/50	2/2.5
600	25/50	2/2.5



90° External Riser

Part No. : PMPL 106

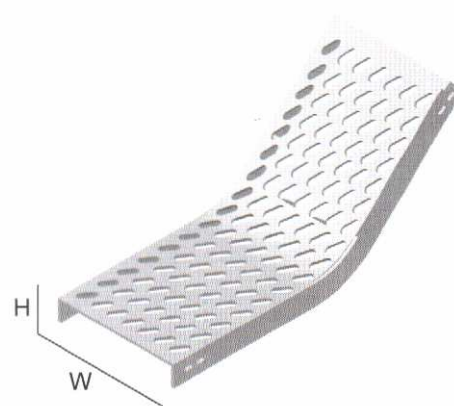
W(mm)	H(mm)	T(mm)
50	25/50	1.6/2
75	25/50	1.6/2
100	25/50	1.6/2
150	25/50	1.6/2
200	25/50	2/2.5
300	25/50	2/2.5
400	25/50	2/2.5
500	25/50	2/2.5
600	25/50	2/2.5



45° Internal Riser

Part No. : PMPL 107

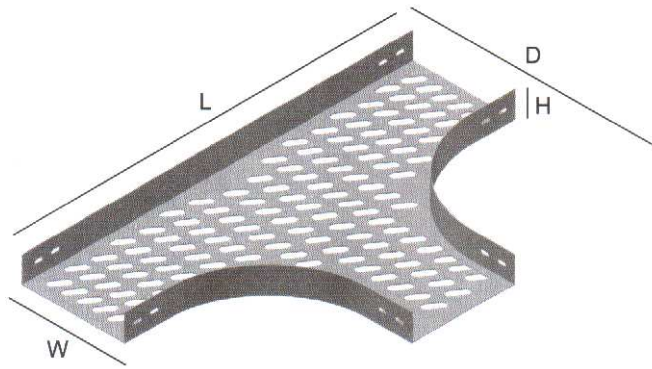
W(mm)	H(mm)	T(mm)
50	25/50	1.6/2
75	25/50	1.6/2
100	25/50	1.6/2
150	25/50	1.6/2
200	25/50	2/2.5
300	25/50	2/2.5
400	25/50	2/2.5
500	25/50	2/2.5



45° External Riser

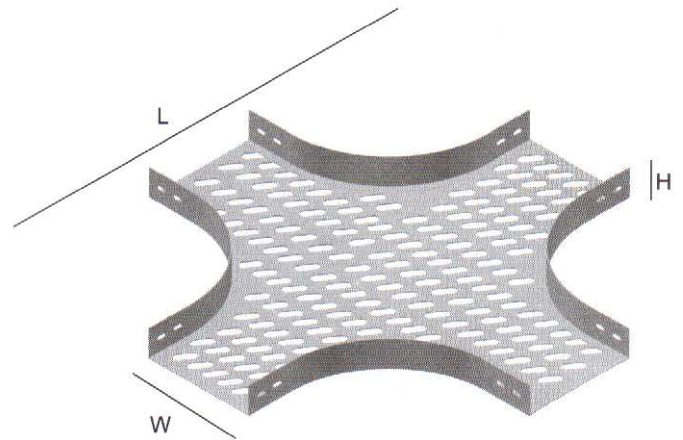
Part No. : PMPL 108

W(mm)	H(mm)	T(mm)
50	25/50	1.6/2
75	25/50	1.6/2
100	25/50	1.6/2
150	25/50	1.6/2
200	25/50	2/2.5
300	25/50	2/2.5
400	25/50	2/2.5
500	25/50	2/2.5



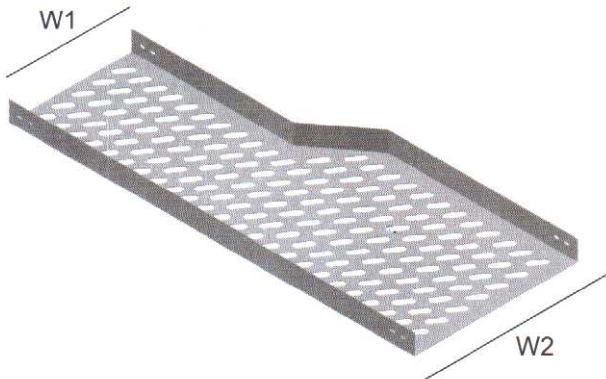
Tee Part No. : PMPL 109

W(mm)	H(mm)	L(mm)	D(mm)	T(mm)
50	25/50	356	203	1.6/2
75	25/50	381	228	1.6/2
100	25/50	406	253	1.6/2
150	25/50	456	303	1.6/2
200	25/50	506	353	2/2.5
300	25/50	606	453	2/2.5
400	25/50	706	553	2/2.5
500	25/50	806	653	2/2.5
600	25/50	906	753	2/2.5



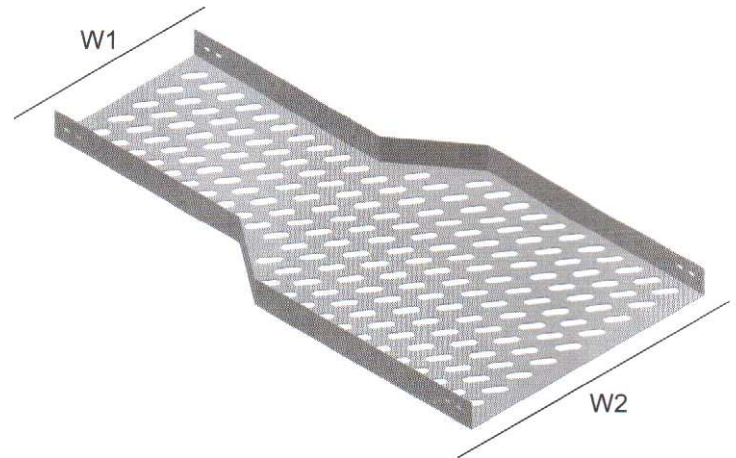
Cross Part No. : PMPL 110

W(mm)	H(mm)	L(mm)	T(mm)
50	25/50	350	1.6/2
75	25/50	375	1.6/2
100	25/50	400	1.6/2
150	25/50	450	1.6/2
200	25/50	500	2/2.5
300	25/50	600	2/2.5
400	25/50	700	2/2.5
500	25/50	800	2/2.5
600	25/50	900	2/2.5



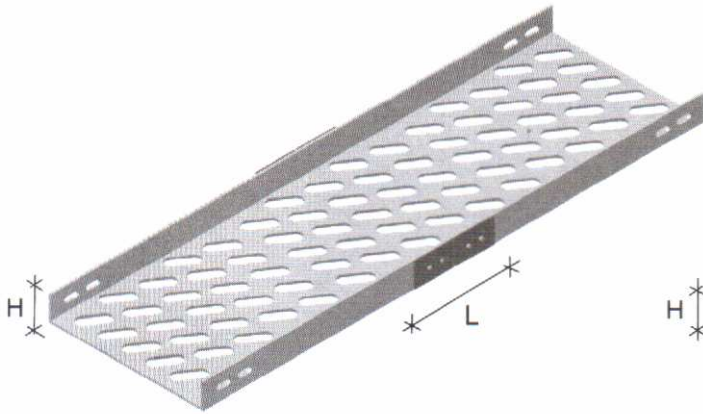
LH / RH Reducer Part No. : PMPL 111

W-1	W-2	T(mm)
50	75	1.5/2
75	100	1.5/2
100	150	1.5/2
150	200	1.5/2
200	300	2/2.5
300	400	2/2.5
400	500	2/2.5
500	600	2/2.5
600	800	2/2.5



Central Reducer Part No. : PMPL 112

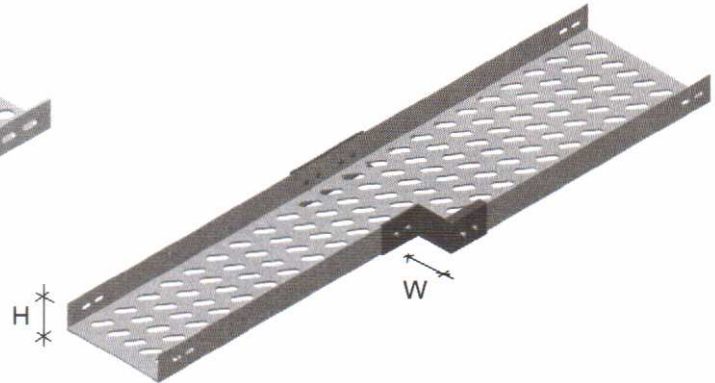
W-1	W-2	T(mm)
50	75	1.5/2
75	100	1.5/2
100	150	1.5/2
150	200	1.5/2
200	300	2/2.5
300	400	2/2.5
400	500	2/2.5
500	600	2/2.5
600	800	2/2.5



Coupler / Straight Joint Plate

Part No. : PMPL 113

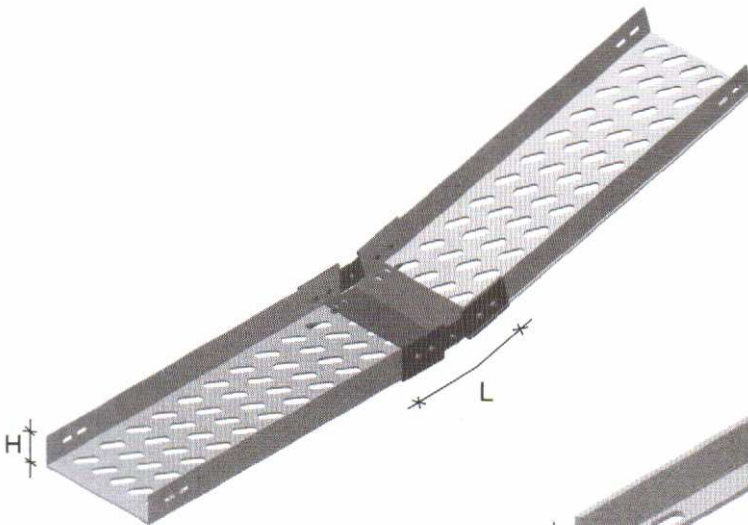
H (mm)	L (mm)	T (mm)
52	210	1.5
77	210	1.5
102	210	1.5



Reducer Plate

Part No. : PMPL 114

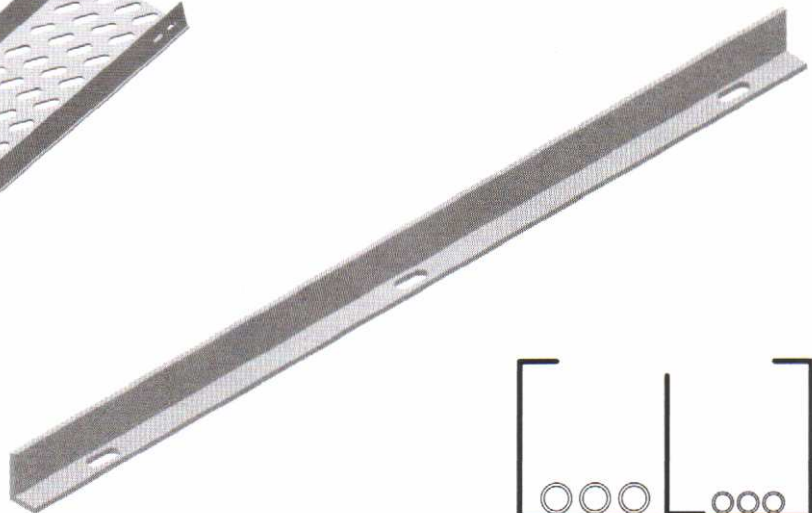
Width (mm)
100
200
300



Vertical Adjustable Joint Plate

Part No. : PMPL 115

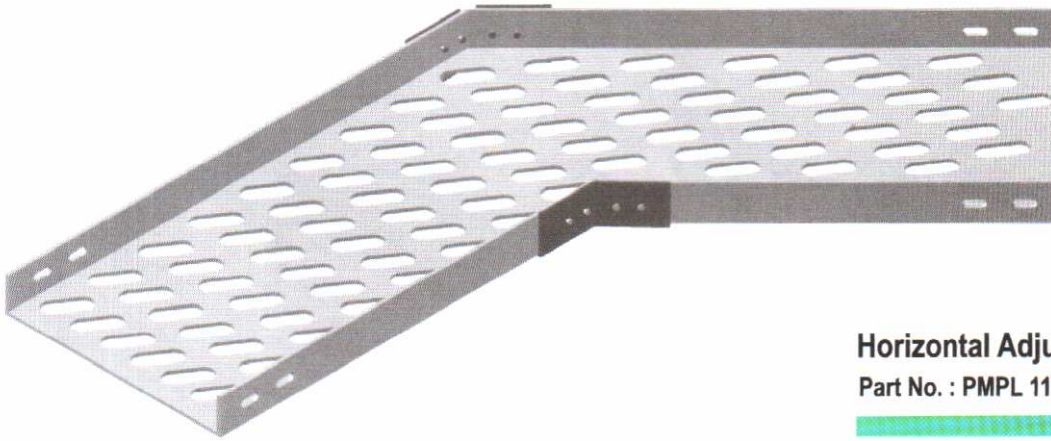
H (mm)	L (mm)	T (mm)
52	400	1.5
77	400	1.5
102	400	1.5



Partition Plate

Part No. : PMPL 116

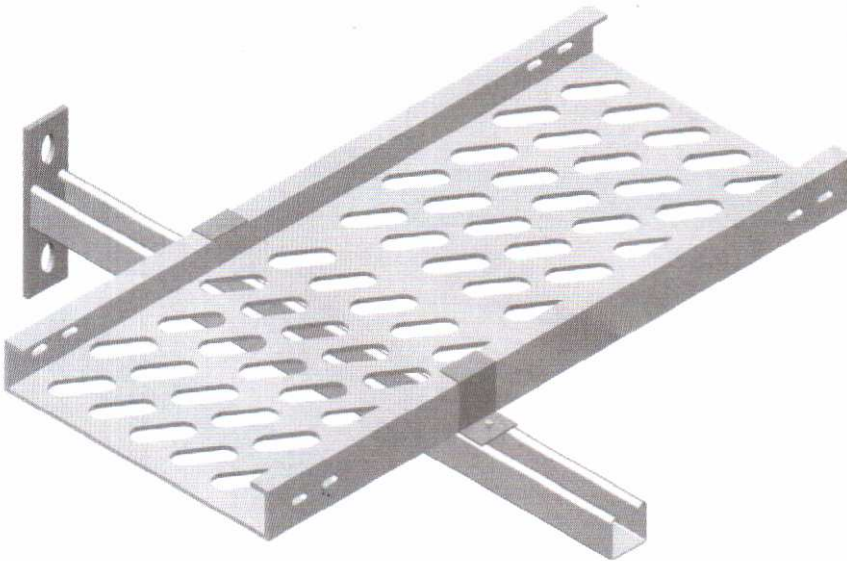
Size (mm)
25
50
75



Horizontal Adjustable Splice Plate

Part No. : PMPL 117

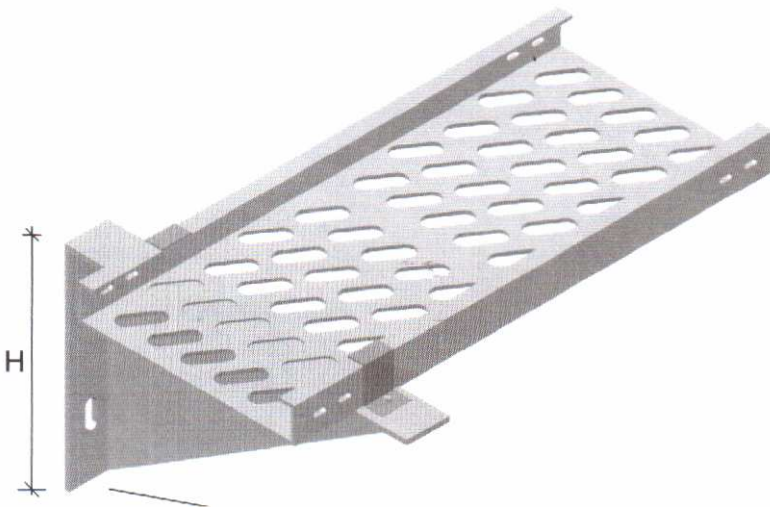
H (mm)	L (mm)	T (mm)
52	270	1.5
77	270	1.5
102	270	1.5



Hold Down Clamp -1 Set

Part No. : PMPL 118

H (mm)	T (mm)
52	1.5
77	1.5
102	1.5



Support Bracket

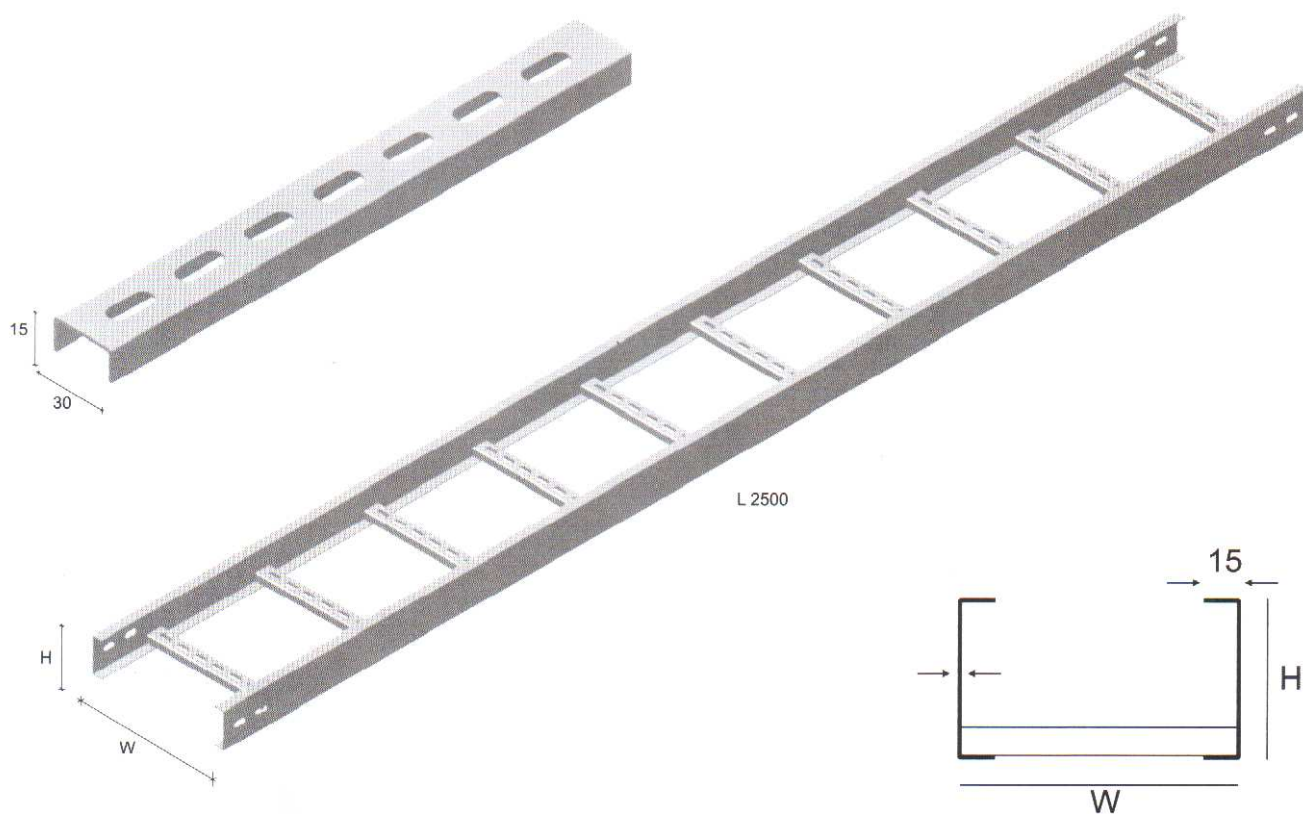
Part No. : PMPL 119

Width of Applicable Tray (mm)	Thickness (mm)	A (mm)	H (mm)
200	2.3	300	125
300	2.3	400	125
400	3.0	500	150
600	3.0	700	150
700	3.0	800	150

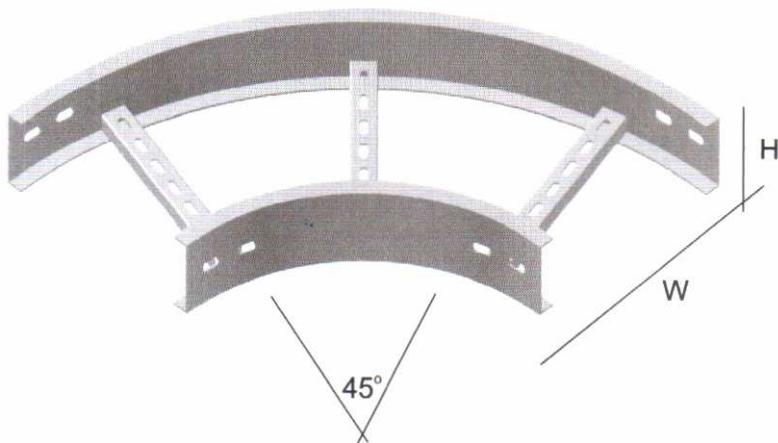
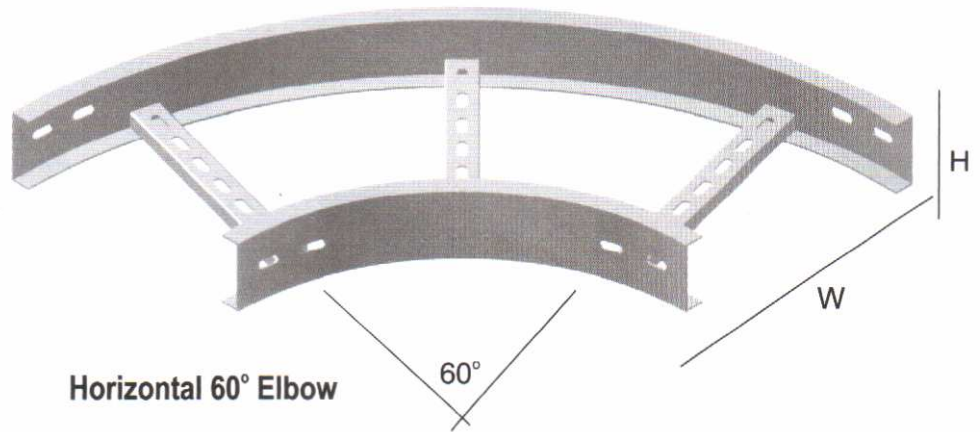
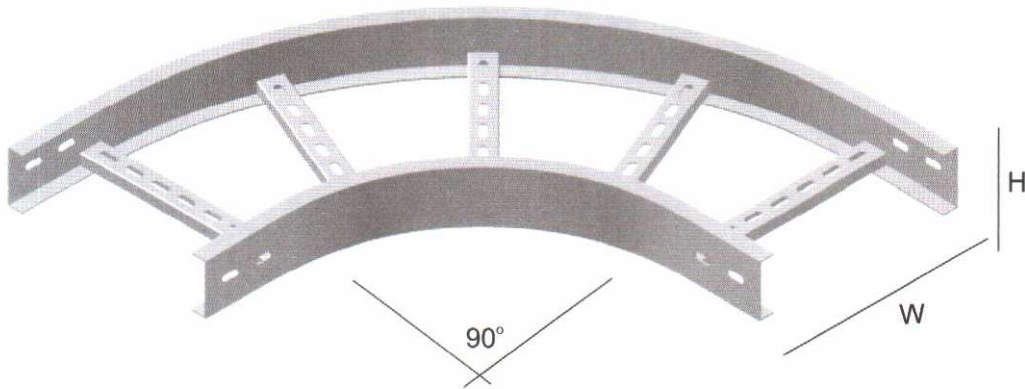


STANDARD CABLE TRAY

LADDER TYPE



W(mm)	T(mm)	H(mm)
150	2/2.5	50/75
200	2/2.5	50/75
300	2/2.5	50/75
400	2/2.5	50/75
600	2/2.5	50/75/100
750	2/2.5	50/75/100
900	2.5/3	50/75/100

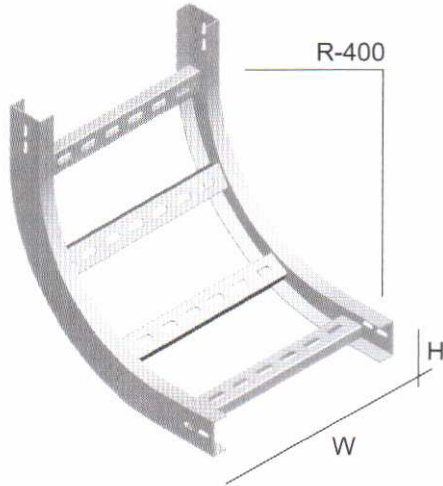


Horizontal 45° Elbow

Horizontal 90°, 60° & 45° Elbow

Part No. : PMPL 201

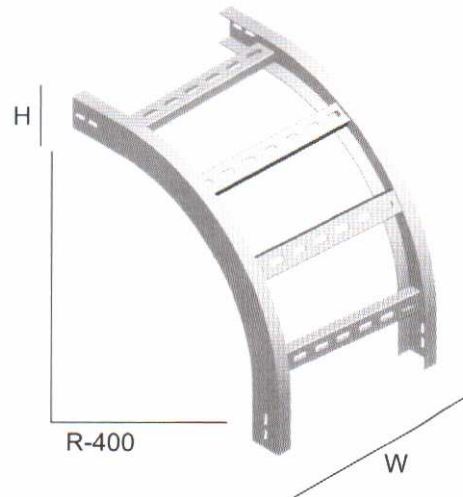
W (mm)	T (mm)
150	2/2.5
200	2/2.5
300	2/2.5
400	2/2.5
600	2/2.5
750	2/2.5



Vertical Riser (Int.)

Part No. : PMPL 202

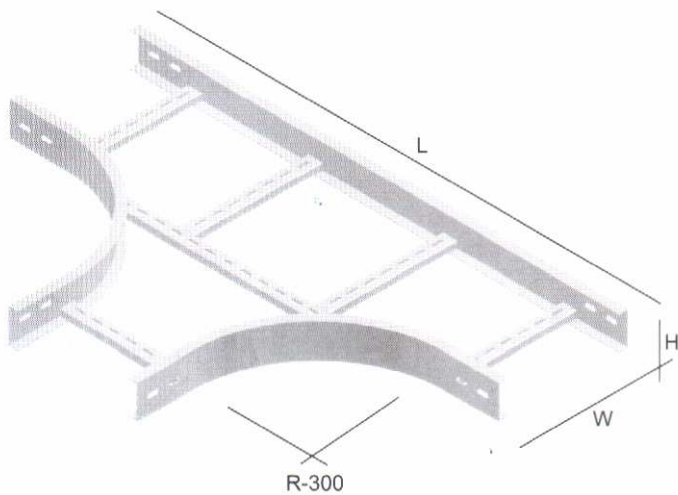
W (mm)	T (mm)
150	2/2.5
200	2/2.5
300	2/2.5
400	2/2.5
600	2/2.5
750	2/2.5
900	2.5/3



Vertical Riser (Ext.)

Part No. : PMPL 203

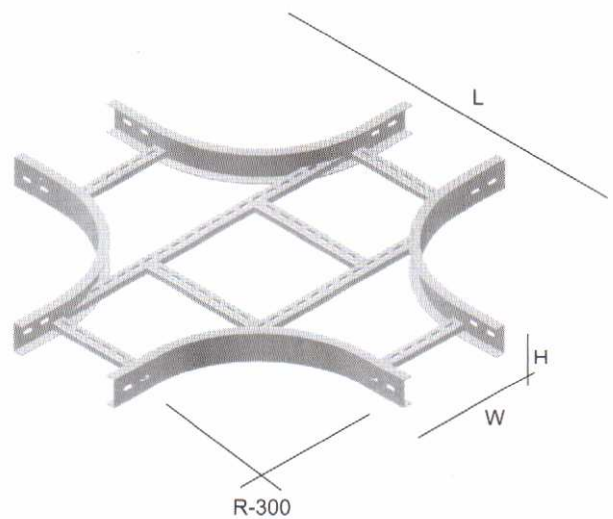
W (mm)	T (mm)
150	2/2.5
200	2/2.5
300	2/2.5
400	2/2.5
600	2/2.5
750	2/2.5
900	2.5/3



Horizontal Tee

Part No. : PMPL 204

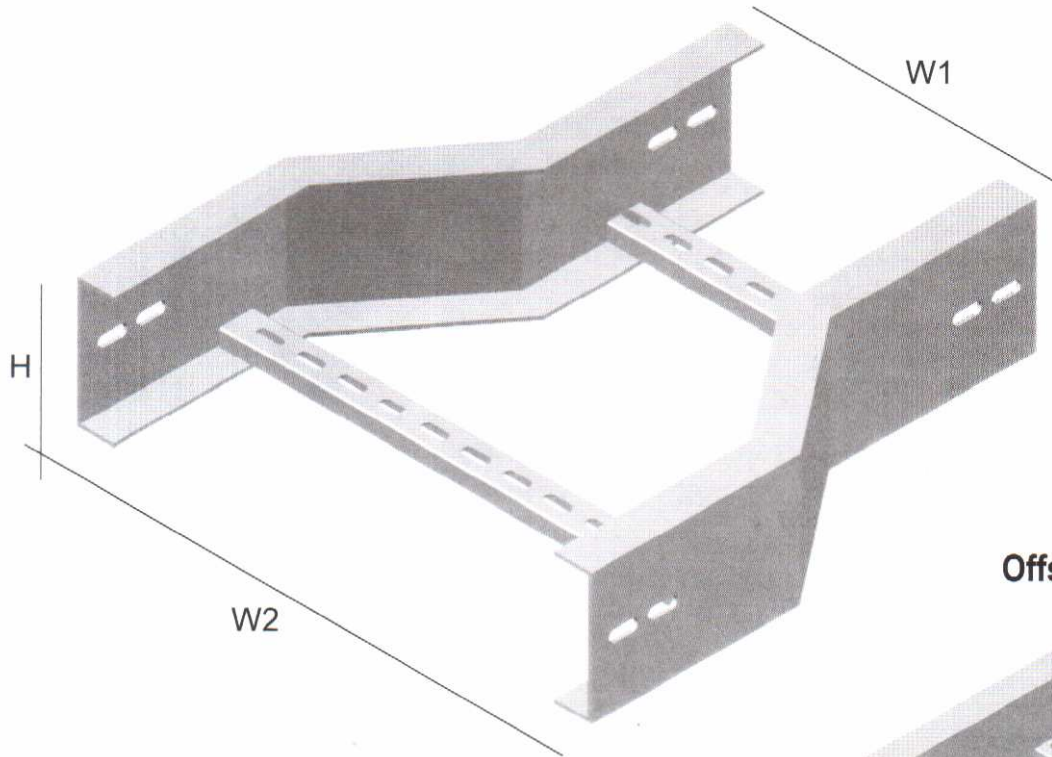
W (mm)	T (mm)	L (mm)
150	2/2.5	1050
200	2/2.5	1100
300	2/2.5	1200
400	2/2.5	1300
600	2/2.5	1500
750	2/2.5	1650
900	2.5/3	1800



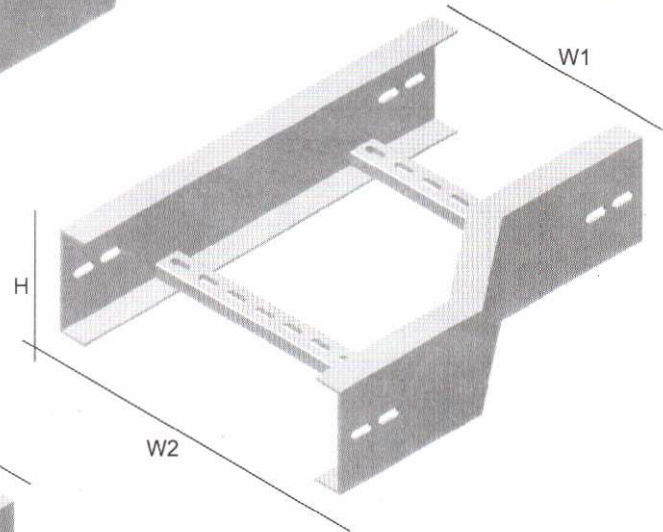
Horizontal Cross

Part No. : PMPL 205

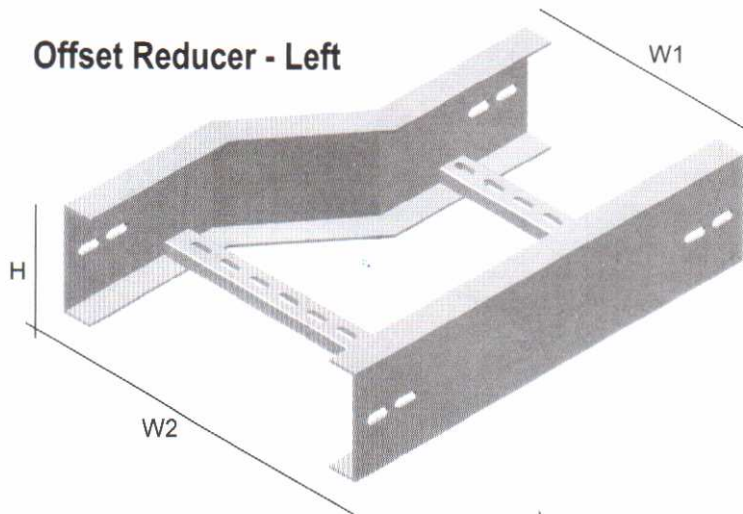
W (mm)	T (mm)	L (mm)
150	2/2.5	1050
200	2/2.5	1100
300	2/2.5	1200
400	2/2.5	1250
600	2/2.5	1500
750	2/2.5	1650
900	2.5/3	1800



Offset Reducer - Right



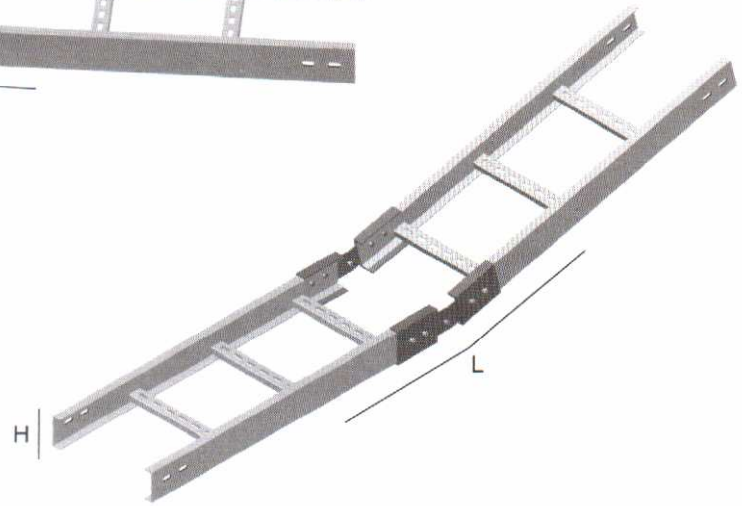
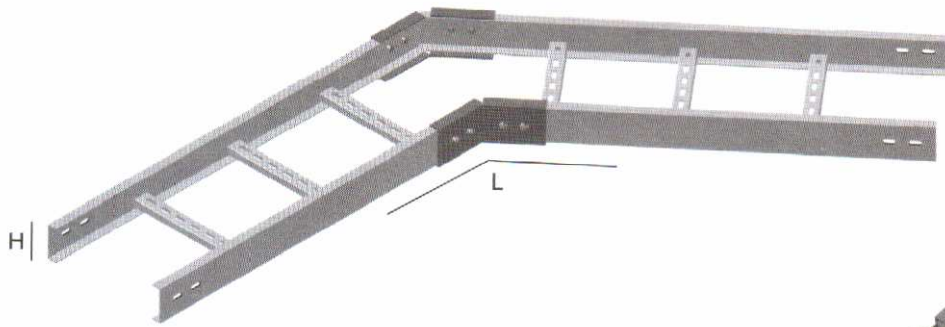
Offset Reducer - Left



Straight Reducer

Part No. : PMPL 206

W1 (mm)	W2 (mm)	T (mm)
150	200	2/2.5
200	300	2/2.5
300	400	2/2.5
400	450	2/2.5
450	500	2/2.5
500	600	2/2.5
600	700	2/2.5
750	800	2/2.5
800	900	2.5/3



Horizontal Adjustable Splice Plate

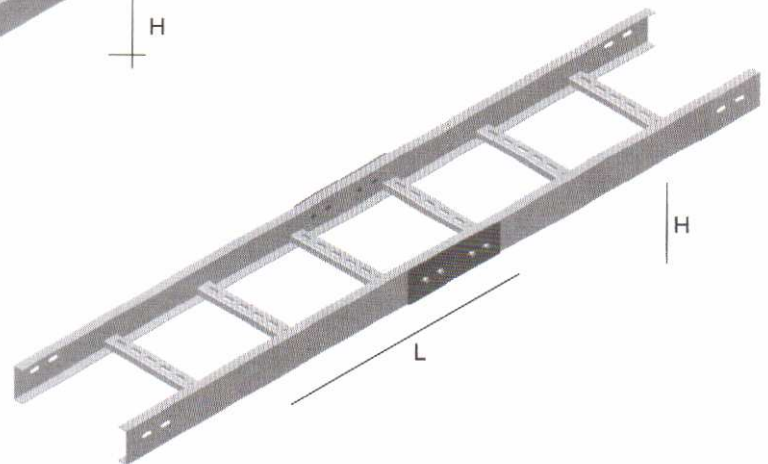
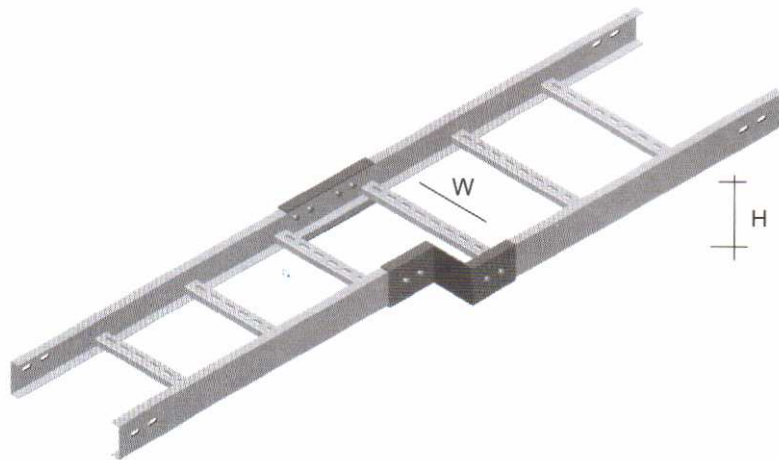
Part No. : PMPL 210

H (mm)	L (mm)
52/77/102	270

Vertical Adjustable Splice Plate

Part No. : PMPL 211

H (mm)	L (mm)
52/77/102	400



Reducer Plate

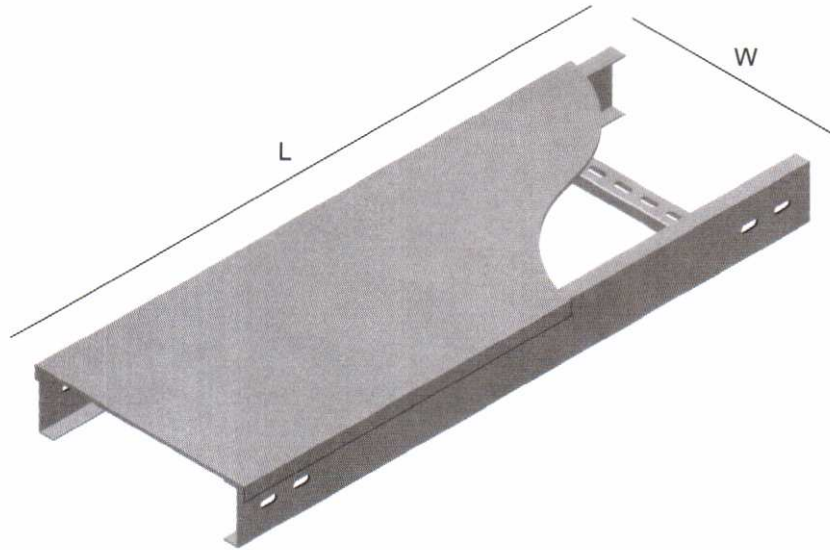
Part No. : PMPL 212

H (mm)	W (mm)
52/77/102	100
52/77/102	200
52/77/102	300

Coupler / Splice Plate

Part No. : PMPL 213

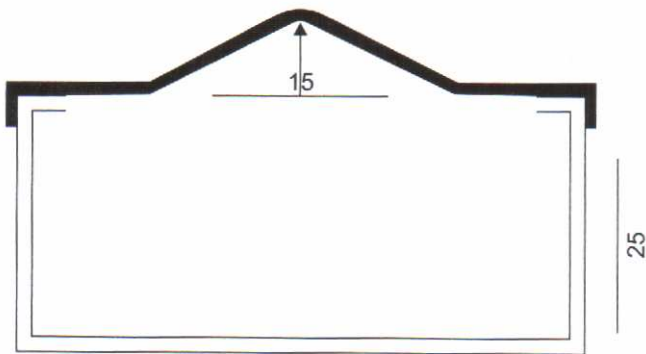
H (mm)	L (mm)
20/45/80	200/210



Cover

Part No. : PMPL 216

W(mm)	Flat Type	
	H(mm)	T(mm)
53	10	1.2/1.6
78	10	1.2/1.6
104	10	1.2/1.6
154	10	1.2/1.6
204	10	1.6/2
304	10	1.6/2
404	10	1.6/2
504	10	1.6/2
604	10	1.6/2

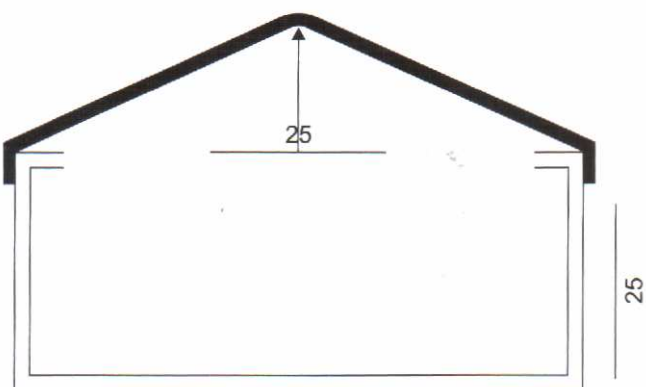


Flat & Dome Combined

Flat & Dome Combined

Part No. : PMPL 217

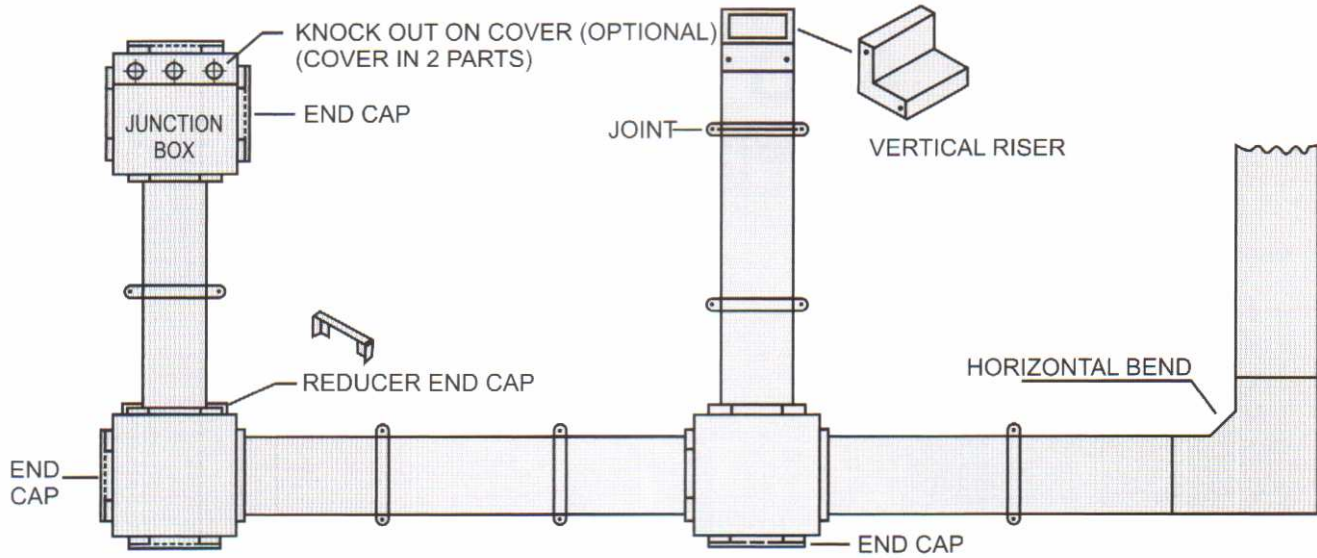
W(mm)	Flat Type	
	H(mm)	T(mm)
53	15	1.2/1.6
78	15	1.2/1.6
104	15	1.2/1.6
154	15	1.2/1.6
204	15	1.6/2
304	15	1.6/2
404	15	1.6/2
504	15	1.6/2
604	15	1.6/2



Dome Type

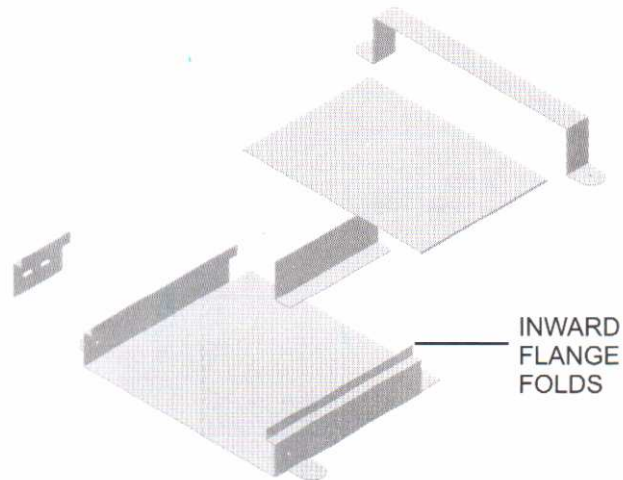
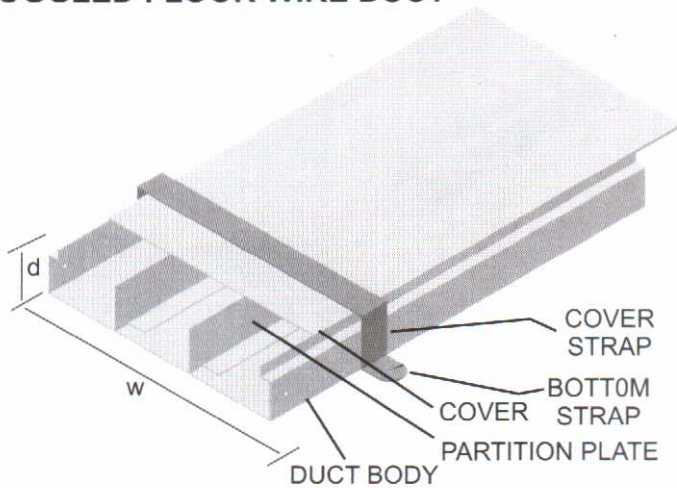
Part No. : PMPL 218

W(mm)	Flat Type	
	H(mm)	T(mm)
53	25	1.2/1.6
78	25	1.2/1.6
104	25	1.2/1.6
154	25	1.2/1.6
204	25	1.6/2
304	25	1.6/2
404	25	1.6/2
504	25	1.6/2
604	25	1.6/2



JOGGLED FLOOR WIRE DUCT

EXPLODED VIEW



Part No. : PMPL 219

MATERIALS

MILD STEEL - HR IS 1079
 MILD STEEL - CR IS 513
 PREGALVANISED IS 277
 ALUMINIUM IS 737
 STAINLESS STEEL (SS 304)

FINISH

*POWDER COATED
 *POWDER COATED
 SELF FINISH
 SELF FINISH / *POWDER COATED
 SELF FINISH

Also Available Inward Flanges Type Ref Separate Drgs.

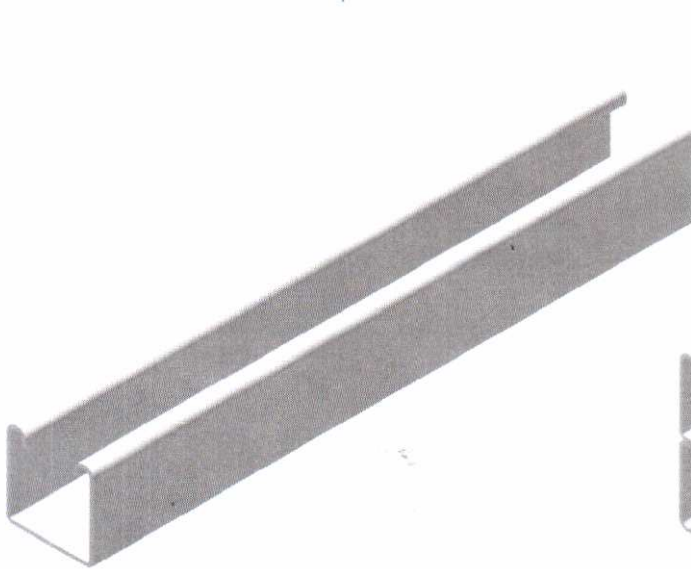
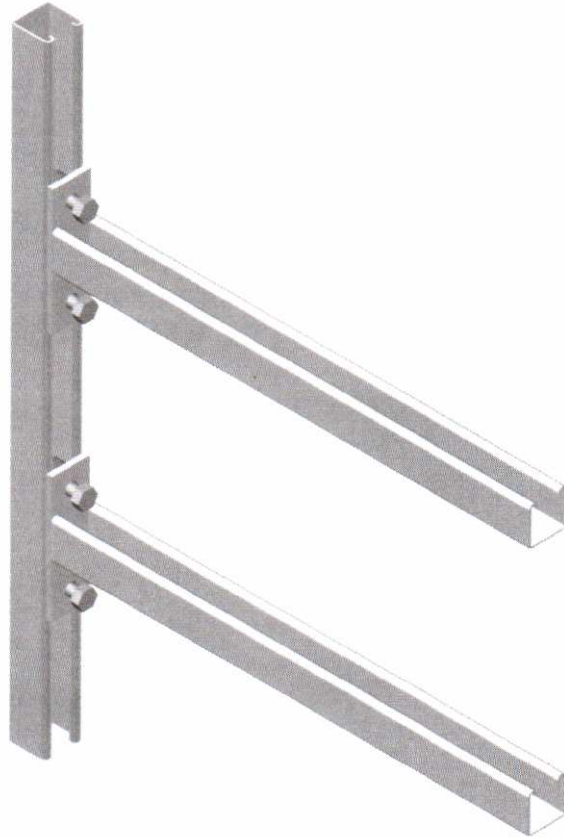
Std. Depth : 25, 35, 50 mm
 Std. Length : Generally 2.5 mtrs.
 Other Std. Length As Per Mutual Agreement

*Clour : Siemens Grey, Black, Deep Orange, White

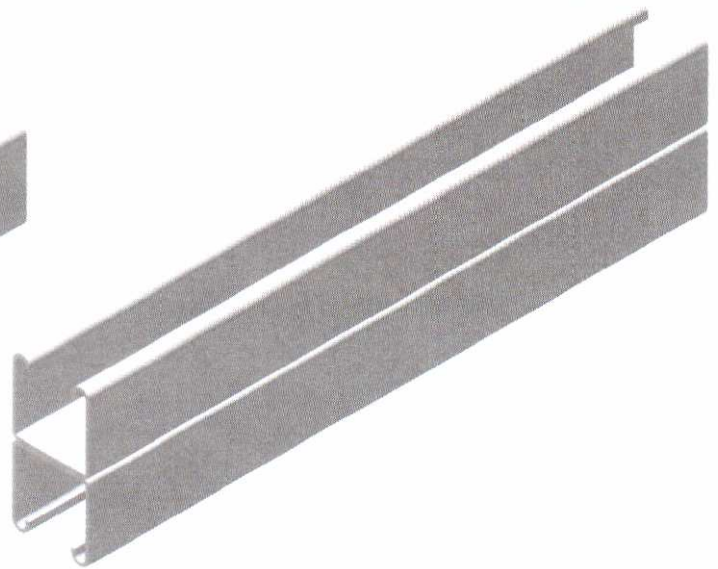
W(mm)	H(mm)	T(mm)
50	25/50/75/100/150	1.6/2
75	25/50/75/100/150	1.6/2
100	25/50/75/100/150	1.6/2
150	25/50/75/100/150	1.6/2
200	25/50/75/100/150	1.6/2
300	25/50/75/100/150	1.6/2
400	25/50/75/100/150	1.6/2
500	25/50/75/100/150	1.6/2
600	25/50/75/100/150	1.6/2



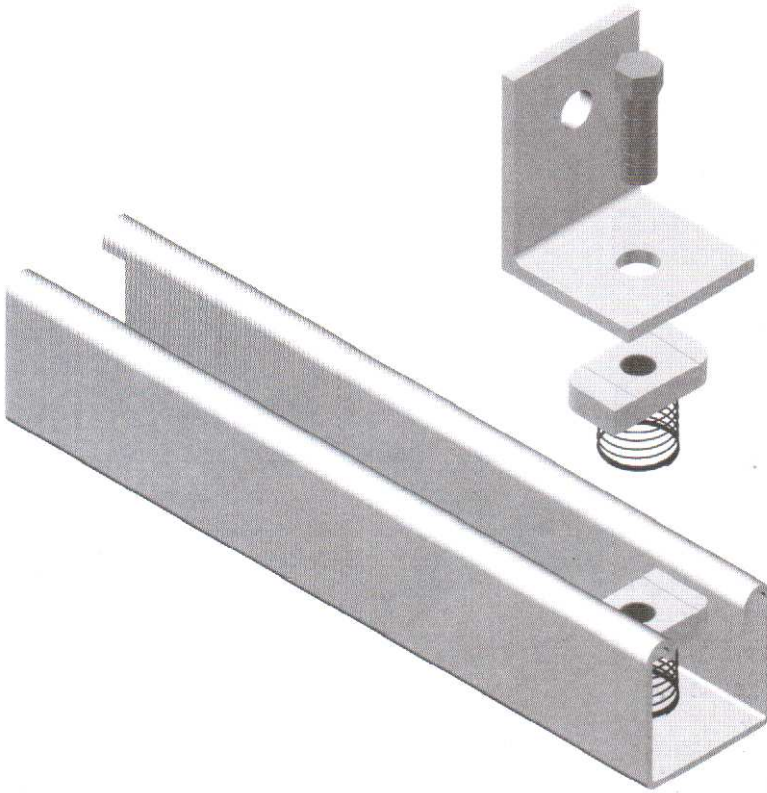
STANDARD CABLE TRAY SUPPORTING SYSTEM



C1 Chanal

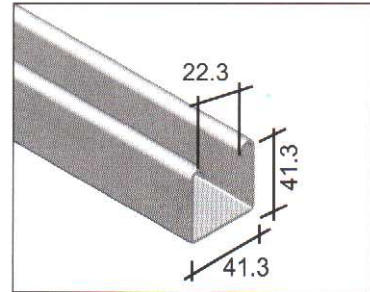


C2 Chanal



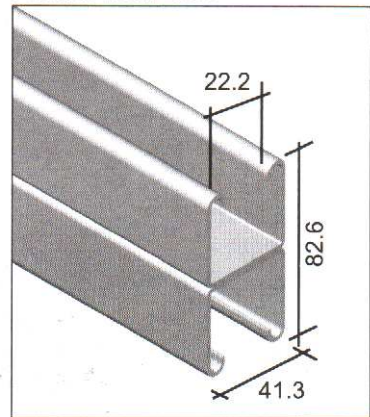
Deep/Strut Channel (C1)

Part No. : PMPL 218



Back to Back/Strut Channel (C2)

Part No. : PMPL 219



STANDARD SPECIFICATIONS

Our Channel sections are available in 3 metre or 6 metre lengths as standard. Channels are manufactured from mild steel hot-dipped galvanized or other finishes. channels are produced from steel strip with a nominal thickness of 2.5mm. The weight of the channel is 3 kg/m.

1. Framing Members

channels are accurately and carefully cold formed to size from low carbon strip steel. The channel has a continuous slot with inturned clamping ridges.

2. Fittings

The fittings, unless noted otherwise, are punch press formed from low carbon steel plates or strip.

3. Spring Nuts

Produced from steel bars and after manufacturing, are case-hardened. Two serrated grooves in the top of the nut engage the inturned edges of the channel

4. Masses and Dimensions

Masses given for all material are approximate shipping weight. All Dimensions subject to commercial tolerance variations.

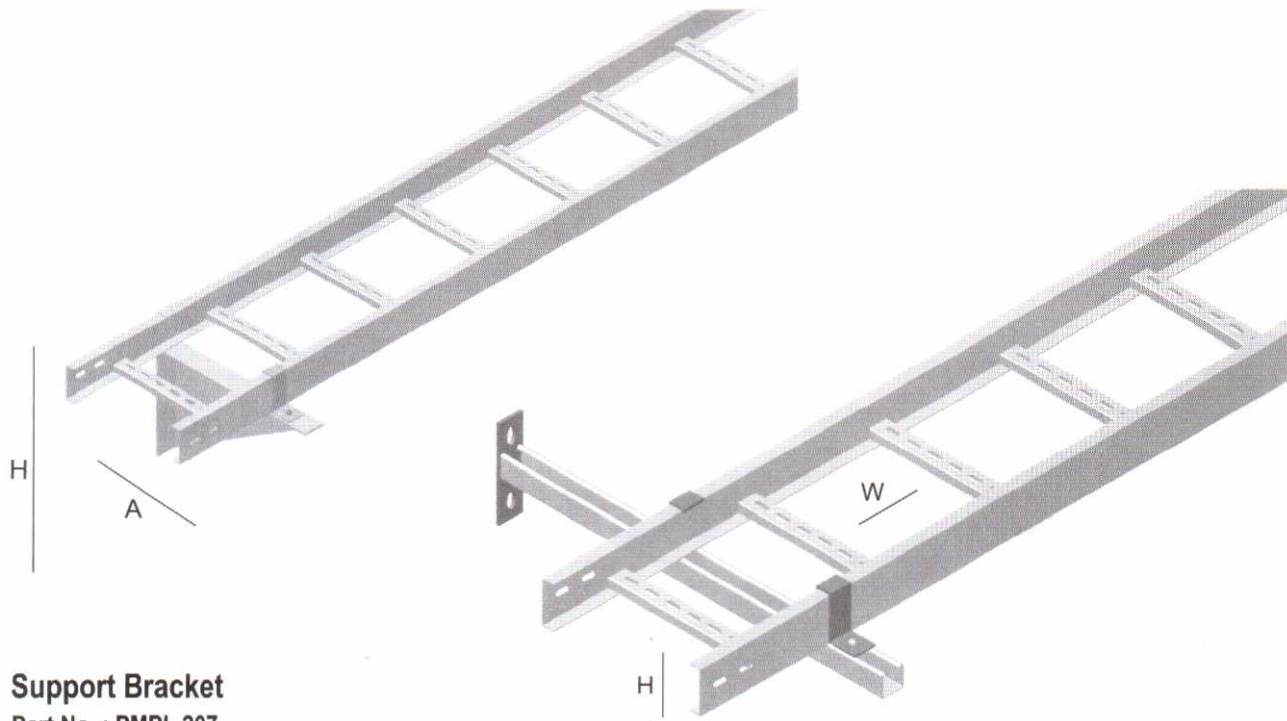
5. Finishes

Plain channel - has oiled surface straight off rolling mill.

Fittings - commercial bar stock material.

Hot-dipped galvanized - coatings are applied in accordance to BS 729 / IS - 2629.

Special coating - other commercially available finishes can be supplied on request.



Support Bracket

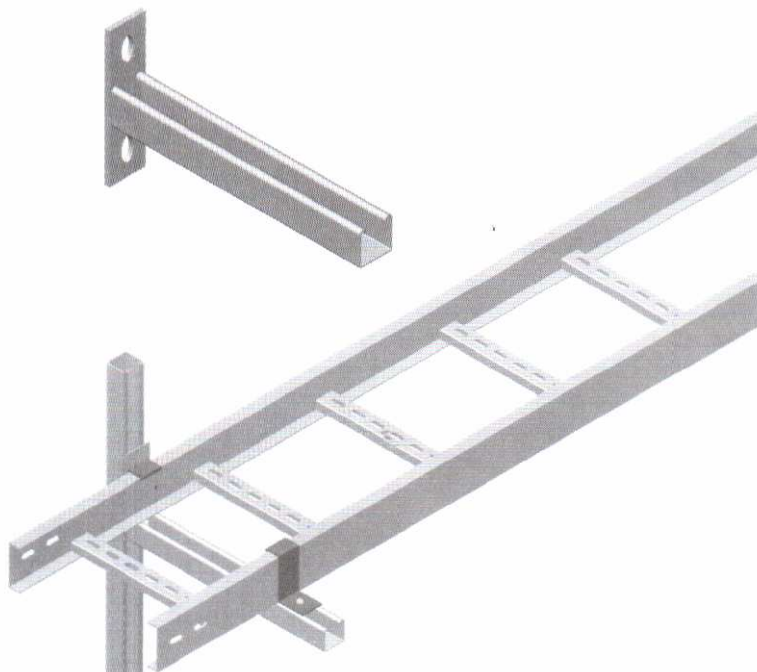
Part No. : PMPL 207

Width of Applicable Tray (mm)	Thickness (mm)	A (mm)	H (mm)
200	2.3	300	125
300	2.3	400	125
400	3.0	500	150
600	3.0	700	150
700	3.0	800	150

Hold Down Clamp

Part No. : PMPL 208

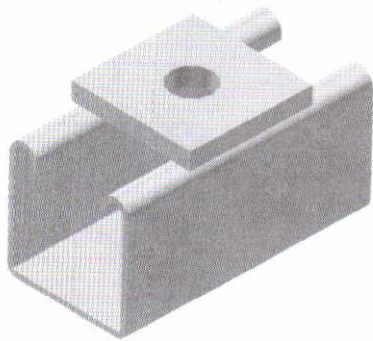
H (mm)	W (mm)
27/52/77/102	45



Cantilever Bracket

Part No. : PMPL 209

L (mm)	Width of Applicable Ladder (mm)
300	150
350	200
450	300
600	400
750	600
900	750
1050	900

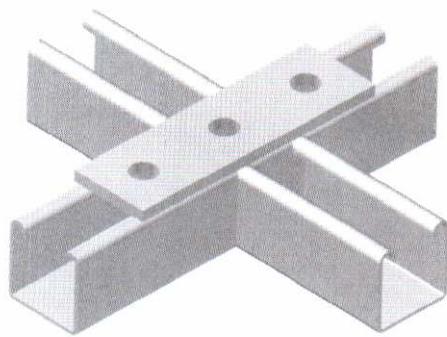
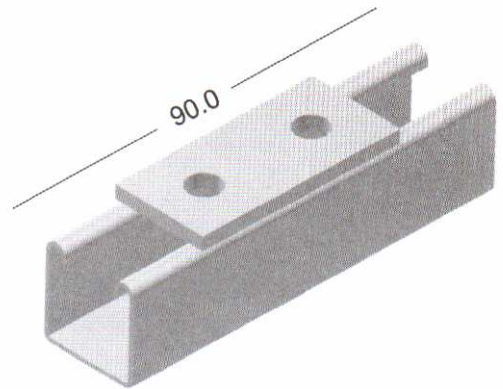


Square washer

Part No. : PMPL 406

Two hole plate

Part No. : PMPL 407

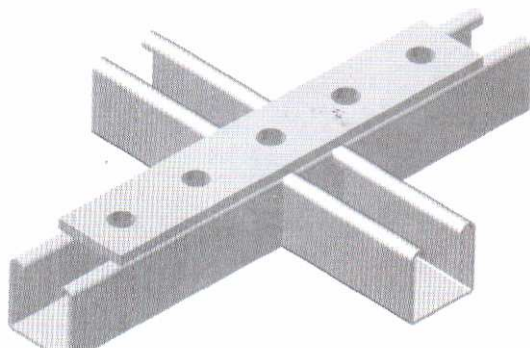
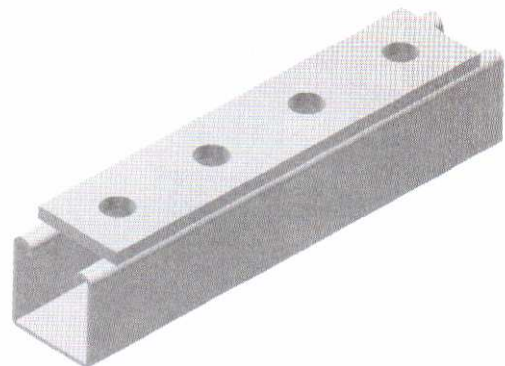


Three hole plate

Part No. : PMPL 408

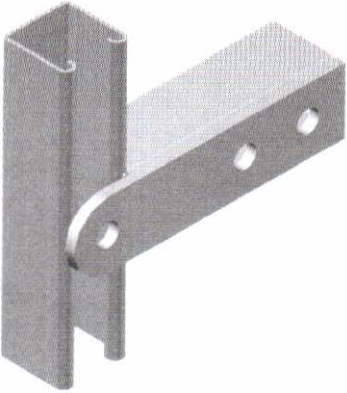
Four hole plate

Part No. : PMPL 409



Five hole plate

Part No. : PMPL 410

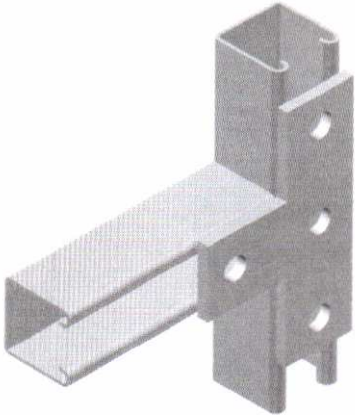
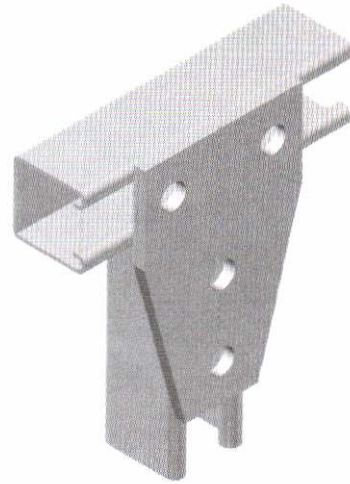


Fishplate-joiner

Part No. : PMPL 412

Three hole plate.

Part No. : PMPL 411

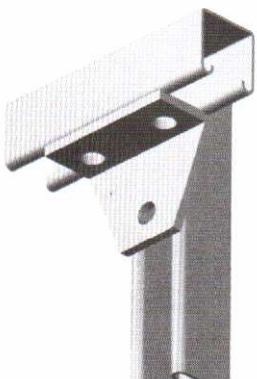
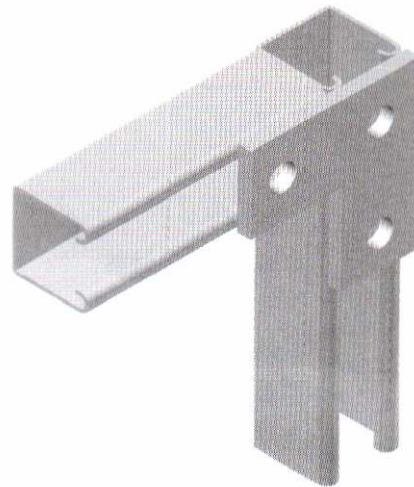


L bracket

Part No. : PMPL 414

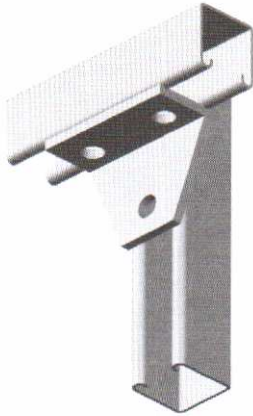
T bracket

Part No. : PMPL 413



Right angle bracket.

Part No. : PMPL 415

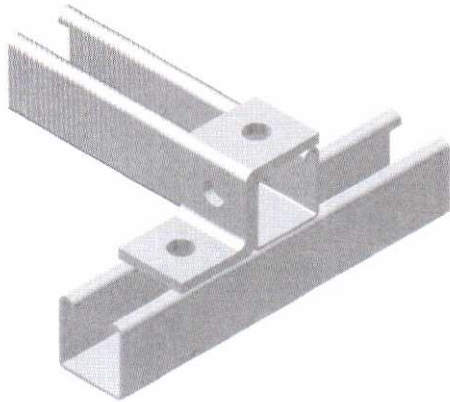
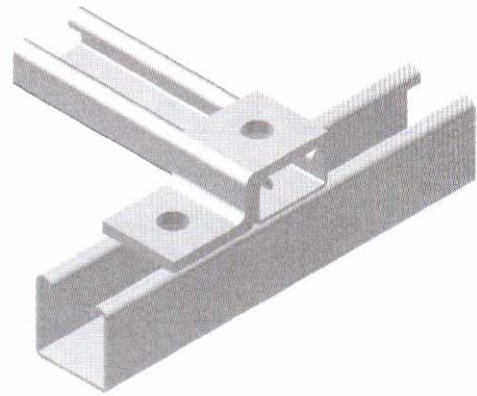


Right angle bracket..

Part No. : PMPL 416

'Z' shaped shallow bracket

Part No. : PMPL 417

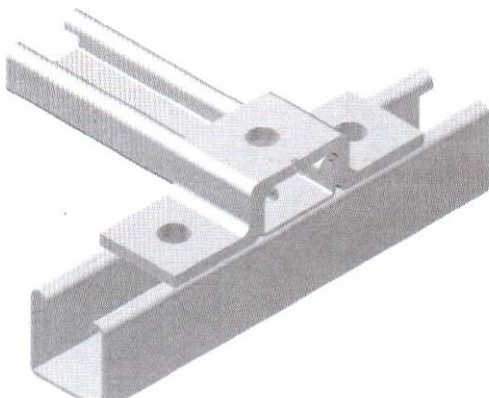
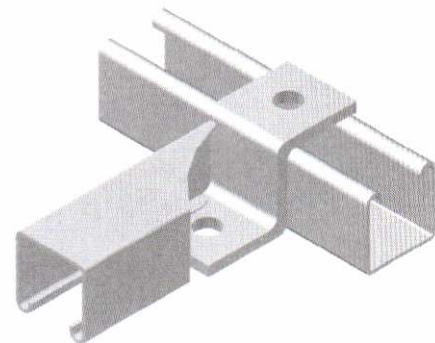


'Z' shaped deep bracket

Part No. : PMPL 418

'Z' shaped bracket

Part No. : PMPL 419



'U' shaped shallow bracket

Part No. : PMPL 420