

CRANE CONTROL EQUIPMENTS

SINCE 1988

A vital support of your Cranes



Established Since 1988

Complete In-house Testing Facilities

Approved with various Govt. agencies

Computer Aided Design.

Compatible with all other makes.

AN ISO 9001-2008 Certified Company Since 2009.



MASTER / CAM CONTROLLERS

INTRODUCTION

Master Controllers are used for remote operation of Contactors in equipment such as E.O.T. Cranes & Rolling mills drives. The Controllers are made in dust proof enclosure in IP-41 degree of protection, up to 6 notches either side with maximum 24 contacts as per desired sequence. Spring return arrangement & Dead man's handle arrangement are also available.

GENERAL :

Master Controllers are of cam type where in contacts are actuated by individual cams mounted on operated shaft.

The Shaft are cut accordingly to the type of sequence required by the customers.

For this a blank sequence diagram can be provided by us to be filled in by the customers.

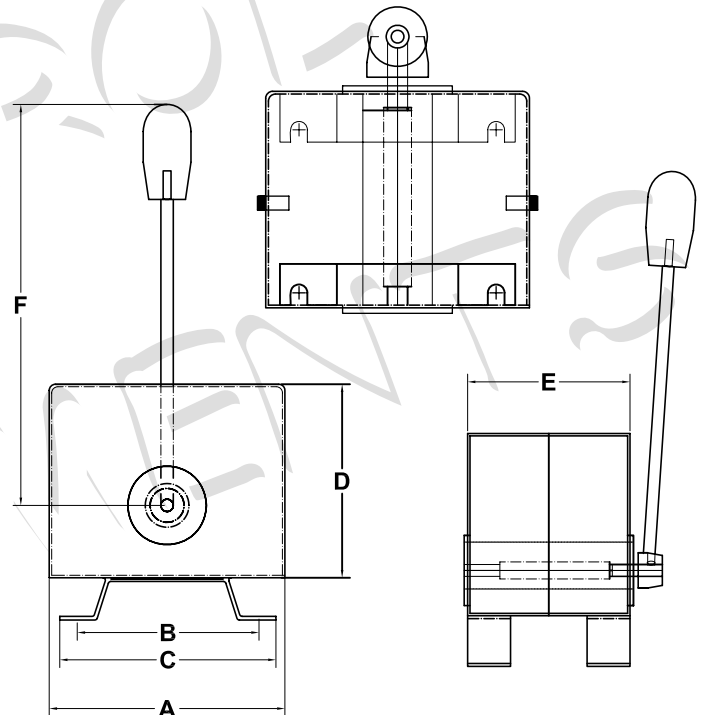
CONSTRUCTION :

Master Controller is housed in enclosure and provided with an easily removable cover with ample area for maintenance

The cam shaft is mounted on bearing bushes on walls of housing

TECHNICAL DATA :

Body Material	Sheet Steel (POWDER COATED)
Protection Dgree	IP-41
Confirming to IS	13947 (Part-1) 1993
Mounting Position	Horizontal / Vertical
Contact Material	Silver Cadmium
Rated Voltage Insulation	500 V. A.C
Thermal Test Current	10 Amps.
Cable entries	2x20Ø 2x2Ø standard conduit
Frequency of operation	1000 switching per hour
No. of contacts	24 maximum
No. of steps	6-0-6 maximum
Optional	Spring return / Deadman's Handle arrangement



A	B	C	D	E	F
FOR 1/2, 1/3, 3/5, 4/6, 4/7, 4/8					
190	127	154	155	136	250
FOR 4/10, 4/12, 5/8, 5/10, 5/12, 5/13					
190	127	154	155	198	

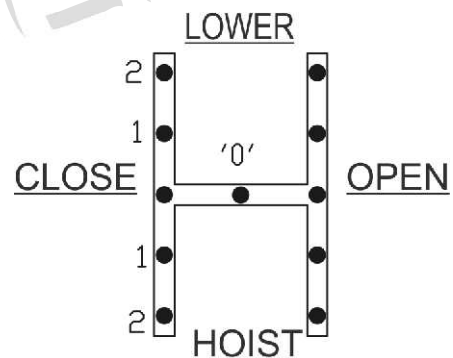
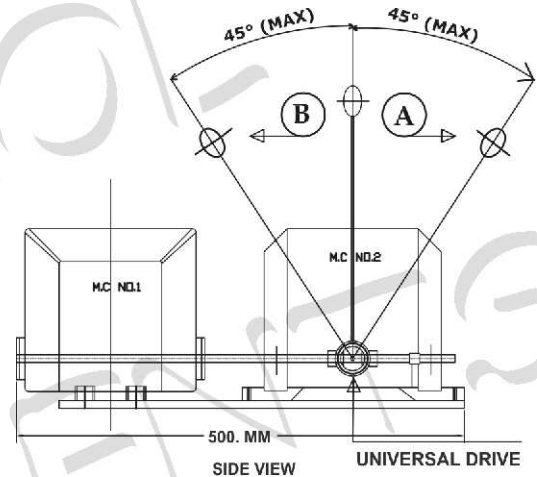
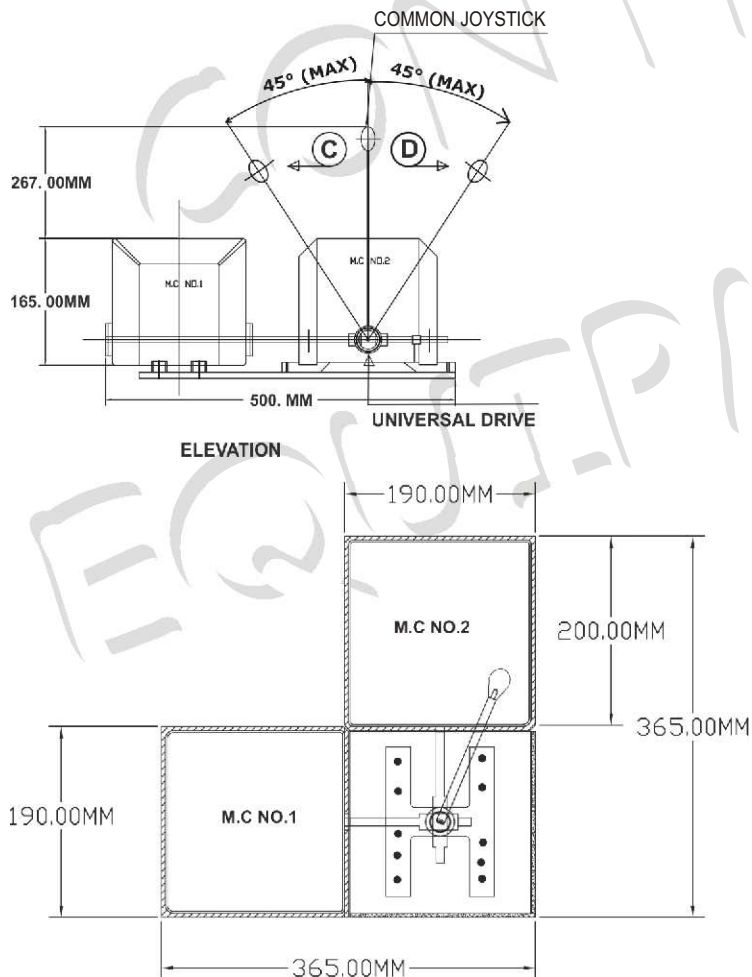
DUAL MASTER CONTROLLERS

GENERAL

Dual Master Controller with one universal handle allows a crane operator to control both Bridge & Trolley motions with one handle. Simultaneous operation of Bridge & Trolley motions provide for greater spotting accuracy and faster movement of loads. The handle of joystick can be moved into any quadrant and any position. Universal controllers are also used for hoist / grab motion. Master controllers are coupled with universal joint for operation of controller individually / jointly to get desired motion operation.

TECHNICAL DATA

Body material	MS Sheet (Powder Coated)
Protection	IP - 41
Contacts material	Silver Cadmium
Contacts	Single Bracket
Rated voltage insulation	500 Volts A.C.
Thermal test current	10 Amps.
Cable entries	1x20 , 1x26 standard conduit
No of Contacts	16 per Controller (max.)
Max. No. of notches	6-0-6 maximum



Note :

- 1) Master Controller no.1 operates in the direction -'a'&'b'2
- 2) Master Controller no.2 operates in the direction -'c'&'d'
- 3) Max. No. Of cams per controller - 16.
- 4) No. Of cable entries a) dia. 20-2 nos.zz
b) dia. 26-2 nos.zz

An Introduction about us at Crane Control Equipments.

We are a leading **ISO 9001- 2008 CERTIFIED COMPANY** established in the year **1988** manufacturing **Control Gear Equipment**, used in **EOT Cranes** , **Cane Unloaders** as well as **Grabbing Cranes** etc. which include the following.

STARTING RESISTORS

- **AUTO Matic ROTOR STARTER PANEL**

DYNAMIC BRAKING RESISTORS

- **PUNCHED GRID RESISTANCE BOXES**

MASTER CONTROLLER

- **S.S.WIRE GRID RESISTANCE BOXES**

LEVER LIMIT SWITCH

- **ELECTRO HYDRAULIC THRUSTOR BRAKES**

ROTARY LIMIT SWITCH

- **ELECTRO HYDRAULIC THRUSTORS**

CURRENT COLLECTORS

- **ELECTRO MAGNETIC BRAKES**

CABLE REELING DRUMS

- **FLEXIBLE GEARED COUPLINGS**

CABLE TROLLEYS

- **ABB make V V V F DRIVES**

We are also manufacturing Starting / Slip Resistors used for starting high capacity Slip ring Motors in industries such as Sugar Mills, Rolling Mills etc. as well as Dynamic Braking Resistors for AC Drives.

Our **USP** has been to provide excellent service to both **Crane manufacturers** as well as users and most of the Crane manufacturers are installing our products as **original equipment**.

Our products are approved in both private as well as Government organisations.

We are in fact also a regular supplier to various Electricity Boards ,Railway Workshops and other government organisations all over India and our material is also being exported out side India.

Our products are designed, based on the respective Indian Standards and hence can be interchanged with other brands provided of course if the other manufacturer has also followed the correct Indian Standards while designing and manufacturing his product. Also in our company we have an on going process of **R&D** for improving the Quality of our products.

Since we are regularly manufacturing the products at times we can even supply material at short notice there by reducing the down time of the **customer's system during maintenance or brake down.**

Supplying equipment at short notice does not mean that the equipment does not under go proper tests.

An in house testing facility and quality control department checks every product as per the relevant standards before it is despatched from our works.

In addition to the complete range of Control Gear Equipment and in keeping with our commitment to provide our customers with the best possible services, we also supply **SHROUDED BUS BAR CONDUCTORS** as well as **RADIO REMOTE CONTROLS**, so that at our factory where we have a single out let, we can provide our customer be it a Crane manufacturer or a Crane user this unique service:

“The availability of complete range of Control Gear Products under one Roof”

CRANE CONTROL EQUIPMENTS



ROTARY GEARED LIMIT



LEVER LIMIT SWITCH



COUNTER WT. LIMIT SWITCHES



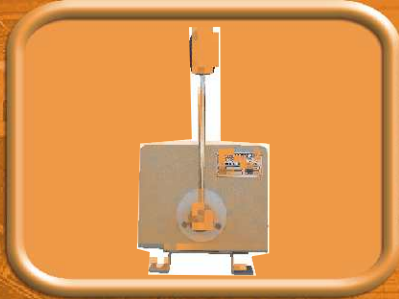
CROSS BAR LIMIT SWITCHES



WORM DRIVE LIMIT SWITCH



DIFFERENTIAL LIMIT SWITCHES



MASTER / CAM CONTROLLER



DUAL MASTER CONTROLLER



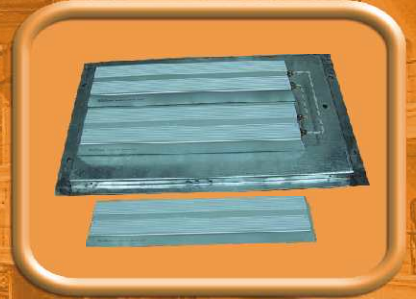
PENDANT PUSH BUTTON



RESISTANCE BOXES



DYNAMIC PUNCHED GRID TYPE



DBR MOULDED TYPE



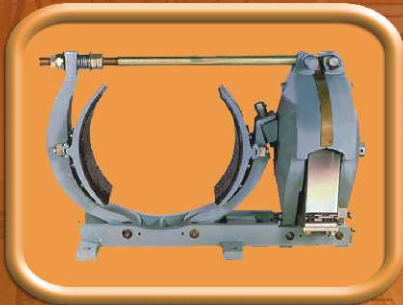
ELECTRO HYDRAULIC THRUSTER BRAKES



ELECTRO-HYDRAULIC THRUSTERS



A.C. ELECTROMAGNETIC BRAKES



D.C. ELECTRO - MAGNETIC BRAKES



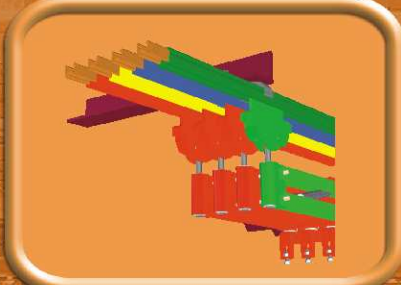
BRAKE DRUM COUPLING



FLEXIBLE GEARED COUPLING



RADIO REMOTE CONTROL



SHROUDED DSL



CURRENT COLLECTORS



DISC BRAKE



SNATCH BLOCK



RAIL CLAMPS



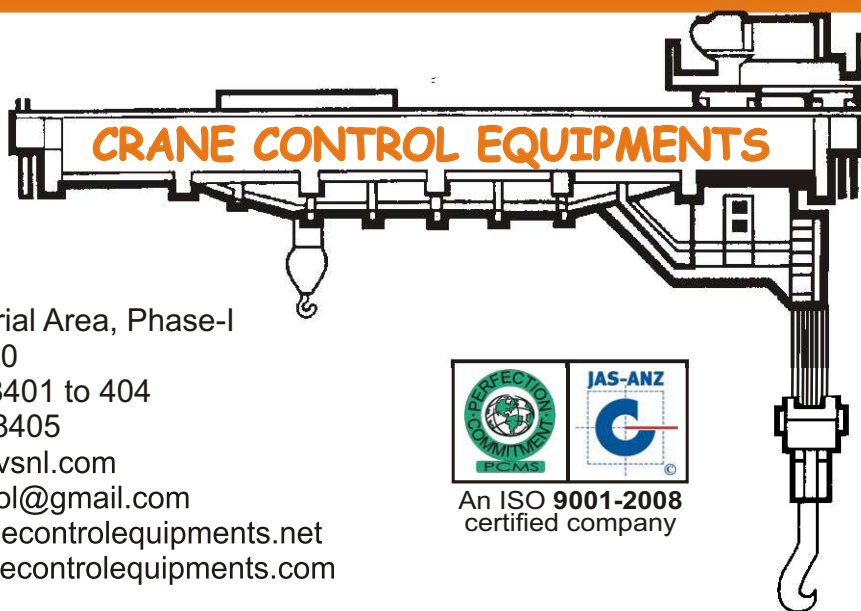
FLEXIBLE TRAILING CABLE



CABLE TROLLEYS



CABLE REELING DRUM



Works :

F-66, Okhla Industrial Area, Phase-I

New Delhi - 110 020

Ph. : +91-11-26818401 to 404

Fax : +91-11-26818405

E-Mail : ccedelhi@vsnl.com

cranecontrol@gmail.com

website : www.craneconrolequipments.net

www.craneconrolequipments.com



An ISO 9001-2008 certified company