

Limit switches

FCR - FGR Series

Table of contents



TECHNO-LIFTING EQUIPMENT



Rotary control switches with 300 mm rods from 3 up to 5 positions.
Control switches with rotary gear from 12 up to 200 rpm with 4 or 6 micro switches.

Table of contents

FCR Series rotary limit switches
for control circuits

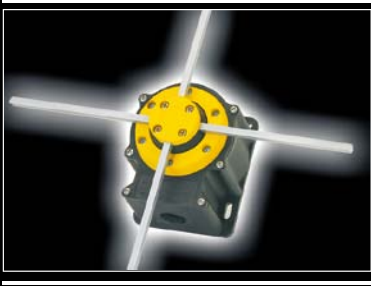
pag. 34



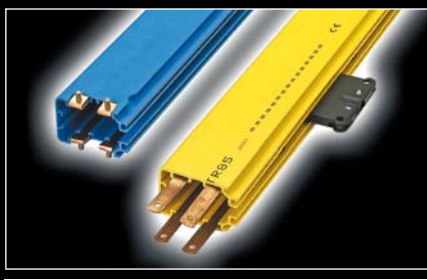
FGR Series rotary gear limit switch
for control circuit

pag. 36

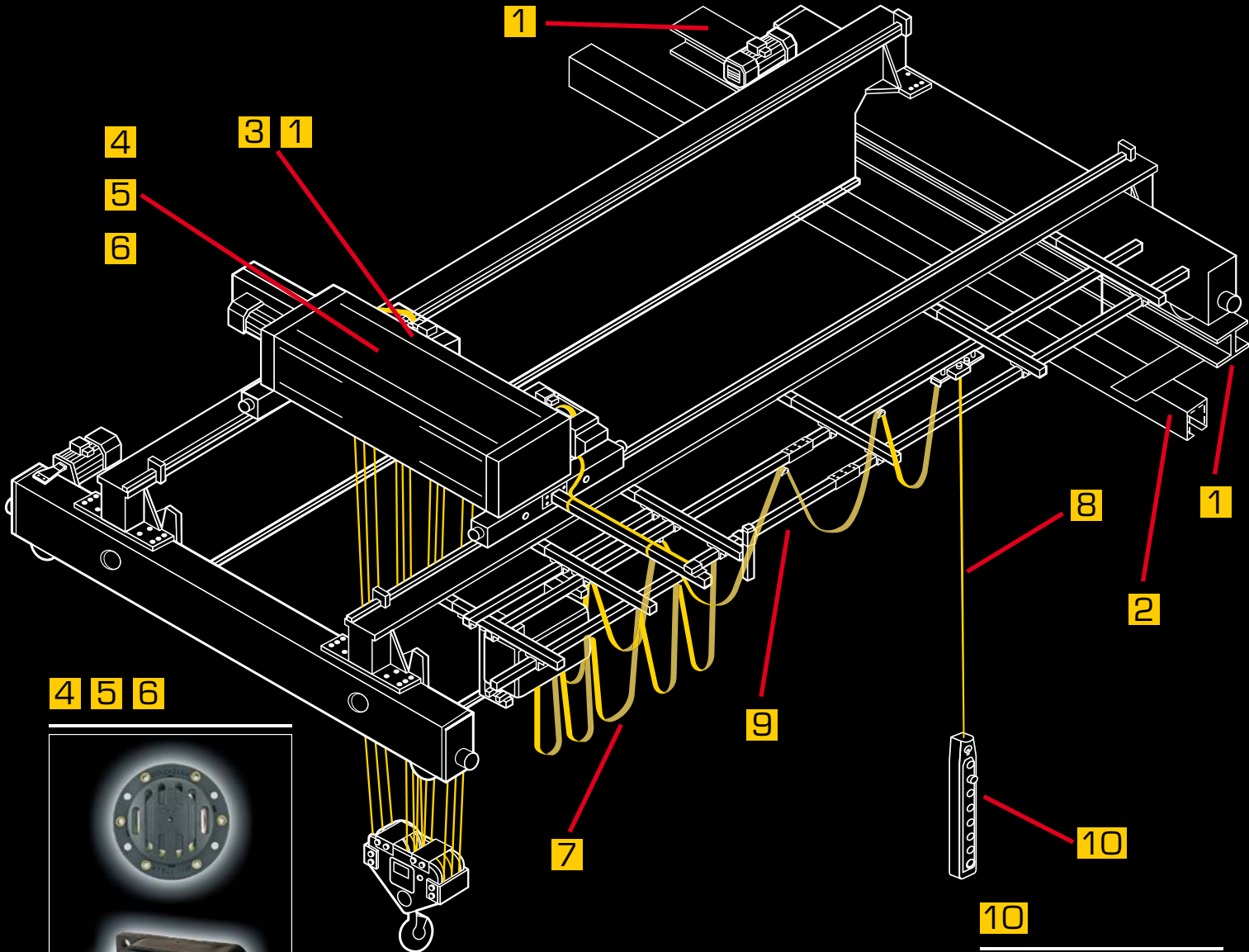
1



2



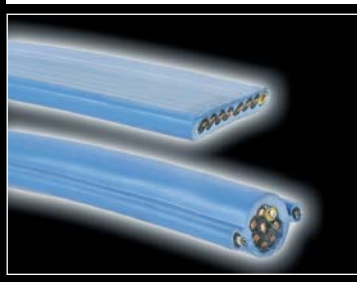
3



4 5 6



7 8



9



10



Rotary limit switches





FCR Series for control circuits

IP65 

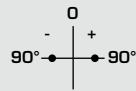
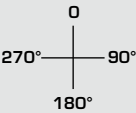
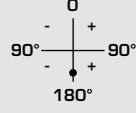
GENERAL CHARACTERISTICS

- According to IEC/EN 60947-3
- Self extinguishing thermoplastic housing VO UL 94
- IP65 Double insulation IEC/EN60529
- Prepared with aluminum rods $\square 6 \times 300$ mm with indicator position "0"
- n°1 Cable entry $\varnothing 22,5$
- Ambient temperature : operating $-25^{\circ} +55^{\circ}$ C
storage $-30^{\circ} +70^{\circ}$ C

ELECTRICAL CHARACTERISTICS


- According to IEC/EN60947-3, UL508
- Certifications:    
- Rated insulation voltage U_i 690V
- Rated thermal current I_{the} 16A
- Frequency 50/60 Hz
- Rated thermal current: AC-21A - AC-22A 690V-16A
AC23A - 3x3 230V-13A/4kW
400V-13A/7,5kW
- Rated short circuit withstand current (gG 20A-690V) 5kA



POSITION	DESCRIPTION	CODE	N° DIAGRAM
FOR SINGLE SPEED MOTOR CONTROL			
	3 Positions with mechanical interlock	FCR001	1
	3 Positions with mechanical interlock	FCR002	2
	4 Positions - Rotary	FCR003	3
	4 Positions - Rotary	FCR004	4
	4 Positions - Rotary	FCR005	5
FOR TWO SPEEDS MOTOR CONTROL			
	5 Positions with mechanical interlock	FCR006	6

Rotary limit switches

FCR Series for control circuits

IP65 



TECHNO-LIFTING EQUIPMENT

SCHEMS

DIAGRAM 1

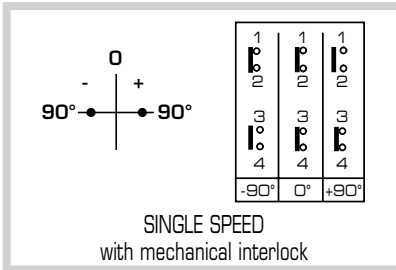


DIAGRAM 2

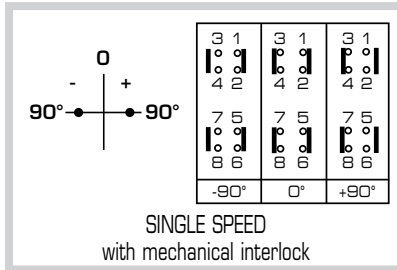


DIAGRAM 3

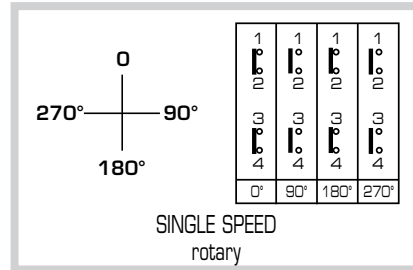


DIAGRAM 4

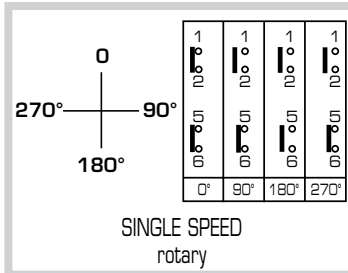


DIAGRAM 5

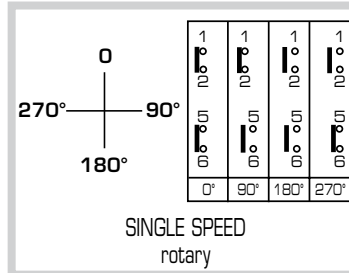
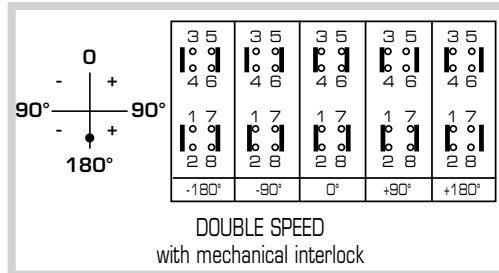
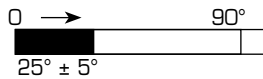


DIAGRAM 6

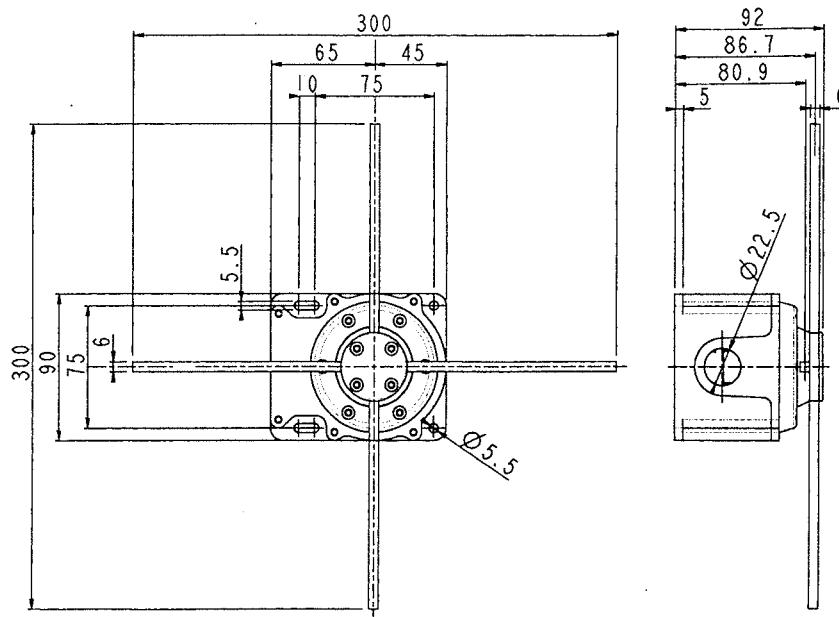
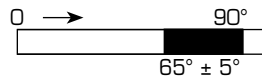


ANGULAR TRIPPING CONTACTS

CONTACT BLOCK NORMAL CLOSED



CONTACT BLOCK NORMAL OPEN





GIOVENZANA INTERNATIONAL B.V.

WTC - Strawinskylaan 1105, 1077 XX Amsterdam, The Netherlands
Ph. +31(0)20.4413576 - Fax +31(0)20.4413456

G.M.K. K.f.t. - 1068 Budapest - Hungary - Rippl Ronai ut.13
Ph. +36.37.572575 - Fax +36.37.572570 - e-mail: gmk@giovenzana.com

BRANCH

DUBAI U.A.E. P.o. Box 262146 - J.A.F.Z.A.

Ph. +971.4.8870788 - Fax +971.4.8870787

MOSCOW Russian Federation - Lihov pereulok 8, kb 10

Ph. +7.495.6991296 - +7.495.6996444 - Fax +7.495.6505254

www.giovenzana.com