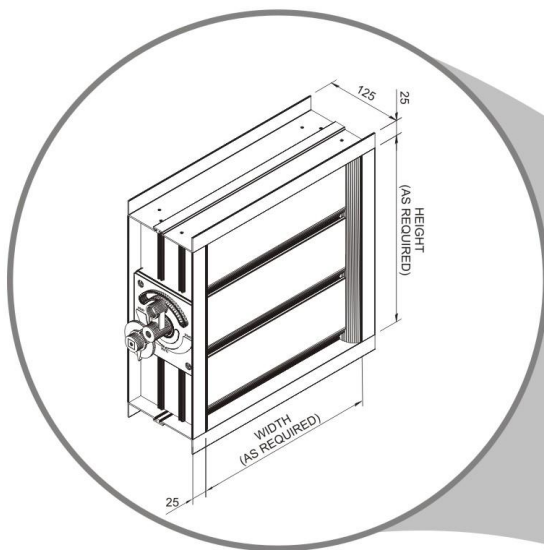


VOLUME CONTROL DAMPER
Article : PP/ET/18
MOC : Aluminum (IS:733:1983)



Special Features

- Frame work and damper blades in superior finishing, anodized aluminum construction
- Damper blades in aerofoil design, double wall construction, provided with special design gaskets
- Concealed gear train in high grade engineering plastic construction
- Suitable for manual and motorised operation
- Manufactured through high precision machines for precise dimensions and smooth operation