



JHALAWAD GROUP

The Sign Of Excellence

PRODUCT CATALOGUE

- Tools for HMC,VMC & SPM
- Cutting Tools Machine Tools
- Machine Tool Accessories
- Measuring Instruments
- Geometrical Instruments
- Pneumatic Tools
- Hand Tools
- Power Tools & Accessories

Shalabh Agencies
Shubham Marketing

"We are dedicated to delivering excellence in industrial supply by offering a comprehensive range of top-notch, high-performance products. Our commitment extends to providing exceptional services and personalized solutions tailored to meet your specific requirements."



TURNING



INSERTS



MILLING



SOLID END MILLS



SECO 

THREADING



TOOLING SYSTEMS



HOLEMAKING



SECO-CAPTO™



AUTHORIZED DISTRIBUTOR

Shubham Marketing

📍 Shop No C 3, Block No. 20, New Siyaganj, Indore - 452007 M.P. India

☎ +91-0731-253-0827, 254-8837, 405-4937 📞 +91-99772-02588

✉ info@jhalawadgroup.com 🌐 www.jhalawadgroup.com



JHALAWAD GROUP
The Sign Of Excellence



HSS DRILLS



HSS REAMERS



HSS END MILLS



HSS TAPS



HSS CUTTERS



HSS TOOLS BITS



SOLID CARBIDE TOOLS



CARBIDE TIPPED TOOLS

TOOL GRINDING MACHINE



AUTHORIZED DISTRIBUTOR



Shalabh Agencies

Shop No. C-3, Block No. 20, New Siyaganj, Indore-452007 (M.P.) India
(0731) 253 0827, 254 8837, 351 1827 +91 99772 02588
info@jhalawadgroup.com www.jhalawadgroup.com

Scan For
Whatsapp Chat





HSS, CS, HSS-E TAPS -

Hand Taps, Spirex Taps, SPPT Taps,
LS Machine Taps, Forming Taps,

Size Range -

M2 -M68 (Std & Fine Pitch) 1/8"-3"
In BSW, BSF, BSP, BSPT, UNF, UNC, NPT, BA.

HSS, CS ROUND SPLIT DIE

Size Range -

M2 -M68 (Std & Fine Pitch)
1/8"-3" In BSW, BSF, BSP, BSPT, UNF, UNC, NPT, BA.



CARBIDE & HSS ROTARY BURR

Size Range -

3 MM - 16 MM

Shank Size -

3, 6, 8 MM

Shape -

Cylindrical, Ball, Oval, Conical, Tree,
Flame, Inverted Cone, Rim.

AUTHORIZED DEALER

Shalabh Agencies

📍 Shop No C 3, Block No. 20, New Siyaganj, Indore - 452007 M.P. India

☎ +91-0731-253-0827, 254-8837, 405-4937 📞 +91-99772-02588

✉ info@jhalawadgroup.com 🌐 www.jhalawadgroup.com



Bradma

INTERCHANGEABLE STEEL TYPES PUNCH

MARKING SIZE :
1mm To 16mm
1/16" To 3/8"



HAND HELD PUNCH

MARKING SIZE :
2mm To 25mm

Available As
Loose, Set,
Dotted, Reverse.



AUTOMATIC/ STANDARD
ROTARY NUMERATOR



CUSTOM MADE
STAMP MARK



STANDALONE
IMPACT PRESS



METAL LABEL
MARKER



MANUALLY OPERATED
ROLL MARKING



PNEUMATIC/HYDRAULIC
OPERATED ROLL MARKING

AUTHORIZED DEALER

Shalabh Agencies

📍 Shop No C 3, Block No. 20, New Siyaganj, Indore - 452007 M.P. India

☎ +91-0731-253-0827, 254-8837, 405-4937 📞 +91-99772-02588

✉ info@jhalawadgroup.com 🌐 www.jhalawadgroup.com



JHALAWAD GROUP
The Sign Of Excellence



FILES



Machinist Saw, RASP
Size:- 100mm to 350mm

Needle & Diamond Files
Size: 140mm & 160mm

(Flat, Hand, Half Round, Round, Square, Triangular)

Special Files.



DRILLS



HSS PS Stub & Jobber
HSS PS LS / Extra Long
HSS Taper Shank / LS / Ext. Long
Rolled Forged PS / TS
HSS Centre Drill
Masonry



HSS TOOL BITS



Size : 3/16" to 1"

Length : 3" to 8"

Grade : KT-0, KT-5, KT-8, KT-10



AUTHORIZED DEALER

Shalabh Agencies

📍 Shop No C 3, Block No. 20, New Siyaganj, Indore - 452007 M.P. India

☎ +91-0731-253-0827, 254-8837, 405-4937 📞 +91-99772-02588

✉ info@jhalawadgroup.com 🌐 www.jhalawadgroup.com





POWER TOOLS

HAND TOOLS



POWER TOOLS ACCESSORIES

AUTHORIZED DISTRIBUTOR



Shalabh Agencies

📍 Shop No. C-3, Block No. 20, New Siyaganj, Indore-452007 (M.P.) India
☎ (0731) 253 0827, 254 8837, 351 1827 📞 +91 99772 02588
✉ info@jhalawadgroup.com 🌐 www.jhalawadgroup.com

Scan For
Whatsapp Chat



@Jhalawadgroup



KTA SPINDLE TOOLINGS



Precision Tool Holders

- Collet Chuck
- Weldon Type End Mill Holder
- Face Mill Holder
- Combi Shell Mill Adaptor (CSMA)
- Morse Taper Adaptor (MTA)
- Reduction Sleeve
- Boring Bar Blank
- Arbor
- NC Drill Chuck (NCDC)
- Master Mandrell
- Die & Mould Chuck (DMC)
- Power Milling Chuck (PMC)
- Milling Cutter Arbor (MCA)
- Shrink Fit Holder (SFH)
- Hydraulic Expansion Chuck (HC)
- (MLC)Tapping Chuck

Tapping Attachment

- Quick Change Tapping Chuck (KWFLK)
- Quick Change Tap Adaptor

Accessories

- Collet ER, Tap ER-G, DMC, (ERT)
- ER Nuts & Spanners
- Reduction Sleeve
- ER Sealing Disc & Sealed Nuts
- Coolant Tube For HSK-A
- Sealing Plug For HSK-A
- Heat Shrink Machine
- Keyless Drill Chuck (DIN 228 B)
- Pull Studs BT / ISO / MAZAK / SK

AVAILABLE IN

- ◆ BT (MAS 403)
- ◆ SK(DIN 69871)
- ◆ HSK-A (DIN 69893-1)
- ◆ CAT (ANSI B 5.50)
- ◆ ISO (DIN 2080)
- ◆ HSK-F (DIN 69893-1)

AUTHORIZED DISTRIBUTOR



JHALAWAD GROUP
The Sign Of Excellence

Shalabh Agencies

📍 Shop No C 3, Block No. 20, New Siyaganj, Indore - 452007 M.P. India

☎ +91-0731-253-0827, 254-8837, 405-4937 📞 +91-99772-02588

✉ info@jhalawadgroup.com 🌐 www.jhalawadgroup.com



STEEL-SMITH®

Toggle Clamps & Clamping Solutions



TOGGLE CLAMPS



LATCHES



SWING CLAMPS



AUTOMOTIVE CLAMPS



PNEUMATIC TOGGLE CLAMPS



ADDITIONAL LOCKING MECHANISM

AUTHORIZED DISTRIBUTOR

Shalabh Agencies

📍 Shop No C 3, Block No. 20, New Siyaganj, Indore - 452007 M.P. India

☎ +91-0731-253-0827, 254-8837, 405-4937 📞 +91-99772-02588

✉ info@jhalawadgroup.com 🌐 www.jhalawadgroup.com



JHALAWAD GROUP
The Sign Of Excellence



- ↪ Hook Clamps And Hook Clamp Assemblies
- ↪ Cam Clamps, Toe Clamps & Side Clamps Compact
- ↪ Flex Locators & One Touch Flex Locator Clampers
- ↪ ID Holding Clamps And Compact ID Holding Clamps
- ↪ Power Tool Actuated Clamps
- ↪ Modular Pull Clamping System
- ↪ One Touch Sliding Locks
- ↪ One Touch Clamps
- ↪ OD Holding Clamps
- ↪ Form Holding Clamps
- ↪ One Touch Fasteners
- ↪ Work Supports



- ↪ Spring Plungers
- ↪ Indexing Plungers
- ↪ Ball Lock Pins
- ↪ Clamping Levers
- ↪ Tension Levers
- ↪ Cam Levers
- ↪ Swivel Feet
- ↪ Crank Handles
- ↪ Position Indicators & Handles
- ↪ Grips And Knobs Handwheel
- ↪ Levelling Feet
- ↪ Support Elements
- ↪ Locking Elements
- ↪ Stop Elements
- ↪ Machine
- ↪ Fixture Components



AUTHORIZED DISTRIBUTOR

Shalabh Agencies

📍 Shop No C 3, Block No. 20, New Siyaganj, Indore - 452007 M.P. India

☎ +91-0731-253-0827, 254-8837, 405-4937 📞 +91-99772-02588

✉ info@jhalawadgroup.com 🌐 www.jhalawadgroup.com



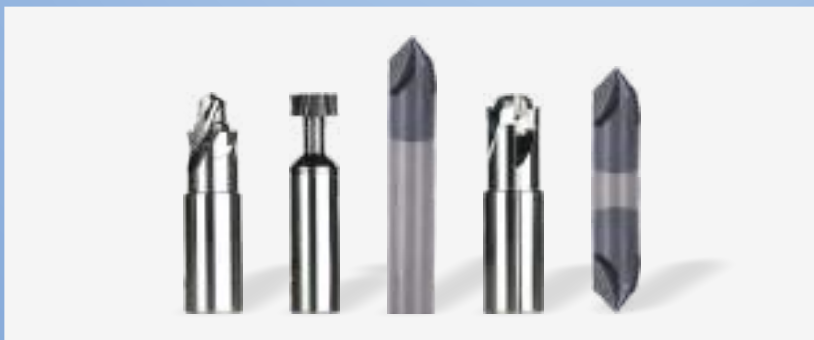
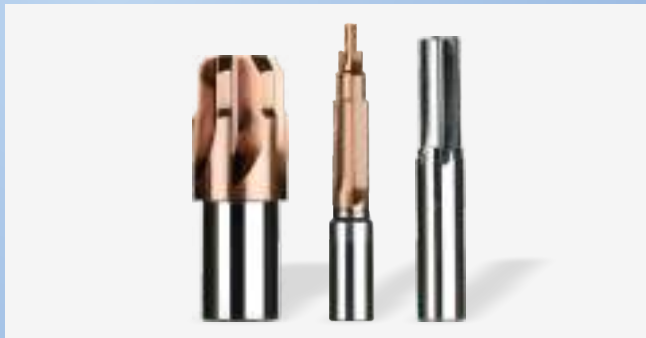
SOLID CARBIDE TOOLS

SOLID CARBIDE END MILLS



SOLID CARBIDE DRILLS

SOLID CARBIDE REAMER & HOLEMILL



SOLID CARBIDE CUSTOM TOOLS

AUTHORIZED DISTRIBUTOR



Shalabh Agencies

📍 Shop No. C-3, Block No. 20, New Siyaganj, Indore-452007 (M.P.) India
☎ (0731) 253 0827, 254 8837, 351 1827 ☎ +91 99772 02588
✉ info@jhalawadgroup.com 🌐 www.jhalawadgroup.com

Scan For
Whatsapp Chat



@Jhalawadgroup

LIFE



● REVOLVING CENTRES

● DEAD CENTRES

● PIPE CENTRES

● SPECIAL CENTRES

AUTHORIZED DISTRIBUTOR

Shalabh Agencies

📍 Shop No C 3, Block No. 20, New Siyaganj, Indore - 452007 M.P. India

☎ +91-0731-253-0827, 254-8837, 405-4937 📞 +91-99772-02588

✉ info@jhalawadgroup.com 🌐 www.jhalawadgroup.com



JHALAWAD GROUP
The Sign Of Excellence

Crystal



NON MAGNETIC & MAGNETIC V BLOCKS



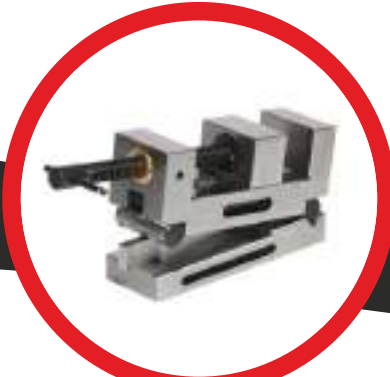
DEMAGNETIZER



INDICATOR-STAND



MAGNETIC CHUCKS



MAGNETIC SINE VICE



HARDENED TRI SQUARE



PARALLEL BLOCKS



SINE TABLE



MAGNETS

AUTHORIZED DISTRIBUTOR

Shalabh Agencies

📍 Shop No C 3, Block No. 20, New Siyaganj, Indore - 452007 M.P. India

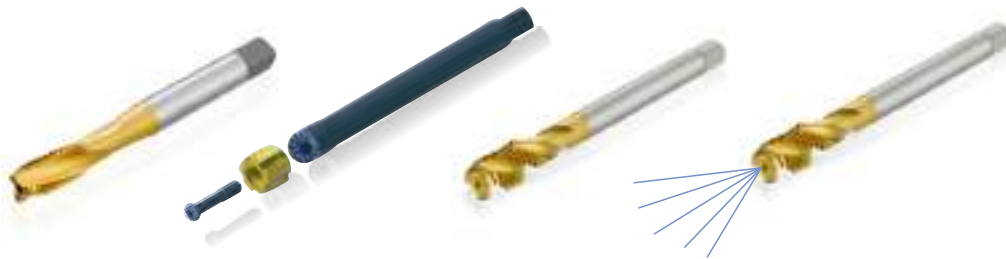
☎ +91-0731-253-0827, 254-8837, 405-4937 📞 +91-99772-02588

✉ info@jhalawadgroup.com 🌐 www.jhalawadgroup.com



LMT • TOOLS

TAPS



REAMER



ROLLING SYSTEM



AUTHORIZED DEALER

Shalabh Agencies

📍 Shop No C 3, Block No. 20, New Siyaganj, Indore - 452007 M.P. India

☎ +91-0731-253-0827, 254-8837, 405-4937 📞 +91-99772-02588

✉ info@jhalawadgroup.com 🌐 www.jhalawadgroup.com



JHALAWAD GROUP
The Sign Of Excellence

KRISTEEL-Shinwa®



**MEASURING INSTRUMENTS
& ENGINEERING GAUGES**

AUTHORIZED DEALER



Shalabh Agencies

📍 Shop No C 3, Block No. 20, New Siyaganj, Indore - 452007 M.P. India

☎ +91-0731-253-0827, 254-8837, 405-4937 📞 +91-99772-02588

✉ info@jhalawadgroup.com 🌐 www.jhalawadgroup.com



APEX
SINCE 1959

VICES



TILTING & SWIVELLING VICE



MILLING MACHINE VICE



UNIVERSAL PRECISION MACHINE VICE



BENCH VICE



DRILL VICE

TABLES & MAGNETIC CHUCKS



ANGLE TABLE



COMPOUND SLIDING TABLE



MILLING TABLE



MAGNETIC CHUCKS



CLAMPING ELEMENTS



WASHER



FLANGE NUT



HEX/COUPLING NUT



T SLOT NUT



C WASHER



T BOLT



CLAMPING STUD



CLAMPING KIT

CLAMPS & STEP BLOCKS



SLOTTED ANGLE PLATES



FLAT CLAMP



STEP BLOCKS



ADJUSTABLE HEIGHT CLAMP

ACCESSORIES



ADJUSTABLE TAP WRENCH



G CLAMPS



V BLOCK



BEARING PULLER

AUTHORIZED DISTRIBUTOR

Shalabh Agencies

📍 Shop No C 3, Block No. 20, New Siyaganj, Indore - 452007 M.P. India

☎ +91-0731-253-0827, 254-8837, 405-4937 📞 +91-99772-02588

✉ info@jhalawadgroup.com 🌐 www.jhalawadgroup.com



JHALAWAD GROUP
The Sign Of Excellence



PRECISION INSPECTION EQUIPMENTS



SURFACE PLATE

Available in Cast Iron & Granite
With Fabricated Stand, Leveling Pad & Vibration Pad

Size

12" to 36"

BENCH CENTRE

Available In Cast Iron & Granite
Mini Bench Centre & Vertical also available
With Fabricate Stand, Leveling Screw & Pads

SIZE

Centre Distance : 300 mm - 2000 mm

Centre Height : 125 mm - 250 mm

Gear Testor (PCD) also Available



COMPARATOR STAND

Cast Iron & Granite
Dial Stand Mounted Centrally & Asymmetrical

Also Ask For

Angle Plates - Slotted, Box & Plain
Cast Iron Cubes

Cast Iron And Granite Lapping Plates
Test Mandrels
Straight Edges

AUTHORIZED DISTRIBUTOR

Shalabh Agencies

📍 Shop No C 3, Block No. 20, New Siyaganj, Indore - 452007 M.P. India

☎ +91-0731-253-0827, 254-8837, 405-4937 📞 +91-99772-02588

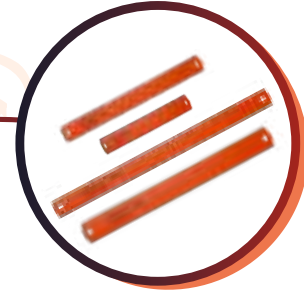
✉ info@jhalawadgroup.com 🌐 www.jhalawadgroup.com



JHALAWAD GROUP
The Sign Of Excellence



HSS & BI-METAL
HAND HACKSAW BLADE
TPI-14,18,24,32



HSS & BI-METAL
POWER HACKSAW BLADE
300mm to 750mm

BAHCO



BI-METAL HOLESAW
14mm to 210mm



BI METAL & CARBIDE TIPPED
BANDSAW BLADE
SUITABLE FOR
SINGLE/ BUNDLE OF
BARS, ROD, PIPE

AUTHORIZED DEALER



JHALAWAD GROUP
The Sign Of Excellence

Shalabh Agencies

📍 Shop No C 3, Block No. 20, New Siyaganj, Indore - 452007 M.P. India

☎ +91-0731-253-0827, 254-8837, 405-4937 📞 +91-99772-02588

✉ info@jhalawadgroup.com 🌐 www.jhalawadgroup.com



MACHINE TOOL ACCESSORIES

COLLET CHUCK



STUB MILLING ARBOUR



SIDE LOCK HOLDER



QUICK CHANGE CHUCK



REVOLVING, DEAD, PIPE CENTER & SPARE POINT



LOCKING DEVICE



SOFT JAWS & T-NUT



TURRET SOCKET



TAP & DRILL SLEEVE



RED. & EXT. SLEEVE



PULL STUD



EDGE FINDER



SPANNER



NUT



WEDGE & MT-TANK



AUTHORIZED DISTRIBUTOR



Shalabh Agencies

Shop No. C-3, Block No. 20, New Siyaganj, Indore-452007 (M.P.) India

(0731) 253 0827, 254 8837, 351 1827 +91 99772 02588

info@jhalawadgroup.com www.jhalawadgroup.com

Scan For
Whatsapp Chat

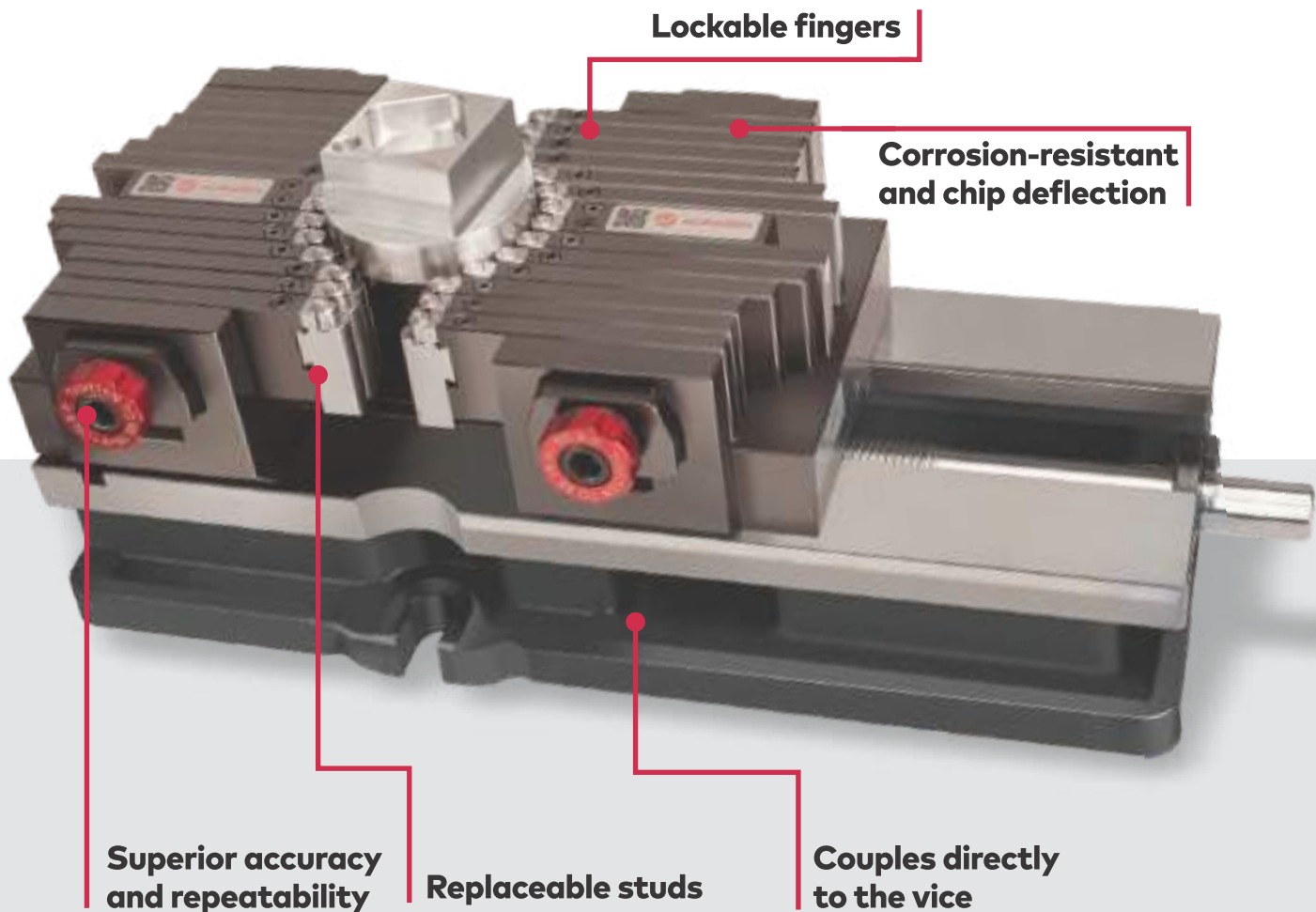


@Jhalawadgroup



Average Time
Saved with Adaptix
per setup:
1 HOUR 35 MIN

Adaptix™ An Innovation in Workholding
Grip the most challenging workpieces
powerfully and quickly.



AUTHORIZED DISTRIBUTOR



Shalabh Agencies

Shop No. C-3, Block No. 20, New Siyaganj, Indore-452007 (M.P.) India
(0731) 253 0827, 254 8837, 351 1827 +91 99772 02588
info@jhalawadgroup.com www.jhalawadgroup.com

Scan For
Whatsapp Chat



@Jhalawadgroup



- **POWER CHUCKS**
- **MANUAL CHUCK**
- **BALL LOCK CHUCK**
- **ROTARY CYLINDERS**
- **SOFT JAWS**

**REFURBISHING
AND RESTORING
OF CHUCK TO A
LIKE NEW STATE**

AUTHORIZED DISTRIBUTOR



Shalabh Agencies

📍 Shop No. C-3, Block No. 20, New Siyaganj, Indore-452007 (M.P.) India
☎ (0731) 253 0827, 254 8837, 351 1827 ☎ +91 99772 02588
✉ info@jhalawadgroup.com 🌐 www.jhalawadgroup.com

Scan For
Whatsapp Chat



@Jhalawadgroup



WATER SOLUBLES

- ☹ Synthetic
- ☹ Semi Synthetic
- ☹ Emulsion

Recommended for General Purpose to Heavy Duty Operation



RUST PREVENTIVE

Give Rust Protection on Jobs.
These are Oil & Solvent based
To Give Both Indoor, Outdoor & Sea Worthy
Protection from 6 Months To 24 Months

NEAT OIL

Recommended for Honing, Gear Hobbing, Shaving, Broaching,
Gear Grinding, Thread Grinding, Profile Grinding, CBN Grinding
Low Viscous Oils for light duty applications and High Viscous
Oils for heavy duty applications.



FORMING FLUID

For Ferrous & Non Ferrous applications
HVAC Industries for Al Fins Punching, Tube Bending,
Electrical Laminations, Coin Punching, Blanking,
Tube Forming, Drawing, Profile Stamping



CLEANERS

Process & Production Cleaners, Floor Cleaners, Burnishing Spray washers
Compounds, Spray Wash Cleaners Used with Ultrasonic and Spray washers

AUTHORIZED DEALER



Shalabh Agencies

MACHINE TOOLS ACCESSORIES



- ❑ MILLING MACHINE COLLET CHUCKS COLLETS
- ❑ M1TR/ R8 MILLING MACHINE ACCESSORIES
- ❑ DRILL, TAP, CENTRE DRILL DRIVERS
- ❑ CNC TURRET SOCKETS
- ❑ ADJUSTABLE ADAPTERS
- ❑ SPECIAL TOOL HOLDERS
- ❑ T NUT SET
- ❑ REDUCTION SOCKETS
- ❑ SOFT JAWS SET
- ❑ AUTOMAT COLLETS
- ❑ LONG MILLING ARBORS

AUTHORIZED DISTRIBUTOR



Shalabh Agencies

📍 Shop No C 3, Block No. 20, New Siyaganj, Indore - 452007 M.P. India

☎ +91-0731-253-0827, 254-8837, 405-4937 📞 +91-99772-02588

✉ info@jhalawadgroup.com 🌐 www.jhalawadgroup.com

Rapicut



ISO TIPS



MILLING INSERTS



CARBIDE POWDER



MINING PRODUCTS



**WEAR PARTS &
CARBIDE RODS**

AUTHORIZED DISTRIBUTOR



Primus Engineering Services

📍 Shop No C 3, Block No. 20, New Siyaganj, Indore - 452007 M.P. India

☎ +91-0731-253-0827, 254-8837, 405-4937 📞 +91-99772-02588

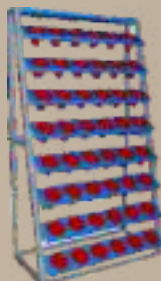
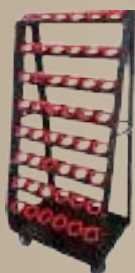
✉ info@jhalawadgroup.com 🌐 www.jhalawadgroup.com

AVAILABLE IN
BT 30/40/50
HSK 63/100

**TOOL
HOLDER
TROLLEY**



RACK



**WORK
BENCH**



**TOOL
SETTING
FIXTURES**



CABINETS



AUTHORIZED DISTRIBUTOR

Shalabh Agencies

📍 Shop No C 3, Block No. 20, New Siyaganj, Indore - 452007 M.P India

☎ +91-0731-253-0827, 254-8837, 📠 253-4855 📞 +91-99772-02588

✉ info@jhalawadgroup.com 🌐 www.jhalawadgroup.com



DIAMOND DRESSER

- ◆ Single Point
- ◆ Multi Point

DIAMOND LAPPING PASTE Range 1/4 Micron to 100 Micron



PCD/ PCBN INSERTS

AUTHORIZED DEALER



Shalabh Agencies

📍 Shop No C 3, Block No. 20, New Siyaganj, Indore - 452007 M.P. India

☎ +91-0731-253-0827, 254-8837, 405-4937 📞 +91-99772-02588

✉ info@jhalawadgroup.com 🌐 www.jhalawadgroup.com



- PERFECT WORKMANSHIP
- BEST PERFORMANCE
- HIGH PRECISION
- FIRMEST GRIP

TAPER MOUNTED CHUCK

- 1/4-6.35
- 3/8-10
- 1/2-13
- 5/8-16
- 3/4-520

THREAD MOUNTED CHUCK

- 1/4 - 06 TH
- 1/4 - 60 TH
- 3/8 - 210 LT
- 3/8 - 210 TH
- 1/2 - 213 LT

ARBORS FOR DRILL CHUCK

- MT1 - 1/4
- MT2 - 1/4, 3/8, 1/2
- MT3 - 1/2, 3/4, 5/8

*Spare Key
Also Available*

AUTHORIZED DISTRIBUTOR



Shalabh Agencies

📍 Shop No. C-3, Block No. 20, New Siyaganj, Indore-452007 (M.P.) India
 ☎ (0731) 253 0827, 254 8837, 351 1827 ☎ +91 99772 02588
 ✉ info@jhalawadgroup.com 🌐 www.jhalawadgroup.com

Scan For
Whatsapp Chat



@Jhalawadgroup

Mitutoyo



**Measuring
Instruments**

AVAILABLE AT

Primus Engineering Services

📍 Shop No C 3, Block No. 20, New Siyaganj, Indore - 452007 M.P. India

☎ +91-0731-253-0827, 254-8837, 405-4937 📞 +91-99772-02588

✉ info@jhalawadgroup.com 🌐 www.jhalawadgroup.com



JHALAWAD GROUP
The Sign Of Excellence



- ◆ Co₂ Laser Cutting Machine
- ◆ Fiber Laser Marking Machine
- ◆ Pin Marking Machine
- ◆ Chemical Etching Machine

AUTHORIZED DISTRIBUTOR

Shalabh Agencies

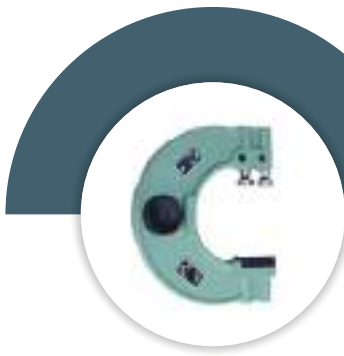
📍 Shop No C 3, Block No. 20, New Siyaganj, Indore - 452007 M.P. India

☎ +91-0731-253-0827, 254-8837, 405-4937 📞 +91-99772-02588

✉ info@jhalawadgroup.com 🌐 www.jhalawadgroup.com



JHALAWAD GROUP
The Sign Of Excellence



**ADJUSTABLE
SNAP GAUGE**



SNAP GAUGE



**MASTER
RING GAUGE**



RING GAUGE



**THREAD
PLUG GAUGE**



SPECIAL GAUGE



GAUGE BLOCK



DIE PUNCH



**KEYLESS
DRILL CHUCK**



REFRACTOMETER



**CUTTING
FLUID**



METAL LABEL

AUTHORIZED DISTRIBUTOR



JHALAWAD GROUP
The Sign Of Excellence

Shalabh Agencies

📍 Shop No C 3, Block No. 20, New Siyaganj, Indore - 452007 M.P. India

☎ +91-0731-253-0827, 254-8837, 405-4937 📞 +91-99772-02588

✉ info@jhalawadgroup.com 🌐 www.jhalawadgroup.com

FRIENDS WE MADE DURING OUR JOURNEY





📍 Shop No. C-3, Block No. 20, New Siyaganj, Indore-452007 (M.P.) India
☎️ (0731) 253 0827, 254 8837, 351 1827 📞 +91 99772 02588
✉️ info@jhalawadgroup.com 🌐 www.jhalawadgroup.com

Scan For
Whatsapp Chat



@Jhalawadgroup