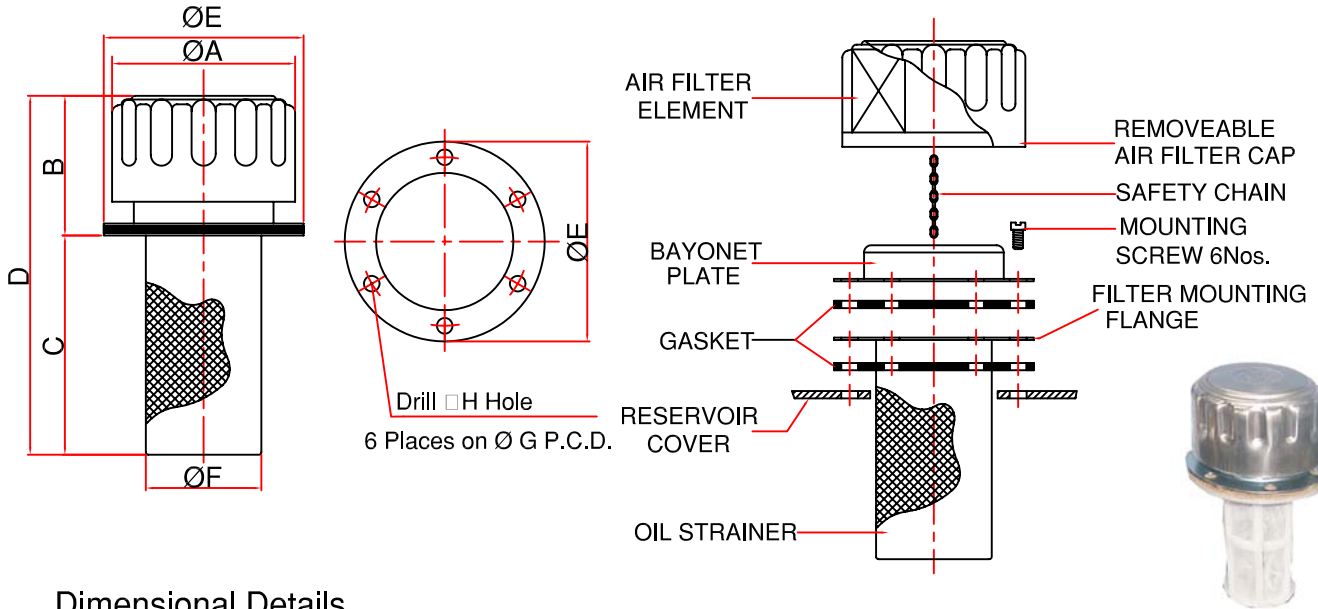


# JACKTECH FILLER BREATHER ASSEMBLY

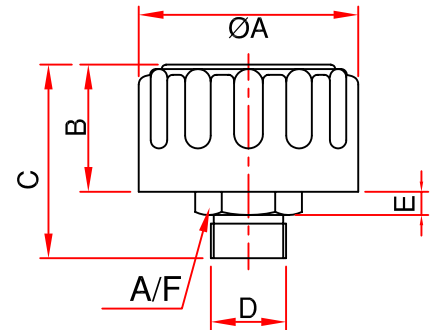


## Dimensional Details

MODEL	DISPLACEMENT	RATING MICRON	ØA	B	C	D	ØE	ØF	G	H
FSB-05	150 LPM	40	45	52	60	112	52	28	40	5
FSB-25	700 LPM	40	76	57	90	148	83	49	72	6.5

## TANK BREATHERS

MODEL	DISPLACEMENT	RATING MICRON	ØA	B	C	D	E	A/F
TB-05	150 LPM	40	45	39	60	1/4" BSP	8	25
TB-25	700 LPM	40	76	44	70	3/4" BSP	10	30



This is a combination unit for filtering air displacement from reservoir and for straining oil while filling. Mounting options include tank top.

Displacement capacity is 700 LPM (25 C.Ft.Min.) And filtration is to 40 microns. Air displacement from underneath cap assembly improves performance.

The unit comes completely assembled with internal safety Chain and all gaskets and fasteners. The mounting surface prepared as outlined in the sketch along unbroken line, should be free of burrs, flat and clean to provide a good sealing surface for flange gasket.

For use with Hydraulic/Lub. oil resevoirs applications include machine tools. mobile equipment, industrial machinery etc.

