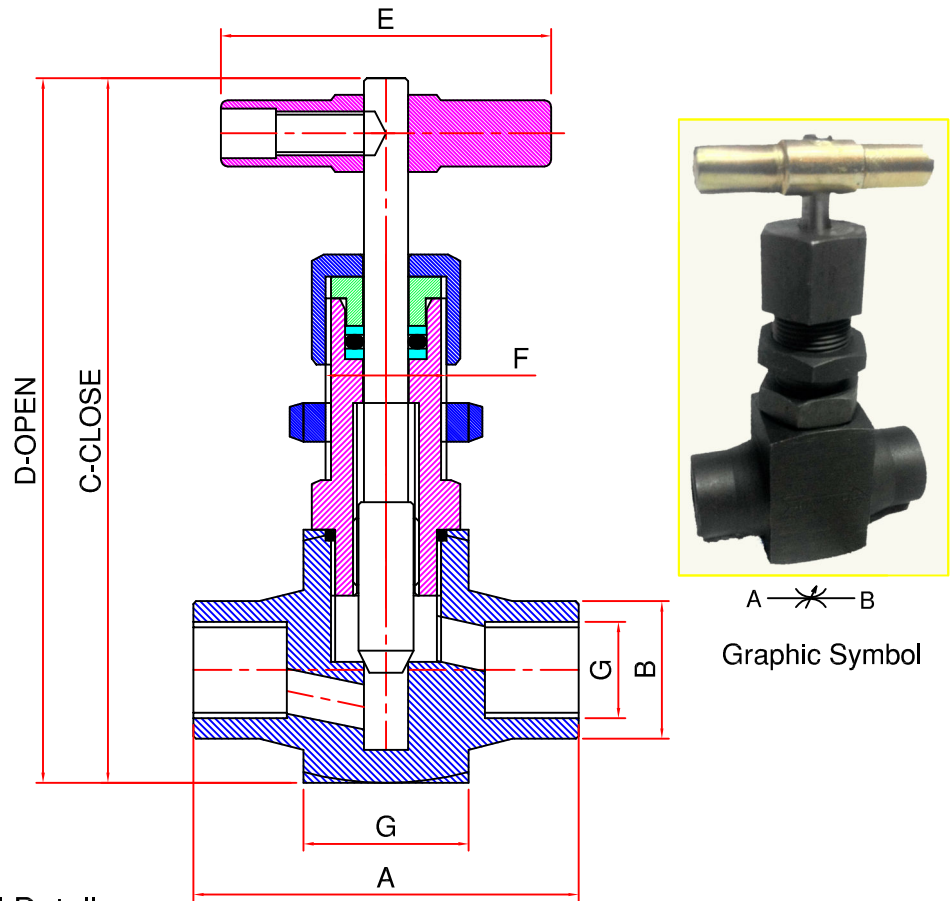


JACKTECH NEEDLE VALVE



Dimensional Details

MODEL NO.	A	B	C	D	E	F	G	H
HNV-10	70	25	128	143	60	22	30	3/8" BSP

Technical Specifications

- Construction.....Seat type.
- Mounting style.....subplate mounting.
- Mounting Position.....Optional
- Flow Direction.....From port 'A' to port 'B'
- Operating pressure.....315 bar.
- Hydraulics medium.....mineral oil.
- Viscosity range.....10 cSt to 380 cSt.
- Fluid temperature range.....-20°C to +70°C.
- Fluid cleanliness requirement.....As per ISO code 19/16 or better.
- Max. flow handling capacity.....30 l/min

