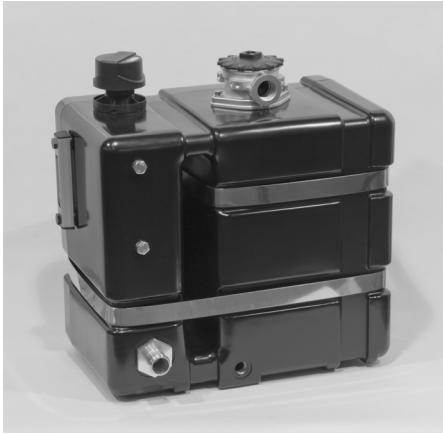


Plastic Tank Systems

Standard models

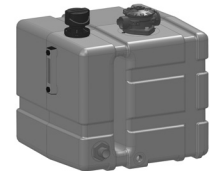
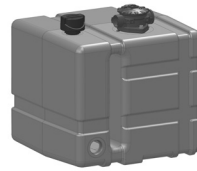


Basic version
45 litres

70 litres

Premium version
45 litres

70 litres



1. TECHNICAL SPECIFICATIONS

1.1 PLASTIC TANK SYSTEMS

When ordering tank systems, the customer receives the complete system from one company, factory-tested and ready-to-install. It includes the tank, hydraulic filter, breather, fluid level gauge, with standard or special threaded connections, depending on the version. What is more, the client will also save considerably on installation, logistics and transportation costs.

Our tank systems are available in two versions: Basic and Premium.

1.2 FILTER ELEMENTS

The HYDAC filter elements used in the plastic tank systems are validated and their quality is constantly monitored according to the following standards:

ISO 2941, ISO 2942, ISO 2943,
ISO 3724, ISO 3968, ISO 11170,
ISO 16889

1.3 TANK SPECIFICATIONS

Tank volume	45 or 70 litres
Materials	PA model: Polyamide (PA6) PE model: Crosslinked polyethylene (XLPE)
Maximum operating temperatures	-25 °C to +105 °C for PA6 -30 °C to +65 °C for XLPE
Colour	Basic version: natural/transparent Premium version: black
Filtration ratings and materials	On return line filter: 10 µm abs. (Mobilmicron) On the air breather: 3 µm paper On the filler-breather filter: 3 µm paper On the suction filter: 125 µm wire mesh

1.4 SEALS

NBR (=Perbunan)

1.5 INSTALLATION

Plastic tanks are generally used where a light, space-saving design is required, typically in mobile hydraulics.

1.6 SPECIAL MODELS AND ACCESSORIES

- Clamping bands, vertical or horizontal, depending on the application (please contact the HYDAC Accessories division)
- Customized tank versions and steel tanks (please contact Filter Division Technical Sales or one of our regional offices)
- Extension for oil outlet

1.7 SPARE PARTS

See original spare parts list for the relevant filter.

1.8 COMPATIBILITY WITH OPERATING FLUIDS DIN ISO 2943:

- Hydraulic oils H to HLPD DIN 51524
- Lubrication oils DIN 51517, API, ACEA, DIN 51515, ISO 6743
- Compressor oils DIN 51506
- Biodegradable operating fluids to VDMA 24568 HETG, HEES, HEPG on request
- Operating fluids with high water content (>50% water content) on request

2. MODEL CODE (also order example)

Tank PE 45 SK 1 . X /-...

Type

Tank

Material

PA polyamide
PE polyethylene

Tank size

45 45 litres
70 70 litres

Tank versions (see also point 3)

SB Standard tank - Basic:

- includes return line filter RFM 165 (for 45 l) or RFM 185 (for 70 l) incl. 10 µm Mobilemicron filter material
- includes air breather BF 30
- includes suction connection M48 x 2
- includes drain G 1/2 with threaded plug DIN 908

SK Standard tank - Premium:

- includes return line filter RFM 165 (for 45 l) or RFM 185 (for 70 l) incl. 10 µm Mobilemicron filter material
- includes filler/breather ELF 30/-KT
- includes suction filter 0070 SHB 125 W /-M48 (DN32)
- includes fluid level gauge FSA
- includes additional connection G 1/2
- includes additional connection G 1
- includes drain G 1/2 with threaded plug DIN 908

Type code

1

Modification number

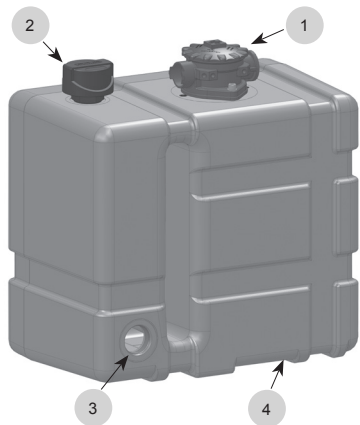
X the latest version is always supplied

Supplementary details

If required

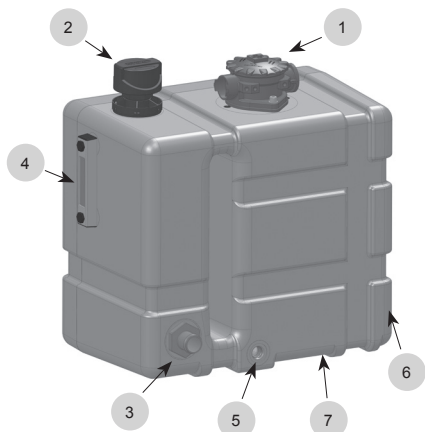
3. TANK VERSIONS

3.1 STANDARD TANK - BASIC



1. Return line filter
2. Breather filter
3. Suction port
4. Drain

3.2 STANDARD TANK - PREMIUM



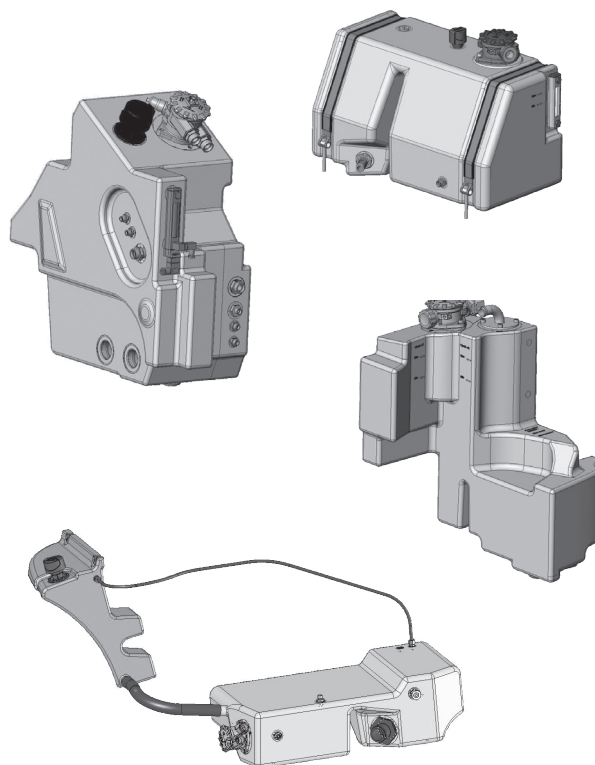
1. Return line filter
2. Filler / breather filter
3. Suction filter
4. Fluid level gauge
5. Additional return line connection
6. Additional return line connection
7. Drain

3.3 CUSTOMIZED PLASTIC TANKS

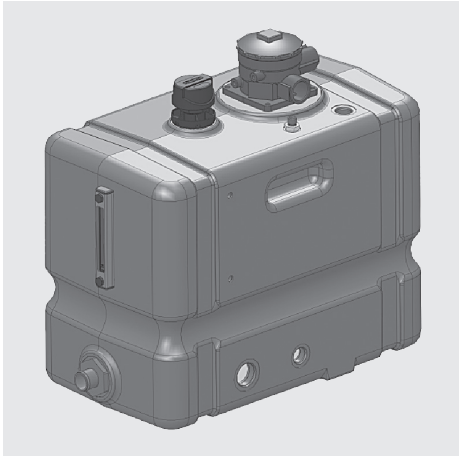
We will be pleased to discuss your particular installation requirements and answer your questions on the range of accessories.

Please contact us for further information.

Here are some examples:



4. PLASTIC TANK SYSTEMS – 100 LITRE PREMIUM VERSION



TECHNICAL DESCRIPTION

Since the demand for tanks with larger filling volumes is constantly increasing, a 100 litre tank was added to the range of plastic tanks.

Material: PA6
 Max. operating temperatures: -20...+100 °C
 Version: Standard tank - Premium

MODEL CODE

Tank PA 100 SK 1 . X /-...

Type

Tank

Material

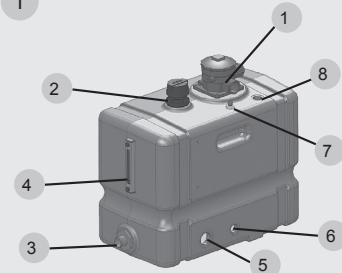
PA polyamide

Tank size

100 100 litres

Tank versions

- SK - with return line filter RFM 210 incl. 10µm Betamicon®-filter material (BN4HC) 1
- with filler / breather filter ELF 30 2
- with suction filter 0110 SHB 125 W 3
- with fluid level gauge FSA 4
- with additional connection M48 x 2 5
- with additional connection G 1 6
- with additional connection M22 x 1.5 7
- with additional connection G 1 8



Type code

1

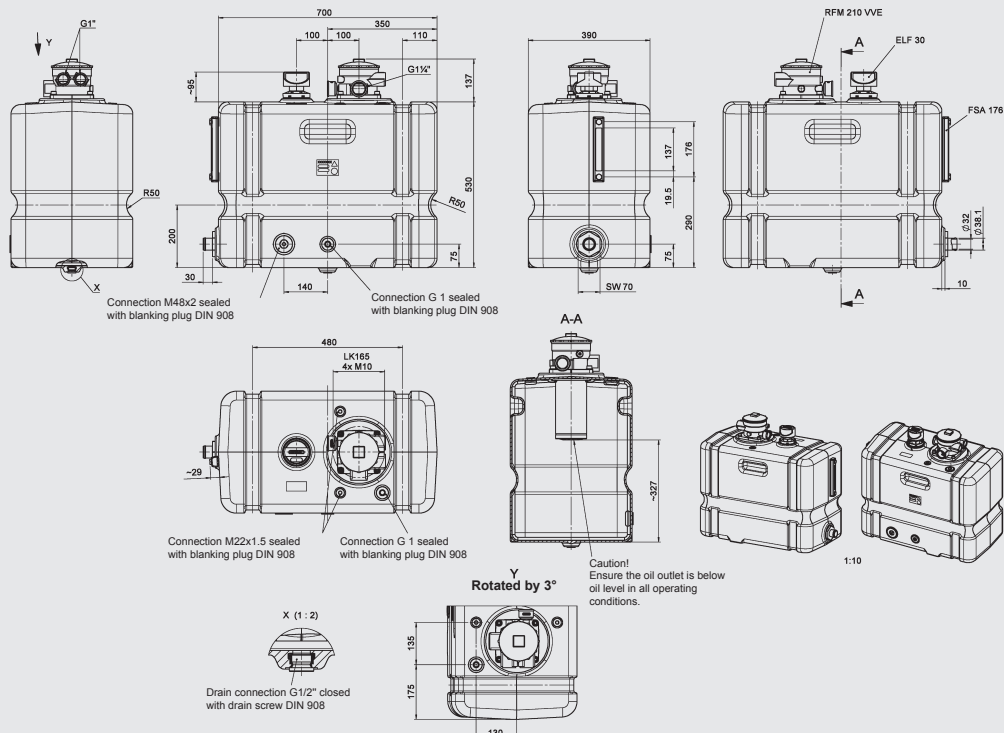
Modification number

X the latest version is always supplied

Supplementary details

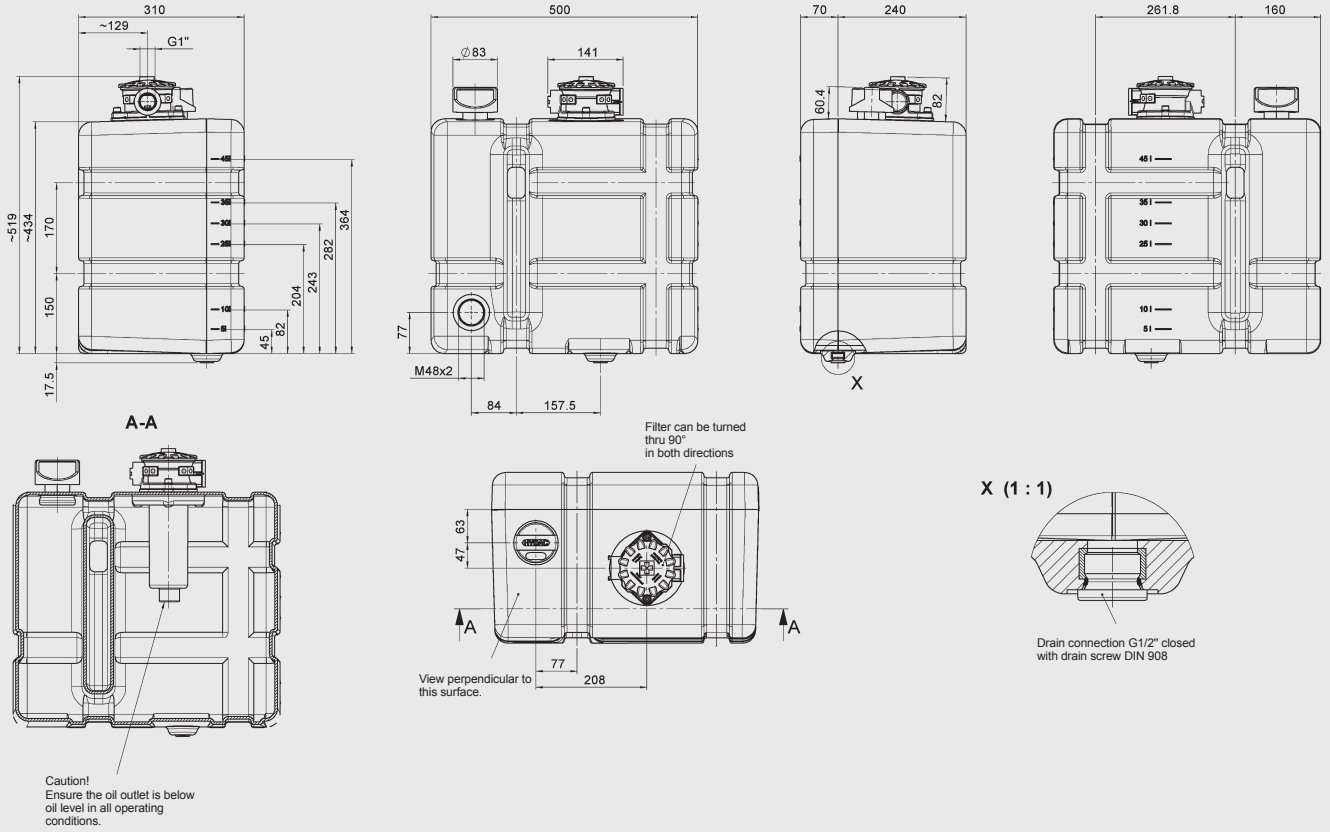
If required

DIMENSIONS

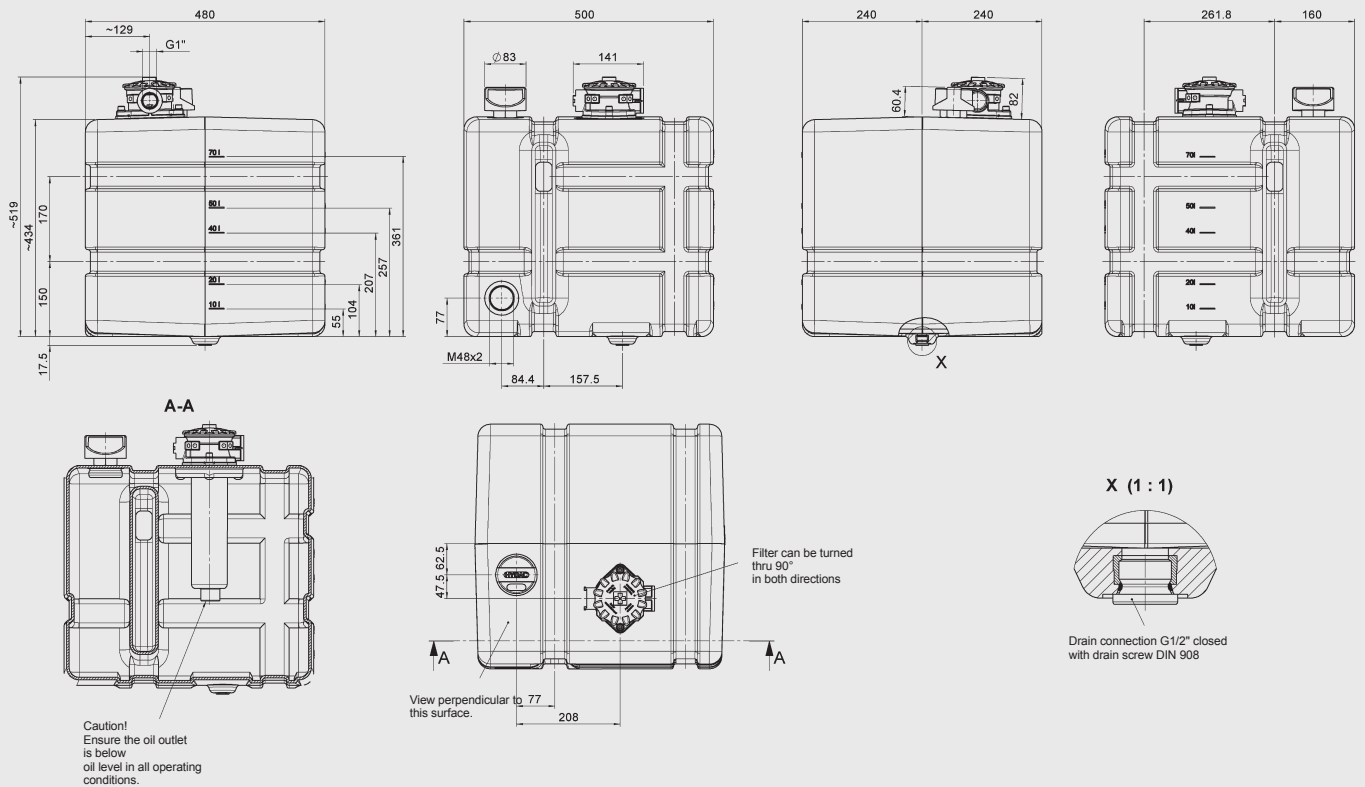


5. DIMENSIONS

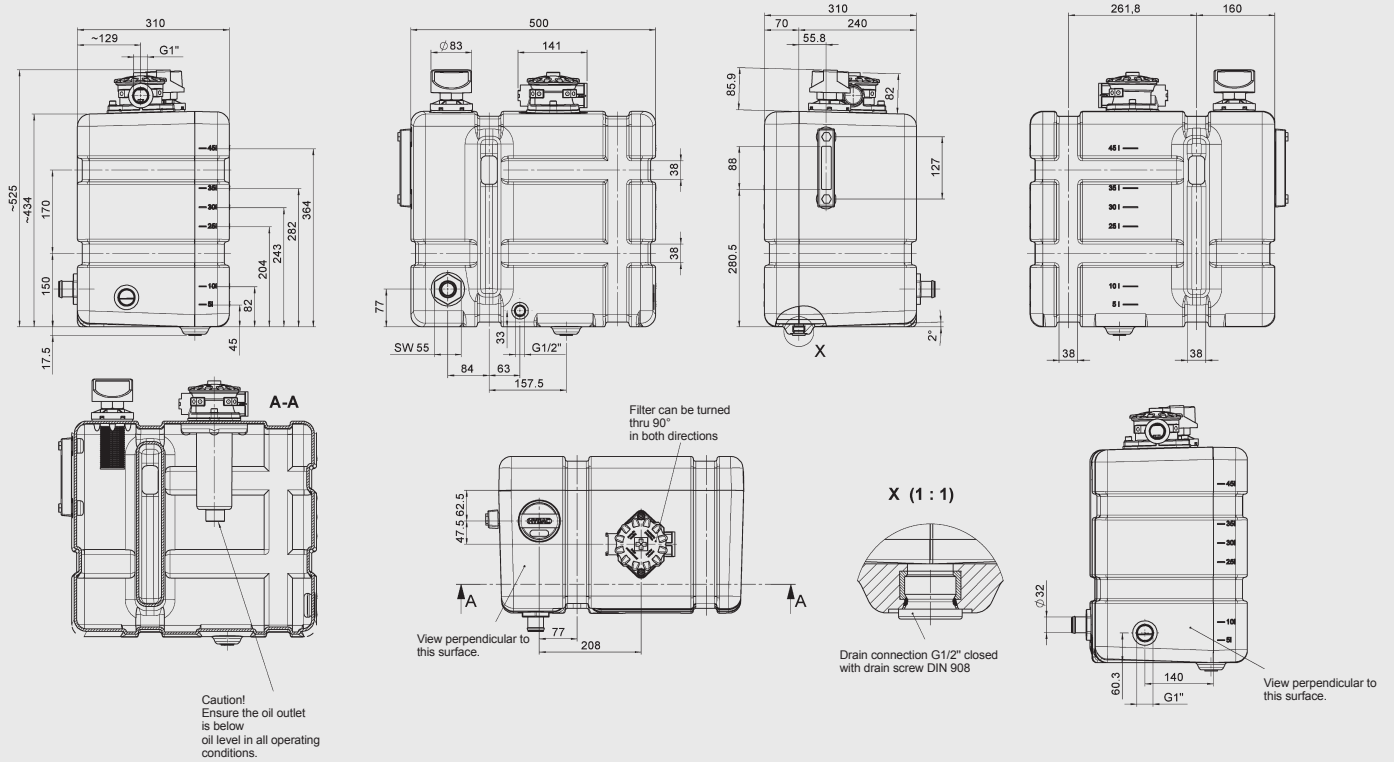
5.1 BASIC VERSION 45 LITRES



5.2 BASIC VERSION 70 LITRES



5.3 PREMIUM VERSION 45 LITRES



5.4 PREMIUM VERSION 70 LITRES

