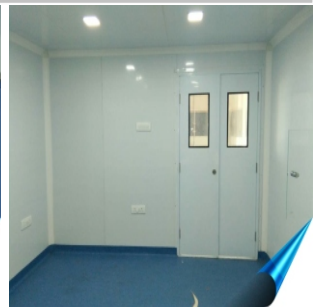
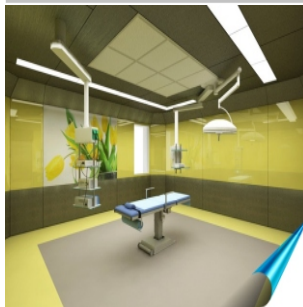




RADON MED-TECH

MEDICAL ENGINEERING



COMPLETE TURNKEY SOLUTION FOR HOSPITAL TERRITORY

*CENTER GAS PIPE LINE * MODULAR OR * VINYL FLOORING
* VOC FREE CLEAN LAB * IVF / IUI SETUP

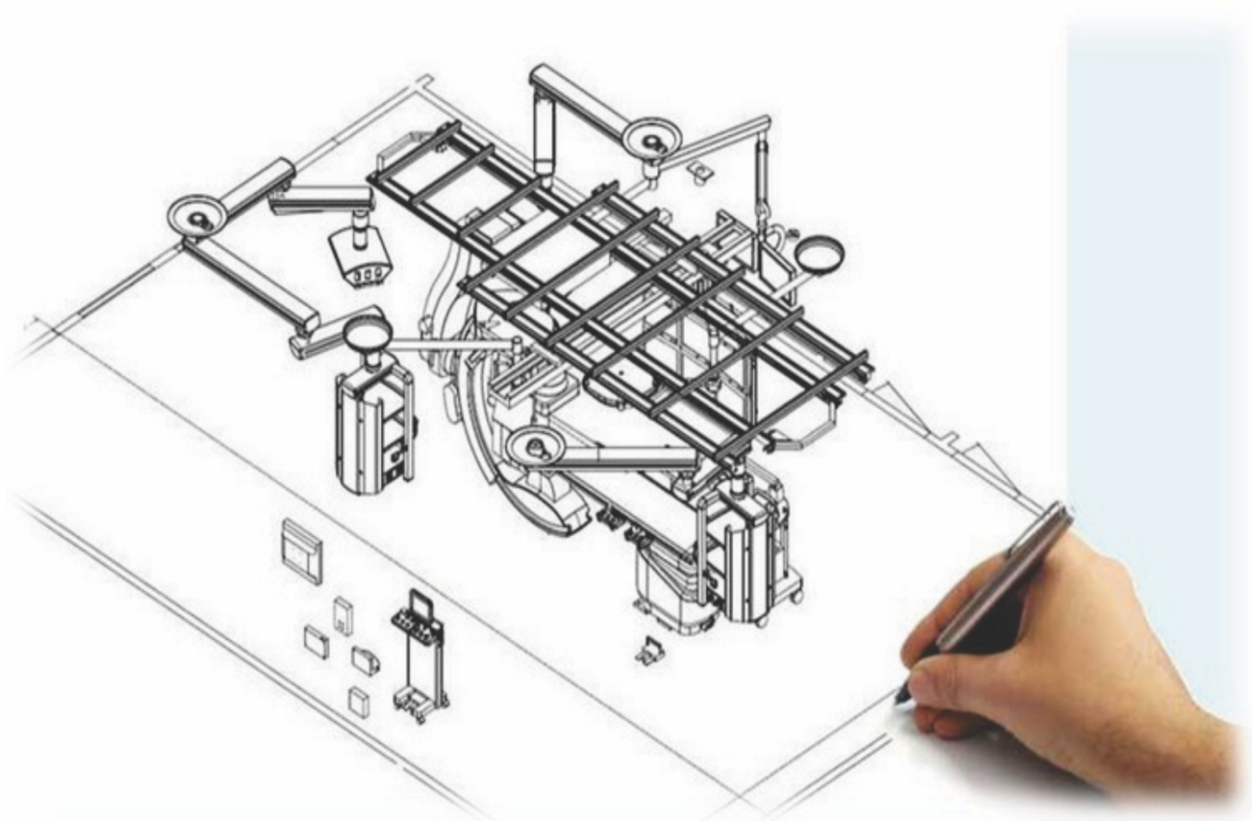
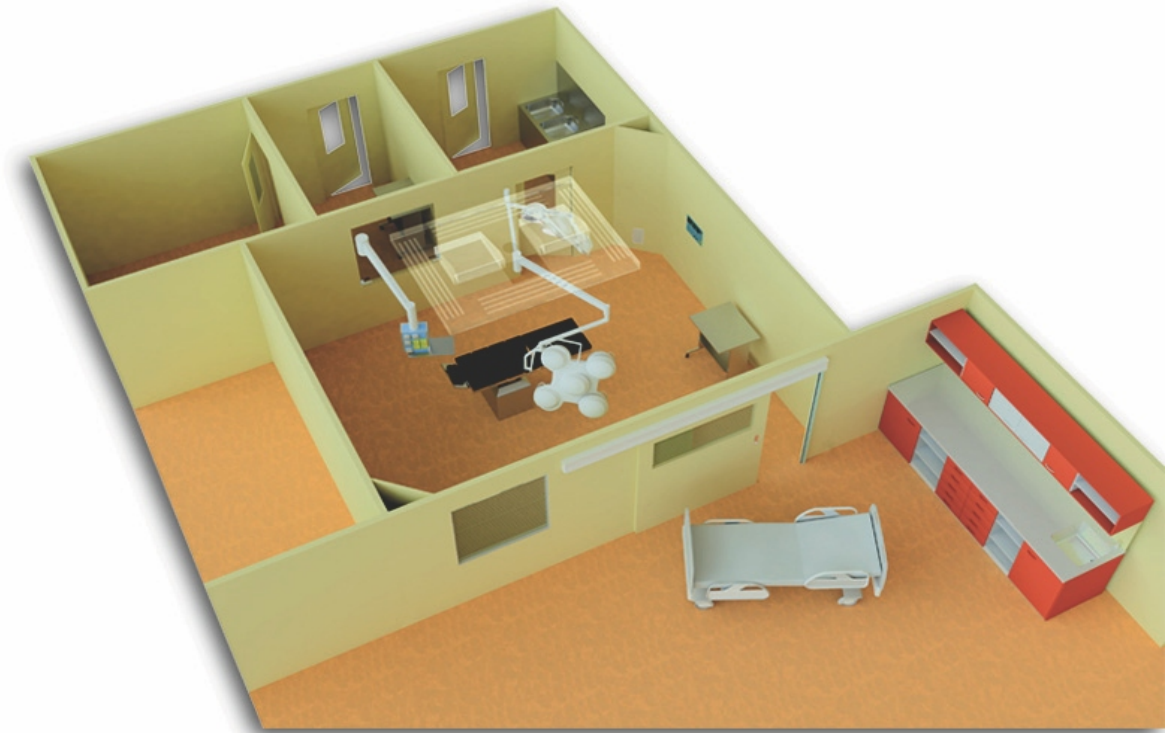


एन एस आई सी
NSIC
ISO 9001 : 2008

MSME
सूक्ष्म, लघु एवं मझम उद्यम
Micro, Small & Medium Enterprises



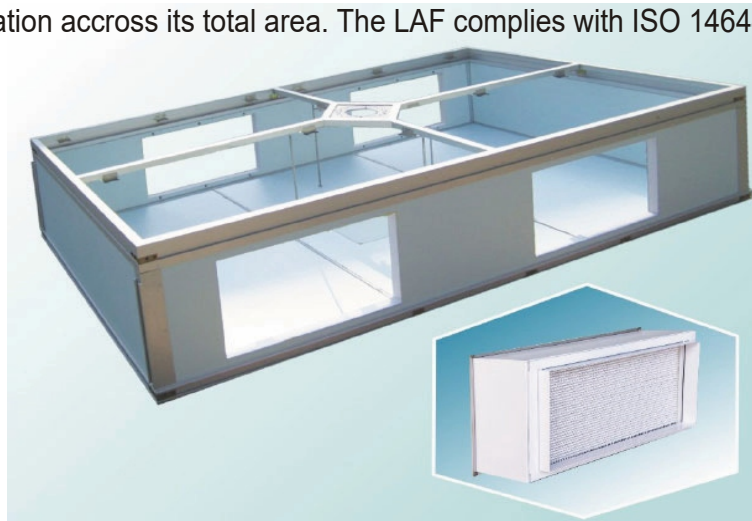
Laminar Air-Flow Management System



The LAF system creates a positive pressure in the OT especially giving out fresh air on the operating area; it is designed in accordance with HTM 2025 -114 / ISO 14644-1 for ventilation in Hospitals.

The ceiling is constructed with a plenum box made of Aluminum sheet that will introduce the highest air quality into the Operation Theater.

The LAF intergarated Lighting and a composite air/light diffuser . Air would be diffused into the theatre uniformly over th total area. The Lamnar flow ceiling would also have illumination accross its total area. The LAF complies with ISO 14644-1 clean room class.



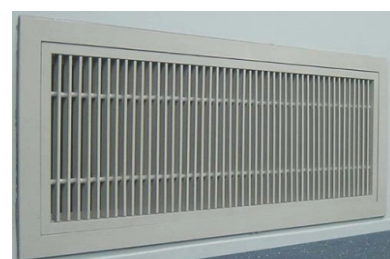
Laminar Air Flow -Box & Heepa Filter

The Laminar Air Flow system class 100 is equipped with 6-8 AAF HEPA filters of 0.3 micron to ensure high quality clean air under tight control for bacteria and infection control providing efficiency 99.97% to 0.3 micron.



Laminar Air Flow -Diffuser

The air circulated by the return air grill filtered through high class filter to save energy, it can maintain the pressure in OT area. Frame and body made of Steel sheet, adjustable vanes made of aluminum natural color, with a medium-efficiency filter, slim design, and 60mm depth



Return Air-Grill

Customer support :- +91-1821-221234
Customer support (Technical) :- +91-8968514269



R A D O N M E D - T E C H (I N D I A)

Corp. Office :- # B2/30, Moh. Sarai, Nakodar, Jalandhar (PB)-144040 (INDIA)

Factory :# Sohal Khurad Road,Back Side Govt Sin Sec School,Nakodar(JAL)-144040

Africa Office:- # NO.1 OLUMO STREET OFF ASO, DRIVE MAITAMA ABUJA. Nigeria.

Phone: +91-1821-221234 ; Mob: +91-97810-70398;+91-8968514269,Toll Free: 1800 843 6969

Web: www.radonmedtech.com ; E-Mail: kumar@rmedgroup.com / mgs.kumar@rmedgroup.com