

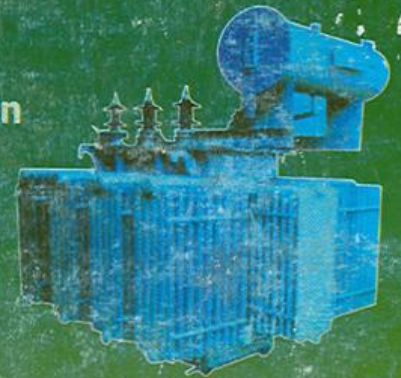
# KUNAL STAMPINGS PVT. LTD.

Manufacture and supplier of :  
**Wide RANGE of ELECTRICAL LAMINATION CORE**

All products Available in 0.35mm and 0.5mm thickness in CRNO & CRGO

All Kind of Electrical Lamination Core (stamping) for :

- Transformer
- UPS Stamping
- Inverter
- Servo Stabilizer
- CVT Transformer
- LTL Core
- Distribution Transformer
- IGBT Transformer
- Transformer for Tele Communication
- Three Phase Transformer Core



E&I Core



U & I Core



L Type Core

LTL Core



CVT Core




Three Phase Core



Lamination Strip with Hole

Plot No. 52-53, Pocket-F, Sector-3, DSIIDC Industrial Complex, Bawana, Delhi-110039 INDIA  
Telefax : +91-11-27761765, Email : kunalspl@yahoo.com, Website : www.kunalstamping.com

Contact Person : Mr. Mukesh Gupta (M.D.) Mobile : +91-9810065119  <https://wa.me/919810065119> (Director) Mobile : +91-9810065119



## A range of next generation transformer & electrical stamping and allied products...

### About Us

We are a world class business entity with a distinguished track record spanned over a decade. **Kunal Stamping Pvt. Ltd.** was established in the year 1990 and since then, it has been taking galloping steps towards success displaying the brilliance of technical expertise, innovative ideas and uncompromising quality centric approaches. For us, the ultimate goal is to cater to the requirements of our valued clients and offer them a cost effective and reliable solution. We are engaged in the industry as the **manufacturer, exporter and supplier of All Kinds of Transformer and Electrical Stamping**. In addition, we play a forerunner role as an **importer** of highly advanced **Transformer Stamping, UPS Stamping, Servo Stabilizer Stamping, Transformer Stamping, Distribution Transformer Stamping, IGBT Transformer Stamping, Transformer Lamination Core, Motor Stamping, Electrical Coil Raw Material and Lamination Core Raw Material, etc.** from the international market. We are At present, our market base is spread all over the country and the number of our clients are increasing everyday due to our customer centric approaches.

We maintain international quality standard with all the products we design and develop at Kunal Stamping Pvt. Ltd. In addition, the products we source from the overseas market are also of premium quality as we collect them from some highly reliable and internationally acclaimed manufacturer. As a result of such quality driven attitude, we are today regarded as one of the most prominent brands both at the domestic and international level. Our products are highly advanced, always coming up with novel features, and designed for a lifetime. They require less maintenance and offer the best performance. Our company is a recognized member of Bawana Industrial Welfare Association. At present, we have a long list of highly reputed clients which includes :- Hindustan Power Products (P) Ltd., Tru Sine Electronics Pvt. Ltd., Electric Industries, Elmas Magnetics Pvt. Ltd. (Hyderabad), UTL Inverter.Com, Blu Line Power Pvt. Ltd., Vinod Electricals (EXCIDE), Pole Star Power Industries Pvt. Ltd., Power Cube Transformers, Electro Engineers, etc.

### Our Product Range

Kunal Stamping Pvt. Ltd. is a highly reputed manufacturer and exporter of a wide range of electrical products. The product range of our company can be categorized as the following :-

#### All Kinds of Lamination (Stamping) for

- Transformer Stamping
- UPS Stamping
- Inverter
- Servo Stabilizer
- Transformer
- Distribution Transformer
- IGBT Transformer
- Sleated Coils

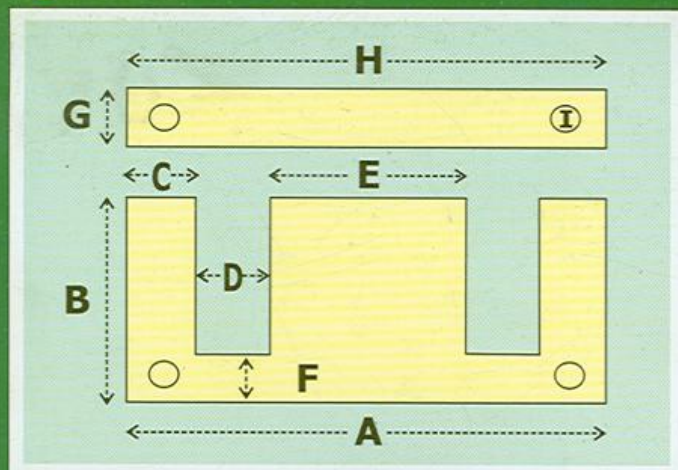
MR 2913

### Typical Electrical and Magnetic Properties

Grade of CSC Spec.	Resistivity (Ω)	Iron Loss (W/Kg)					Magnetic Flux Density (T)				
		W10/50	W15/50	W10/60	W15/60	W10/400	B3	B10	B25	B50	B100
35CS300	48.0	0.98	2.49	1.23	2.85	18.1	1.37	1.51	1.60	1.70	1.81
35CS440	39.4	1.24	2.99	1.54	3.45	21.4	1.41	1.55	1.64	1.72	1.94
35CS550	30.3	1.92	4.11	1.36	5.07	28.3	1.42	1.57	1.66	1.71	1.85
50CS350	49.3	1.16	2.68	1.49	3.42	27.4	1.37	1.52	1.62	1.70	1.82
50CS400	44.4	1.36	2.96	1.75	3.96	29.4	1.39	1.54	1.63	1.72	1.82
50CS470	43.2	1.50	3.42	1.91	4.12	32.2	1.41	1.56	1.65	1.73	1.84
50CS600	33.9	1.76	4.13	2.23	4.94	36.8	1.41	1.56	1.65	1.72	1.84
50CS700	28.7	2.09	4.59	2.62	5.73	40.3	1.40	1.57	1.67	1.72	1.86
50CS800	32.1	2.46	5.23	3.07	6.43	43.7	1.20	1.55	1.66	1.72	1.85
50CS1000	25.6	2.74	5.72	3.45	7.15	51.1	1.33	1.58	1.68	1.74	1.87
50CS1300	22.7	2.76	5.99	3.47	7.36	53.1	1.18	1.58	1.68	1.74	1.87
65CS600	28.7	2.10	4.69	2.70	6.19	53.1	1.38	1.54	1.65	1.71	1.84
65CS800	28.6	2.11	5.92	2.73	6.27	54.9	1.37	1.54	1.65	1.72	1.84
65CS1300	27.3	3.18	6.32	4.05	8.33	66.5	1.12	1.55	1.67	1.74	1.86



**Figure for EI Lamination Core Dimension**



**SLITTED COILS**



**EI Lamination Core Dimension**

All Size Area in : mm

Sr. No.	Size	A	B	C	D	E	F	G	H	I Hole Size
1.	1 No.	28.6	22	4.76	4.76	9.53	4.76	4.76	28.6	
2.	17 No.	36.1	25.4	6.35	6.35	12.7	6.35	6.35	36.1	
3.	17 SPL	41.5	27.5	6.35	8	12.7	6.35	6.35	41.5	
4.	12 No.	48.1	31.75	8.02	8.02	16.04	8	8	48.1	
5.	23 No.	57.15	38.1	9.52	9.52	19.5				
6.	30 No.	60	40	10	10	20				
7.	45 No.	67.5	44.45	11.25	11.25	22.5				3
8.	15 No.	76.2	50.8	12.7	12.7	25.4	12.7	12.7	76.2	
9.	33 No.	94	56	14	14	28	14	14	84	6.75
10.	3 No.	96.25	63.5	16.04	16.04	32.06	16.04	16.04	96.25	6.75
11.	16	114.3	76.2	19.05	19.05	38.1	19.05	19.05	114.3	6.75
12.	6 B	133.35	88.9	22.22	22.22	44.45	22.22	22.22	133.4	6.75
13.	43	152.4	101.6	25.4	25.4	50.8	25.4	25.4	152.4	6.75
14.	7 B	190.5	127	31.75	31.75	63.5	31.75	31.75	190.5	8
15.	8 No.	184.15	146.05	25.4	41.5	50.8	25.4	25.4	184.2	8
16.	8 B	234.95	158.75	38.1	41.28	76.2	38.1	38.1	235	12
17.	9 No.(9x12)	228.6	152.4	38.1	38.1	76.2	38.1	38.1	228.6	12.5
18.	10 No. (10.5x14)	266.7	177.8	44.45	44.45	88.9	44.45	44.45	266.7	12.5
19.	100 No. (12x16)	304.8	203.2	50.8	50.8	101.6	50.8	50.8	304.8	12.5
20.	150 No. (13.5x16)	343	228.6	57.16	57.16	114.3	57.16	57.16	343	12.5
21.	200 No. (15x20)	381	254	63.5	63.5	127	63.5	63.5	381	12.5

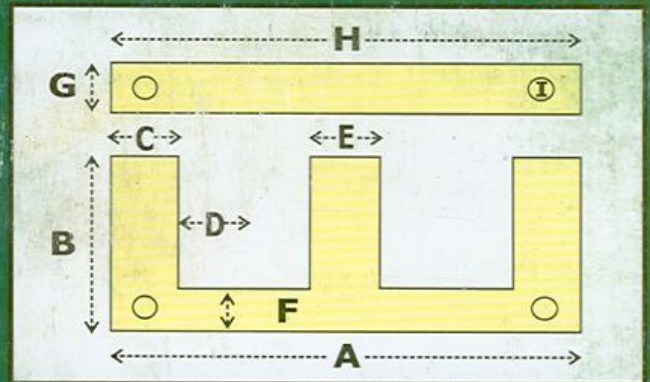




**EI Three Phase Lamination Core Dimension**  
All Size Area in : mm

Sr. No.	Size	A	B	C	D	E	F	G	H	I Hole Size
1.	15 No.	76.2	50.8	12.7	19.05	12.7	12.7	12.7	76.2	
2.	3 No.	96.25	63.5	16.04	23.6	16.04	16.04	16.04	96.25	6.75
3.	16	114.3	76.2	19.05	28.575	19.05	19.05	19.05	114.3	6.75
4.	43	152.4	101.6	25.4	38.1	25.4	25.4	25.4	152.4	6.75
5.	7 B	190.5	127	31.75	47.625	31.75	31.75	31.75	190.5	8
6.	8 B	234.95	158.75	38.1	60.33	38.1	38.1	38.1	235	12
7.	100 No. (12x16)	304.8	203.2	50.8	76.2	50.8	50.8	50.8	304.8	12.5

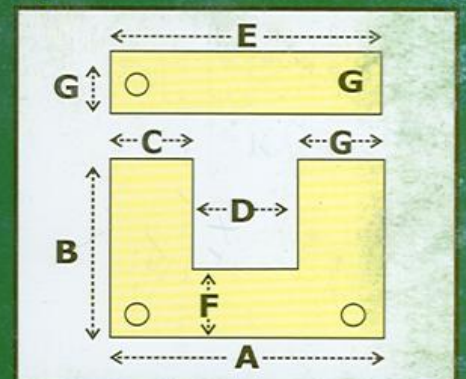
Figure for Three Phase Lamination Core



**LAMINATION STRIP WITH HOLE**



Figure for UI Lamination Core



**UI Lamination Core Dimension**  
All Size Area in : mm

Sr. No.	No.	A	B	C	D	E	F	G Hole Size
1.	15 No.	76.2	101.8	25.4	25.4	76.2	25.4	8
2.	3 No.	95.25	127	31.75	31.75	95.25	31.75	8
3.	4 No.	114.3	152.4	38.1	38.1	114.3	38.1	8
4.	6 B	133.4	177.8	44.45	44.45	133.4	44.45	8
5.	7 UI	152.4	203.2	50.8	50.8	152.4	50.8	8
6.	7 AUI	171	228.6	57.15	57.15	171.5	57.15	
7.	7 B	190.5	254	63.5	63.5	190.5	63.5	12
8.	9 U	228.6	304.8	76.2	76.2	228.6	76.2	12

**K.S.P.L. KUNAL STAMPINGS PVT. LTD.**

Plot No. 52-53, Pocket-F, Sector-3, DSIDC Industrial Complex, Bawana, Delhi-110039 INDIA  
 Telefax : +91-11-27761765, Email : kunalspl@yahoo.com, Website : www.kunalstamping.com  
 Contact Person : Mr. Mukesh Gupta (M.D.) Mobile : +91-9810065119 Mr. Puneet Gupta (Director) Mobile : +91-9810065319