



# PHARMA MACHINERIES

## COMMUNITING MILL



## MINI COMMUNITING MILL



### RIDDHI PHARMA MACHINERY LTD.

CIN: U33112GJ1995PLC028504

**Manufacturer & Exporters of Pharmaceutical Machineries**

**MUMBAI OFFICE:** Om-shivam soc., Tarun Bharat Bldg. No.2, Opp. Cigarette Factory, Sahar Road, Andheri (East), Mumbai - 400 099. Maharashtra, India Tel.: +91-22-28321332 / 28382479

Mobile: +91- 9821018579 / 9969994187 Email: [hkshah@riddhipharma.com](mailto:hkshah@riddhipharma.com) / [riddhipharma@yahoo.com](mailto:riddhipharma@yahoo.com)

Web : [www.riddhipharma.com](http://www.riddhipharma.com) / [www.riddhipharma.net](http://www.riddhipharma.net)

**REGD. OFFICE & FACTORY :** Riddhi Estate, Gulab Nagar, Opp. AEC, Amraiwadi, Ahmedabad - 380026. India.





### TYPE OF SCREENS AVAILABLE :

**TYPE 'A' SCREENS -** Perforated Round Holes :  
 3/32", 7/64", 1/8", 5/32",  
 3/16", 7/32", 1/4", 5/16",  
 3/8", 1/2", 5/8", 3/4" and 1".  
 Perforated Square Holes :  
 1/4", 3/8", 1/2", 7/8"  
 and 1 1/8".

**TYPE 'B' SCREENS -** Perforated Round Holes  
 with back reinforcing plate :  
 1/50", 1/42", 1/37", 1/32",  
 1/25", 1/20" and 1/16".

**TYPE 'C' SCREENS -** Woven Stainless Steel Wire  
 Mesh with back reinforcing  
 plate : 3, 6, 8, 10, 12, 14, 16,  
 20, 30, 40 and 50 mesh.

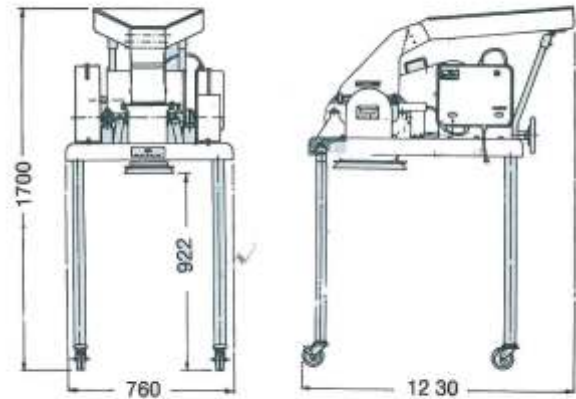
**TYPE 'D' SCREENS -** Woven Stainless Steel Wire  
 Mesh mounted on front and  
 back reinforcing plate of 36  
 Square Holes : 60, 80 mesh.

**TYPE 'E' SCREENS -** Woven Stainless Steel Wire  
 Mesh mounted on front and  
 back reinforcing plate of 36  
 Square Holes : 100, 200 Mesh

Perforated screens are also available with Holes size  
 in mm.

FRONT VIEW

SIDE VIEW



ALL DIMENSIONS ARE IN MM



## RIDDHI PHARMA MACHINERY LTD.

**Manufacturer & Exporters of Pharmaceutical Machineries**

**OFFICE: MUMBAI** Om-Shivam Bldg.,2, Tarun Bharat, Sahar Rd, Andheri(E), Mumbai-400 099.Maharashtra, India.

Tel.: 91-22-2832 1332 / 2838 9432 Fax: 91-22-2838 2479 Res : 91-22-2683 3777, Mob: 98210 18579

**Whatsapp :** 919821018579 **Skype :** hiten.k.shah

**E-mail:** hitenkshah@hotmail.com/ hitenks@vsnl.com **Website:** www.riddhipharma.com

**FACTORY :** Riddhi Estate, Gulab Nagar, Opp. AEC, Amraiwadi, Ahemdabad-380 026. India.



## RIDDHI MILL COMMINUTING MACHINE PLAIN & WATER JACKETED MODEL : RDFM

APPLICATION :Riddhi mill has been specifically designed for wet and drygranulation, pulverization or dispersion of products or ingredients found in the pharmaceutical, Chemical and food industries. It is also finds application in Cosmetics, confectionery, Fertilizers, Insecticides, detergents and Electroflux Industries etc.

DESCRIPTION :Latest improvements in design makes this unit a truly GMP model and Versatile in operation & maintenance.

Unit consist of S.S.304 quality hopper, feed throat and processing chamber (can be provided in S.S.316 quality at extra cost ) with beaters assembly , heavy duty motor, star delta starter with overload relay, three speed step pulley, suitable screen , S.S. clad base having tubular legs with castors,

optional jacket for the feed throat and processing chamber for cooling. OPERATION :Product kept in the hopper slide down to the enclosed chamber, where it is milled in between beaters and screen to the required mesh/micron size which can be collected at the bottom of the container. Quality and output depends upon the three main variables 1) Beaters shape (knife/impact forward) 2) Speed and

3) Screen size. Knife edge for coarse or large particles and impact or flate edge for finer particles. High speed for fine grinding, low speed for coarser particles. A wide range of screens is available for various process needs.

### TECHNICAL SPECIFICATION

OUTPUT	: 50 kgs. to 800 kgs per hour depending on the product and the reduction required in size.
ROTOR SPEED	: 1000/2250/4500 RPM.
BEATERS	: 16 NOS Stainless steel with knife and impact edges
SCREEN AREA	: 495 mm x 135 mm (66825sq.mm)
MOTOR	: 7.5HP/1400RPM/440V/50CS/3PH/AC.
STARTER	: Star Delta with no-load and overload protection.
NET WEIGHT	: 400 kgs.
GROSS WEIGHT	: 530 kgS.
DIMENSIONS	: 1230 x 760 x 1575 MM(HT) 49 x 30 x 62 inch app.
CASE DIMENSIONS	: 1380 x 1050 x 1900 MM(HT) 55 x 42 x 75 inch



## RIDDHI PHARMA MACHINERY LTD.

CIN: U33112GJ1995PLC028504

**Manufacturer & Exporters of Pharmaceutical Machineries**

**MUMBAI OFFICE:** Om-shivam soc., Tarun Bharat Bldg. No.2, Opp. Cigarette Factory, Sahar Road, Andheri (East), Mumbai - 400 099. Maharashtra, India Tel.: +91-22-28321332 / 28382479  
Mobile: +91- 9821018579 / 9969994187 Email: [hkshah@riddhipharma.com](mailto:hkshah@riddhipharma.com) / [riddhipharma@yahoo.com](mailto:riddhipharma@yahoo.com)  
Web : [www.riddhipharma.com](http://www.riddhipharma.com) / [www.riddhipharma.net](http://www.riddhipharma.net)

**REGD. OFFICE & FACTORY** : Riddhi Estate, Gulab Nagar, Opp. AEC, Amraiwadi, Ahmedabad - 380026. India.

