

DIN 2353 FITTINGS



INDEX

Sr. No.	Description	Page No
1	Assembly Instruction	3
2	Byte Type Fitting - Specification	6
3	Visual Index	7
4	Other Products	43
5	Communication Details	45

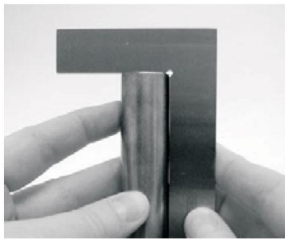
ASSEMBLY INSTRUCTION

Assembly instructions according to DIN 3859-2

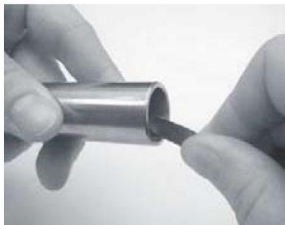
In order to ensure proper screwed pipe connections, several basic prerequisites must be met in the assembly of all screw connection systems. Improper assembly may lead to malfunctions and impair safety.

Preparation of Pipes

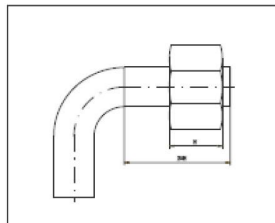
Saw off pipe at a right angle. Deviation of angle pipe axis of up to $\frac{1}{2}^\circ$ is permissible. Do not use a pipe cutter!



Lightly de burr pipe in the inside and outside of the cut edges. Bevel angles of up to $0.2 \times 45^\circ$ is permissible. Remove chips and particles.



For pipe bends, the minimum height from the straight pipe end to the bending radius must be noted. This must be at least twice the height of the union nut.



ASSEMBLY INSTRUCTION

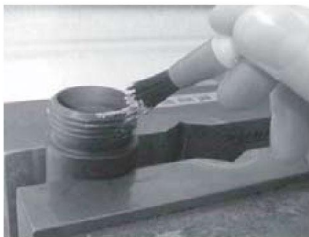
Assembly of Cutting Screw Connection

Pipes of rustproof steel must be pre-assembled in hardened pre-assembly connection pieces or the corresponding devices. This can also be recommended for serial assembly using components of other materials.

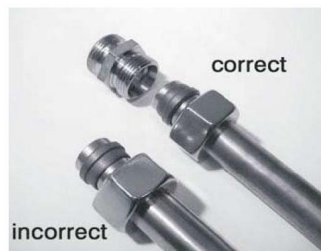


Assembly with Hardened pre-assembly connection piece

Lightly grease the threads of the union nut, thread and cone of the pre-assembly connection piece and cutting ring, using, for example anti seize agent



Slide union nut and cutting ring onto the pipe. Ensure that the cutting ring is positioned correctly (see drawing below).



Screw the union nut onto the pre-assembly connection piece as far as possible by hand. At the same time, press the pipe against the stop. As soon as the cutting ring has cut into the pipe, the tightening moment will increase noticeably. A flag at the union nut facilitates the observation of the necessary revolutions. Tighten union nut using a wrench by approx. 1 1/4 revolution. **Important:** Do not turn the pipe with the nut!



ASSEMBLY INSTRUCTION

Check whether a visible collar has formed on the pipe in front of the (first) cutting edge.



Final assembly in screwed connection piece

Insert the pre-assembled pipe into the screwed connection piece. Tighten union nut approx. $\frac{1}{2}$ revolution beyond the point at which the tightening moment increases noticeably, holding the screwed connection piece with a wrench.



BITE TYPE FITTINGS - SPECIFICATION

Standard:

“J. J.” high pressure steel fittings are manufactured to DIN 2353 specification and ISO 8434 – 1 for ease of Interchangeability. These fittings are available for different pressure rating from 100Bar to 630Bar

Principle:

“J. J.” Single Ferrule Fitting is a three piece design consisting of a body portion, a coupling nut and a ferrule. During the assembly the nut is progressively tightened causing hardened ferrule to slide along the inner conical seat of the body and grip the tube. Tightening the nut, ring deforms due to 24 degree cone of fittings and bites into the steel tube, producing deep cut on the tube. The cut is visible on the outer diameter of the tube. This cut on the tube acts as metallic interlock and makes the joint leak proof at high pressure and under vibration

Before Tightening After Tightening



Pressure

The pressure stated in the catalogue are nominal pressure for steel fitting with a safety factor of at least 4. These figures may be used as maximum working pressure under normal working conditions and temperature up to 120°C. In case of high temperatures and instances where there are surge pressure and high mechanical stresses (vibration etc.) we recommend series “S”.

It is assumed that the tube and equipment will be clamped in position in such a way that the fittings will be free from additional stresses, loads and tensions.

VISUAL INDEX

TUBE FITTINGS COMPONENTS

FERRULE



Page No. 9

NUT



Page No. 9

TUBE TO TUBE FITTINGS

STRAIGHT UNION



Page No. 10

ELBOW UNION



Page No. 11

TEE UNION



Page No. 12

CROSS UNION



Page No. 13

BULKHEAD UNION



Page No. 14

**BULKHEAD UNION
ELBOW**



Page No. 15

TUBE TO STUD FITTINGS

**MALE
CONNECTOR**



Page No. 16

MALE ELBOW



Page No. 18

**MALE BRANCH
TEE**



Page No. 19

MALE RUN TEE



Page No. 20

**FEMALE CONNec-
TOR**



Page No. 21

SWIVEL FITTINGS

**SWIVEL
CONNECTOR**



Page No. 22

SWIVEL ELBOW



Page No. 23

**SWIVEL BRANCH
TEE**



Page No.24

SWIVEL RUN TEE



Page No. 25

VISUAL INDEX

BENJO

BENJO ELBOW



Page No. 26

**THROTTLE FREE
BENJO**



Page No. 27

REDUCER

**STRAIGHT
REDUCER**



Page No. 28

TEE REDUCER



Page No. 30

TUBE REDUCER



Page No. 34

WELDABLE FITTINGS

**WELDABLE
BULKHEAD**



Page No. 36

WELD FITTING



Page No. 37

SUPPLEMENTARY

**REDUCING
ADAPTOR**



Page No. 38

WELDING NIPPLE



Page No. 39

PLUG



Page No. 40

**REINFORCING
RING**



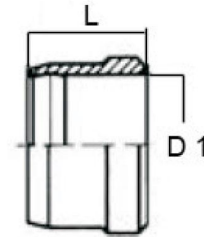
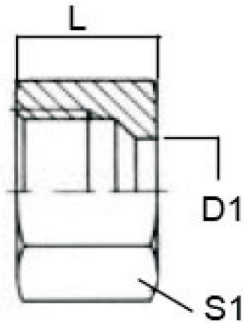
Page No. 41

**PRESSURE GAUGE
CONNECTOR**



Page No. 42

Nut & Ferrule

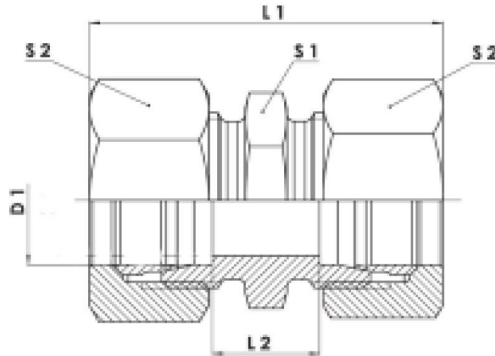


NUT				
Series	Tube OD (D1)	J. J. Part No	S1	L
LL Very Light	4	N 04LL	10.00	11.50
	6	N 06LL	12.00	12.00
	8	N 08LL	14.00	12.50
	10	N 10LL	17.00	12.50
	12	N 12LL	19.00	13.00
L Light	6	N 06L	14.00	15.00
	8	N 08L	17.00	15.00
	10	N 10L	19.00	16.00
	12	N 12L	22.00	16.00
	15	N 15L	27.00	17.50
	18	N 18L	32.00	18.00
	22	N 22L	36.00	20.50
	28	N 28L	41.00	21.00
	35	N 35L	50.00	24.00
42	N 42L	60.00	24.00	
S Heavy	6	N 06S	17.00	16.00
	8	N 08S	19.00	16.00
	10	N 10S	22.00	17.50
	12	N 12S	24.00	18.00
	14	N 14S	27.00	20.00
	16	N 16S	30.00	21.00
	20	N 20S	36.00	24.00
	25	N 25S	46.00	26.50
	30	N 30S	50.00	29.50
38	N 38S	60.00	32.50	

FERRULE			
Series	Tube OD (D1)	J. J. Part No	L
LL Very Light	4	F 04LL	6.00
	6	F 06LL	7.00
	8	F 08LL	7.00
	10	F 10LL	7.00
	12	F 12LL	7.50
L Light	6	F 06L	9.50
	8	F 08L	9.50
	10	F 10L	10.50
	12	F 12L	10.50
	15	F 15L	10.50
	18	F 18L	10.50
	22	F 22L	12.00
	28	F 28L	11.00
	35	F 35L	14.00
42	F 42L	14.00	
S Heavy	6	F 06S	9.50
	8	F 08S	9.50
	10	F 10S	10.50
	12	F 12S	10.50
	14	F 14S	10.00
	16	F 16S	10.50
	20	F 20S	13.00
	25	F 25S	13.50
	30	F 30S	13.50
38	F 38S	13.50	

NB : FOR INCH O.D. AND NOMINAL BORE O.D. FITTINGS KINDLY CONTACT US.

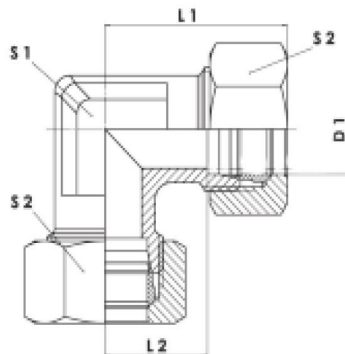
G - STRAIGHT UNION



Series	Tube OD (D1)	J. J. Part No	Pressure	S1	S2	L1	L2
LL Very Light	4	G 04LL	N.P. 100	9.00	10.00	31.00	12.00
	6	G 06LL		11.00	12.00	32.00	9.00
	8	G 08LL		12.00	14.00	35.00	12.00
	10	G 10LL		14.00	17.00	35.00	12.00
	12	G 12LL		17.00	19.00	35.00	11.00
L Light	6	G 06L	N.P. 250	12.00	14.00	39.00	10.00
	8	G 08L		14.00	17.00	40.00	11.00
	10	G 10L		17.00	19.00	42.00	13.00
	12	G 12L		19.00	22.00	43.00	14.00
	15	G 15L	N.P. 160	24.00	27.00	46.00	16.00
	18	G 18L		27.00	32.00	48.00	16.00
	22	G 22L	N.P. 100	32.00	36.00	52.00	20.00
	28	G 28L		41.00	41.00	54.00	21.00
	35	G 35L		46.00	50.00	63.00	20.00
	42	G 42L		55.00	60.00	66.00	21.00
S Heavy	6	G 06S	N.P. 630	14.00	17.00	45.00	16.00
	8	G 08S		17.00	19.00	47.00	18.00
	10	G 10S		19.00	22.00	49.00	17.00
	12	G 12S		22.00	24.00	51.00	19.00
	14	G 14S		24.00	27.00	57.00	22.00
	16	G 16S	N.P. 400	27.00	30.00	57.00	21.00
	20	G 20S		32.00	36.00	66.00	23.00
	25	G 25S		41.00	46.00	74.00	26.00
	30	G 30S	N.P. 250	46.00	50.00	80.00	27.00
	38	G 38S		55.00	60.00	90.00	29.00

NB : FOR INCH O.D. AND NOMINAL BORE O.D. FITTINGS KINDLY CONTACT US.

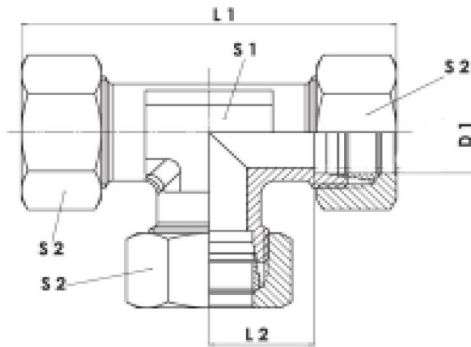
W - ELBOW UNION



Series	Tube OD (D1)	J. J. Part No	Pressure	S1	S2	L1	L2
LL Very Light	4	W 04LL	N.P. 100	9.00	10.00	21.00	11.00
	6	W 06LL		11.00	12.00	21.00	9.50
	8	W 08LL		12.00	14.00	23.00	11.50
	10	W 10LL		14.00	17.00	24.00	12.50
	12	W 12LL		17.00	19.00	25.00	13.00
L Light	6	W 06L	N.P. 250	12.00	14.00	27.00	12.00
	8	W 08L		14.00	17.00	29.00	14.00
	10	W 10L		17.00	19.00	30.00	15.00
	12	W 12L		19.00	22.00	32.00	17.00
	15	W 15L	N.P. 160	19.00	27.00	36.00	21.00
	18	W 18L		24.00	32.00	40.00	23.50
	22	W 22L	N.P. 100	27.00	36.00	44.00	27.50
	28	W 28L		36.00	41.00	47.00	30.50
	35	W 35L		41.00	50.00	56.00	34.50
	42	W 42L		50.00	60.00	63.00	40.00
S Heavy	6	W 06S	N.P. 630	14.00	17.00	31.00	16.00
	8	W 08S		17.00	19.00	32.00	17.00
	10	W 10S		19.00	22.00	34.00	17.50
	12	W 12S		20.00	24.00	38.00	21.50
	14	W 14S		22.00	27.00	40.00	22.00
	16	W 16S	N.P. 400	24.00	30.00	43.00	24.50
	20	W 20S		27.00	36.00	48.00	26.50
	25	W 25S		36.00	46.00	54.00	30.00
	30	W 30S	N.P. 250	41.00	50.00	62.00	35.50
	38	W 38S		50.00	60.00	72.00	41.00

NB : FOR INCH O.D. AND NOMINAL BORE O.D. FITTINGS KINDLY CONTACT US.

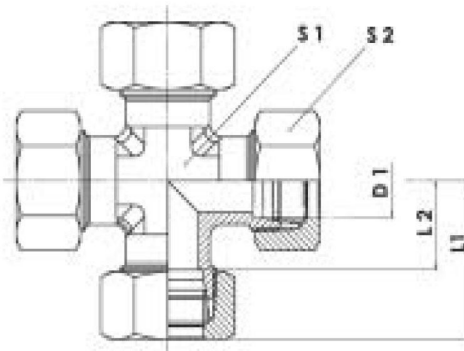
T - TEE UNION



Series	Tube OD (D1)	J. J. Part No	Pressure	S1	S2	L1	L2
LL Very Light	4	T 04LL	N.P. 100	9.00	10.00	21.00	11.00
	6	T 06LL		11.00	12.00	21.00	9.50
	8	T 08LL		12.00	14.00	23.00	11.50
	10	T 10LL		14.00	17.00	24.00	12.50
	12	T 12LL		17.00	19.00	25.00	13.00
L Light	6	T 06L	N.P. 250	12.00	14.00	27.00	12.00
	8	T 08L		14.00	17.00	29.00	14.00
	10	T 10L		17.00	19.00	30.00	15.00
	12	T 12L		19.00	22.00	32.00	17.00
	15	T 15L	19.00	27.00	36.00	21.00	
	18	T 18L	N.P. 160	24.00	32.00	40.00	23.50
	22	T 22L		27.00	36.00	44.00	27.50
	28	T 28L	N.P. 100	36.00	41.00	47.00	30.50
	35	T 35L		41.00	50.00	56.00	34.50
42	T 42L	50.00		60.00	63.00	40.00	
S Heavy	6	T 06S	N.P. 630	14.00	17.00	31.00	16.00
	8	T 08S		17.00	19.00	32.00	17.00
	10	T 10S		19.00	22.00	34.00	17.50
	12	T 12S		20.00	24.00	38.00	21.50
	14	T 14S		22.00	27.00	40.00	22.00
	16	T 16S	N.P. 400	24.00	30.00	43.00	24.50
	20	T 20S		27.00	36.00	48.00	26.50
	25	T 25S		36.00	46.00	54.00	30.00
	30	T 30S	N.P. 250	41.00	50.00	62.00	35.50
38	T 38S	50.00		60.00	72.00	41.00	

NB : FOR INCH O.D. AND NOMINAL BORE O.D. FITTINGS KINDLY CONTACT US.

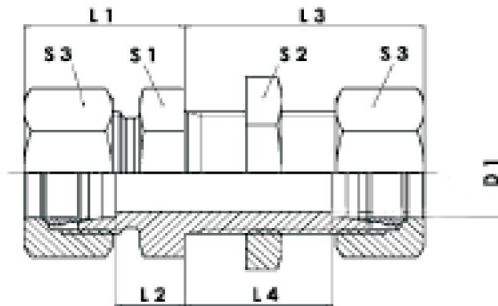
K - CROSS UNION



Series	Tube OD (D1)	J. J. Part No	Pressure	S1	S2	L1	L2
LL Very Light	4	K 04LL	N.P. 100	9.00	10.00	21.00	11.00
	6	K 06LL		9.00	12.00	21.00	9.50
	8	K 08LL		12.00	14.00	23.00	11.50
L Light	6	K 06L	N.P. 250	12.00	14.00	27.00	12.50
	8	K 08L		12.00	17.00	29.00	13.00
	10	K 10L		14.00	19.00	30.00	12.00
	12	K 12L		17.00	22.00	32.00	14.00
	15	K 15L	N.P. 160	19.00	27.00	36.00	15.00
	18	K 18L		24.00	32.00	40.00	17.00
	22	K 22L	27.00	36.00	44.00	21.00	
	28	K 28L	N.P. 100	36.00	41.00	47.00	23.50
	35	K 35L		41.00	50.00	56.00	27.50
42	K 42L	50.00		60.00	63.00	30.50	
S Heavy	6	K 06S	N.P. 630	12.00	17.00	31.00	34.50
	8	K 08S		14.00	19.00	32.00	40.00
	10	K 10S		17.00	22.00	34.00	16.00
	12	K 12S		17.00	24.00	38.00	17.00
	14	K 14S		19.00	27.00	40.00	17.50
	16	K 16S	N.P. 400	24.00	30.00	43.00	21.50
	20	K 20S		27.00	36.00	48.00	22.00
	25	K 25S		36.00	46.00	54.00	24.50
	30	K 30S	N.P. 250	41.00	50.00	62.00	26.50
	38	K 38S		50.00	60.00	72.00	30.00

NB : FOR INCH O.D. AND NOMINAL BORE O.D. FITTINGS KINDLY CONTACT US.

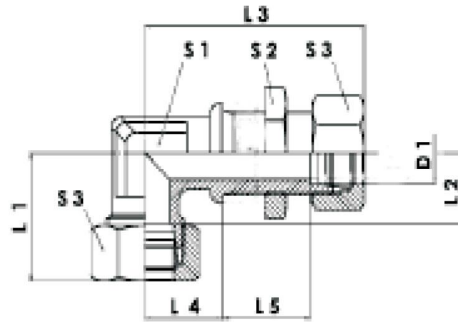
SV - BULKHEAD UNION



Series	Tube OD (D1)	J. J. Part No	Pressure	S1	S2	S3	L1	L2	L3	L4	
L Light	6	SV 06L	N.P. 250	17.00	17.00	14.00	22.00	7.00	42.00	27.00	
	8	SV 08L		19.00	19.00	17.00	23.00	8.00	42.00	27.00	
	10	SV 10L		22.00	22.00	19.00	25.00	10.00	43.00	28.00	
	12	SV 12L		24.00	24.00	22.00	25.00	10.00	44.00	29.00	
	15	SV 15L		27.00	30.00	27.00	27.00	12.00	46.00	31.00	
	18	SV 18L	N.P. 160	32.00	36.00	32.00	30.00	13.50	49.00	32.50	
	22	SV 22L		36.00	41.00	36.00	33.00	16.50	51.00	34.50	
	S Heavy	6	SV 06S	N.P. 630	19.00	19.00	17.00	27.00	12.00	44.00	29.00
		8	SV 08S		22.00	22.00	19.00	28.00	13.00	44.00	29.00
		10	SV 10S		24.00	24.00	22.00	31.00	14.50	46.00	29.50
12		SV 12S	27.00		27.00	24.00	31.00	14.50	47.00	30.50	
14		SV 14S	30.00		30.00	27.00	35.00	17.00	50.00	32.00	
16		SV 16S	N.P. 400	32.00	32.00	30.00	35.00	16.50	50.00	31.50	
20		SV 20S		41.00	41.00	36.00	39.00	17.50	55.00	33.50	
25		SV 25S		46.00	46.00	46.00	44.00	20.00	59.00	35.00	
30		SV 30S	N.P. 250	50.00	50.00	50.00	48.00	21.50	64.00	37.50	
		38		SV 38S	65.00	65.00	60.00	53.00	22.00	68.00	37.00

NB : FOR INCH O.D. AND NOMINAL BORE O.D. FITTINGS KINDLY CONTACT US.

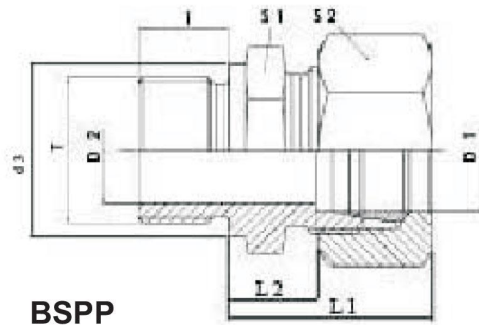
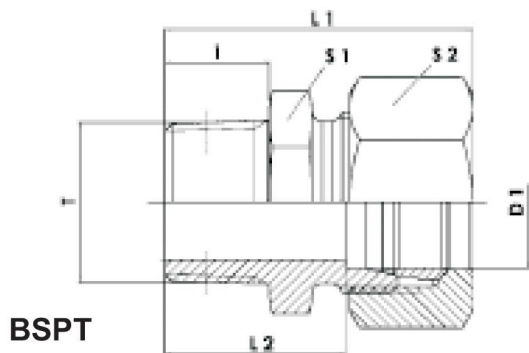
WSV - BULKHEAD UNION ELBOW



Series	Tube OD (D1)	J. J. Part No.	Pressure	S3	S1	S2	L1	L2	L3	L5	L4	d2
L Light	6	WSV 06L	N.P. 250	14.00	12.00	17.00	27.00	12.00	42.00	27.00	14.00	17.00
	8	WSV 08L		17.00	12.00	19.00	29.00	14.00	42.00	27.00	17.00	19.00
	10	WSV 10L		19.00	14.00	22.00	30.00	15.00	43.00	28.00	18.00	22.00
	12	WSV 12L		22.00	17.00	24.00	32.00	17.00	44.00	29.00	20.00	24.00
	15	WSV 15L		27.00	19.00	30.00	36.00	21.00	46.00	31.00	23.00	27.00
	18	WSV 18L	N.P. 160	32.00	24.00	36.00	40.00	23.50	49.00	32.50	24.00	32.00
	22	WSV 22L		36.00	27.00	41.00	44.00	27.50	51.00	34.50	30.00	36.00
	28	WSV 28L	N.P. 100	41.00	36.00	46.00	47.00	30.50	52.00	35.50	34.00	42.00
	35	WSV 35L		50.00	41.00	55.00	56.00	34.50	58.00	36.50	39.00	50.00
42	WSV 42L	60.00		50.00	65.00	63.00	40.00	59.00	36.00	43.00	60.00	
S Heavy	6	WSV 06S	N.P. 630	17.00	12.00	19.00	31.00	16.00	44.00	29.00	17.00	19.00
	8	WSV 08S		19.00	14.00	22.00	32.00	17.00	44.00	29.00	18.00	22.00
	10	WSV 10S		22.00	17.00	24.00	34.00	17.50	46.00	29.50	20.00	24.00
	12	WSV 12S		24.00	17.00	27.00	38.00	21.50	47.00	30.50	21.00	27.00
	14	WSV 14S		27.00	19.00	30.00	40.00	22.00	50.00	32.00	23.00	27.00
	16	WSV 16S	N.P. 400	30.00	24.00	32.00	43.00	24.50	50.00	31.50	24.00	30.00
	20	WSV 20S		36.00	27.00	41.00	48.00	26.50	55.00	33.50	30.00	36.00
	25	WSV 25S		46.00	36.00	46.00	54.00	30.00	59.00	35.00	34.00	42.00
	30	WSV 30S	N.P. 250	50.00	41.00	50.00	62.00	35.50	64.00	37.50	39.00	50.00
	38	WSV 38S		60.00	50.00	65.00	72.00	41.00	68.00	37.00	43.00	60.00

NB : FOR INCH O.D. AND NOMINAL BORE O.D. FITTINGS KINDLY CONTACT US.

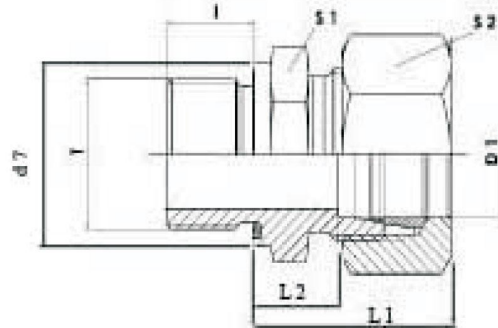
GE - MALE CONNECTOR



Series	Tube OD (D1)	J. J. Part No.	Male Thread T	Pressure	S1	S2	L1	L2	I	d3
LL Very Light	4	GE 04LLR	1/8" Taper	N.P. 100	11.00	10.00	26.00	16.00	8.00	-
	6	GE 06LLR	1/8" Taper		11.00	12.00	26.00	14.50	8.00	-
	8	GE 08LLR	1/8" Taper		12.00	14.00	28.00	16.50	8.00	-
	10	GE 10LLR	1/4" Taper		14.00	17.00	32.00	21.50	12.00	-
	12	GE 12LLR	1/4" Taper		17.00	19.00	32.00	20.00	12.00	-
L Light	6	GE 06LR	1/8"	N.P. 250	14.00	14.00	23.00	8.50	8.00	14.00
	8	GE 08LR	1/4"		19.00	17.00	25.00	10.00	12.00	18.00
	10	GE 10LR	1/4"		19.00	19.00	26.00	11.50	12.00	18.00
	12	GE 12LR	3/8"		22.00	22.00	27.00	12.50	12.00	22.00
	15	GE 15LR	1/2"	27.00	27.00	29.00	14.00	14.00	26.00	
	18	GE 18LR	1/2"	N.P. 160	27.00	32.00	31.00	14.50	14.00	26.00
	22	GE 22LR	3/4"		32.00	36.00	33.00	16.50	16.00	32.00
	28	GE 28LR	1"	N.P. 100	41.00	41.00	34.00	17.50	18.00	39.00
	35	GE 35LR	1 1/4"		50.00	50.00	39.00	17.50	20.00	49.00
42	GE 42LR	1 1/2"	55.00		60.00	42.00	19.00	22.00	55.00	
S Heavy	6	GE 06SR	1/4"	N.P. 630	19.00	17.00	28.00	13.00	12.00	18.00
	8	GE 08SR	1/4"		19.00	19.00	30.00	15.00	12.00	18.00
	10	GE 10SR	3/8"		22.00	22.00	31.00	15.00	12.00	22.00
	12	GE 12SR	3/8"		22.00	24.00	33.00	17.00	12.00	22.00
	14	GE 14SR	1/2"		27.00	27.00	37.00	19.00	14.00	26.00
	16	GE 16SR	1/2"	N.P. 400	27.00	30.00	37.00	18.50	14.00	26.00
	20	GE 20SR	3/4"		32.00	36.00	42.00	20.50	16.00	32.00
	25	GE 25SR	1"		41.00	46.00	47.00	23.00	18.00	39.00
	30	GE 30SR	1 1/4"	N.P. 250	50.00	50.00	50.00	23.50	20.00	49.00
38	GE 38SR	1 1/2"	55.00		60.00	57.00	26.00	22.00	55.00	

NB : FOR INCH O.D. AND NOMINAL BORE O.D. FITTINGS KINDLY CONTACT US.

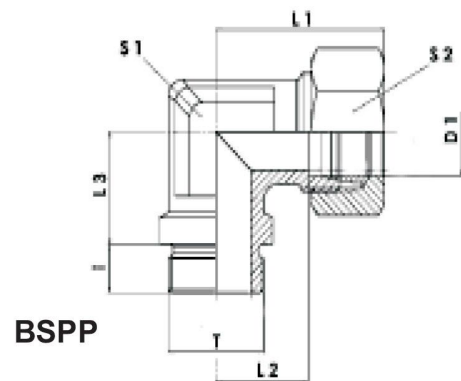
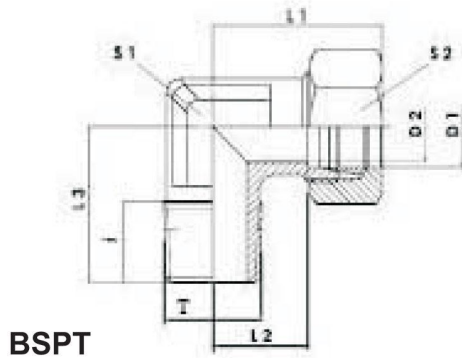
GE - MALE CONNECTOR WITH ELASTOMERIC SEAL



Series	Tube OD (D1)	J. J. Part No.	Male BSPP Thread T	Pressure	S1	S2	L1	L2	I	d7
L Light	6	GE 06LR-ed	1/8"	N.P. 250	14.00	14.00	23.00	8.50	8.00	14.00
	8	GE 08LR-ed	1/4"		19.00	17.00	25.00	10.00	12.00	19.00
	10	GE 10LR-ed	1/4"		19.00	19.00	26.00	11.00	12.00	19.00
	12	GE 12LR-ed	3/8"		22.00	22.00	27.00	12.50	12.00	22.00
	15	GE 15LR-ed	1/2"	27.00	27.00	29.00	14.00	14.00	27.00	
	18	GE 18LR-ed	1/2"	N.P. 160	27.00	32.00	31.00	14.50	14.00	27.00
	22	GE 22LR-ed	3/4"		32.00	36.00	33.00	16.50	16.00	32.00
	28	GE 28LR-ed	1"	N.P. 100	41.00	41.00	34.00	17.50	18.00	40.00
	35	GE 35LR-ed	1 1/4"		50.00	50.00	39.00	17.50	20.00	40.00
42	GE 42LR-ed	1 1/2"	55.00		60.00	42.00	19.00	22.00	55.00	
S Heavy	6	GE 06SR-ed	1/4"	N.P. 630	19.00	17.00	28.00	13.00	12.00	19.00
	8	GE 08SR-ed	1/4"		19.00	19.00	30.00	15.00	12.00	19.00
	10	GE 10SR-ed	3/8"		22.00	22.00	31.00	15.00	12.00	22.00
	12	GE 12SR-ed	3/8"		22.00	24.00	33.00	17.00	12.00	22.00
	14	GE 14SR-ed	1/2"	27.00	27.00	37.00	19.00	14.00	27.00	
	16	GE 16SR-ed	1/2"	N.P. 400	27.00	30.00	37.00	18.50	14.00	27.00
	20	GE 20SR-ed	3/4"		32.00	36.00	42.00	20.50	16.00	32.00
	25	GE 25SR-ed	1"		41.00	46.00	47.00	23.00	18.00	40.00
	30	GE 30SR-ed	1 1/4"	N.P. 250	50.00	50.00	50.00	23.50	20.00	50.00
38	GE 38SR-ed	1 1/2"	55.00		60.00	57.00	26.00	22.00	55.00	

NB : FOR INCH O.D. AND NOMINAL BORE O.D. FITTINGS KINDLY CONTACT US.

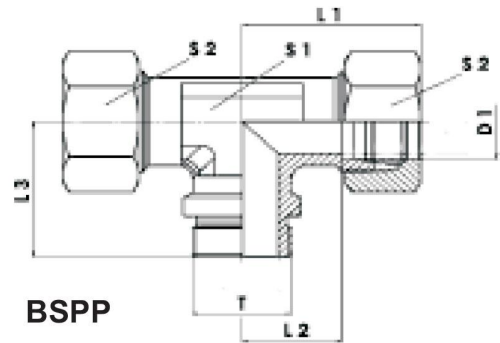
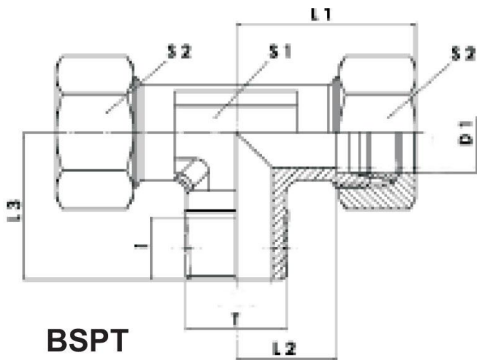
WE - MALE ELBOW



Series	Tube OD (D1)	J. J. Part No.	Male Thread T	Pressure	S2	S1	L1	L2	I	L3	
LL Very Light	4	WE 04LLR	1/8" Taper	N.P. 100	10.00	11.00	21.00	11.00	8.00	17.00	
	6	WE 06LLR	1/8" Taper		12.00	11.00	21.00	9.50	8.00	17.00	
	8	WE 08LLR	1/8" Taper		14.00	12.00	23.00	11.50	8.00	20.00	
	10	WE 10LLR	1/4" Taper		17.00	14.00	24.00	12.50	12.00	23.00	
	12	WE 12LLR	1/4" Taper		19.00	17.00	25.00	13.00	12.00	23.00	
L Light	6	WE 06LR	1/8" Taper	N.P. 250	14.00	12.00	27.00	12.00	8.00	20.00	
	8	WE 08LR	1/4" Taper		17.00	14.00	29.00	14.00	12.00	26.00	
	10	WE 10LR	1/4" Taper		19.00	17.00	30.00	15.00	12.00	27.00	
	12	WE 12LR	3/8" Taper		22.00	19.00	32.00	17.00	12.00	28.00	
	15	WE 15LR	1/2" Taper	N.P. 160	27.00	19.00	36.00	21.00	14.00	34.00	
	18	WE 18LR	1/2" Taper		32.00	24.00	40.00	23.50	14.00	36.00	
	22	WE 22LR	3/4" Taper		36.00	27.00	44.00	27.50	16.00	26.00	
	28	WE 28LR	1" Taper		N.P. 100	41.00	36.00	47.00	30.50	18.00	30.00
	35	WE 35LR	1 1/4" Taper			50.00	41.00	56.00	34.50	20.00	34.00
42	WE 42LR	1 1/2" Taper		60.00	50.00	63.00	40.00	22.00	39.00		
S Heavy	6	WE 06SR	1/4" Taper	N.P. 630	17.00	14.00	31.00	16.00	12.00	26.00	
	8	WE 08SR	1/4" Taper		19.00	17.00	32.00	17.00	12.00	27.00	
	10	WE 10SR	3/8" Taper		22.00	19.00	34.00	17.50	12.00	28.00	
	12	WE 12SR	3/8" Taper		24.00	20.00	38.00	21.50	12.00	28.00	
	14	WE 14SR	1/2" Taper	N.P. 400	27.00	22.00	40.00	22.00	14.00	32.00	
	16	WE 16SR	1/2" Taper		30.00	24.00	43.00	24.50	14.00	32.00	
	20	WE 20SR	3/4" Taper		36.00	27.00	48.00	26.50	16.00	26.00	
	25	WE 25SR	1" Taper		46.00	36.00	54.00	30.00	18.00	30.00	
	30	WE 30SR	1 1/4" Taper		N.P. 250	50.00	41.00	62.00	35.50	20.00	34.00
38	WE 38SR	1 1/2" Taper	60.00	50.00		72.00	41.00	22.00	39.00		

NB : FOR INCH O.D. AND NOMINAL BORE O.D. FITTINGS KINDLY CONTACT US.

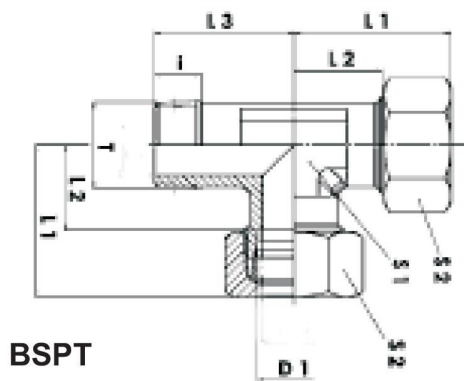
TE - MALE BRANCH TEE



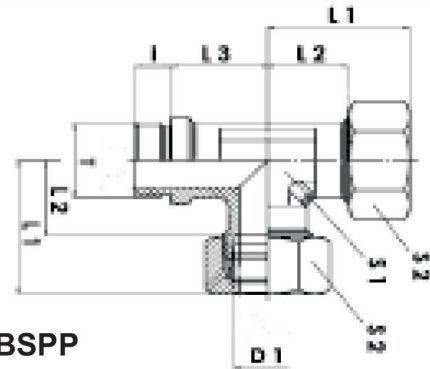
Series	Tube OD (D1)	J. J. Part No.	Male Thread T	Pressure	S2	S1	L1	L2	I	L3	
LL Very Light	4	TE 04LLR	1/8" Taper	N.P. 100	10.00	11.00	21.00	11.00	8.00	17.00	
	6	TE 06LLR	1/8" Taper		12.00	11.00	21.00	9.50	8.00	17.00	
	8	TE 08LLR	1/8" Taper		14.00	12.00	23.00	11.50	8.00	20.00	
	10	TE 10LLR	1/4" Taper		17.00	14.00	24.00	12.50	12.00	23.00	
	12	TE 12LLR	1/4" Taper		19.00	17.00	25.00	13.00	12.00	23.00	
L Light	6	TE 06LR	1/8" Taper	N.P. 250	14.00	12.00	27.00	12.00	8.00	20.00	
	8	TE 08LR	1/4" Taper		17.00	14.00	29.00	14.00	12.00	26.00	
	10	TE 10LR	1/4" Taper		19.00	17.00	30.00	15.00	12.00	27.00	
	12	TE 12LR	3/8" Taper		22.00	19.00	32.00	17.00	12.00	28.00	
	15	TE 15LR	1/2" Taper	N.P. 160	27.00	19.00	36.00	21.00	14.00	34.00	
	18	TE 18LR	1/2" Taper		32.00	24.00	40.00	23.50	14.00	36.00	
	22	TE 22LR	3/4"		36.00	27.00	44.00	27.50	16.00	26.00	
	28	TE 28LR	1"	N.P. 100	41.00	36.00	47.00	30.50	18.00	30.00	
	35	TE 35LR	1 1/4"		50.00	41.00	56.00	34.50	20.00	34.00	
42	TE 42LR	1 1/2"	60.00		50.00	63.00	40.00	22.00	39.00		
S Heavy	6	TE 06SR	1/4" Tapper	N.P. 630	17.00	14.00	31.00	16.00	12.00	26.00	
	8	TE 08SR	1/4" Tapper		19.00	17.00	32.00	17.00	12.00	27.00	
	10	TE 10SR	3/8" Tapper		22.00	19.00	34.00	17.50	12.00	28.00	
	12	TE 12SR	3/8" Tapper		24.00	20.00	38.00	21.50	12.00	28.00	
	14	TE 14SR	1/2" Tapper	N.P. 400	27.00	22.00	40.00	22.00	14.00	32.00	
	16	TE 16SR	1/2" Tapper		30.00	24.00	43.00	24.50	14.00	32.00	
	20	TE 20SR	3/4"		36.00	27.00	48.00	26.50	16.00	26.00	
	25	TE 25SR	1"		46.00	36.00	54.00	30.00	18.00	30.00	
	30	TE 30SR	1 1/4"		N.P. 250	50.00	41.00	62.00	35.50	20.00	34.00
	38	TE 38SR	1 1/2"			60.00	50.00	72.00	41.00	22.00	39.00

NB : FOR INCH O.D. AND NOMINAL BORE O.D. FITTINGS KINDLY CONTACT US.

LE - MALE RUN TEE



BSPT

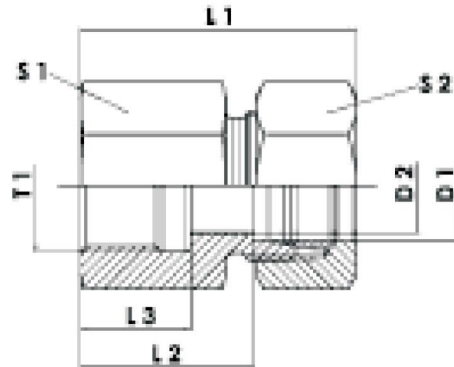


BSPP

Series	Tube OD (D1)	J. J. Part No.	Male BSPP Thread T	Pressure	S2	S1	L1	L2	L3	I3
LL Very Light	4	LE 04LLR	1/8" Taper	N.P. 100	10.00	11.00	21.00	11.00	8.00	17.00
	6	LE 06LLR	1/8" Taper		12.00	11.00	21.00	9.50	8.00	17.00
	8	LE 08LLR	1/8" Taper		14.00	12.00	23.00	11.50	8.00	20.00
L Light	6	LE 06LR	1/8" Taper	N.P. 250	14.00	12.00	27.00	12.00	8.00	20.00
	8	LE 08LR	1/4" Taper		17.00	14.00	29.00	14.00	12.00	26.00
	10	LE 10LR	1/4" Taper		19.00	17.00	30.00	15.00	12.00	27.00
	12	LE 12LR	3/8" Taper		22.00	19.00	32.00	17.00	12.00	28.00
	15	LE 15LR	1/2" Taper	27.00	19.00	36.00	21.00	14.00	34.00	
	18	LE 18LR	1/2" Taper	N.P. 160	32.00	24.00	40.00	23.50	14.00	36.00
	22	LE 22LR	3/4"		36.00	27.00	44.00	27.50	16.00	26.00
	28	LE 28LR	1"	N.P. 100	41.00	36.00	47.00	30.50	18.00	30.00
	35	LE 35LR	1 1/4"		50.00	41.00	56.00	34.50	20.00	34.00
42	LE 42LR	1 1/2"	60.00		50.00	63.00	40.00	22.00	39.00	
S Heavy	6	LE 06SR	1/4" Taper	N.P. 630	17.00	14.00	31.00	16.00	12.00	26.00
	8	LE 08SR	1/4" Taper		19.00	17.00	32.00	17.00	12.00	27.00
	10	LE 10SR	3/8" Taper		22.00	19.00	34.00	17.50	12.00	28.00
	12	LE 12SR	3/8" Taper		24.00	20.00	38.00	21.50	12.00	28.00
	14	LE 14SR	1/2" Taper		27.00	22.00	40.00	22.00	14.00	32.00
	16	LE 16SR	1/2" Taper	N.P. 400	30.00	24.00	43.00	24.50	14.00	32.00
	20	LE 20SR	3/4"		36.00	27.00	48.00	26.50	16.00	26.00
	25	LE 25SR	1"		46.00	36.00	54.00	30.00	18.00	30.00
	30	LE 30SR	1 1/4"	N.P. 250	50.00	41.00	62.00	35.50	20.00	34.00
38	LE 38SR	1 1/2"	60.00		50.00	72.00	41.00	22.00	39.00	

NB : FOR INCH O.D. AND NOMINAL BORE O.D. FITTINGS KINDLY CONTACT US.

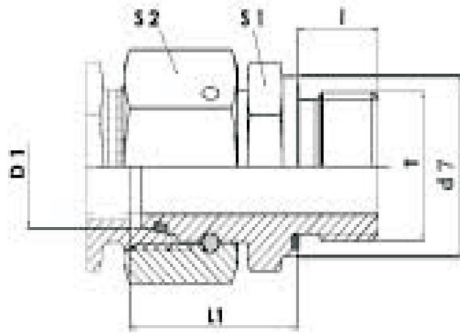
GAI - FEMALE CONNECTOR



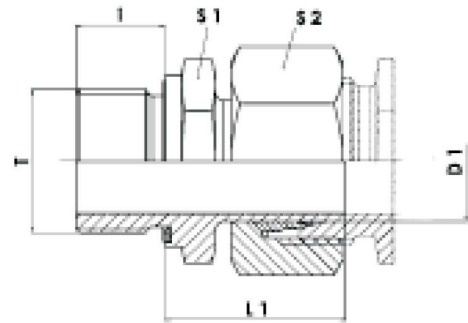
Series	Tube OD (D1)	J. J. Part No.	Female BSSP Thread T1	Pressure	D2	L1	L2	L3	S1	S2
L Light	6	GAI 06LR	1/8"	N.P. 250	4.00	34.00	19.00	12.00	14.00	14.00
	8	GAI 08LR	1/4"		6.00	39.00	24.00	17.00	19.00	17.00
	10	GAI 10LR	1/4"		8.00	40.00	25.00	17.00	19.00	19.00
	12	GAI 12LR	3/8"		10.00	41.00	26.00	17.00	24.00	22.00
	15	GAI 15LR	1/2"		12.00	46.00	31.00	20.00	27.00	27.00
	18	GAI 18LR	1/2"	N.P. 160	15.00	47.00	30.50	20.00	27.00	32.00
	22	GAI 22LR	3/4"		19.00	52.00	35.40	22.00	36.00	36.00
	28	GAI 28LR	1"	N.P. 100	24.00	55.00	38.00	24.50	41.00	41.00
	35	GAI 35LR	1 1/4"		30.00	63.00	41.00	26.50	55.00	50.00
	42	GAI 42LR	1 1/2"		36.00	65.00	42.50	28.50	60.00	60.00
S Heavy	6	GAI 06SR	1/4"	N.P. 630	4.00	41.00	26.00	17.00	19.00	17.00
	8	GAI 08SR	1/4"		5.00	41.00	26.00	17.00	19.00	19.00
	10	GAI 10SR	3/8"		7.00	43.00	26.50	17.00	24.00	22.00
	12	GAI 12SR	3/8"		8.00	43.00	26.50	17.00	24.00	24.00
	14	GAI 14SR	1/2"		10.00	50.00	32.00	20.00	30.00	27.00
	16	GAI 16SR	1/2"	N.P. 400	12.00	50.00	31.50	20.00	30.00	30.00
	20	GAI 20SR	3/4"		16.00	56.00	34.50	22.00	36.00	36.00
	25	GAI 25SR	1"	N.P. 250	20.00	62.00	37.50	24.50	41.00	46.00
	30	GAI 30SR	1 1/4"		25.00	69.00	42.00	26.50	55.00	50.00
	38	GAI 38SR	1 1/2"		32.00	74.00	43.50	28.50	60.00	60.00

NB : FOR INCH O.D. AND NOMINAL BORE O.D. FITTINGS KINDLY CONTACT US.

EVGE - SWIVEL CONNECTOR



O RING SWIVEL



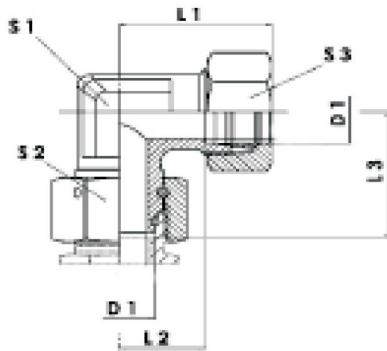
FERRULE SWIVEL

Series	Tube OD (D1)	J. J. Part No.	Male BSPP Thread T	Pressure	S1	S2	L1	I	d7	
L Light	6	EVGE 06LR-ed	1/8"	N.P. 250	14.00	14.00	24.50	8.00	14.00	
	8	EVGE 08LR-ed	1/4"		19.00	17.00	29.50	12.00	19.00	
	10	EVGE 10LR-ed	1/4"		19.00	19.00	27.50	12.00	19.00	
	12	EVGE 12LR-ed	3/8"		22.00	22.00	34.00	12.00	22.00	
	15	EVGE 15LR-ed	1/2"	N.P. 160	27.00	27.00	32.00	14.00	27.00	
	18	EVGE 18LR-ed	1/2"		27.00	32.00	31.50	14.00	27.00	
	22	EVGE 22LR-ed	3/4"		32.00	36.00	32.50	16.00	32.00	
	28	EVGE 28LR-ed	1"		N.P. 100	41.00	41.00	35.00	18.00	40.00
	35	EVGE 35LR-ed	1 1/4"			50.00	50.00	42.50	20.00	50.00
42	EVGE 42LR-ed	1 1/2"	55.00	60.00		46.50	22.00	55.00		
S Heavy	6	EVGE 06SR-ed	1/4"	N.P. 630	19.00	17.00	27.00	12.00	19.00	
	8	EVGE 08SR-ed	1/4"		19.00	19.00	29.50	12.00	19.00	
	10	EVGE 10SR-ed	3/8"		22.00	22.00	32.00	12.00	22.00	
	12	EVGE 12SR-ed	3/8"		22.00	24.00	34.00	12.00	22.00	
	14	EVGE 14SR-ed	1/2"		27.00	27.00	36.50	14.00	27.00	
	16	EVGE 16SR-ed	1/2"	N.P. 400	27.00	30.00	37.00	14.00	27.00	
	20	EVGE 20SR-ed	3/4"		32.00	36.00	43.00	16.00	32.00	
	25	EVGE 25SR-ed	1"		41.00	46.00	48.00	18.00	40.00	
	30	EVGE 30SR-ed	1 1/4"		N.P. 250	50.00	50.00	51.00	20.00	50.00
38	EVGE 38SR-ed	1 1/2"	55.00	60.00		60.00	22.00	55.00		

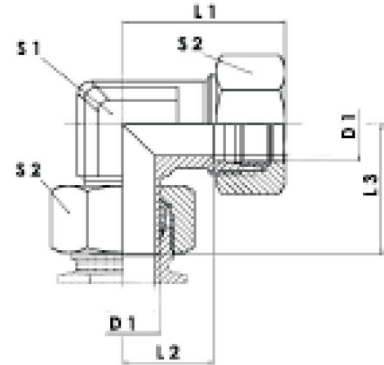
NB :- FOR FERRULE SWIVEL MENTION 'F' AT END OF PART NO & FOR ORING GROOVE SWIVEL MENTION 'O' AT END OF PART NO

NB : FOR INCH O.D. AND NOMINAL BORE O.D. FITTINGS KINDLY CONTACT US.

EVW - SWIVEL ELBOW



O RING SWIVEL



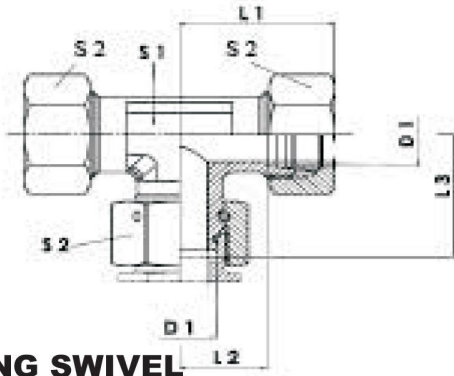
FERRULE SWIVEL

Series	Tube OD (D1)	J. J. Part No.	Pressure	S1	S2	L1	L2	L3	D1
L Light	6	EVW 06LR	N.P. 250	12.00	14.00	27.00	12.00	26.00	6.00
	8	EVW 08LR		12.00	17.00	29.00	14.00	27.50	8.00
	10	EVW 10LR		14.00	19.00	30.00	15.00	29.00	10.00
	12	EVW 12LR		17.00	22.00	32.00	17.00	30.50	12.00
	15	EVW 15LR	N.P. 160	19.00	27.00	36.00	21.00	33.50	15.00
	18	EVW 18LR		24.00	32.00	40.00	23.50	36.00	18.00
	22	EVW 22LR		27.00	36.00	44.00	27.50	39.00	22.00
	28	EVW 28LR	N.P. 100	36.00	41.00	47.00	30.50	43.50	28.00
	35	EVW 35LR		41.00	50.00	56.00	34.50	54.50	35.00
42	EVW 42LR	50.00		60.00	63.00	40.00	60.00	42.00	
S Heavy	6	EVW 06SR	N.P. 630	12.00	17.00	31.00	16.00	27.00	6.00
	8	EVW 08SR		14.00	19.00	32.00	17.00	29.00	8.00
	10	EVW 10SR		17.00	22.00	4.00	17.50	32.00	10.00
	12	EVW 12SR		17.00	24.00	38.00	21.50	33.00	12.00
	14	EVW 14SR	N.P. 400	19.00	27.00	40.00	22.00	36.00	14.00
	16	EVW 16SR		24.00	30.00	43.00	24.50	37.50	16.00
	20	EVW 20SR		27.00	36.00	48.00	26.50	44.50	20.00
	25	EVW 25SR	N.P. 250	36.00	46.00	54.00	30.00	50.50	25.00
	30	EVW 30SR		41.00	50.00	62.00	35.50	56.50	30.00
38	EVW 38SR	50.00		60.00	72.00	41.00	67.50	38.00	

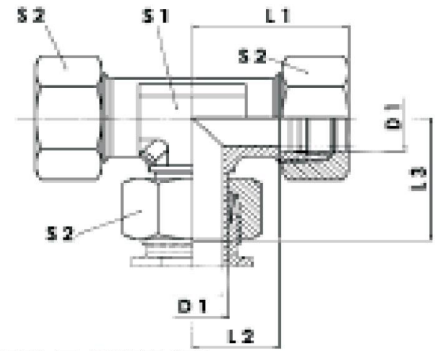
NB :- FOR FERRULE SWIVEL MENTION 'F' AT END OF PART NO & FOR ORING GROOVE SWIVEL MENTION 'O' AT END OF PART NO

NB : FOR INCH O.D. AND NOMINAL BORE O.D. FITTINGS KINDLY CONTACT US.

EVT - SWIVEL BRANCH TEE



O RING SWIVEL



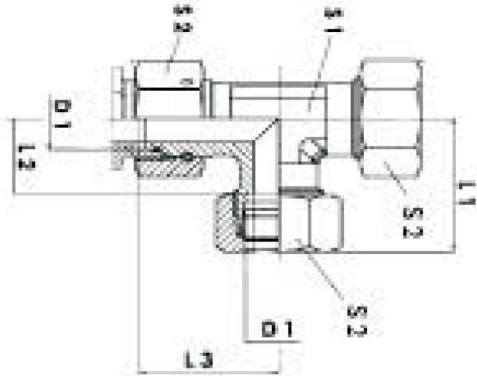
FERRULE SWIVEL

Series	Tube OD (D1)	J. J. Part No.	Pressure	S1	S2	L1	L2	L3	D1
L Light	6	EVT 06LR	N.P. 250	12.00	14.00	27.00	12.00	26.00	6.00
	8	EVT 08LR		12.00	17.00	29.00	14.00	27.50	8.00
	10	EVT 10LR		14.00	19.00	30.00	15.00	29.00	10.00
	12	EVT 12LR		17.00	22.00	32.00	17.00	30.50	12.00
	15	EVT 15LR		19.00	27.00	36.00	21.00	33.50	15.00
	18	EVT 18LR	N.P. 160	24.00	32.00	40.00	23.50	36.00	18.00
	22	EVT 22LR		27.00	36.00	44.00	27.50	39.00	22.00
	28	EVT 28LR	N.P. 100	36.00	41.00	47.00	30.50	43.50	28.00
	35	EVT 35LR		41.00	50.00	56.00	34.50	54.50	35.00
	42	EVT 42LR		50.00	60.00	63.00	40.00	60.00	42.00
S Heavy	6	EVT 06SR	N.P. 630	12.00	17.00	31.00	16.00	27.00	6.00
	8	EVT 08SR		14.00	19.00	32.00	17.00	29.00	8.00
	10	EVT 10SR		17.00	22.00	4.00	17.50	32.00	10.00
	12	EVT 12SR		17.00	24.00	38.00	21.50	33.00	12.00
	14	EVT 14SR		19.00	27.00	40.00	22.00	36.00	14.00
	16	EVT 16SR	N.P. 400	24.00	30.00	43.00	24.50	37.50	16.00
	20	EVT 20SR		27.00	36.00	48.00	26.50	44.50	20.00
	25	EVT 25SR		36.00	46.00	54.00	30.00	50.50	25.00
	30	EVT 30SR	N.P. 250	41.00	50.00	62.00	35.50	56.50	30.00
	38	EVT 38SR		50.00	60.00	72.00	41.00	67.50	38.00

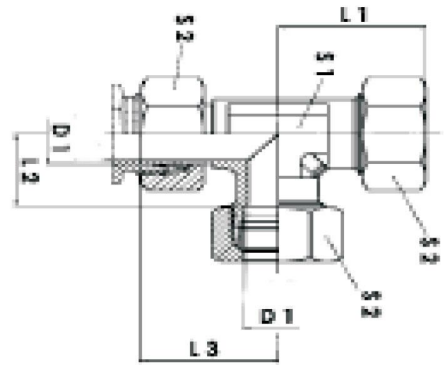
NB :- FOR FERRULE SWIVEL MENTION 'F' AT END OF PART NO & FOR ORING GROOVE SWIVEL MENTION 'O' AT END OF PART NO

NB : FOR INCH O.D. AND NOMINAL BORE O.D. FITTINGS KINDLY CONTACT US.

EVL- SWIVEL RUN TEE



O RING SWIVEL



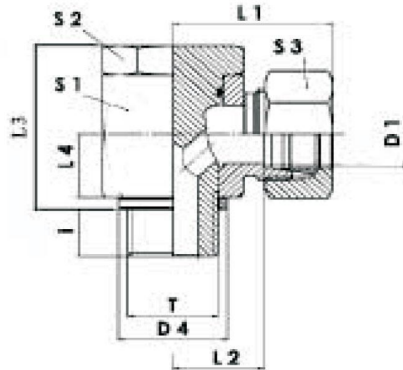
FERRULE SWIVEL

Series	Tube OD (D1)	J. J. Part No.	Pressure	S1	S2	L1	L2	L3	D1
L Light	6	EVL 06LR	N.P. 250	12.00	14.00	27.00	12.00	26.00	6.00
	8	EVL 08LR		12.00	17.00	29.00	14.00	27.50	8.00
	10	EVL 10LR		14.00	19.00	30.00	15.00	29.00	10.00
	12	EVL 12LR		17.00	22.00	32.00	17.00	30.50	12.00
	15	EVL 15LR		19.00	27.00	36.00	21.00	33.50	15.00
	18	EVL 18LR	N.P. 160	24.00	32.00	40.00	23.50	36.00	18.00
	22	EVL 22LR	N.P. 100	27.00	36.00	44.00	27.50	39.00	22.00
	28	EVL 28LR		36.00	41.00	47.00	30.50	43.50	28.00
	35	EVL 35LR		41.00	50.00	56.00	34.50	54.50	35.00
	42	EVL 42LR		50.00	60.00	63.00	40.00	60.00	42.00
S Heavy	6	EVL 06SR	N.P. 630	12.00	17.00	31.00	16.00	27.00	6.00
	8	EVL 08SR		14.00	19.00	32.00	17.00	29.00	8.00
	10	EVL 10SR		17.00	22.00	4.00	17.50	32.00	10.00
	12	EVL 12SR		17.00	24.00	38.00	21.50	33.00	12.00
	14	EVL 14SR		19.00	27.00	40.00	22.00	36.00	14.00
	16	EVL 16SR	N.P. 400	24.00	30.00	43.00	24.50	37.50	16.00
	20	EVL 20SR		27.00	36.00	48.00	26.50	44.50	20.00
	25	EVL 25SR		36.00	46.00	54.00	30.00	50.50	25.00
	30	EVL 30SR	N.P. 250	41.00	50.00	62.00	35.50	56.50	30.00
	38	EVL 38SR		50.00	60.00	72.00	41.00	67.50	38.00

NB :- FOR FERRULE SWIVEL MENTION 'F' AT END OF PART NO & FOR ORING GROOVE SWIVEL MENTION 'O' AT END OF PART NO

NB : FOR INCH O.D. AND NOMINAL BORE O.D. FITTINGS KINDLY CONTACT US.

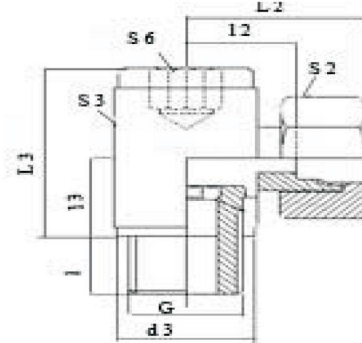
SWVE - BENJO ELBOW



Series	Tube OD (D1)	J. J. Part No.	Male BSPP Thread T	Pressure	L1	L2	L4	d4	S3	I	L3	S1	S2
LL Very Light	4	SWVE 04LLR	1/8"	N.P. 40	21.00	11.50	10.00	14.50	10.00	6.00	21.00	14.00	14.00
	6	SWVE 06LLR	1/8"		22.00	10.00	10.00	14.50	12.00	6.00	21.00	14.00	14.00
	8	SWVE 08LLR	1/8"		23.00	11.00	10.00	14.50	14.00	6.00	21.00	14.00	14.00
L Light	6	SWVE 06LR	1/8"	N.P. 100	25.00	10.50	10.00	14.50	14.00	6.00	21.00	14.00	14.00
	8	SWVE 08LR	1/4"		28.00	13.00	13.00	18.50	17.00	9.00	27.00	19.00	19.00
	10	SWVE 10LR	1/4"		29.00	14.00	13.00	18.50	19.00	9.00	27.00	19.00	19.00
	12	SWVE 12LR	3/8"		30.00	15.50	15.00	22.50	22.00	9.00	32.00	22.00	22.00
	15	SWVE 15LR	1/2"		34.00	19.00	18.00	26.50	27.00	11.00	37.00	27.00	27.00
	18	SWVE 18LR	1/2" Packing Ring		37.00	20.50	21.50	26.00	32.00	11.00	44.00	30.00	27.00
S Heavy	6	SWVE 06SR	1/4"	N.P. 160	30.00	15.00	13.00	18.50	17.00	9.00	27.00	19.00	19.00
	8	SWVE 08SR	1/4"		30.00	15.00	13.00	18.50	19.00	9.00	27.00	19.00	19.00
	10	SWVE 10SR	3/8"		32.00	16.00	15.00	22.50	22.00	9.00	32.00	22.00	22.00
	12	SWVE 12SR	3/8"		33.00	17.00	18.00	22.50	24.00	9.00	37.00	24.00	24.00
	14	SWVE 14SR	1/2"		38.00	20.00	18.00	26.50	27.00	11.00	37.00	27.00	27.00
	16	SWVE 16SR	1/2" Packing Ring		40.00	21.50	21.50	26.00	30.00	11.00	44.00	30.00	27.00
	20	SWVE 20SR	3/4" Packing Ring		46.00	24.50	24.00	32.00	36.00	13.00	49.00	36.00	32.00

NB : FOR INCH O.D. AND NOMINAL BORE O.D. FITTINGS KINDLY CONTACT US.

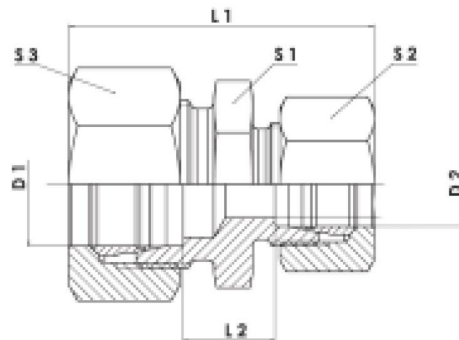
DSWV - THROTTLE FREE BENJO ELBOW



Series	Tube OD	J . J. Part No.	Male BSPP Thread G	Pressure	L2	I2	L3	I3	S2	S3	S6	d3	I
L Light	6	DSVW 06LR	1/8"	N.P. 250	27.00	12.50	24.00	12.00	14.00	18.00	6.00	14.00	8.00
	8	DSVW 08LR	1/4"		29.00	14.50	30.00	16.00	17.00	22.00	8.00	18.00	12.00
	10	DSVW 10LR	1/4"		30.00	15.50	30.00	16.00	19.00	22.00	8.00	18.00	12.00
	12	DSVW 12LR	3/8"		33.00	18.00	37.00	18.00	22.00	27.00	10.00	22.00	12.00
	15	DSVW 15LR	1/2"		37.00	22.00	42.00	21.00	27.00	32.00	12.00	26.00	14.00
	18	DSVW 18LR	1/2"	N.P. 100	38.00	21.50	46.00	23.00	32.00	36.00	12.00	26.00	14.00
	22	DSVW 22LR	3/4"		45.00	28.50	58.00	28.00	36.00	46.00	17.00	32.00	16.00
	28	DSVW 28LR	1"		48.00	31.50	64.00	32.00	41.00	50.00	22.00	39.00	18.00
	35	DSVW 35LR	1 1/4"		57.00	35.50	76.00	37.00	50.00	60.00	27.00	49.00	20.00
	42	DSVW 42LR	1 1/2"		63.00	40.00	85.00	42.00	60.00	70.00	32.00	55.00	22.00
S Heavy	6	DSVW 06LR	1/4"	N.P. 400	31.00	16.50	30.00	16.00	17.00	22.00	8.00	18.00	12.00
	8	DSVW 08LR	1/4"		31.00	16.50	30.00	16.00	19.00	22.00	8.00	18.00	12.00
	10	DSVW 10LR	3/8"		35.00	18.50	37.00	18.00	22.00	27.00	10.00	22.00	12.00
	12	DSVW 12LR	3/8"		35.00	18.50	37.00	18.00	24.00	27.00	10.00	22.00	12.00
	14	DSVW 14LR	1/2"		41.00	23.00	42.00	21.00	27.00	32.00	12.00	26.00	14.00
	16	DSVW 16LR	1/2"	41.00	22.50	46.00	23.00	30.00	36.00	12.00	26.00	14.00	
	20	DSVW 20LR	3/4"	49.00	27.50	58.00	28.00	36.00	46.00	17.00	32.00	16.00	
	25	DSVW 25LR	1"	N.P. 250	55.00	31.00	64.00	32.00	46.00	50.00	22.00	39.00	18.00
	30	DSVW 30LR	1 1/4"		63.00	36.50	76.00	37.00	50.00	60.00	27.00	49.00	20.00
	38	DSVW 38LR	1 1/2"		72.00	41.00	85.00	42.00	60.00	70.00	32.00	55.00	22.00

NB : FOR INCH O.D. AND NOMINAL BORE O.D. FITTINGS KINDLY CONTACT US.

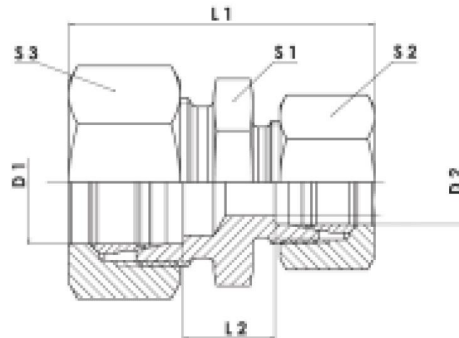
GR - REDUCER UNION



Series	Tube OD		J. J. Part No.	Pressure	L1	L2	S1	S2	S3
	D1	D2							
LL Very Light	6	4	GR 06-04LL	N.P. 100	32.00	10.50	11.00	10.00	12.00
	8	4	GR 08-04LL		34.00	12.50	12.00	10.00	14.00
	8	6	GR 08-06LL		34.00	11.00	12.00	12.00	14.00
L Light	8	6	GR 08-06L	N.P. 315	40.00	11.00	14.00	14.00	17.00
	10	6	GR 10-06L		41.00	12.00	17.00	14.00	19.00
	10	8	GR 10-08L		41.00	12.00	17.00	17.00	19.00
	12	6	GR 12-06L		42.00	13.00	19.00	14.00	22.00
	12	8	GR 12-08L		42.00	13.00	19.00	17.00	22.00
	12	10	GR 12-10L		43.00	14.00	19.00	19.00	22.00
	15	10	GR 15-10L		45.00	15.00	24.00	19.00	27.00
	15	12	GR 15-12L		45.00	15.00	24.00	22.00	27.00
	18	10	GR 18-10L		46.00	15.50	27.00	19.00	32.00
	18	12	GR 18-12L	46.00	15.50	27.00	22.00	32.00	
	18	15	GR 18-15L	48.00	16.50	27.00	27.00	32.00	
	22	12	GR 22-12L	N.P. 160	48.00	17.50	32.00	22.00	36.00
	22	15	GR 22-15L		50.00	18.50	32.00	27.00	36.00
	22	18	GR 22-18L		50.00	18.00	32.00	32.00	36.00
	28	18	GR 28-18L		52.00	19.00	41.00	32.00	41.00
	28	22	GR 28-22L		54.00	21.00	41.00	36.00	41.00
	35	22	GR 35-22L		59.00	21.00	46.00	36.00	50.00
	35	28	GR 35-28L		59.00	21.00	46.00	41.00	50.00
42	35	GR 42-35L	66.00		21.50	55.00	50.00	60.00	

NB : FOR INCH O.D. AND NOMINAL BORE O.D. FITTINGS KINDLY CONTACT US.

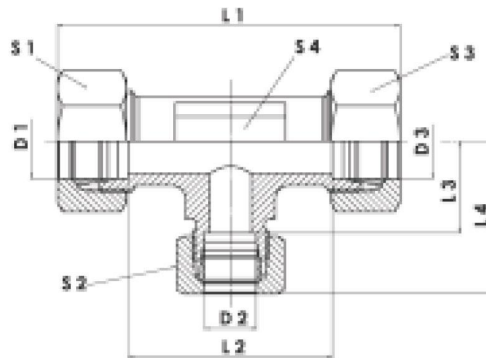
GR - REDUCER UNION



Series	Tube OD		J. J. Part No.	Pressure	L1	L2	S1	S2	S3
	D1	D2							
S Heavy	8	6	GR 08-06S	N.P. 630	47.00	18.00	17.00	17.00	19.00
	10	6	GR 10-06S		48.00	17.50	19.00	17.00	22.00
	10	8	GR 10-08S		48.00	17.50	19.00	19.00	22.00
	12	6	GR 12-06S		50.00	19.50	22.00	17.00	24.00
	12	8	GR 12-08S		50.00	19.50	22.00	19.00	24.00
	12	10	GR 12-10S		51.00	19.00	22.00	22.00	24.00
	14	10	GR 14-10S		54.00	20.50	24.00	22.00	27.00
	14	12	GR 14-12S		54.00	20.50	24.00	24.00	27.00
	16	10	GR 16-10S	N.P. 400	54.00	20.00	27.00	22.00	30.00
	16	12	GR 16-12S		54.00	20.00	27.00	24.00	30.00
	16	14	GR 16-14S		57.00	21.50	27.00	27.00	30.00
	20	10	GR 20-10S		60.00	22.00	32.00	22.00	36.00
	20	12	GR 20-12S		60.00	22.00	32.00	24.00	36.00
	20	16	GR 20-16S		63.00	23.00	32.00	30.00	36.00
	25	16	GR 25-16S		68.00	25.50	41.00	30.00	46.00
	25	20	GR 25-20S		71.00	25.50	41.00	36.00	46.00
	30	20	GR 30-20S		74.00	26.00	46.00	36.00	50.00
	30	25	GR 30-25S		77.00	26.50	46.00	46.00	50.00
38	30	GR 38-30S	N.P. 315	87.00	29.50	55.00	50.00	60.00	

NB : FOR INCH O.D. AND NOMINAL BORE O.D. FITTINGS KINDLY CONTACT US.

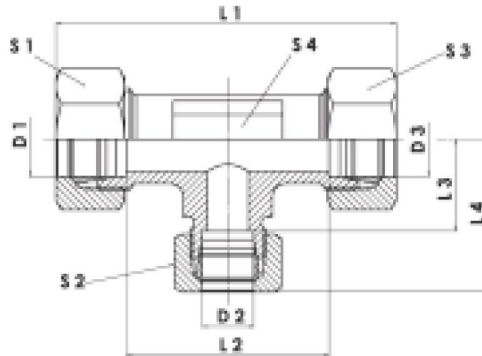
TR - REDUCER UNION TEE



Series	Tube OD			J. J. Part No.	Pressure	L1	L2	L3	L4	S1	S2	S3	S4
	D1	D2	D3										
L Light	6	8	6	TR 06-08-06L	N.P. 315	58.00	28.00	14.00	29.00	14.00	17.00	14.00	14.00
	6	10	6	TR 06-10-06L		60.00	30.00	15.00	30.00	14.00	19.00	14.00	17.00
	8	6	8	TR 08-06-08L		58.00	28.00	14.00	29.00	17.00	14.00	17.00	14.00
	8	10	8	TR 08-10-08L		60.00	30.00	15.00	30.00	17.00	19.00	17.00	17.00
	8	12	8	TR 08-12-08L		64.00	34.00	17.00	32.00	17.00	22.00	17.00	17.00
	10	6	10	TR 10-06-10L		60.00	30.00	15.00	30.00	19.00	14.00	19.00	17.00
	10	8	10	TR 10-08-10L		60.00	30.00	15.00	30.00	19.00	17.00	19.00	17.00
	10	10	6	TR 10-10-06L		60.00	30.00	15.00	30.00	19.00	19.00	14.00	17.00
	10	12	10	TR 10-12-10L		64.00	42.00	17.00	32.00	19.00	22.00	19.00	17.00
	10	15	10	TR 10-15-10L		72.00	42.00	21.00	36.00	19.00	27.00	19.00	19.00
	12	6	8	TR 12-06-08L		64.00	34.00	17.00	32.00	22.00	14.00	17.00	17.00
	12	6	12	TR 12-06-12L		64.00	34.00	17.00	32.00	22.00	14.00	22.00	17.00
	12	8	8	TR 12-08-08L		64.00	34.00	17.00	32.00	22.00	14.00	14.00	17.00
	12	8	12	TR 12-08-12L		64.00	34.00	17.00	32.00	22.00	17.00	22.00	17.00
	12	10	10	TR 12-10-10L		64.00	34.00	17.00	32.00	22.00	19.00	19.00	17.00
	12	10	12	TR 12-10-12L		64.00	34.00	17.00	32.00	22.00	19.00	22.00	17.00
	12	12	8	TR 12-12-08L		64.00	34.00	17.00	32.00	22.00	22.00	17.00	17.00
	12	12	10	TR 12-12-10L		64.00	34.00	17.00	32.00	22.00	22.00	19.00	17.00
	12	15	12	TR 12-15-12L		72.00	42.00	21.00	36.00	22.00	27.00	22.00	19.00
	12	18	12	TR 12-18-12L		78.00	48.00	24.00	40.00	22.00	32.00	22.00	24.00
	15	6	15	TR 15-06-15L		72.00	42.00	21.00	36.00	27.00	14.00	27.00	19.00
	15	8	15	TR 15-08-15L		72.00	42.00	21.00	36.00	27.00	17.00	27.00	19.00
	15	10	15	TR 15-10-15L		72.00	42.00	21.00	36.00	27.00	19.00	27.00	19.00
	15	12	12	TR 15-12-12L		72.00	42.00	21.00	36.00	27.00	22.00	22.00	19.00
	15	12	15	TR 15-12-15L		72.00	42.00	21.00	36.00	27.00	22.00	27.00	19.00
	15	12	22	TR 15-12-22L		88.00	58.00	27,5	36.00	27.00	22.00	36.00	27.00
	15	15	8	TR 15-15-08L		72.00	42.00	21.00	36.00	27.00	27.00	17.00	19.00
	15	15	10	TR 15-15-10L		72.00	42.00	21.00	36.00	27.00	27.00	19.00	19.00
15	15	12	TR 15-15-12L	72.00	42.00	21.00	36.00	27.00	27.00	22.00	19.00		
15	18	15	TR 15-18-15L	78.00	48.00	23,5	40.00	27.00	32.00	27.00	24.00		

NB : FOR INCH O.D. AND NOMINAL BORE O.D. FITTINGS KINDLY CONTACT US.

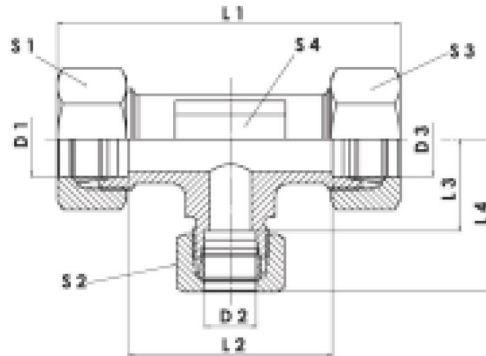
TR - REDUCER UNION TEE



Series	Tube OD			J. J. Part No.	Pressure	L1	L2	L3	L4	S1	S2	S3	S4
	D1	D2	D3										
L Light	18	8	18	TR 18-08-18L	N.P. 315	80.00	47.00	24.00	39.00	32.00	17.00	32.00	24.00
	18	10	10	TR 18-10-10L		79.00	47.50	24.00	39.00	32.00	19.00	19.00	24.00
	18	10	18	TR 18-10-18L		80.00	47.00	24.00	39.00	32.00	19.00	32.00	24.00
	18	12	18	TR 18-12-18L		80.00	47.00	24.00	39.00	32.00	22.00	32.00	24.00
	18	12	12	TR 18-12-12L		80.00	48.00	24.00	39.00	32.00	22.00	22.00	24.00
	18	12	22	TR 18-12-22L		88.00	56.00	28.00	43.00	32.00	22.00	36.00	27.00
	18	15	15	TR 18-15-15L		87.00	48.00	24.00	39.00	32.00	27.00	27.00	24.00
	18	15	18	TR 18-15-18L		80.00	47.00	24.00	39.00	32.00	27.00	32.00	24.00
	18	18	10	TR 18-18-10L		79.00	47.50	23.50	40.00	32.00	32.00	19.00	24.00
	18	18	12	TR 18-18-12L		80.00	48.00	24.00	40.00	32.00	32.00	22.00	24.00
	18	22	18	TR 18-22-18L		80.00	47.00	27.50	44.00	32.00	36.00	32.00	27.00
	22	8	22	TR 22-08-22L		N.P. 160	88.00	56.00	28.00	43.00	36.00	17.00	36.00
	22	10	22	TR 22-10-22L	88.00		56.00	28.00	43.00	36.00	19.00	36.00	27.00
	22	12	22	TR 22-12-22L	88.00		56.00	28.00	43.00	36.00	22.00	36.00	27.00
	22	15	15	TR 22-15-15L	87.00		55.50	28.00	43.00	36.00	27.00	27.00	27.00
	22	15	22	TR 22-15-22L	88.00		55.00	28.00	43.00	36.00	27.00	36.00	27.00
	22	18	18	TR 22-18-18L	88.00		55.00	27.50	44.00	36.00	32.00	32.00	27.00
	22	18	22	TR 22-18-22L	88.00		55.00	27.50	44.00	36.00	32.00	36.00	27.00
	22	22	10	TR 22-22-10L	87.00		55.00	27.50	44.00	36.00	36.00	19.00	27.00
	22	22	12	TR 22-22-12L	87.00		55.00	27.50	44.00	36.00	36.00	22.00	27.00
	22	22	18	TR 22-22-18L	88.00		55.00	27.50	44.00	36.00	36.00	32.00	27.00
	22	28	22	TR 22-28-22L	92.00		61.00	30.50	47.00	36.00	41.00	36.00	36.00
	28	10	28	TR 28-10-28L	94.00		61.00	31.00	46.00	41.00	19.00	41.00	36.00
	28	12	28	TR 28-12-28L	94.00		61.00	31.00	46.00	41.00	22.00	41.00	36.00
	28	15	28	TR 28-15-28L	94.00		61.00	31.00	46.00	41.00	27.00	41.00	36.00
	28	18	18	TR 28-18-18L	94.00		61.00	30.50	47.00	41.00	32.00	32.00	36.00
	28	18	28	TR 28-18-28L	94.00		61.00	30.50	47.00	41.00	32.00	41.00	36.00
	28	22	22	TR 28-22-22L	94.00		61.00	30.50	47.00	41.00	36.00	36.00	36.00
	28	22	28	TR 28-22-28L	94.00		61.00	30.50	47.00	41.00	36.00	41.00	36.00
	28	28	18	TR 28-28-18L	94.00	61.00	30.50	47.50	41.00	41.00	32.00	36.00	
28	28	22	TR 28-28-22L	94.00	61.00	30.50	47.50	41.00	41.00	36.00	36.00		
28	35	28	TR 28-35-28L	94.00	61.00	-	-	41.00	50.00	41.00	41.00		

NB : FOR INCH O.D. AND NOMINAL BORE O.D. FITTINGS KINDLY CONTACT US.

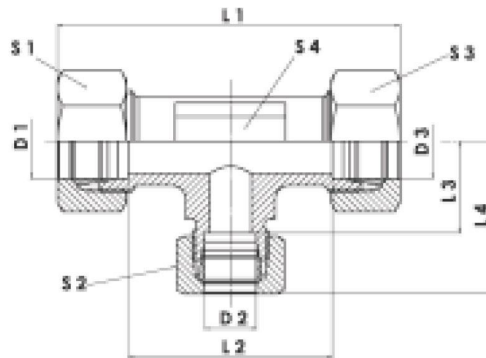
TR - REDUCER UNION TEE



Series	Tube OD			J. J. Part No.	Pressure	L1	L2	L3	L4	S1	S2	S3	S4
	D1	D2	D3										
L Light	35	10	35	TR 35-10-35L	N.P. 160	112.00	34.50	38.00	53.00	50.00	19.00	50.00	41.00
	35	12	35	TR 35-12-35L		112.00	34.50	38.00	53.00	50.00	22.00	50.00	41.00
	35	15	35	TR 35-15-35L		112.00	34.50	-	-	50.00	27.00	50.00	41.00
	35	18	35	TR 35-18-35L		112.00	34.50	37.50	53.50	50.00	32.00	50.00	41.00
	35	22	35	TR 35-22-35L		112.00	34.50	37.50	53.50	50.00	36.00	50.00	41.00
	35	22	28	TR 35-22-28L		112.00	34.50	37.50	53.50	50.00	36.00	41.00	41.00
	35	28	35	TR 35-28-35L		112.00	34.50	37.50	54.50	50.00	41.00	50.00	41.00
	35	35	15	TR 35-35-15L		112.00	34.50	-	-	50.00	50.00	27.00	41.00
	35	42	35	TR 35-42-15L		112.00	34.50	40.00	-	50.00	60.00	50.00	50.00
	42	12	42	TR 42-12-42L		126.00	80.00	44.00	59.00	60.00	22.00	60.00	50.00
	42	15	42	TR 42-15-42L		126.00	80.00	-	-	60.00	27.00	60.00	50.00
	42	18	42	TR 42-18-42L		126.00	80.00	43.50	60.00	60.00	32.00	60.00	50.00
	42	22	42	TR 42-22-42L		126.00	80.00	43.50	60.00	60.00	36.00	60.00	50.00
	42	28	42	TR 42-28-42L		126.00	80.00	43.50	60.50	60.00	41.00	60.00	50.00
	42	35	42	TR 42-35-42L		126.00	80.00	-	-	60.00	50.00	60.00	50.00
S Heavy	8	6	8	TR 08-06-08S	N.P. 630	64.00	34.00	-	-	19.00	17.00	19.00	14.00
	10	6	10	TR 10-06-10S		68.00	35.00	18.00	33.00	22.00	17.00	22.00	17.00
	10	8	10	TR 10-08-10S		68.00	35.00	-	-	22.00	19.00	22.00	17.00
	12	6	12	TR 12-06-12S		76.00	43.00	22.00	37.00	24.00	17.00	24.00	17.00
	12	8	8	TR 12-08-08S		76.00	43.00	22.00	37.00	24.00	19.00	19.00	17.00
	12	8	12	TR 12-08-12S		76.00	43.00	22.00	37.00	24.00	19.00	24.00	17.00
	12	10	12	TR 12-10-12S		76.00	43.00	21.50	38.00	24.00	22.00	24.00	17.00
	12	16	12	TR 12-16-12S		76.00	43.00	24.50	43.00	24.00	30.00	24.00	24.00
	14	8	14	TR 14-08-14S		80.00	44.00	-	-	27.00	19.00	27.00	19.00
	14	10	14	TR 14-10-14S	80.00	44.00	22.50	39.00	27.00	22.00	27.00	19.00	
	N.P. 400	16	6	16	TR 16-06-16S	86.00	49.00	26.00	41.00	30.00	17.00	30.00	24.00
		16	8	16	TR 16-08-16S	86.00	49.00	26.00	41.00	30.00	19.00	30.00	24.00
		16	10	16	TR 16-10-16S	86.00	49.00	25.50	42.00	30.00	22.00	30.00	24.00
		16	12	16	TR 16-12-16S	86.00	49.00	25.50	42.00	30.00	24.00	30.00	24.00
		16	14	16	TR 16-14-16S	86.00	49.00	-	-	30.00	27.00	30.00	24.00
16		20	16	TR 16-20-16S	86.00	49.00	26.50	48.00	30.00	36.00	30.00	27.00	

NB : FOR INCH O.D. AND NOMINAL BORE O.D. FITTINGS KINDLY CONTACT US.

TR - REDUCER UNION TEE

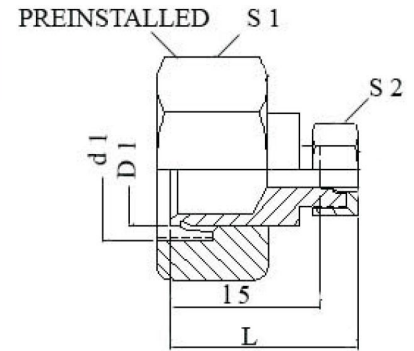


Series	Tube OD			J. J. Part No.	Pressure	L1	L2	L3	L4	S1	S2	S3	S4
	D1	D2	D3										
S Heavy	20	8	20	TR 20-08-20S	N.P. 400	96.00	53.00	-	-	36.00	19.00	36.00	27.00
	20	10	20	TR 20-10-20S		96.00	53.00	29.50	46.00	36.00	22.00	36.00	27.00
	20	12	20	TR 20-12-20S		96.00	53.00	29.50	46.00	36.00	24.00	36.00	27.00
	20	14	20	TR 20-14-20S		96.00	53.00	28.00	46.00	36.00	27.00	36.00	27.00
	20	16	20	TR 20-16-20S		96.00	53.00	28.50	47.00	36.00	30.00	36.00	27.00
	20	25	20	TR 20-25-20S		96.00	53.00	30.00	54.00	36.00	46.00	36.00	36.00
	25	10	25	TR 25-10-25S		108.00	60.00	-	-	46.00	22.00	46.00	36.00
	25	12	25	TR 25-12-25S		108.00	60.00	34.50	50.50	46.00	24.00	46.00	36.00
	25	14	25	TR 25-14-25S		108.00	60.00	-	-	46.00	27.00	46.00	36.00
	25	16	25	TR 25-16-25S		108.00	60.00	33.50	52.00	46.00	30.00	46.00	36.00
	25	20	25	TR 25-20-25S		108.00	60.00	31.50	53.00	46.00	36.00	46.00	36.00
	25	30	25	TR 25-30-25S		108.00	60.00	35.50	62.00	46.00	50.00	46.00	41.00
	30	12	30	TR 30-12-30S		124.00	71.00	41.50	57.50	50.00	24.00	50.00	41.00
	30	16	30	TR 30-16-30S		124.00	71.00	40.50	59.00	50.00	30.00	50.00	41.00
	30	20	30	TR 30-20-30S		124.00	71.00	38.50	60.00	50.00	36.00	50.00	41.00
	30	25	30	TR 30-25-30S		124.00	71.00	37.00	61.00	50.00	46.00	50.00	41.00
	30	38	30	TR 30-38-30S		124.00	71.00	41.00	-	50.00	60.00	50.00	50.00
	38	16	38	TR 38-16-38S		144.00	82.00	48.50	66.50	60.00	30.00	60.00	50.00
	38	20	38	TR 38-20-38S		144.00	82.00	46.50	68.00	60.00	36.00	60.00	50.00
	38	25	38	TR 38-25-38S		144.00	82.00	45.00	69.00	60.00	46.00	60.00	50.00
38	30	38	TR 38-30-38S	144.00	82.00	-	-	60.00	50.00	60.00	50.00		

NB : FOR INCH O.D. AND NOMINAL BORE O.D. FITTINGS KINDLY CONTACT US.

KOR - TUBE REDUCER LL & L SERIES

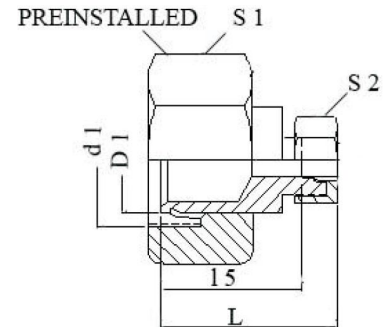
Series	J. J. Part No.	Tube O.D.		d1	L	I5	S1	S2
		D1	D2					
LL Very Light	KOR 06/04LL	6	4	M10 X 1	29.00	19.00	12.00	10.00
	KOR 06/05LL		5		29.00	17.50	12.00	12.00
	KOR 08/04LL	8	4	M12 X 1	29.00	19.00	14.00	10.00
	KOR 08/05LL		5		29.00	17.50	14.00	12.00
	KOR 08/06LL		6		29.00	17.50	14.00	12.00
L Light	KOR 08/06L	8	6	M14 X 1.5	38.00	23.50	17.00	14.00
	KOR 10/06L	10	6	M16 X 1.5	38.00	23.50	19.00	14.00
	KOR 10/08L		8		38.00	23.50	19.00	17.00
	KOR 12/06L	12	6	M18 X 1.5	38.00	23.50	22.00	14.00
	KOR 12/08L		8		38.00	23.50	22.00	17.00
	KOR 12/10L		10		39.00	24.50	22.00	19.00
	KOR 15/06L	15	6	M22 X 1.5	38.00	23.50	27.00	14.00
	KOR 15/08L		8		38.00	23.50	27.00	17.00
	KOR 15/10L		10		39.00	24.50	27.00	19.00
	KOR 15/12L		12		39.00	24.50	27.00	22.00
	KOR 18/06L	18	6	M26 X 1.5	39.00	24.50	32.00	14.00
	KOR 18/08L		8		39.00	24.50	32.00	17.00
	KOR 18/10L		10		40.00	25.50	32.00	19.00
	KOR 18/12L		12		40.00	25.50	32.00	22.00
	KOR 18/15L		15		42.00	26.50	32.00	27.00
	KOR 22/06L	22	6	M30 X 2	40.00	25.50	36.00	14.00
	KOR 22/08L		8		40.00	25.50	36.00	17.00
	KOR 22/10L		10		41.00	26.50	36.00	19.00
	KOR 22/12L		12		41.00	26.50	36.00	22.00
	KOR 22/15L		15		43.00	27.50	36.00	27.00
	KOR 22/18L		18		43.00	27.00	36.00	32.00
	KOR 28/06L	28	6	M36 X 2	41.00	26.50	41.00	14.00
	KOR 28/08L		8		41.00	26.50	41.00	17.00
	KOR 28/10L		10		42.00	27.50	41.00	19.00
	KOR 28/12L		12		42.00	27.50	41.00	22.00
	KOR 28/15L		15		44.00	28.50	41.00	27.00
	KOR 28/18L		18		44.00	28.00	41.00	32.00
	KOR 28/22L		22		46.00	30.00	41.00	36.00
	KOR 35/06L	35	6	M45 X 2	46.00	31.50	50.00	14.00
	KOR 35/08L		8		46.00	31.50	50.00	17.00
	KOR 35/10L		10		47.00	32.50	50.00	19.00
	KOR 35/12L		12		47.00	32.50	50.00	22.00
	KOR 35/15L		15		49.00	33.50	50.00	27.00
	KOR 35/18L		18		49.00	33.00	50.00	32.00
	KOR 35/22L		22		51.00	35.00	50.00	36.00
	KOR 35/28		28		52.00	35.00	50.00	41.00
	KOR 42/10L	42	10	M52 X 2	48.00	33.50	60.00	19.00
	KOR 42/12L		12		48.00	33.50	60.00	22.00
	KOR 42/15L		15		50.00	34.50	60.00	27.00
	KOR 42/18L		18		50.00	34.00	60.00	32.00
	KOR 42/22L		22		52.00	36.00	60.00	36.00
	KOR 42/28L		28		53.00	36.00	60.00	41.00
KOR 42/35L	35		57.00		35.00	60.00	50.00	



**NB : FOR INCH O.D.
AND NOMINAL BORE
O.D. FITTINGS KINDLY
CONTACT US.**

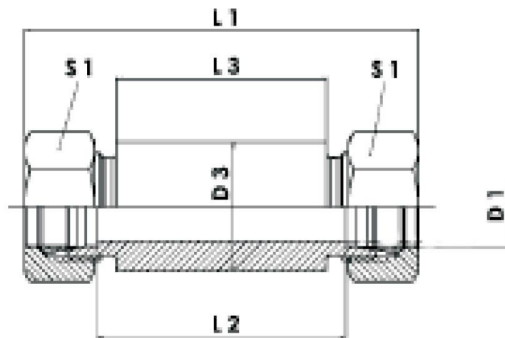
KOR - TUBE REDUCER S SERIES

Series	J. J. Part No.	Tube O.D.		d1	L	I5	S1	S2
		D1	D2					
S HEAVY	KOR 08/06S	8	6	M16 X 1.5	40.00	25.00	19.00	17.00
	KOR 10/06S	10	6	M18 X 1.5	41.00	26.00	22.00	17.00
	KOR 10/08S		8		41.00	26.00	22.00	19.00
	KOR 12/06S	12	6	M20 X 1.5	42.00	27.00	24.00	17.00
	KOR 12/08S		8		42.00	27.00	24.00	19.00
	KOR 12/10S		10		43.00	26.50	24.00	22.00
	KOR 14/06S	14	6	M22 X 1.5	44.00	29.00	27.00	17.00
	KOR 14/08S		8		44.00	29.00	27.00	19.00
	KOR 14/10S		10		45.00	28.50	27.00	22.00
	KOR 14/12S		12		45.00	28.50	27.00	24.00
	KOR 16/06S	16	6	M24 X 1.5	44.00	29.00	30.00	17.00
	KOR 16/08S		8		44.00	29.00	30.00	19.00
	KOR 16/10S		10		45.00	28.50	30.00	22.00
	KOR 16/12S		12		45.00	28.50	30.00	24.00
	KOR 16/14S		14		48.00	30.00	30.00	27.00
	KOR 20/06S	20	6	M30 X 2	49.00	34.00	36.00	17.00
	KOR 20/08S		8		49.00	34.00	36.00	19.00
	KOR 20/10S		10		50.00	33.50	36.00	22.00
	KOR 20/12S		12		50.00	33.50	36.00	24.00
	KOR 20/14S		14		53.00	35.00	36.00	27.00
	KOR 20/16S		16		53.00	34.50	36.00	30.00
	KOR 25/06S	25	6	M36 X 2	52.00	37.00	46.00	17.00
	KOR 25/08S		8		52.00	37.00	46.00	19.00
	KOR 25/10S		10		53.00	36.50	46.00	22.00
	KOR 25/12S		12		53.00	36.50	46.00	24.00
	KOR 25/14S		14		55.00	37.00	46.00	27.00
	KOR 25/16S		16		55.00	36.50	46.00	30.00
	KOR 25/20S		20		59.00	37.50	46.00	36.00
	KOR 30/06S	30	6	M42 X 2	54.00	39.00	50.00	17.00
	KOR 30/08S		8		54.00	39.00	50.00	19.00
	KOR 30/10S		10		55.00	38.50	50.00	22.00
	KOR 30/12S		12		55.00	38.50	50.00	24.00
	KOR 30/14S		14		58.00	40.00	50.00	27.00
	KOR 30/16S		16		58.00	39.50	50.00	30.00
	KOR 30/20S		20		61.00	39.50	50.00	36.00
	KOR 30/25S		25		64.00	40.00	50.00	46.00
	KOR 38/06S	38	6	M52 X 2	58.00	43.00	60.00	17.00
	KOR 38/08S		8		58.00	43.00	60.00	19.00
	KOR 38/10S		10		59.00	42.50	60.00	22.00
	KOR 38/12S		12		59.00	42.50	60.00	24.00
KOR 38/14S	14		62.00		44.00	60.00	27.00	
KOR 38/16S	16		62.00		43.50	60.00	30.00	
KOR 38/20S	20		65.00		43.50	60.00	36.00	
KOR 38/25S	25		68.00		44.00	60.00	46.00	
KOR 38/30S	30		71.00		44.50	60.00	50.00	
KOR 30-400/25	30		25		M45 X 2	74.00	50.00	55.00
KOR 38-400/25	38	25	M56 X 2	80.00	56.00	70.00	46.00	



**NB : FOR INCH O.D.
AND NOMINAL BORE
O.D. FITTINGS KINDLY
CONTACT US.**

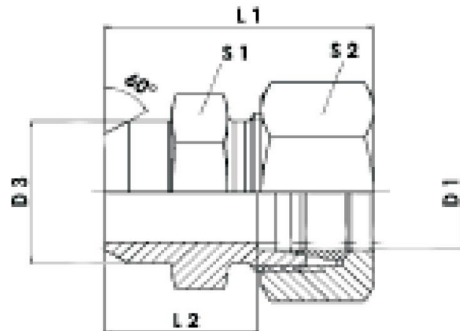
ESV - WELDABLE BULKHEAD UNION



Series	Tube OD (D1)	J. J. Part No.	Pressure	D3	L1	L2	L3	S1	
L Light	6	ESV 06L	N. P. 250	18.00	85.00	56.00	50.00	14.00	
	8	ESV 08L		20.00	85.00	56.00	50.00	17.00	
	10	ESV 10L		22.00	87.00	58.00	50.00	19.00	
	12	ESV 12L		25.00	87.00	58.00	50.00	22.00	
	15	ESV 15L	N.P. 160	28.00	100.00	70.00	60.00	27.00	
	18	ESV 18L		32.00	101.00	69.00	60.00	32.00	
	22	ESV 22L		36.00	105.00	73.00	60.00	36.00	
	S Heavy	28	ESV 28L	N.P. 100	40.00	106.00	73.00	60.00	41.00
		35	ESV 35L		50.00	114.00	71.00	60.00	50.00
42		ESV 42L		60.00	115.00	70.00	60.00	60.00	
6		ESV 06S	N. P. 630	20.00	89.00	60.00	50.00	17.00	
8		ESV 08S		22.00	89.00	60.00	50.00	19.00	
10		ESV 10S		25.00	91.00	59.00	50.00	22.00	
12		ESV 12S		28.00	91.00	59.00	50.00	24.00	
14		ESV 14S	N. P. 400	30.00	107.00	72.00	60.00	27.00	
16		ESV 16S		36.00	107.00	71.00	60.00	30.00	
20		ESV 20S		38.00	114.00	71.00	60.00	36.00	
25	ESV 25S	N.P. 250	45.00	120.00	72.00	60.00	46.00		
30	ESV 30S		50.00	126.00	73.00	60.00	50.00		
38	ESV 38S		60.00	133.00	72.00	60.00	60.00		

NB : FOR INCH O.D. AND NOMINAL BORE O.D. FITTINGS KINDLY CONTACT US.

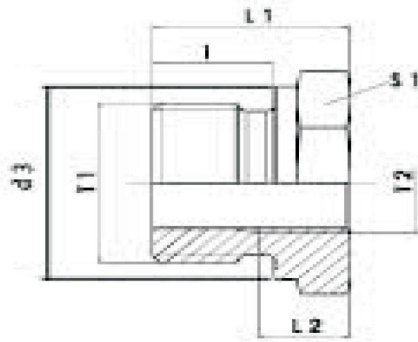
AS - WELD FITTING



Series	Tube OD (D1)	J. J. Part No.	Pressure	S1	S2	L1	L2	D3	
L Light	6	AS 06L	N.P. 250	12.00	14.00	29.00	14.00	10.00	
	8	AS 08L		14.00	17.00	31.00	16.00	12.00	
	10	AS 10L		17.00	19.00	33.00	18.00	14.00	
	12	AS 12L		19.00	22.00	33.00	18.00	16.00	
	15	AS 15L		22.00	27.00	37.00	22.00	19.00	
	18	AS 18L	N.P. 160	27.00	32.00	40.00	23.50	22.00	
	22	AS 22L		32.00	36.00	45.00	28.50	27.00	
	S Heavy	28	AS 28L	N.P. 100	41.00	41.00	47.00	30.50	32.00
		35	AS 35L		46.00	50.00	54.00	32.50	40.00
		42	AS 42L		55.00	60.00	58.00	35.00	46.00
S Heavy		6	AS 06S	N.P. 630	14.00	17.00	34.00	19.00	11.00
		8	AS 08S		17.00	19.00	36.00	21.00	13.00
		10	AS 10S		19.00	22.00	39.00	22.50	15.00
		12	AS 12S		22.00	24.00	41.00	24.50	17.00
		14	AS 14S		24.00	27.00	45.00	27.00	19.00
		16	AS 16S	N.P. 400	27.00	30.00	45.00	26.50	21.00
	20	AS 20S	32.00		36.00	51.00	29.50	26.00	
	25	AS 25S	41.00		46.00	56.00	32.00	31.00	
	S Heavy	30	AS 30S	N.P. 250	46.00	50.00	62.00	35.50	36.00
		38	AS 38S		55.00	60.00	69.00	38.00	44.00

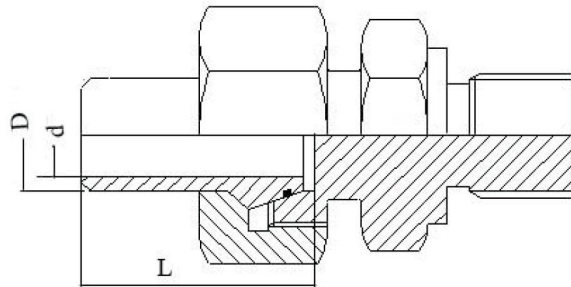
NB : FOR INCH O.D. AND NOMINAL BORE O.D. FITTINGS KINDLY CONTACT US.

RI BSPP REDUCING ADOPTER



J. J. Part No.	BSPP Thread		L1	I	S1	d3	L2
	Male T1	Female T2					
RI 1/8" X 1/4"	1/8"	1/4"	31.00	8.00	19.00	14.00	17.00
RI 1/8" X 3/8"	1/8"	3/8"	32.00	8.00	24.00	14.00	17.00
RI 1/4" X 1/8"	1/4"	1/8"	28.00	12.00	19.00	18.00	12.00
RI 1/4" X 3/8"	1/4"	3/8"	36.00	12.00	24.00	18.00	17.00
RI 1/4" X 1/2"	1/4"	1/2"	40.00	12.00	30.00	18.00	20.00
RI 1/4" X 3/4"	1/4"	3/4"	43.00	12.00	36.00	18.00	22.00
RI 3/8" X 1/4"	3/8"	1/4"	36.00	12.00	22.00	17.00	
RI 3/8" X 1/2"	3/8"	1/2"	41.00	12.00	30.00	22.00	20.00
RI 3/8" X 3/4"	3/8"	3/4"	44.00	12.00	36.00	22.00	22.00
RI 1/2" X 3/8"	1/2"	3/8"	36.00	14.00	27.00	26.00	17.00
RI 1/2" X 3/4"	1/2"	3/4"	46.00	14.00	36.00	26.00	22.00
RI 1/2" X 1 1/4"	1/2"	1 1/4"	49.00	14.00	41.00	26.00	24.50
RI 1/2" X 1"	1/2"	1"	53.00	14.00	55.00	26.00	26.50
RI 3/4" X 1/2"	3/4"	1/2"	41.00	16.00	31.00	32.00	20.00
RI 3/4" X 1"	3/4"	1"	51.00	16.00	42.00	32.00	24.50
RI 3/4" X 1 1/4"	3/4"	1 1/4"	55.00	16.00	55.00	32.00	26.50
RI 3/4" X 1 1/2"	3/4"	1 1/2"	57.00	16.00	60.00	32.00	28.50
RI 1" X 3/4"	1"	3/4"	47.00	18.00	41.00	39.00	22.00
RI 1" X 1 1/4"	1"	1 1/4"	57.00	18.00	55.00	39.00	26.50
RI 1" X 1 1/2"	1"	1 1/2"	59.00	18.00	60.00	39.00	28.50
RI 1 1/4" X 1"	1 1/4"	1"	52.00	20.00	50.00	49.00	24.50
RI 1 1/4" X 1 1/2"	1 1/4"	1 1/2"	60.00	20.00	60.00	49.00	28.50
RI 1 1/2" X 1 1/4"	1 1/2"	1 1/4"	58.00	22.00	55.00	55.00	26.50

SKA - WELD NIPPLE



Series	J. J. Part No.	Pressure	For Precision steel tube DIN 2391	O-Rings Shore Hardness 'A' approx 90	D	d	L
S HEAVY	SKA 10	N.P. 400	10 X 2	7.5 X 1.5	10.00	6.00	36.00
	SKA 12		12 X 2.5	9 X 1.5	12.00	7.00	36.00
	SKA 14		14 X 3	10 X 2	14.00	8.00	41.50
	SKA 16		16 X 3	12 X 2	16.00	10.00	44.00
	SKA 20		20 X 4	16.3 X 2.4	20.00	12.00	50.50
	SKA 25 X 5	25 X 5	20.3 X 2.4	25.00	15.00	56.00	
	SKA 25	N.P. 315	25 X 4	20.3 X 2.4	25.00	17.00	56.00
	SKA 30 X 5		30 X 5	25.3 X 2.4	30.00	20.00	64.50
	SKA 30	N.P. 250	30 X 4	25.3 X 2.4	30.00	22.00	64.50
	SKA 38 X 6	N.P. 315	38 X 6	33.3 X 2.4	38.00	26.00	74.00
	SKA 38	N.P. 250	38 X 5	33.3 X 2.4	38.00	28.00	74.00

NB : FOR INCH O.D. AND NOMINAL BORE O.D. FITTINGS KINDLY CONTACT US.

HEX HEAD PLUG

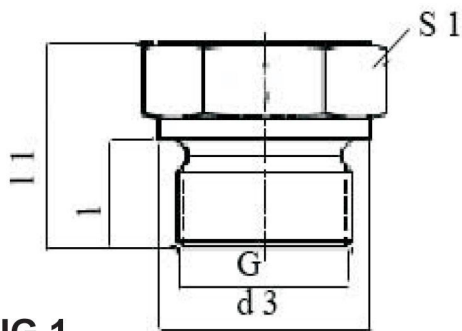


FIG 1

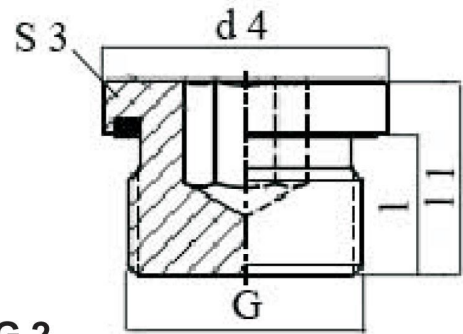


FIG 2

REFER FIG. 1

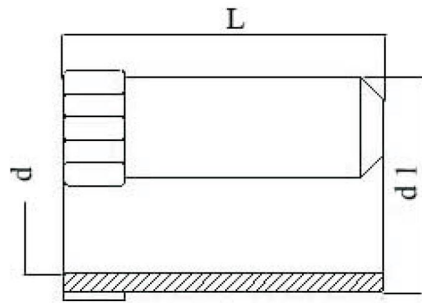
J. J. Part No.	G BSP	d3	l	l1	S1
02HP	1/8	14.00	8.00	14.50	14.00
04HP	1/4	18.00	12.00	20.00	19.00
06HP	3/8	22.00	12.00	22.50	22.00
08HP	1/2	26.00	14.00	24.00	27.00
12HP	3/4	32.00	16.00	26.00	32.00
16HP	1	39.00	16.00	27.00	41.00
20HP	1 1/4	49.00	16.00	28.00	50.00
24HP	1 1/2	55.00	16.00	30.00	55.00

SOCKET HEAD PLUG WITH ELASTOMERIC SEAL

REFER FIG. 2

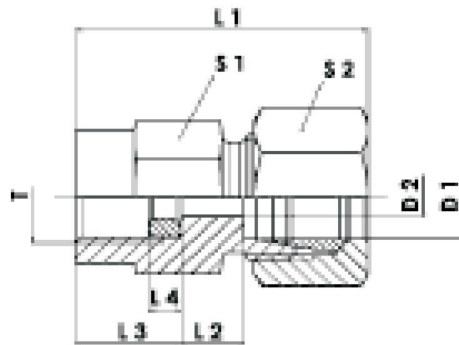
J. J. Part No.	G BSP	d4	l	l1	S3
02 VSTI - ed	G 1/8	14.00	8.00	13.00	5.00
04 VSTI - ed	G 1/4	19.00	12.00	17.00	6.00
06 VSTI - ed	G 3/8	22.00	12.00	17.00	8.00
08 VSTI - ed	G 1/2	27.00	14.00	20.00	10.00
12 VSTI - ed	G 3/4	32.00	16.00	22.00	12.00
16 VSTI - ed	G 1	40.00	16.00	24.00	17.00
20 VSTI - ed	G1 1/4	50.00	16.00	24.00	22.00
24 VSTI - ed	G1 1/2	55.00	16.00	24.00	24.00

VSH - REINFORCING RING FOR THIN WALL TUBING



Tube O.D. & Wall Thickness	J. J. Part No	Tube ID	L	d	d1
6 X 1	VSH 6 X 1	4	15.50	2.60	3.80
6 X 0.5	VSH 6 X 0.5	5	15.50	3.60	4.80
8 X 1	VSH 8 X 1	6	15.50	4.60	5.80
10 X 1.5	VSH 10 X 1.5	7	17.00	5.60	6.80
10 X 1	VSH 10 X 1	8	16.50	6.60	7.80
12 X 1.5	VSH 12 X 1.5	9	16.50	7.60	8.80
12 X 1	VSH 12 X 1	10	16.50	8.60	9.80
15 X 1.5	VSH 15 X 1.5	12	17.50	10.20	11.80
15 X 1	VSH 15 X 1	13	18.50	11.60	12.80
18 X 1.5	VSH 18 X 1.5	15	17.50	13.20	14.80
18 X 1	VSH 18 X 1	16	22.00	14.20	15.80
20 X 1	VSH 20 X 1	18	22.00	16.20	17.80
22 X 1.5	VSH 22 X 1.5	19	18.00	17.20	18.80
22 X 1	VSH 22 X 1	20	18.00	18.20	19.80
25 X 1.5	VSH 25 X 1.5	22	23.50	20.20	21.80
28 X 2	VSH 28 X 2	24	18.00	22.20	23.80
28 X 1.5	VSH 28 X 1.5	25	18.00	23.20	24.80
35 X 2	VSH 35 X 2	31	22.50	28.80	30.80
42 X 2	VSH 42 X 2	38	23.50	35.80	37.80

MAV - PRESSURE GAUGE CONNECTOR



Series	Tube OD (D1)	J. J. Part No.	Female BSPP Thread T	Pressure	D2	L1	L2	L3	S1	S2	L4
LL VERY LIGHT	4	MAV 04LLR	1/4"	N.P. 100	2.50	33.00	8.50	14.50	19.00	10.00	4.50
L Light	6	MAV 06LR	1/8"	N.P. 250	2.50	37.00	7.50	14.50	19.00	14.00	4.50
	8	MAV 08LR	1/4"		5.50	37.00	7.50	14.50	19.00	17.00	4.50
	10	MAV 10LR	1/4"		5.50	38.00	8.50	14.50	19.00	19.00	4.50
	12	MAV 12LR	3/8"		5.50	38.00	8.50	14.50	19.00	22.00	4.50
S Heavy	6	MAV 06SR	1/4"	N.P. 630	3.50	46.00	11.00	20.00	27.00	17.00	5.00
	8	MAV 08SR	1/4"		3.50	46.00	11.00	20.00	27.00	19.00	5.00
	10	MAV 10SR	3/8"		7.00	47.00	10.50	20.00	27.00	22.00	5.00
	12	MAV 12SR	3/8"		7.00	47.00	10.50	20.00	27.00	24.00	5.00

NB : FOR INCH O.D. AND NOMINAL BORE O.D. FITTINGS KINDLY CONTACT US.

OTHER PRODUCTS



**TWIN FERRULE FITTINGS /
DOUBLE FERRULE FITTINGS**



37 DEGREE FLARE FITTINGS



PIPE FITTINGS



SOCKET WELD FITTINGS



FLANGES



VALVES

OTHER PRODUCTS



PIPE CLAMP / TUBE CLAMP



HOSE END FITTINGS



QUICK RELEASE COUPLING



**Shop No. 5, Gokul Apartments, Kevni Pada, Off. S.V. Road,
Jogeshwari (West), Mumbai - 400102 INDIA**

PHONE : +91 (022) 26793194

EMAIL : sunil@pioneerfitting.com , sales@pioneerfitting.com

Fax : +91 (022) 26798824