

| S.NO. | DESCRIPTION | QTY. | MATERIAL |
|-------|----------------------|------|--------------|
| 14 | NON ROTATING VEE TIP | 3 | A564-630 |
| 13 | WASHER | 3 | A479-316 |
| 12 | DUST CAP | 3 | PLASTIC LD. |
| 11 | LOCK PIN | 3 | A479-316 |
| 10 | HANDLE | 3 | A479-316 |
| 9 | GRUB SCREW | 3 | STEEL |
| 8 | LOCK NUT | 3 | A479-316 |
| 7 | SPINDLE | 3 | A479-316 |
| 6 | PACKING WASHER | 3 | A479-316 |
| 5 | PACKING | 3 | PTFE/GRAFOIL |
| 4 | WASHER | 3 | A479-316 |
| 3 | GLAND RETAINER | 3 | A479-316 |
| 2 | BONNET | 3 | A479-316 |
| 1 | BODY | 1 | A479-316 |

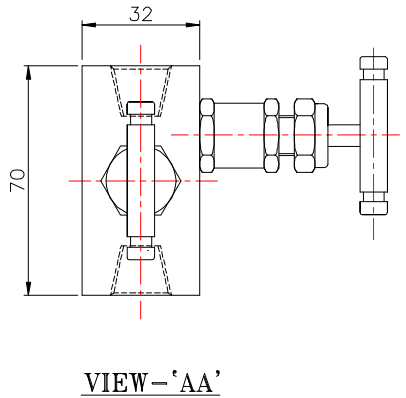
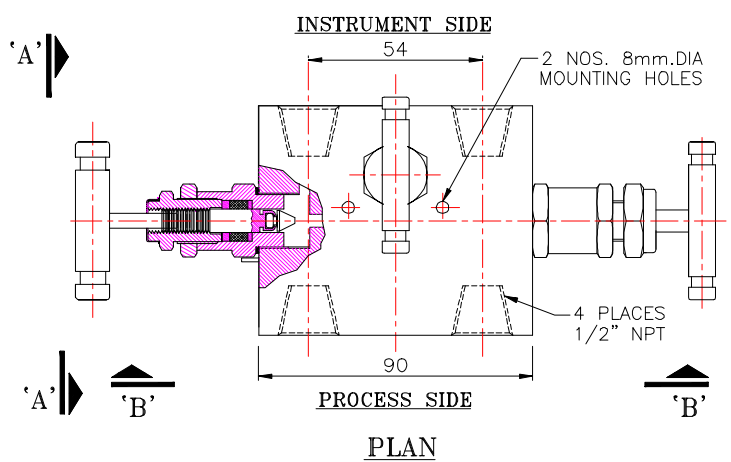
MATERIAL OF CONSTRUCTIONS

PIONEER INDUSTRIES
 3 VALVE MANIFOLD R-TYPE PIPE TO PIPE CONNECTION DESIGN FOR CONNECTING SYSTEM IMPULSE LINES & TRANSMITTERS. THIS MANIFOLD CONSISTS TO 1/2" NPT FEMALE CONNECTIONS ON 54mm. (2-1/8") CENTERS, ONE EQUALIZER VALVE AND TWO BLOCK VALVE.

FEATURES :
 316 S.S. BODY CONSTRUCTION FOR SUPERIOR CORROSION RESISTANCE. NON ROTATING VEE TIP PREVENTS GALLING & PROMOTES REPETITIVE SHUT-OFF. OPTIONAL GRAPHOIL PACKING MATERIAL IS AVAILABLE FOR HIGH TEMP. RATING 1000°F @6000 PSI

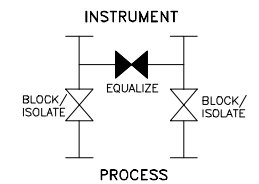
TESTING:
 PNEUMATIC TEST:- EACH VALVE IS TESTED WITH NITROGEN AT 100 Psi IN ACCORDANCE WITH MSS-SP-61 FOR SEAT & PACKING LEAKAGE.
 HYDRO TEST:- PERFORMED WITH PURE WATER IN ACCORDANCE WITH MSS-SP-61. BODY TESTED AT 1.5 TIMES & SEAT LEAKAGE TESTED AT 1.1 TIMES OF THE WORKING PRESSURE

DESIGN STANDARD :
 PRESSURE & TEMPERATURE RATING ARE SELECTED FROM ANSI B16.34 STANDARD CLASS VALVES BASED ON ANSI B16-CLASS 2500. OPTIONAL SOUR GAS SERVICE CONFIRMS TO NACE STD. MR-01-75



| TECHNICAL DATA | | | | | |
|----------------|-------------------------|--|---|-----------|---------|
| Seat | Pr. Rat. | Temp.Rat. | | Cv | Orifice |
| METAL SEAT | 6000 PSI (41300 kpa) | PTFE -20 to 250° F (-29° to 121°C) | GRAFOIL -20 to 600° F (-29° to 315°C) | 0.52 max. | 4.8 mm. |

NOTE:-1) DIMENSIONS ARE IN MM.FOR REFERENCE ONLY,SUBJECT TO CHANGE.
 2) APPROXIMATE WEIGHT = 1.9 KGS. (4.2 LBS)



| REV. | DESCRIPTION | BY | DATE |
|--|-------------|--------------------------|------|
| REVISION | | | |
| TITLE:- 3 VALVE MANIFOLD (PIPE TO PIPE) | | | |
| DRN. | | SCALE - NTS. | |
| CHD. | RJS | DATE - 02/01/2010 | |
| APPD. | | DRG.NO.: 3VM-SS-8-R | RO |
| PIONEER INDUSTRIES | | | |
| ISO 9001 -02008 | | | |